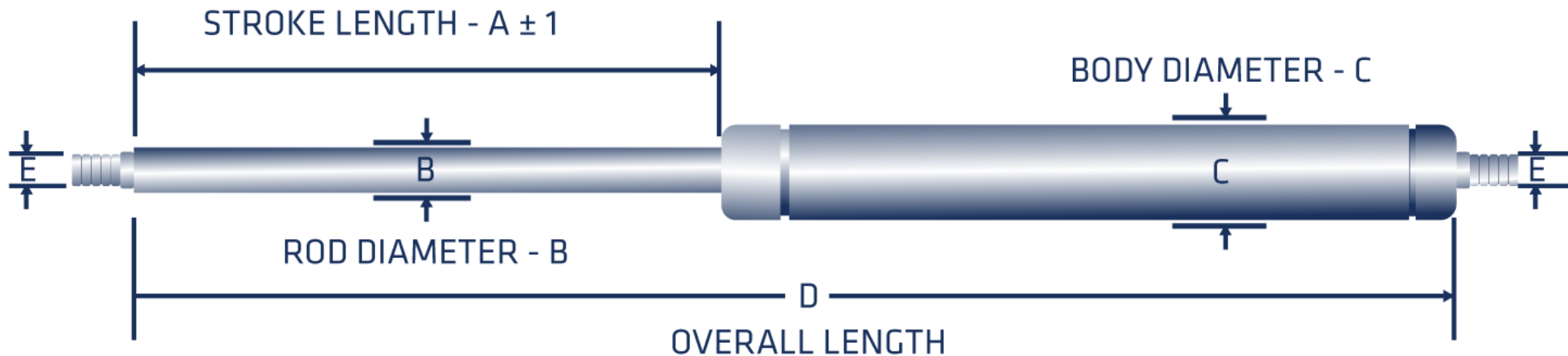


HOW TO CHOOSE THE RIGHT GAS SPRING WITH THE RIGHT CHARGE

AdvanTec Manufacturing Canada
43676 Progress Way, Chilliwack,
BC, V2R 0C3,
Canada

Phone: 1.800.770.0455
info@advantecglobal.com
www.advantecglobal.com

AdvanTec Manufacturing USA
28336 Hunter Creek Rd.,
Gold Beach, OR, 97444,
USA



1. The **weight** of the part (hatch) to be lifted
2. The **length** of the hatch – this is the distance from the hinges to the locking side
3. The **thickness** of the hatch (small hatches which are very thick – like freezer hatches need longer size gas springs)
4. The **degree** to which the hatch will be opened (90 degrees or more, up to 160 degrees)

HOW TO CHOOSE THE RIGHT GAS SPRING WITH THE RIGHT CHARGE

AdvanTec Manufacturing Canada
43676 Progress Way, Chilliwack,
BC, V2R 0C3,
Canada

Phone: 1.800.770.0455
info@advantecglobal.com
www.advantecglobal.com

AdvanTec Manufacturing USA
28336 Hunter Creek Rd.,
Gold Beach, OR, 97444,
USA

SKU	Size & Material	Hatch weight lb. for 1 spring	Hatch in Inches Max. Size	Force In Newton	A		B	C	D		E
					mm	inches	diameter	diameter	mm	inch	on both sides
0423-2021	10/23-100 - S/S	4/30 lb	8"	25/400 N	50	2"	6 mm	15 mm	130/80	5 1/8" / 3 1/8"	M 5 x 0.8
0423-2022	10/23-150 - S/S	4/30 lb	10"	25/400 N	65	2 3/8"	6 mm	15 mm	160/95	6 1/4" / 3 3/4"	
0423-2007	10/23-200 - S/S	4/30 lb	12 1/2"	25/400 N	80	3"	6 mm	15 mm	190/110	8 1/4" / 5 1/8"	M 5 x 0.8
0423-2102	10/23-200 - STEEL	4/30 lb	15 3/4"	25/400 N	100	4"	6 mm	15 mm	230/130	9 1/16" / 5 1/8"	M 5 x 0.8
0423-2010	10/23-250 - S/S	4/30 lb	19 1/2"	25/400 N	120	4 3/4"	6 mm	15 mm	270/150	10 5/8" / 5 7/8"	M 5 x 0.8
0423-2018	10/23-3500 SS	4/30 lb	31 1/4"	25/300 N	200	7 7/8"	6 mm	15 mm	430/230	16 15/16" / 9 1/16"	M 5 x 0.8
0423-2023	10/23-400 - S/S	10/70 lb	15 3/4"	100/750 N	100		8 mm	19 mm	245/145	9 5/8" / 5 3/4"	M 8 x 1.25
0423-2024	14/28-100 - S/S		23 1/2"	100/750 N	150	5 7/8"	8 mm	19 mm	345/195	13 3/4" / 7 3/4"	M 8 x 1.25
0423-2009	14/28-150 - S/S	10/70 lb	31 1/4"	100/700 N	200	7 7/8"	8 mm	19 mm	445/245	17 1/2" / 9 5/8"	M 8 x 1.25
0423-2016	14/28-200 - S/S	10/70 lb	39 3/8"	100/700 N	250	9 7/8"	8 mm	19 mm	545/295	21 1/2" / 11 5/8"	M 8 x 1.25
0423-2011	14/28-250 - S/S	15/120 lb	15 3/4"	150/1200 N	100	4"	10 mm	23 mm	245/145	9 5/8" / 5 3/4"	M 8 x 1.25
0423-2103	14/28-250- STEEL	15/120 lb	23 1/2"	150/1200 N	150	5 7/8"	10 mm	23 mm	345/195	13 3/4" / 7 3/4"	M 8 x 1.25
0423-2017	14/28-300- S/S	15/120 lb	31 1/4"	150/1200 N	200	7 7/8"	10 mm	23 mm	445/245	17 1/2" / 9 5/8"	M 8 x 1.25
0423-2019	14/28-350 - S/S	15/110 lb	39 3/8"	150/1100 N	250	9 7/8"	10 mm	23 mm	545/295	21 1/2" / 11 5/8"	M 8 x 1.25
0423-2025	14/28-400- S/S	15/100 lb	47 1/4"	150/900 N	300	11 13/16"	10 mm	23 mm	645/345	25 5/8" / 13 3/4"	M 8 x 1.25
0423-2026	22/38-300- S/S	15/77 lb	55 1/8"	150/700 N	350	13 3/4"	10 mm	23 mm	745/395	29 5/16" / 15 9/16"	M 8 x 1.25
0423-2028	6/15-100, S/S - MIRROR POLISH	15/65 lb	63"	150.500 N	400	15 3/4"	10 mm	23 mm	845/445	33 1/4" / 17 1/2"	M 8 x 1.25
0423-2027	6/15-150- S/S - MIRROR POLISH	120 lb	with	protection	tube	1200 N					M 8 x 1.25
0423-2014	6/15-80- S/S	25/250 lb	15 3/4"	250/2500 N	100	4"					
0423-2020	8/18-100- S/S	25/250 lb	63"	250/2500 N	500	19 11/16"	14 mm	28 mm			M 10 x 1.25
0423-2013	8/18-150- S/S	50/500 lb	15 3/4"	500/5000 N		7 7/8 to 39 3/8"	22 mm	38 mm	on request	on request	M 14 x 1.25
0423-2012	8/18-200- S/S	50/500 lb	63"	500/5000 N		7 7/8 to 39 3/8"	22 mm		on request	on request	M 14 x 1.25
0423-2008	8/18-250- S/S	-- / 1650 -- / 2200	15 3/4" to 63"	5000 / 10000 N	1000	39 3/8"			on request	on request	M 24 x 3
0423-2234	10/23-300 S/S	15/120lb	47.25"	150/1200 N	300	11 13/16"	10 mm	23 mm	645/345	25 5/8- 13 3/4	8
0423-2271	14/28-275 S/S			250 / 2500 N	275	10.82"	14mm	28mm	600	23.62"	10
0423-2235	14/28-500 S/S			250 / 2500	500	19.69"	14mm	28mm	1050	41.34"	10
0423-2352	22/38-200 S/S			500 / 5000	200	7.87"	22	38	470	18.50"	14
0423-2035	22/38-250 S/S			500 / 5000	250	9.84"	22	38	570	22.44"	14
0423-2034	22/38-350 S/S			500 / 5000	350	13.78"	22	38	770	30.31"	14
0423-2029	22/38-400 S/S			500 / 5000	400	15 3/4"	22	38	870	34.25"	14
0423-2031	22/38-500 S/S			500 / 5000	500	19.68"	22	38	1070	42.13"	14

This document has been adapted by AdvanTec Marine for informational purposes. We respect the intellectual property rights of IZERWAREN INC. The original document can be found at [link](#).