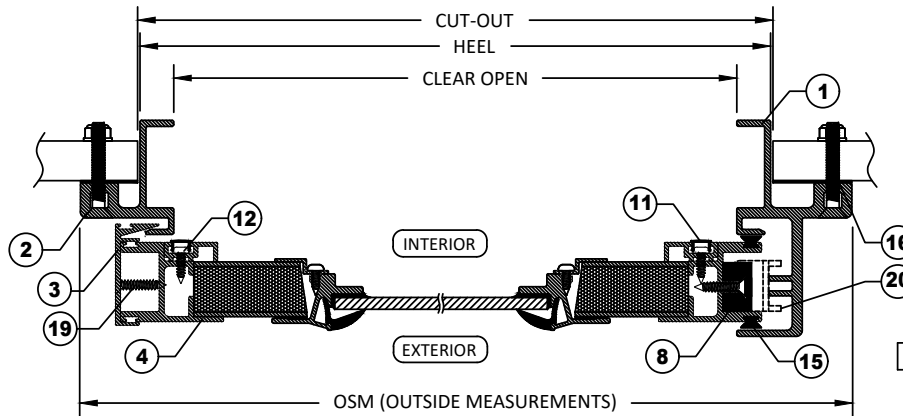


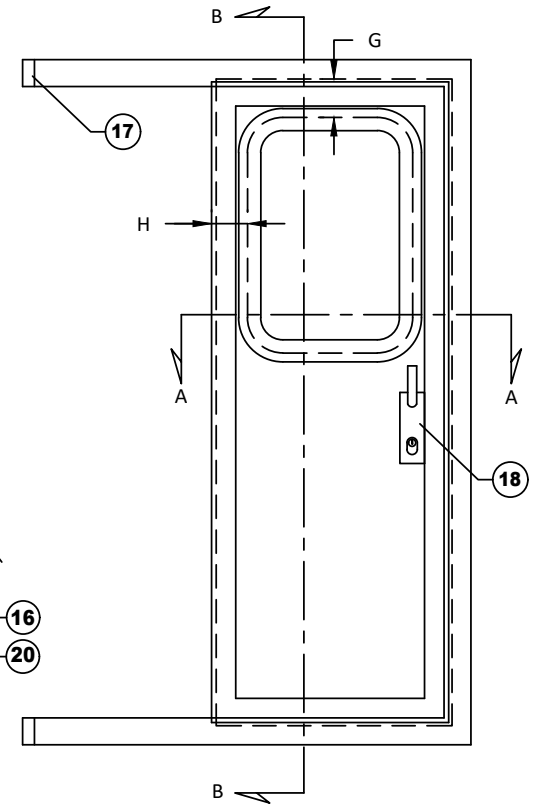
SECTION B-B

ITEMS			
ID	DESCRIPTION	MATERIAL	PART NUMBER
1	MOUNTING FRAME	6063 ALUMINUM	103799
2	FRAME INTERLOCK	6063 ALUMINUM	103798
3	INSERT INTERLOCK	6063 ALUMINUM	103840
4	INSERT	6063 ALUMINUM	103839
5	STOP	6063 ALUMINUM	103804
6	SKIN	6063 ALUMINUM	103919
7	INSULATION	KOROLITE 1"	103930
8	BOTTOM SLIDE BLOCK	BLACK PVC	103458
9	TOP SLIDE BLOCK	BLACK PVC	103459
10	GLIDER BLOCK SCREW	S.S.	101251?
11	STOP SCREW COVER	BLACK PVC	103039
12	STOP SCREW	SS	103154
13	DOOR WINDOW	VARIABLES	
14	300 TRACK	BLACK PVC	103045
15	WEATHER STRIPPING	HAIR	103079
16	BEDDING COMPOUND	CUSTOMER SUPPLY	N/A
17	STOP BLOCK	BLACK PVC	103298
18	TRIOVING LOCKSET		103759
19	INSERT INTERLOCK SCREW	SS	101256
20	LOCK KEEPER	SS	103297

STANDARD DIMENSIONS		
ID	DESCRIPTION	DIMENSION
A	FLANGE COVERAGE	41mm (1 5/8")
B	EXTERIOR PROTRUSION	77mm (3 1/16")
C	INTERIOR PROTRUSION	31mm (1 1/4")
D	SPIGOT TO CLEAR VIEW	17mm (11/16")
E	FLANGE THICKNESS	18mm (11/16")
F	INSERT THICKNESS	27mm (1 1/16")
G	WINDOW TO DOOR CUT OUT	83mm (3 1/4")
H	WINDOW TO EXTERIOR OF INSERT	78mm (3")



SECTION A-A



NOTES:

- GENERAL HEEL TOLERANCE +0/-1/4" OVERALL
- AVAILABLE WITH MITERED CORNERS ONLY
- STANDARD MOUNTING HOLES ARE 3/16" WITH #10 COUNTERSUNK ON 8" NOMINAL CENTERS

DRAWING NUMBER

300X

DIAMOND SEA GLAZE MANUFACTURING LTD.
26995 GLOUCESTER WAY, LANGLEY B.C.
CANADA V4W 3Y3
TOLL FREE: 1-800-770-0455
PHONE: 604-607-0091
FAX: 604-607-0092



Diamond Sea Glaze

SCALE

NTS

BY

GG

ITEM NAME

300X

REVISION

5

ITEM DESCRIPTION

SLIDING OPENING DOOR

ALL DRAWINGS AND ANY ASSOCIATED INFORMATION HEREON CONTAIN PROPRIETARY AND/OR CONFIDENTIAL INFORMATION, AND SHALL NOT BE REPRODUCED, DISCLOSED OR SUBMITTED TO ANY THIRD PARTY WITHOUT PRIOR CONSENT FROM DIAMOND SEA GLAZE MANUFACTURING LTD.