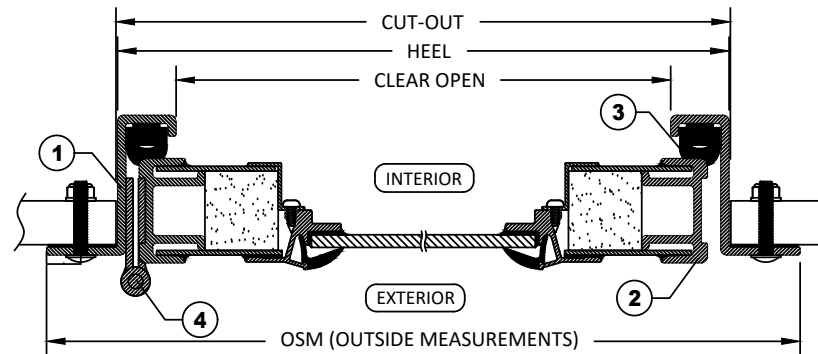


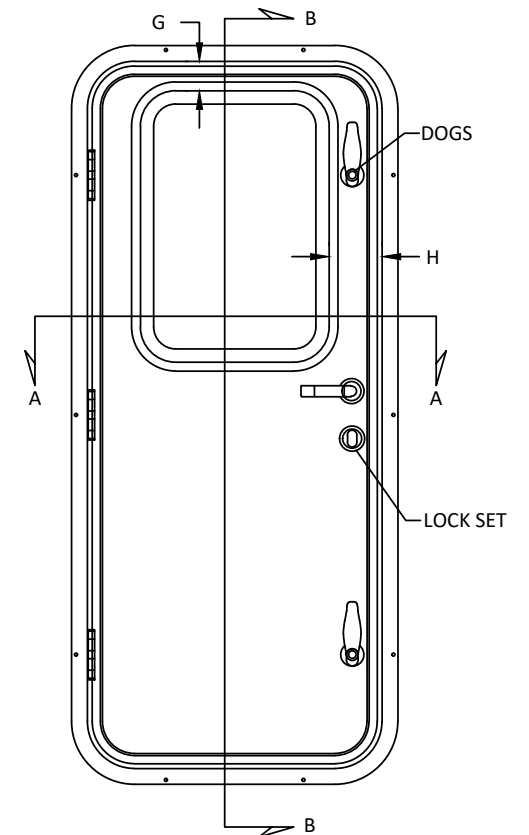
SECTION B-B

| ITEMS | | | |
|-------|------------------|-----------------------|-------------|
| ID | DESCRIPTION | MATERIAL | PART NUMBER |
| 1 | MOUNTING FRAME | 6063 ALUMINUM | 103829 |
| 2 | INSERT | 6063 ALUMINUM | 103838 |
| 3 | GASKET | EPDM GASKET | 103022 |
| 4 | HINGE | STAINLESS STEEL HINGE | VARIES |
| 5 | DOOR WINDOW | OPTIONAL | |
| 6 | INSERT PANEL | 1/16" ALUMINUM | 103919 |
| 7 | BEDDING COMPOUND | CUSTOMER TO SUPPLY | N/A |
| 8 | SEALANT | SILICONE | 103070 |
| 9 | INSULATION | 1 1/2" KOROLITE | 103928 |

| STANDARD DIMENSIONS | | |
|---------------------|----------------------------------|----------------|
| ID | DESCRIPTION | DIMENSION |
| A | FLANGE COVERAGE | 34mm (1 5/16") |
| B | EXTERIOR PROTRUSION | 4mm (3/16") |
| C | INTERIOR PROTRUSION | 63mm (2 1/2") |
| D | SPIGOT TO CLEAR VIEW | 28mm (1 1/8") |
| E | FLANGE THICKNESS | 4mm (3/16") |
| F | INSERT THICKNESS | 43mm (1 3/4") |
| G | WINDOW TO DOOR CUT OUT | 64mm (2 1/2") |
| H | WINDOW TO DOOR CUT OUT WITH DOGS | 114mm (4 1/2") |



SECTION A-A



NOTES:

- GENERAL HEEL TOLERANCE +0/-1/4" OVERALL
- AVAILABLE WITH 4"(102mm) RADIUS OR MITERED CORNERS
- STANDARD MOUNTING HOLES ARE 1/4" WITH #18 COUNTERSUNK ON 16" NOMINAL CENTERS

DRAWING NUMBER

250

DIAMOND SEA GLAZE MANUFACTURING LTD.
26995 GLOUCESTER WAY, LANGLEY B.C.
CANADA V4W 3Y3
TOLL FREE: 1-800-770-0455
PHONE: 604-607-0091
FAX: 604-607-0092



Diamond Sea Glaze

SCALE

NTS

BY

LD

ITEM NAME

250

REVISION

3

ITEM DESCRIPTION

HINGED OPENING DOOR

ALL DRAWINGS AND ANY ASSOCIATED INFORMATION HEREON CONTAIN PROPRIETARY AND/OR CONFIDENTIAL INFORMATION, AND SHALL NOT BE REPRODUCED, DISCLOSED OR SUBMITTED TO ANY THIRD PARTY WITHOUT PRIOR CONSENT FROM DIAMOND SEA GLAZE MANUFACTURING LTD.