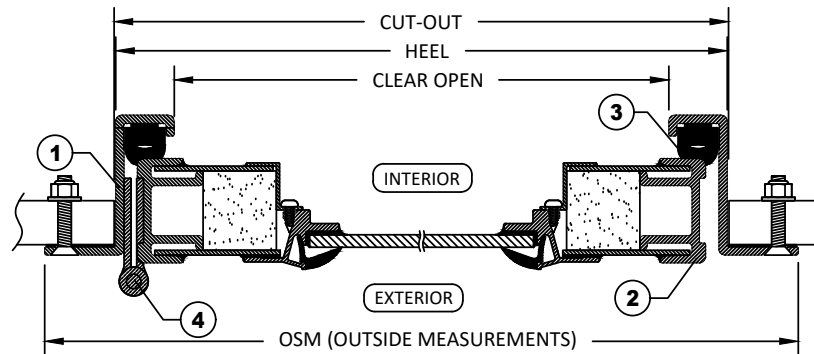


SECTION B-B

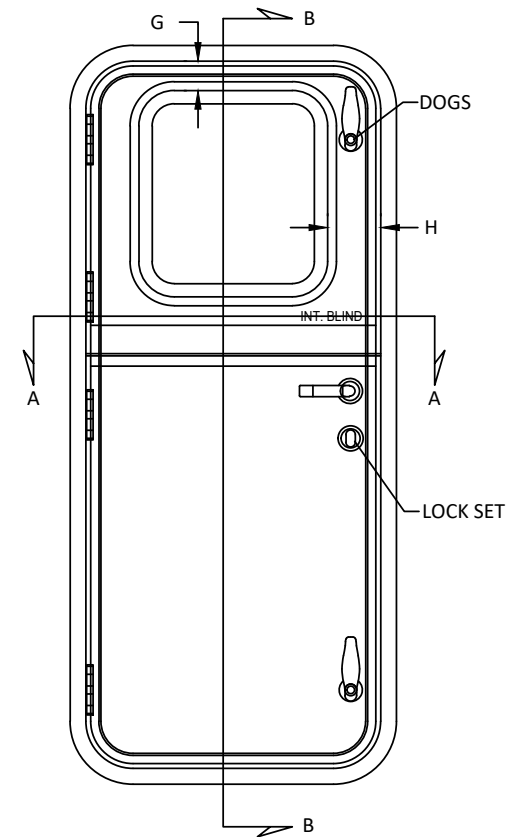
ITEMS			
ID	DESCRIPTION	MATERIAL	PART NUMBER
1	MOUNTING FRAME	6063 ALUMINUM	103829
2	INSERT	6063 ALUMINUM	103838
3	GASKET	EPDM GASKET	103022
4	HINGE	STAINLESS STEEL HINGE	VARIES
5	DOOR WINDOW	OPTIONAL	
6	INSERT PANEL	1/16" ALUMINUM	103919
7	BEDDING COMPOUND	CUSTOMER TO SUPPLY	N/A
8	SEALANT	SILICONE	103070
9	INSULATION	POLYUREATHANE EXPANDING FOAM	104164
10	DUTCH FRAME	6063 ALUMINUM	103796
11	GASKET	EPDM GASKET	103024
12	GASKET	EPDM GASKET	103007

STANDARD DIMENSIONS

ID	DESCRIPTION	DIMENSION
A	FLANGE COVERAGE	34mm (1 5/16")
B	EXTERIOR PROTRUSION	4mm (3/16")
C	INTERIOR PROTRUSION	63mm (2 1/2")
D	SPIGOT TO CLEAR VIEW	28mm (1 1/8")
E	FLANGE THICKNESS	4mm (3/16")
F	INSERT THICKNESS	50mm (2 1/16")
G	WINDOW TO DOOR CUT OUT	64mm (2 1/2")
H	WINDOW TO DOOR CUT OUT WITH DOGS	114mm (4 1/2")



SECTION A-A



NOTES:

- GENERAL HEEL TOLERANCE +0/-1/4" OVERALL
- AVAILABLE WITH 4"(102mm) RADIUS OR MITERED CORNERS
- STANDARD MOUNTING HOLES ARE 1/4" WITH #18 COUNTERSUNK ON 16" NOMINAL CENTERS

DRAWING NUMBER

250-DUTCH

DIAMOND SEA GLAZE MANUFACTURING LTD.
26995 GLOUCESTER WAY, LANGLEY B.C.
CANADA V4W 3Y3
TOLL FREE: 1-800-770-0455
PHONE: 604-607-0091
FAX: 604-607-0092



Diamond
Sea Glaze

SCALE

NTS

BY

LD

ITEM NAME

250-DUTCH

REVISION

3

ITEM DESCRIPTION

HINGED OPENING DOOR

ALL DRAWINGS AND ANY ASSOCIATED INFORMATION HEREON CONTAIN PROPRIETARY AND/OR CONFIDENTIAL INFORMATION, AND SHALL NOT BE REPRODUCED, DISCLOSED OR SUBMITTED TO ANY THIRD PARTY WITHOUT PRIOR CONSENT FROM DIAMOND SEA GLAZE MANUFACTURING LTD.