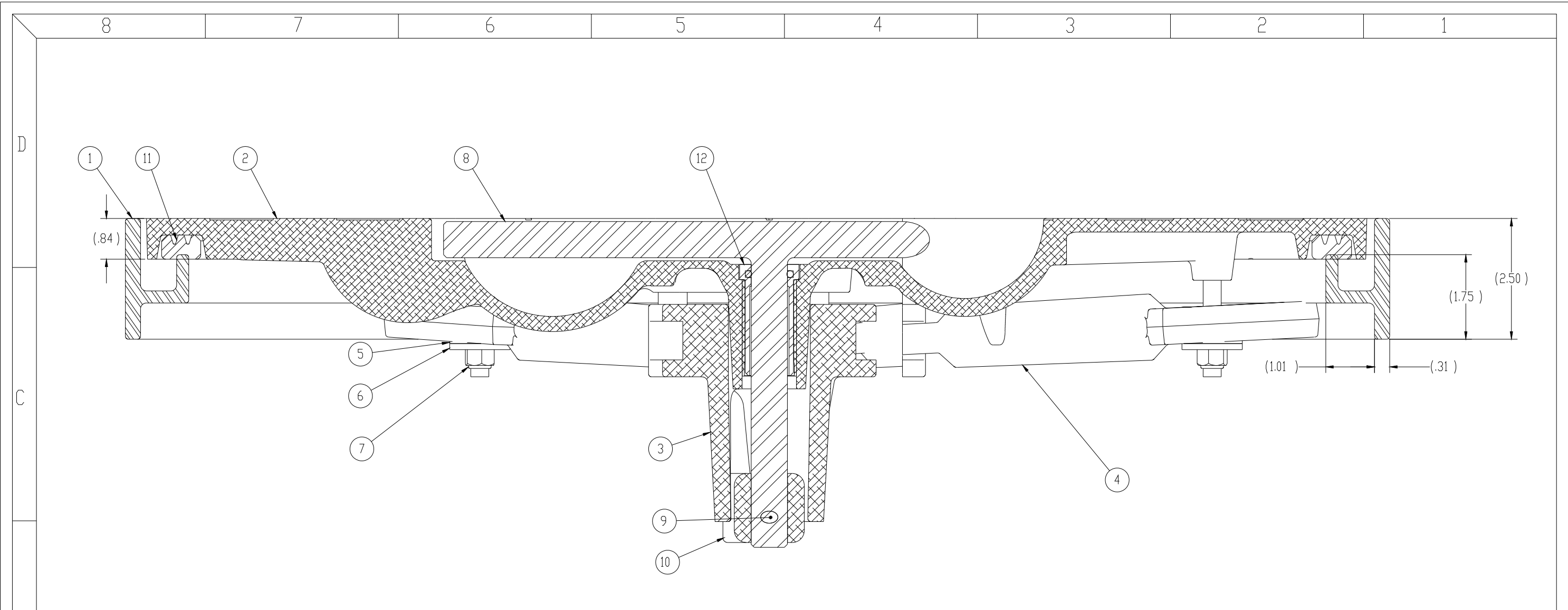


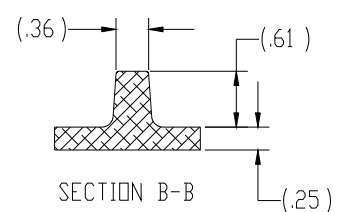
- 10. FOR SPECIFIC INFORMATION CONTACT SALES.
- 9. COMPLETE ASSEMBLY WEIGHT W/ DECK RING, 48.7LBS/ 22.1K.
- 8. DOGGING PRESSURE FULLY ADJUSTABLE.
- 7. HANDLE POSITION TOPSIDE INDICATES WHETHER DOGGING MECHANISM IS IN OPEN OR CLOSED POSITION.
- 6. ALUMINUM ALLOY MECHANISM SHOWN.
- 5. FLUSH, WATERTIGHT CONSTRUCTION.
- 4. INTEGRAL TOPSIDE "T" HANDLE STANDARD, OTHER TOPSIDE ACTUATION AVAILABLE.
- 3. MILD STEEL RING.
- 2. QUICK-ACTING, MECHANISM ENGAGES OR DISENGAGES IN QUARTER-TURN OF CENTER SPINDLE.
- 1. 15.25 x 24.06" CLEAR OPENING, ALL DIMENSIONS SHOWN SUBJECT TO CASTING VARIATION AND ARE REFERENCE ONLY.

NOTES: UNLESS OTHERWISE SPECIFIED.

SPECIFICATIONS SUBJECT TO CHANGE WITHOUT NOTICE.		FREEMAN MARINE EQUIPMENT, INC.		28336 HUNTER CREEK ROAD GOLD BEACH, OR 97444 U.S.A. PHONE: 541-247-7078 FAX: 541-247-2114 www.freemarinmarine.com	
PROJECTION		<small>CONFIDENTIAL PROPERTY OF FREEMAN MARINE EQUIPMENT INC. UNAUTHORIZED USE, COPYING OR DISTRIBUTION IS EXPRESSLY PROHIBITED. POSSESSION OF THIS DOCUMENT GRANTS NO RIGHTS AND SHALL RETURN THIS DOCUMENT UPON REQUEST.</small>		CLIENT: FREEMAN MARINE	
<small>UNLESS OTHERWISE SPECIFIED DIMENSIONS ARE IN INCHES. TOLERANCES FOR ROUGH AND CLEAR OPENING ± .125 INCH. ALL OTHERS ARE:</small>		<small>© ALL RIGHTS RESERVED 2004</small>		TITLE: 15" X 24" OVAL "K" STYLE ALUMINUM CAST HATCH, MILD STEEL DECK RING W/ INTEGRAL TOPSIDE HANDLE	
X XX XXX ANGLES ±.1 ±.03 ±.010 ±2°		DRAWN: G MACEACHERN DATE: 13MAY10 CHECKED: DATE: ENGR: DATE: DESIGN ACTIVITY: DATE: CONTRACT NO:		SIZE: D CAGE CODE: 64747 DRAWING NUMBER: 2434-0003 SCALE: 1:2.5 CALC. WT.: ACT. WT.:	
DO NOT SCALE DRAWING		REV. DESCRIPTION DATE DRAWN		REV. A SHEET 1 OF 3	



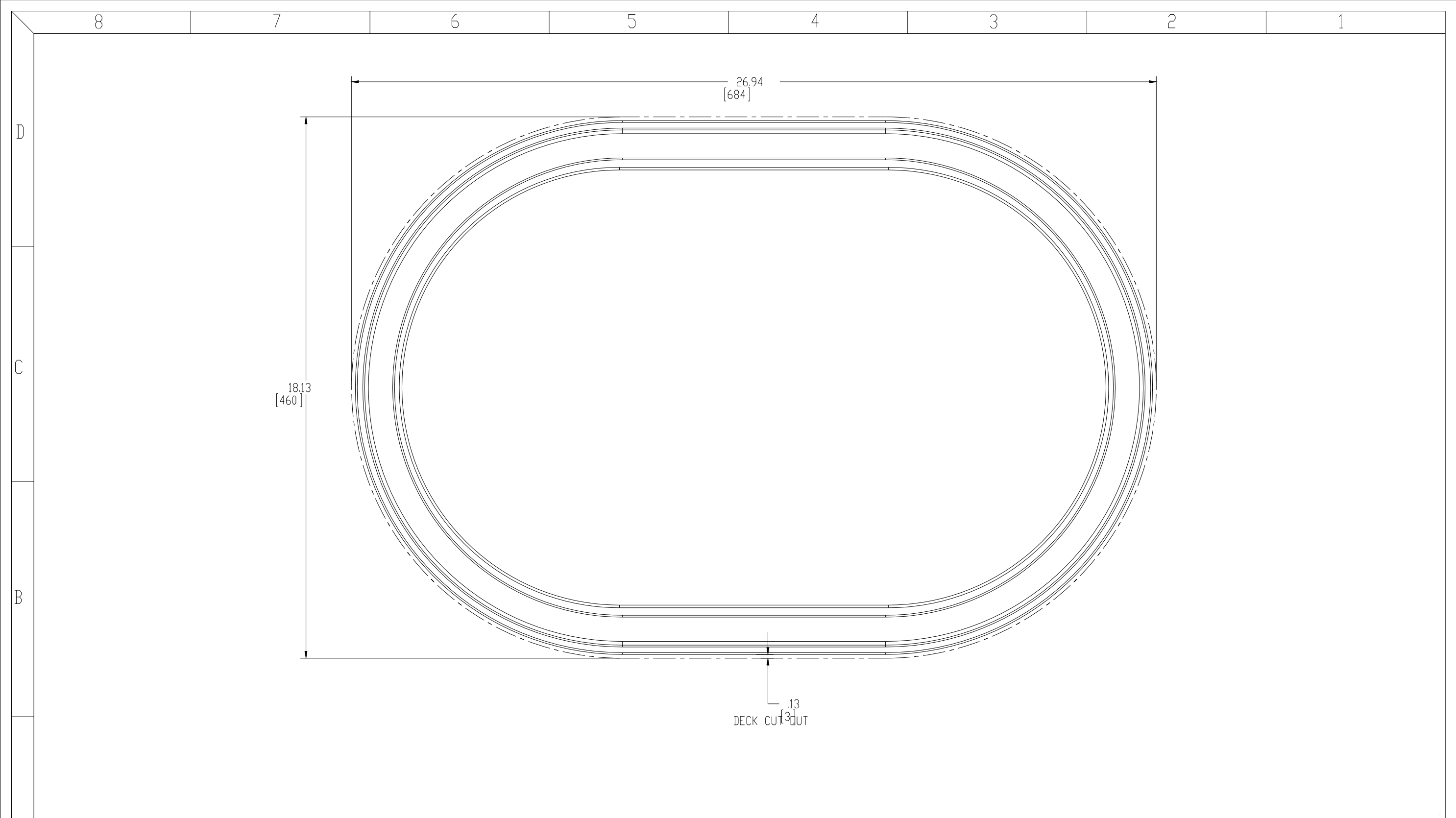
SECTION A-A
SCALE 1 : 2



ITEM NO.	QTY.	PART NUMBER	DESCRIPTION	MATERIAL
12	1	0031-2058	BUSHING ASSY, W/ O-RING, NO SLEEVE	ACETRON/RUBBER
11	1	9835-2008	GASKET, 1524K (5.58" O.D. 0631-9835)	NEOPRENE, 25 DURE
10	1	0112-2001	ACTUATOR, AL	ALUMINUM, 535
9	1	0411-2004	PIN, KNURLED, 1/4 X 2-1/4, 316 S/S	STAINLESS STEEL, 316L
8	1	0021-2005	HANDLE, S/S, ROUND BAR	STAINLESS STEEL, 316
7	4	0411-2032	LOCKNUT, NYLON INSERT, 3/8-16, 316 S/S	STAINLESS STEEL, 316
6	4	0411-2033	WASHER, .406 X 1.25 X .125, 316 S/S	STAINLESS STEEL, 316
5	4	0413-2005	WASHER, .406 X 1.250 X .062 NYLON	NYLON
4	4	0211-2004	DOG, LOCKING ARM 1524, AL	ALUMINUM, 535.2-F
3	1	0011-2002	HUB, AL, 4 HOLE	ALUMINUM, 535.2-F
2	1	2434-3001	COVER: 1524K	ALUMINUM, A356.0-F
1	1	2434-1003	RING: 1524K	MILD STEEL

SPECIFICATIONS SUBJECT TO CHANGE WITHOUT NOTICE.		FREEMAN MARINE EQUIPMENT, INC. 28336 HUNTER CREEK ROAD GOLD BEACH, OR 97444 U.S.A. PHONE: 541-247-7078 FAX: 541-247-2114 WWW.FREEMANMARINE.COM	
PROJECTION		UNLESS OTHERWISE SPECIFIED DIMENSIONS ARE IN INCHES. TOLERANCES FOR ROUGH AND CLEAR OPENING ± .125 INCH. ALL OTHERS ARE:	
X XX XXX ANGLES ±.1 ±.03 ±.010 ±2*		DO NOT SCALE DRAWING	
CONFIDENTIAL PROPERTY OF FREEMAN MARINE EQUIPMENT, INC. UNAUTHORIZED USE, COPIING OR DISTRIBUTION IS STRICTLY PROHIBITED. PERMISSION OF THIS DOCUMENT APPLIES TO THE ORIGINAL AND SHALL RETURN THIS DOCUMENT UPON REQUEST. © ALL RIGHTS RESERVED 2004		CLIENT: FREEMAN MARINE TITLE: 15" X 24" OVAL "K" STYLE ALUMINUM CAST HATCH, MILD STEEL DECK RING W/ INTEGRAL TOPSIDE HANDLE	
DRAWN: G MACEACHERN DATE: 13MAY10 CHECKED: DATE:		SIZE: D CAGE CODE: 64747 DRAWING NUMBER: 2434-0003	
ENGR: DATE:		SCALE: 1:1 CALC. WT. ACT. WT.	
DESIGN ACTIVITY: DATE:		REV. A	
CONTRACT NO:		SHEET 2 OF 3	

REV.	DESCRIPTION	DATE	DRAWN
-	INITIAL RELEASE	13MAY10	GJM
A	UPDATE GEN. NOTES & BOM	05aug11	PPC



- 3. FINISH: 125 RMS MAX.
- 2. BREAK SHARP EDGES AND DEBURR.
- 1. MATERIAL: REF. S/A - B.O.M.

NOTES: UNLESS OTHERWISE SPECIFIED.

CUSTOMER APPROVAL

Signature: _____
 Date: _____

IMPORTANT! THIS DRAWING SUPERSEDES ALL OTHER DOCUMENTS. By signing this approval you accept and agree that the dimensions and details shown are correct and properly fit your application, regardless of any differences between this drawing and any contract specifications. Should you see any errors in the drawing, or have any questions, please contact your Freeman Marine sales engineer for clarification.

REV.	DESCRIPTION	DATE	DRAWN
-	INITIAL RELEASE	13MAY10	GJM
A	UPDATE GEN. NOTES & BOM	05aug11	PPC

SPECIFICATIONS SUBJECT TO CHANGE WITHOUT NOTICE.

PROJECTION

UNLESS OTHERWISE SPECIFIED DIMENSIONS ARE IN INCHES. TOLERANCES FOR ROUGH AND CLEAR OPENING ± .125 INCH. ALL OTHERS ARE:
 .X .XX .XXX ANGLES
 ±.1 ±.03 ±.010 ±2°

DO NOT SCALE DRAWING

FREEMAN MARINE EQUIPMENT, INC.		28336 HUNTER CREEK ROAD GOLD BEACH, OR 97444 U.S.A. PHONE: 541-247-7078 FAX: 541-247-2114 www.freemarmarine.com	
<small>CONFIDENTIAL PROPERTY OF FREEMAN MARINE EQUIPMENT, INC. UNLESS OTHERWISE SPECIFIED, ALL DIMENSIONS ARE TO BE TAKEN FROM THE SHOWN DIMENSIONS. NO PARTS TO BE OBTAINED FROM OTHER SOURCES.</small>		CLIENT: FREEMAN MARINE	
DRAWN: G MACEACHERN DATE: 13MAY10 CHECKED: DATE: _____ ENGR: DATE: _____ DESIGN ACTIVITY: DATE: _____ CONTRACT NO: _____		TITLE: 15" X 24" OVAL "K" STYLE ALUMINUM CAST HATCH, MILD STEEL DECK RING	
SIZE: D	CAGE CODE: 64747	DRAWING NUMBER: 2434-0003	REV. A
SCALE: 1:1.5	CALC. WT.	ACT. WT.	SHEET 3 OF 3