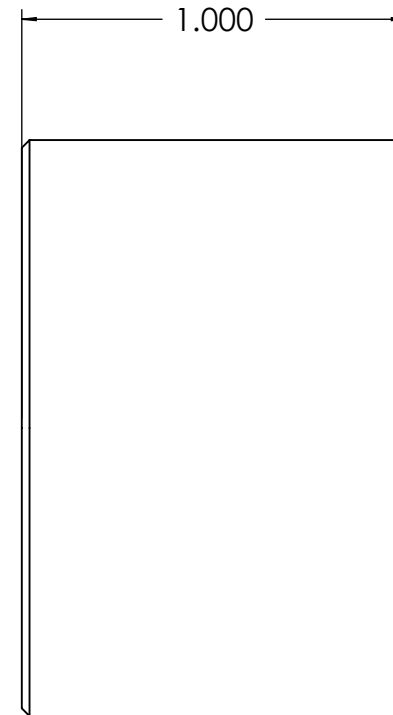
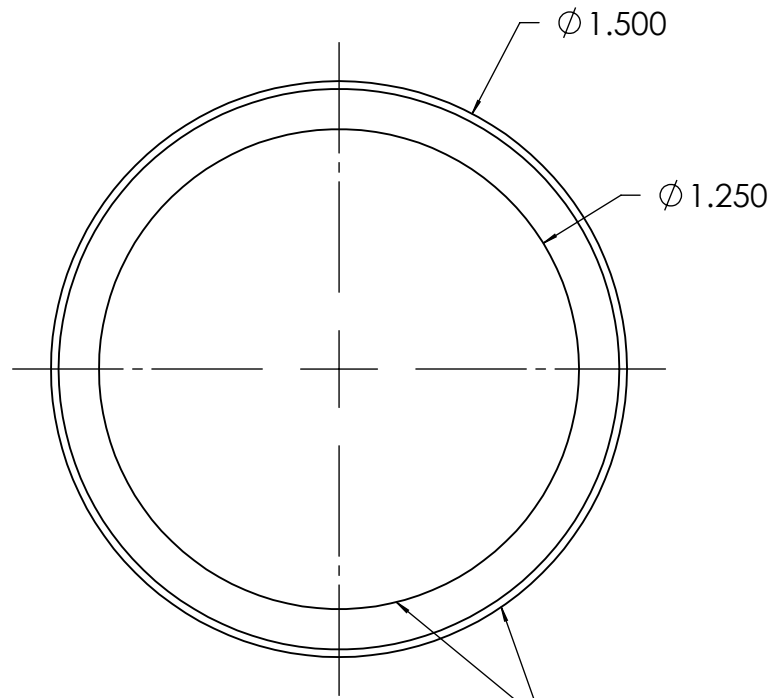
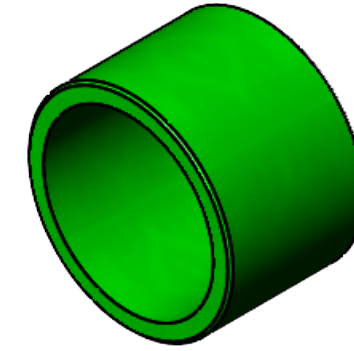


ITEM NO.	QTY.	PART NUMBER	LEGACY	DESCRIPTION	Material
1	1	106034	SM25-E0105	BUSH FCJ GRN 1.25ID 1.5ODx1	FCJ



DEBURR SHARP EDGES (R1/32" MAX)

REVISIONS

REV.	DESCRIPTION	BY	DATE
00	EPDM MIGRATION RELEASE WITH VISUAL PART ID	ASP	2023-04-18

GENERAL NOTES

- REMOVE ALL BURRS AND BREAK SHARP EDGES AND CORNERS .75mm [.03in] MAX.

UNLESS OTHERWISE SPECIFIED, DIMENSIONS ARE IN MILLIMETERS. TOLERANCES FOR ROUGH AND CLEAR OPENINGS ARE ±3mm (.125"). ALL OTHERS ARE:

METRIC	X	.X	.XX	ANGLES
	±1.25	±.4	±.125	±1°
IMPERIAL	.X	.XX	.XXX	ANGLES
	±.05	±.015	±.005	±1°



**AdvanTec
Marine**

COPYRIGHT 2016 ADVANTEC GLOBAL INNOVATIONS. ALL RIGHTS RESERVED. CONFIDENTIAL PROPERTY OF ADVANTEC GLOBAL INNOVATIONS. UNAUTHORIZED USE, REPRODUCTION OR DISTRIBUTION IS STRICTLY PROHIBITED. COPIES REMAIN THE PROPERTY OF ADVANTEC GLOBAL INNOVATIONS AND MUST BE RETURNED UPON REQUEST.

DWG TITLE
BUSH FCJ GRN 1.25ID 1.5ODx1

LEGACY
SM25-E0105

SCALE	DRAWN	DATE	CHECKED	DATE	SIZE
2:1	D. GATLE	03/18/2004			B
		DWG NO		SHEET	REV
		106034		1 of 1	00