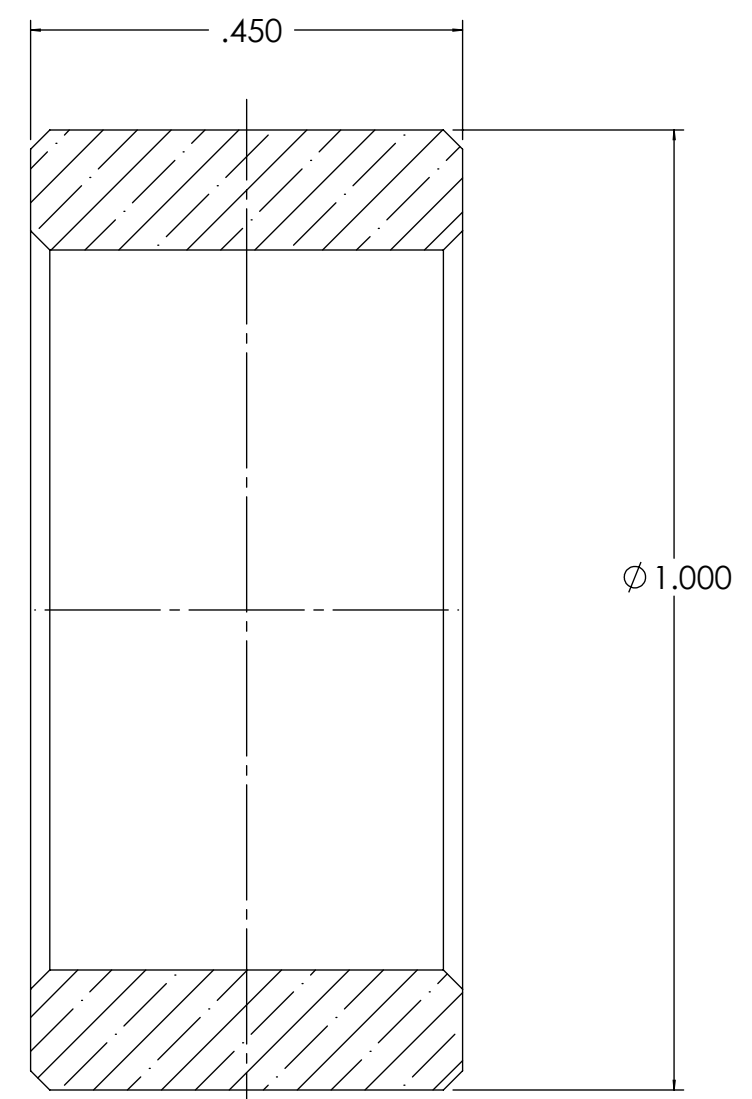
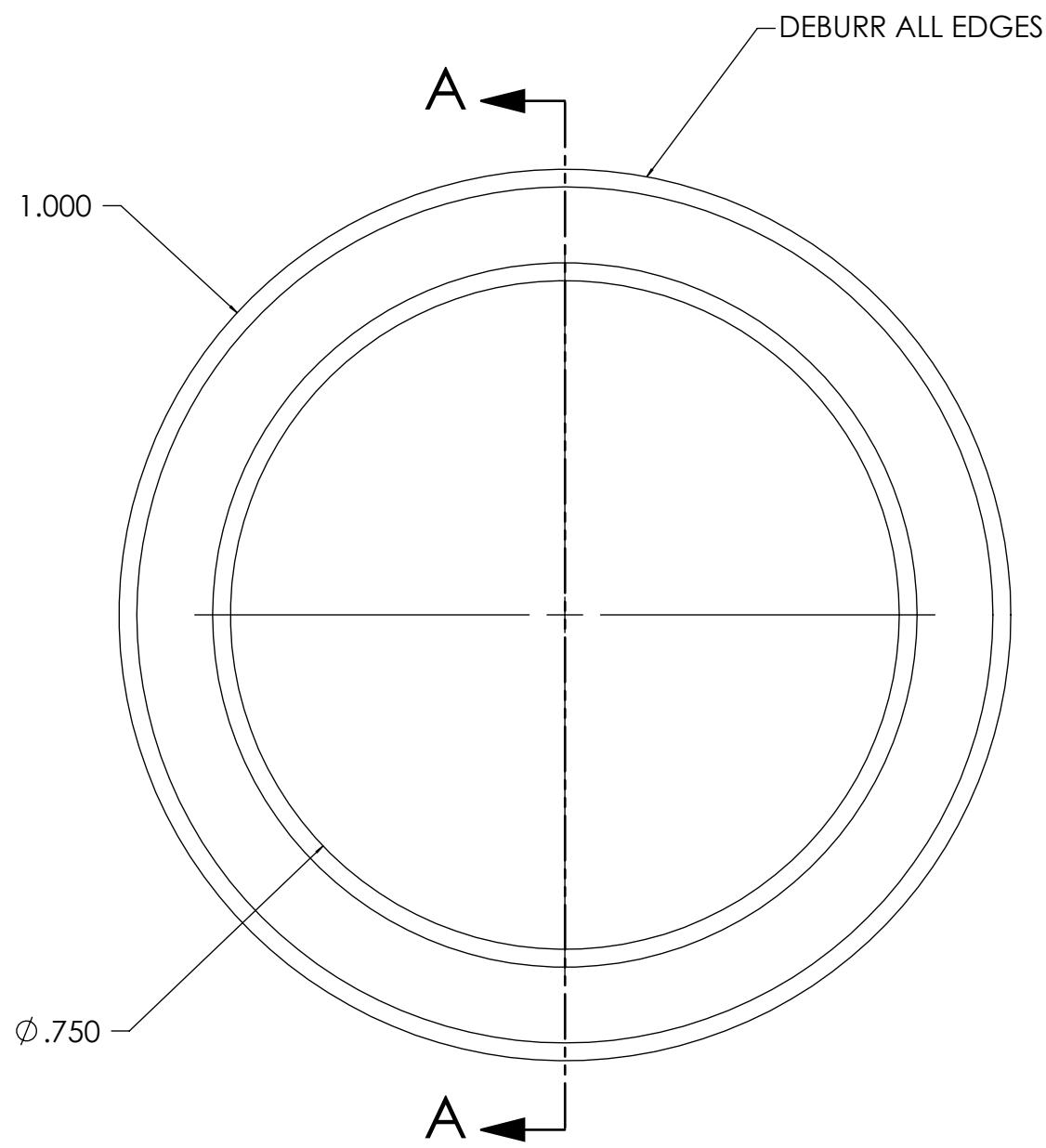
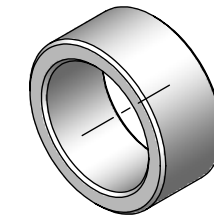


ITEM	QTY	PART NUMBER	LEGACY	DESCRIPTION	MATERIAL
1	1	105918	SM08-W0105	BUSH FCJ GRN .75IDx.45	FCJ 12F16

REVISIONS			
REV.	DESCRIPTION	BY	DATE
00	EPDM MIGRATION RELEASE WITH VISUAL PART ID	DEC	2023/06/01



SECTION A-A
SCALE 5 : 1

GENERAL NOTES
1. REMOVE ALL BURRS AND BREAK SHARP EDGES AND CORNERS .75mm [.03in] MAX.

UNLESS OTHERWISE SPECIFIED, DIMENSIONS ARE IN INCHES. TOLERANCES FOR ROUGH AND CLEAR OPENINGS ARE ±3mm (.125"). ALL OTHERS ARE:

	X	.X	.XX	ANGLES
METRIC	±1.25	±.4	±.125	±1°
IMPERIAL	.X	.XX	.XXX	ANGLES
	±.03	±.015	±.005	±1°



COPYRIGHT 2016 ADVANTEC GLOBAL INNOVATIONS. ALL RIGHTS RESERVED. CONFIDENTIAL PROPERTY OF ADVANTEC GLOBAL INNOVATIONS. UNAUTHORIZED USE, REPRODUCTION OR DISTRIBUTION IS STRICTLY PROHIBITED. COPIES REMAIN THE PROPERTY OF ADVANTEC GLOBAL INNOVATIONS AND MUST BE RETURNED UPON REQUEST.

DWG TITLE
BUSH FCJ GRN .75IDx.45

LEGACY
SM08-W0105

SCALE	DRAWN	DATE	CHECKED	DATE	SIZE
1:1	G.R.	08/12/2003		1800-01-02	B

DWG NO	SHEET	REV
105918	1 of 1	4

