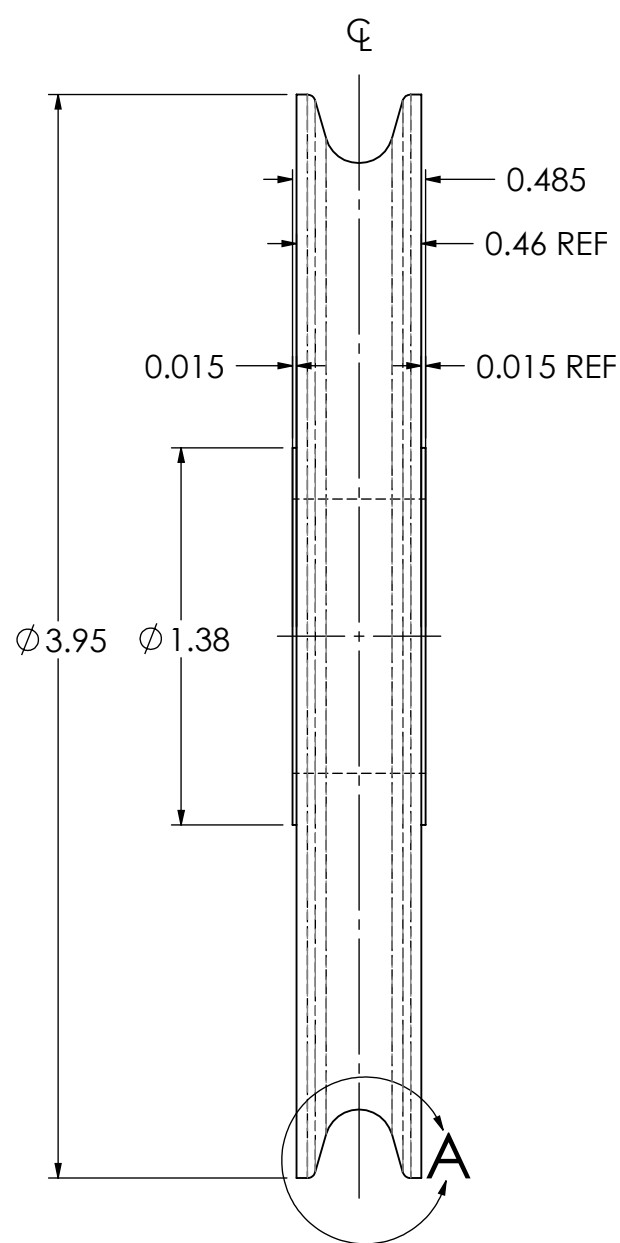
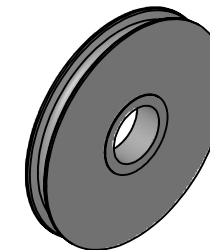
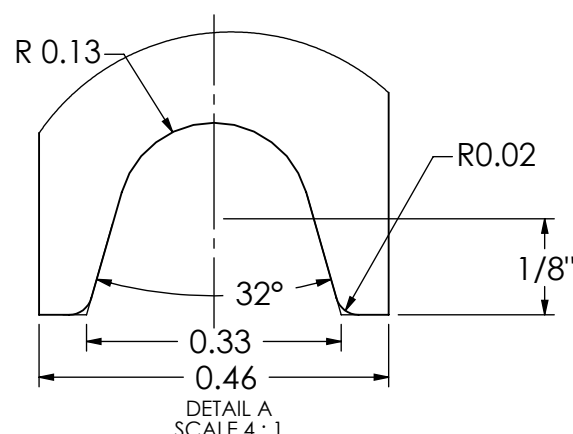
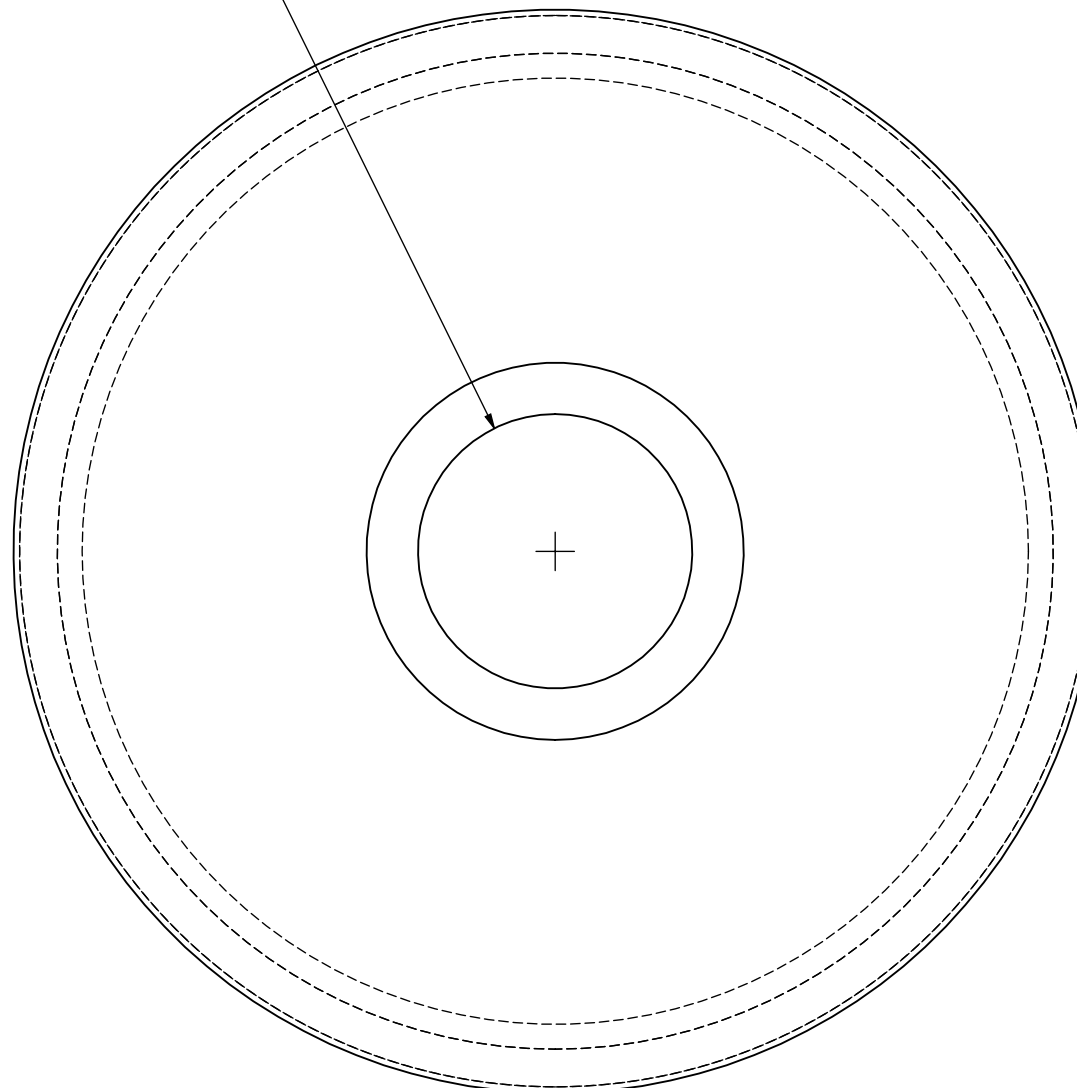


ITEM	QTY	PART NUMBER	LEGACY	DESCRIPTION	MATERIAL
1	1	105917	SM08-W0104	SHV AL6061 BLK ANOD SM08 LW	6061-T6 ALUMINUM

REVISIONS			
REV.	DESCRIPTION	BY	DATE
00	EPDM MIGRATION RELEASE WITH VISUAL PART ID	DEC	2023/06/01



$\varnothing 1.000^{+0.001}_{-0.002}$ THRU



GENERAL NOTES
1. REMOVE ALL BURRS AND BREAK SHARP EDGES AND CORNERS .75mm [.03in] MAX.

UNLESS OTHERWISE SPECIFIED, DIMENSIONS ARE IN INCHES. TOLERANCES FOR ROUGH AND CLEAR OPENINGS ARE $\pm 3\text{mm}$ (.125"). ALL OTHERS ARE:

	X	.X	.XX	ANGLES
METRIC	± 1.25	$\pm .4$	$\pm .125$	$\pm 1^\circ$
IMPERIAL	.X	.XX	.XXX	ANGLES
	$\pm .03$	$\pm .015$	$\pm .005$	$\pm 1^\circ$



COPYRIGHT 2016 ADVANTEC GLOBAL INNOVATIONS. ALL RIGHTS RESERVED. CONFIDENTIAL PROPERTY OF ADVANTEC GLOBAL INNOVATIONS. UNAUTHORIZED USE, REPRODUCTION OR DISTRIBUTION IS STRICTLY PROHIBITED. COPIES REMAIN THE PROPERTY OF ADVANTEC GLOBAL INNOVATIONS AND MUST BE RETURNED UPON REQUEST.

DWG TITLE
SHV AL6061 BLK ANOD SM08 LW

LEGACY
SM08-W0104

SCALE	DRAWN	DATE	CHECKED	DATE	SIZE
1:1	D.G.			1800-01-02	B

DWG NO	SHEET	REV
105917	1 of 1	3