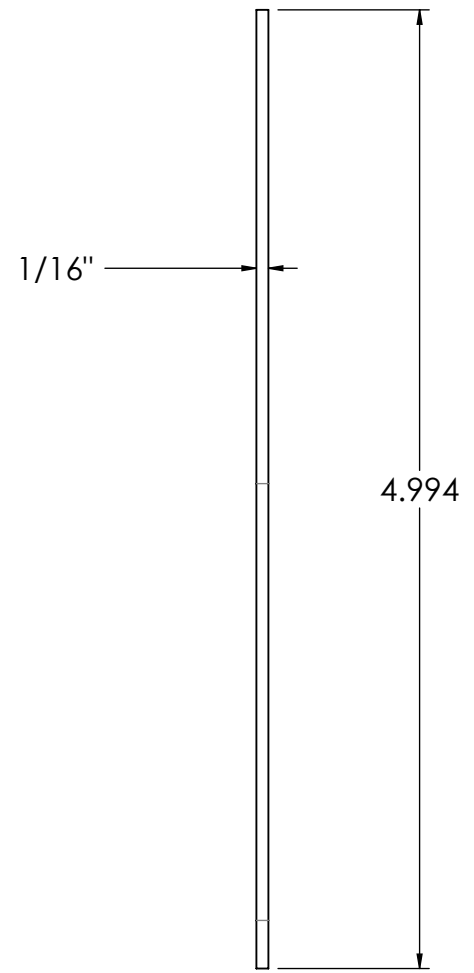
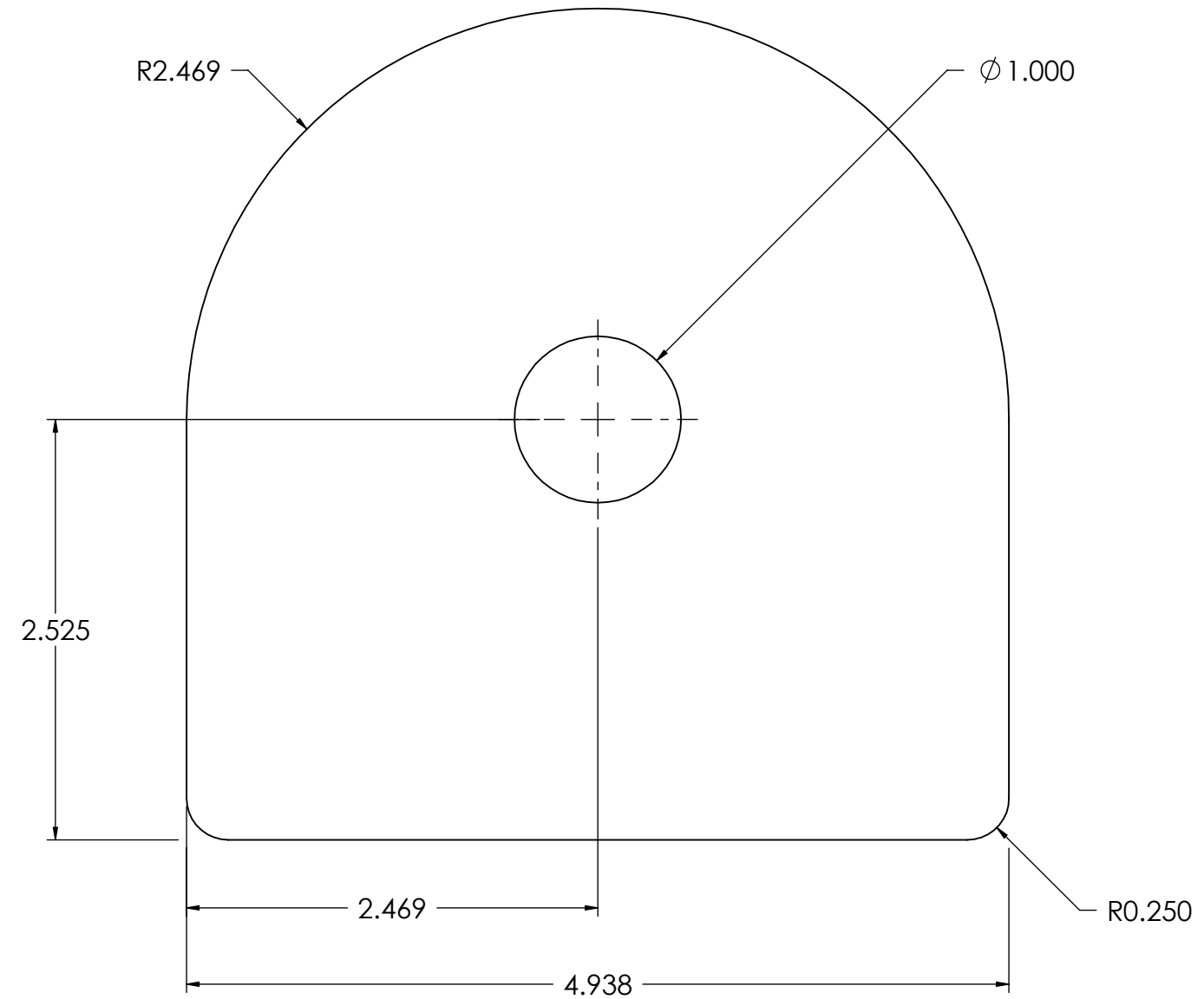
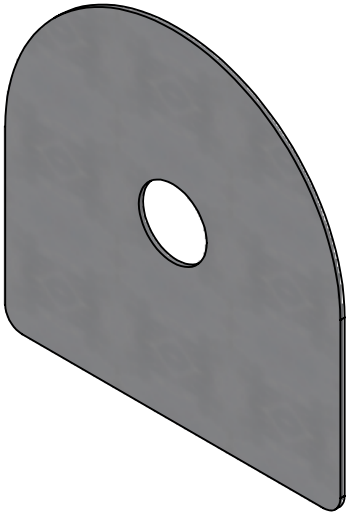


ITEM NO.	QTY.	PART NUMBER	LEGACY	DESCRIPTION	MATERIAL	GRADE
1	10	105051	ES15-W0108	SPCR UHMW WH ES15 LW SHV	1/16" SHEET: CUT TO 5" X 5"	UHMW WHITE

REVISIONS			
REV.	DESCRIPTION	BY	DATE
00	EPDM MIGRATION RELEASE WITH VISUAL PART ID	DEC	2023-07-04



GENERAL NOTES
 1. REMOVE ALL BURRS AND BREAK SHARP EDGES AND CORNERS .75mm [.03in] MAX.

UNLESS OTHERWISE SPECIFIED, DIMENSIONS ARE IN INCHES.

METRIC	X	.X	.XX	ANGLES
	±1.25	±.4	±.125	±1°
IMPERIAL	.X	.XX	.XXX	ANGLES
	±.03	±.015	±.005	±1°



COPYRIGHT 2016 ADVANTEC GLOBAL INNOVATIONS. ALL RIGHTS RESERVED. CONFIDENTIAL PROPERTY OF ADVANTEC GLOBAL INNOVATIONS. UNAUTHORIZED USE, REPRODUCTION OR DISTRIBUTION IS STRICTLY PROHIBITED. COPIES REMAIN THE PROPERTY OF ADVANTEC GLOBAL INNOVATIONS AND MUST BE RETURNED UPON REQUEST.

DWG TITLE
 SPCR UHMW WH ES15 LW SHV

LEGACY
 ES15-W0108

SCALE	DRAWN	DATE	CHECKED	DATE	SIZE
1:1	G.R.			1800-01-02	B

DWG NO	SHEET	REV
105051	1 of 1	00