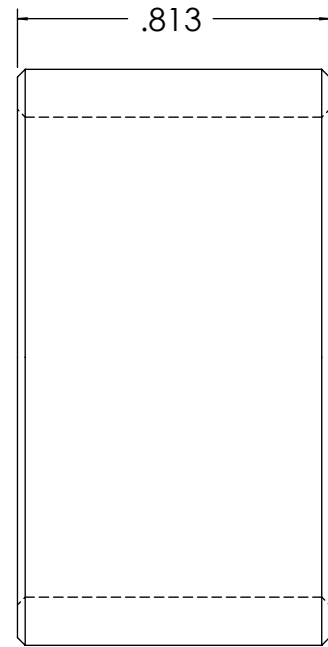
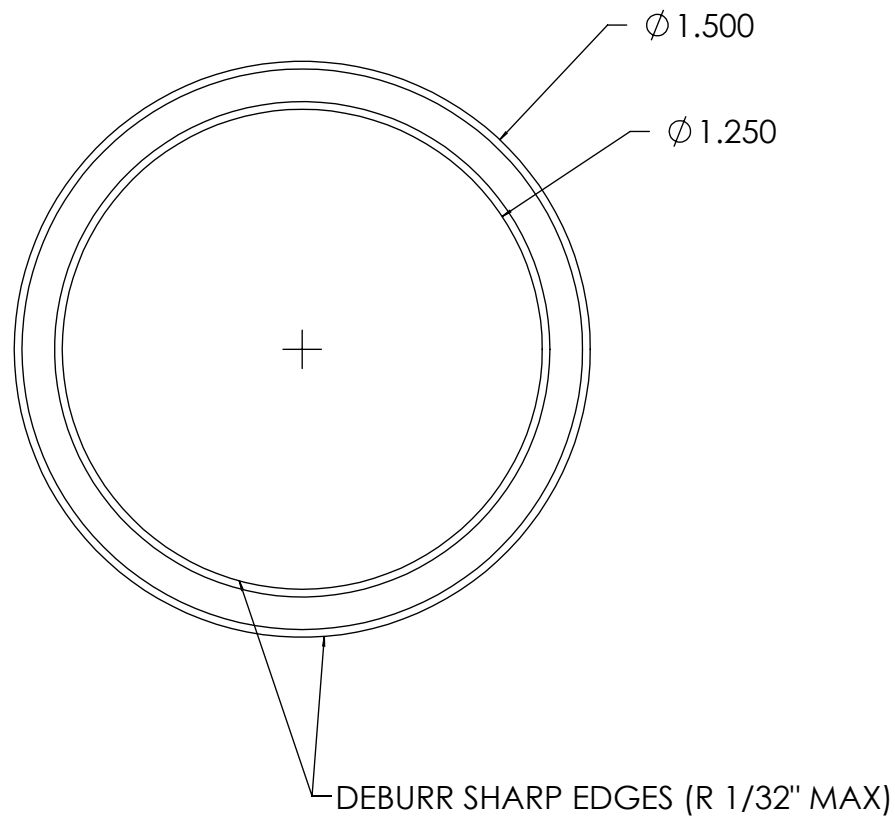


ITEM NO.	QTY.	PART NUMBER	LEGACY	DESCRIPTION	Material
1	1	104737	CT25-AL-W0104	BUSH FCJ GRN 1.25ID 1.50Dx.813	



REVISIONS

REV.	DESCRIPTION	BY	DATE
00	EPDM MIGRATION RELEASE WITH VISUAL PART ID	ASP	2023-04-19

GENERAL NOTES

1. REMOVE ALL BURRS AND BREAK SHARP EDGES AND CORNERS .75mm [.03in] MAX.

UNLESS OTHERWISE SPECIFIED, DIMENSIONS ARE IN MILLIMETERS. TOLERANCES FOR ROUGH AND CLEAR OPENINGS ARE $\pm 3\text{mm}$ (.125"). ALL OTHERS ARE:

METRIC	X	.X	.XX	ANGLES
	± 1.25	$\pm .4$	$\pm .125$	$\pm 1^\circ$
IMPERIAL	.X	.XX	.XXX	ANGLES
	$\pm .05$	$\pm .015$	$\pm .005$	$\pm 1^\circ$



COPYRIGHT 2016 ADVANTEC GLOBAL INNOVATIONS. ALL RIGHTS RESERVED. CONFIDENTIAL PROPERTY OF ADVANTEC GLOBAL INNOVATIONS. UNAUTHORIZED USE, REPRODUCTION OR DISTRIBUTION IS STRICTLY PROHIBITED. COPIES REMAIN THE PROPERTY OF ADVANTEC GLOBAL INNOVATIONS AND MUST BE RETURNED UPON REQUEST.

DWG TITLE
**BUSH FCJ GRN 1.25ID
 1.50Dx.813**

LEGACY
CT25-AL-W0104

SCALE	DRAWN	DATE	CHECKED	DATE	SIZE
2:1	ASP	2023-04-19			B

DWG NO	SHEET	REV
104737	1 of 1	00

