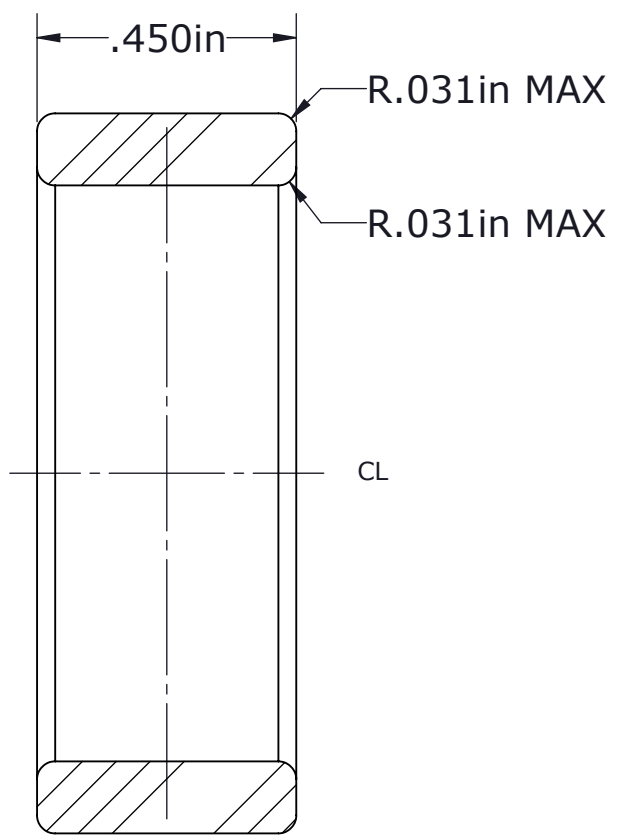
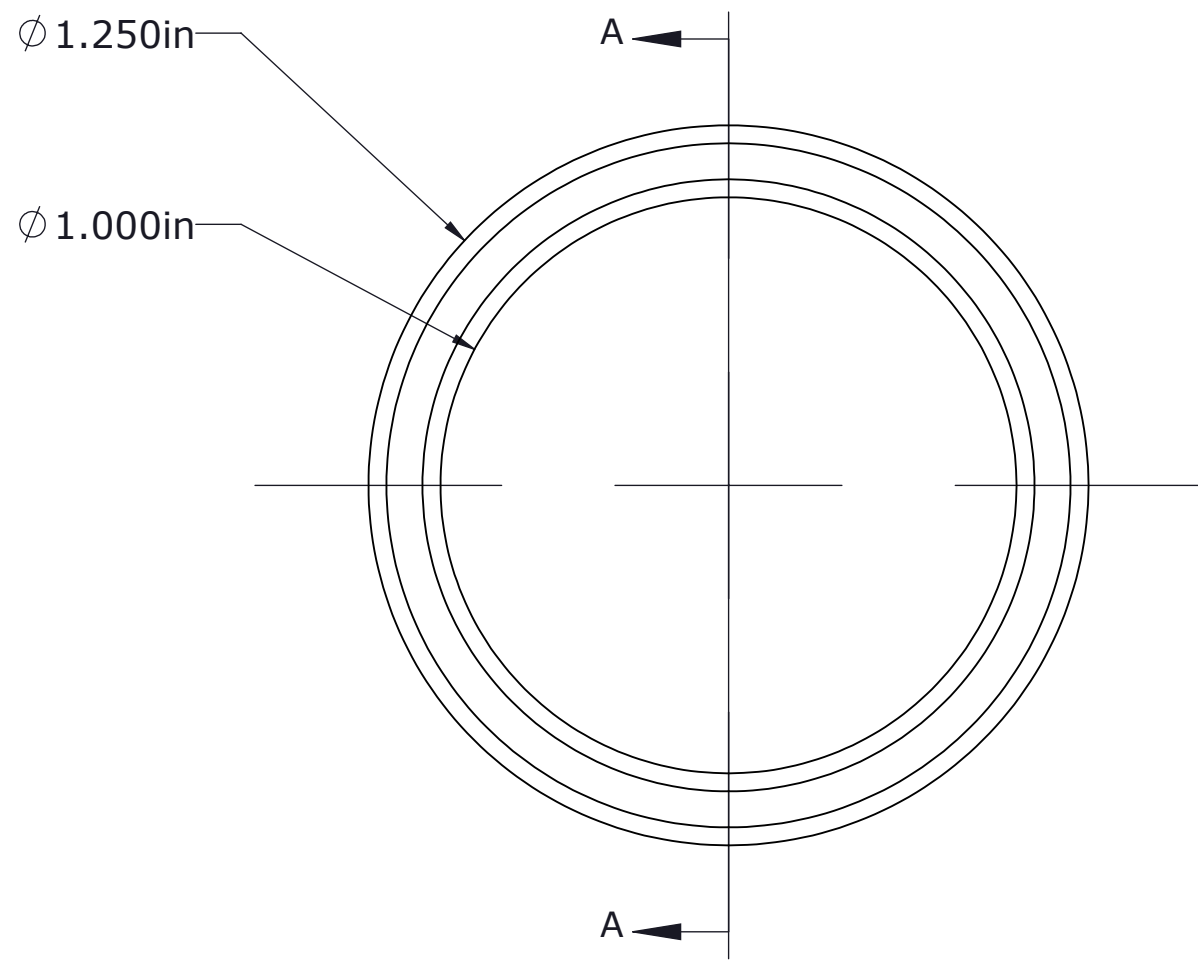
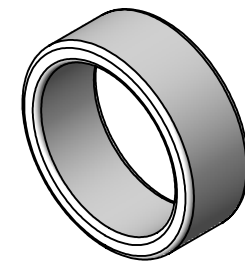


ITEM	QTY	PART NUMBER	LEGACY	DESCRIPTION	MATERIAL
1	1	104231	ES10-W0105	BUSH FCJ GRN 1INID 1.25INOD .45	Custom Plastic

REVISIONS			
REV.	DESCRIPTION	BY	DATE
00	EPDM MIGRATION RELEASE WITH VISUAL PART ID	DEC	2023-05-28



CL
SECTION A-A

- GENERAL NOTES**
1. REMOVE ALL BURRS AND BREAK SHARP EDGES AND CORNERS .75mm [.03in] MAX.
 2. TOLERANCE: +/- 0.010"
 3. MATERIAL: FCJ



COPYRIGHT 2016 ADVANTEC GLOBAL INNOVATIONS. ALL RIGHTS RESERVED. CONFIDENTIAL PROPERTY OF ADVANTEC GLOBAL INNOVATIONS. UNAUTHORIZED USE, REPRODUCTION OR DISTRIBUTION IS STRICTLY PROHIBITED. COPIES REMAIN THE PROPERTY OF ADVANTEC GLOBAL INNOVATIONS AND MUST BE RETURNED UPON REQUEST.

DWG TITLE
BUSH FCJ GRN 1INID 1.25INOD .45

LEGACY
ES10-W0105

SCALE	DRAWN	DATE	CHECKED	DATE	SIZE
3:1	DK	2019-02-14	NC	2019-02-14	B

DWG NO	SHEET	REV
104231	1 of 1	00

