



**Woodendot**

MAIN COLLECTION

LIVE DESIGN

# INDEX

ABOUT	4
DESIGN	5
WOOD	6
MADE	7
FOOTPRINT	8

## COLLECTIONS 9 - 122

10	28	45	61
11	34	46	62
17	39	51	67
		56	71
23			
76	82	98	105
77	77	100	106
78	82	103	110
	87		

## 103 - 149

117	132	142	153
122	133	143	158
127	137	148	

## 150 - 170

163	174
169	179

## CREDITS 184

\*Interactive index click on the corresponding category to go.

# ABOUT



WOODENDOT was born of the smell of wood from, the passion for design and a number of circumstances and experiences lived by Daniel and María that inspired them around 2013 to set up the firm.

At WOODENDOT we create furniture, accessories and lighting products using wood as the main material; a material that brings our dreams to life. We design products that live in harmony with people, the pivot of our existence.

We combine the know-how of master wood craftsmen with the most innovative proposals from designers. The result is a product with its own identity, the warmth of wood; a product that can respond to new needs while looking to the future thanks to its timeless nature.

Everything we do at WOODENDOT seeks to always look after what we love, nature!

WOODENDOT nace del olor a madera, de la pasión por el diseño y de una serie de circunstancias y experiencias vividas por Daniel y María que les impulsaron allá por el 2013 a fundar la firma.

En WOODENDOT creamos productos de mobiliario, accesorios e iluminación con la madera como material principal, un material que da vida a nuestros diseños. Diseñamos productos por y para que convivan con las personas, nuestra razón de ser.

Fusionamos el saber hacer de maestros artesanos de la madera con las propuestas más innovadoras de diseñadores. El resultado son productos con identidad propia, con la calidez que le aporta la madera, capacitados para dar respuesta a las nuevas necesidades y para mirar al futuro gracias a su carácter atemporal.

Todo lo que hacemos en WOODENDOT trata de cuidar siempre aquello que amamos, la naturaleza!

# DESIGN

LIVE DESING! This is our mantra, a mantra that connects all our values:

Live desing!, because our products are designed to live in harmony with people, creating natural, warm, distinctive, timeless spaces.

Live desing!, because we believe in “fewer, but better”, fewer products but with more emotional value, easier to use with several functionalities, long-lasting, and transcending mere trends.

Live desing!, because good design and quality go hand in hand. We carefully select all the materials with which our master craftsmen create each of our products.

Live design!, because we create products with personality, friendly, harmoniously balanced and elegant, but always expressive and functional.

Live design! because our products are functional and versatile, adapting to the changing needs of people and contributing to creating environments that share our lives.

Live desing!, because our creativity always seeks innovation at all levels: people, environment, concept, product, processes, collaborations and so on.

Live desing!, because our products are timeless, with identity, that can be integrated into any environment, evolving and accompanying us all our lives.

Live desing!, because nature is living and it provides us with our most prized asset – wood. Looking after it is our commitment and our obligation.

LIVE DESING! Este es nuestro mantra, un mantra que conecta todos nuestros valores:

Live desing!, porque nuestros productos están diseñados para convivir con las personas, creando espacios vivos, cálidos, singulares y perdurables en el tiempo.

Live design!, porque creemos en “menos, pero mejor”; menos productos pero con más valor emocional, más sencillos de usar, con varias funcionalidades, duraderos y ajenos a modas.

Live design!, porque el buen diseño y la calidad van de la mano. Seleccionamos cuidadosamente todos los materiales con los que nuestros maestros artesanos elaboran cada uno de nuestros productos.

Live design!, porque creamos productos con personalidad, amables, equilibrados y elegantes, pero siempre expresivos y funcionales.

Live design!, porque nuestros productos son funcionales y versátiles, adaptándose a las necesidades cambiantes de las personas y contribuyendo a crear entornos vivos.

Live design!, porque nuestra creatividad está permanentemente buscando la innovación a todos los niveles: personas, medio ambiente, concepto, producto, procesos, colaboraciones...

Live design!, porque nuestros productos son atemporales, con identidad, capacitados para integrarse en cualquier ambiente, evolucionando y acompañándonos a lo largo de nuestras vidas.

Live design!, porque la naturaleza está viva y nos proporciona nuestro bien más preciado, la madera. Cuidar de ella es nuestro compromiso y nuestra obligación.

# WOOD

## UNIQUE PIECES

We will never find two identical trees in a forest, their rings grow at different rhythms and their colours have an infinite number of subtle differences. Trees are the essence of our products, making each one unique.

## SENSATIONS

Smell, touch, see, feel... Wood awakens our senses, enabling us to enjoy a wealth of pleasurable sensations; sensations that take us to a natural, warm, cosy world.

## WE LOVE NATURE

When we select wood for our products, as well as quality we also take into account local sourcing and its sustainable origin because this means minimum transportation and the assurance that in the process of its extraction the environment is respected, thereby guaranteeing the future of the forest.

## SURFACE TREATMENTS

Wood is a living material therefore it changes over time; with the application of surface treatment we protect the wood, we enhance the intrinsic beauty of the material and prolong its life.

## PIEZAS ÚNICAS

En un bosque nunca encontraremos dos árboles iguales, sus anillos se mueven a ritmos distintos y sus aromas y colores tienen infinidad de matices. Los árboles son la esencia de nuestros productos, haciendo único a cada uno de ellos.

## SENSACIONES

Oler, tocar, ver, sentir... la madera despierta nuestros sentidos y nos permite disfrutar de un inmenso abanico de sensaciones placenteras, sensaciones que nos trasladan a un mundo natural, cálido y acogedor.

## AMAMOS LA NATURALEZA

Cuando seleccionamos madera para nuestros productos, además de calidad, también tenemos en cuenta que su procedencia sea cercana y su origen sostenible, ya que supone un mínimo transporte y la certificación de que en su proceso de extracción se ha respetado el medio ambiente, garantizando así el futuro de los bosques.

## TRATAMIENTOS SUPERFICIALES

La madera es un material vivo y, por lo tanto, va cambiando con el paso del tiempo. Con la aplicación de tratamientos superficiales protegemos la madera, realzamos la belleza intrínseca del material y prolongamos su vida.



# MADE



## CREATIVE COMBINATION: DESIGN, CRAFTSMANSHIP AND TECHNOLOGY

Our products are the result of combining design, craftsmanship and technology. An enriching combination that draws from the very best of creativity, skill and technological advances to generate unique products with strong emotional value.

## LOCAL: ÍSCAR

### “VILLAGE OF WOOD AND TRADITION”

All our products are made in Íscar (Spain), a village located in the very heart of “Tierra de Pinares” (“Land of Pines”), known for the traditional dedication of its inhabitants to the craft of woodworking.

Íscar is a village that looks to the future without forgetting its past, with firmly rooted, age old customs, a privileged place in which to create our products with a guarantee of the highest quality.

Most of our raw material comes from local suppliers, we support local development and traditional crafts.



## FUSIÓN CREATIVA: DISEÑO, ARTESANÍA Y TECNOLOGÍA

Nuestros productos son el resultado de fusionar diseño, artesanía y tecnología. Una fusión enriquecedora que se alimenta de lo mejor de cada uno de estos actores: la creatividad, el buen hacer y de los avances tecnológicos, para generar productos únicos con un alto valor emocional.

## LOCAL: ÍSCAR

### “VILLA DE MADERA Y SOLERA”

Todos nuestros productos se realizan en Íscar (España), localidad situada en pleno corazón de “Tierra de la Pinares”, que cuenta con la tradicional dedicación de sus habitantes en el trabajo artesano de la madera.

Íscar es una localidad que mira al futuro sin olvidar su pasado, de tradicionales y arraigadas costumbres, un lugar privilegiado en el que elaborar nuestros productos y una garantía de máxima calidad.

La mayoría de nuestra materia prima proviene de proveedores locales, apoyamos el desarrollo local y los oficios tradicionales.

# FOOTPRINT

Our commitment and our obligation is to look after what we love. This is why day by day we make every endeavour to improve our environmental policy.

## REDUCE

We design our products while maximising efficiency and generating minimal waste. Our products are shipped disassembled, thereby allowing smaller packaging while saving energy and volume in transport and the packaging material itself.

## LEGACY

We aim to create unique, timeless products that can be handed down from parent to child, thereby increasing their emotional value. We create products with personality that transcend mere trends using top quality materials.

## ACTIVISM

We believe that little gestures help to change the world and this is why at Woodendot we make every endeavour to take part in, promote and defend initiatives that improve the environment.

## LIFE CYCLE

During the design process, we try to minimize the environmental impact at each stage of the life cycle, from obtaining raw materials to the recycling of each piece. We evaluate the associated environmental impact and quantify the use of the material and energy as well as the waste produced.

Our objective is to evaluate and make improvements on an ongoing basis in order to reduce the environmental impact of our products and all our day-to-day activities with initiatives as simple as making the maximum use of natural light to obtaining 100% recyclable packaging.

Cuidar de aquello que amamos es nuestro compromiso y nuestra obligación, y por ello tratamos de mejorar día a día nuestra política medio ambiental.

## REDUCIR

Diseñamos productos maximizando la eficiencia y generando los mínimos residuos. Nuestros productos se envían desmontados, permitiendo un packaging reducido, que ahorra energía y volumen en el transporte y en el propio material de embalaje.

## HERENCIA

Nuestra intención es crear productos atemporales, únicos, que puedan heredarse de padres a hijos aumentando así su valor emocional. Elaboramos productos con personalidad, al margen de modas y con materiales de primera calidad.

## ACTIVISMO

Creemos que los pequeños gestos ayudan a cambiar el mundo. Por ello, en Woodendot tratamos de participar, promover y defender iniciativas que mejoren el medio ambiente.

## CICLO DE VIDA

Durante el proceso de diseño, tratamos de minimizar el impacto ambiental en las diferentes etapas del ciclo de vida, desde la obtención de la materia prima hasta el reciclado de cada pieza. Evaluamos las cargas ambientales asociadas y cuantificamos tanto el uso de la materia y la energía como los residuos producidos.

Nuestro objetivo es evaluar y realizar permanentemente mejoras que ayuden a reducir el impacto medio ambiental de nuestros productos y de todas nuestras actividades diarias. Con iniciativas tan simples que incluyen desde el aprovechamiento de la luz natural hasta conseguir un packaging 100% reciclable.



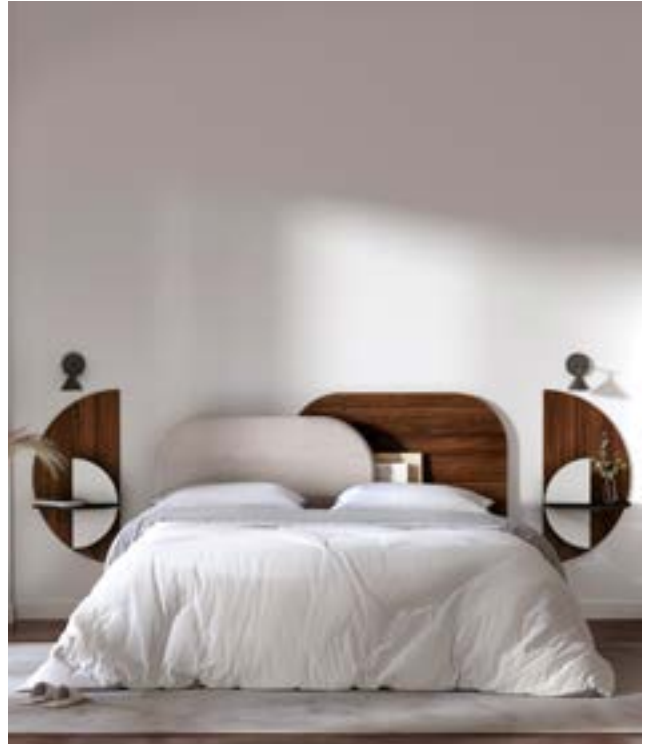
# COLLECTIONS

COLLECTION

# ALBA



ALBA HEADBOARD  
Modular Headboard.



ALBA FLOATING  
NIGHTSTAND  
Modular bedside table with  
hidden storage.



ALBA SLIM FLOATING  
NIGHTSTAND  
Modular narrow bedside table  
with hidden storage.



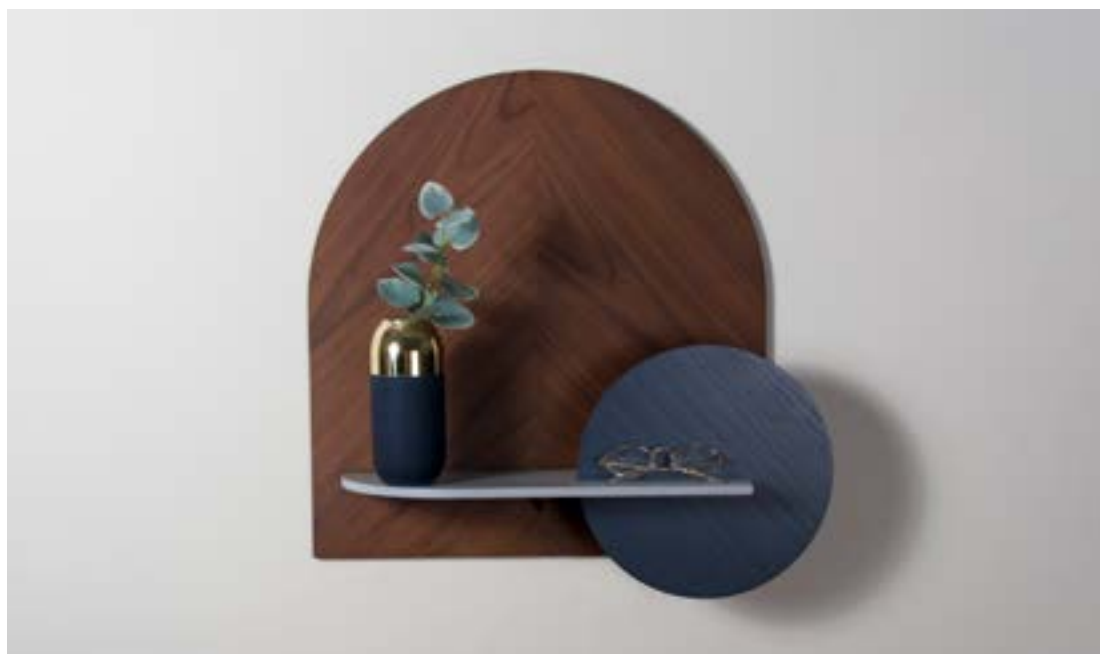
ALBA WALL SHELF  
Modular wall shelf.



COLLECTION

# ALBA

## Wall Shelf



Alba is a versatile product that can be used as a wall shelf and as a bedside table. Alba means “sunrise” in Spanish, hence its name, since the two front pieces of the product simulate the sun and the moon reflecting in the water when a new day dawns.

The modular system Alba is basically composed of 3 flat pieces of Plywood and a metal bracket that is fixed on the wall. The arrangement of these pieces in the space gives the product the ability to hide objects behind the vertical pieces, since there is a separation between them. In the shelf version (M), we have a small space behind the front piece (sun or moon) to hide small objects such as keys, a wallet, a smartphone, etc. In the night table version (L), we also have a back space, behind the bottom piece, which allows us to hide larger objects such as books, tablets, etc. In both versions there is a hidden

hole in the base that allows us to feed the cable to charge our devices.

Alba is fully customizable and you can configure more than 10,000 different options due to its multitude of shapes and finishes available. The bottom pieces are available in 4 different shapes and the front ones in two, but all of them together with the base of the table or shelf are available in 6 different finishes, ALL OF THEM combinable with each other. In addition the product works both right and left, it's the user who chooses the position before its easy setup.

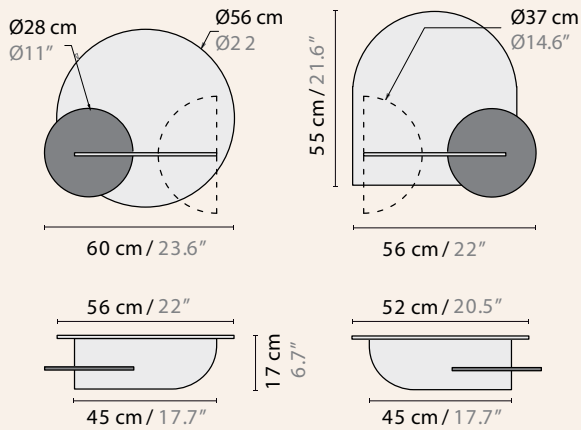
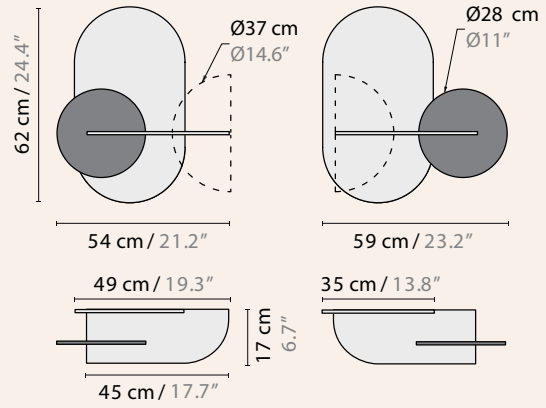
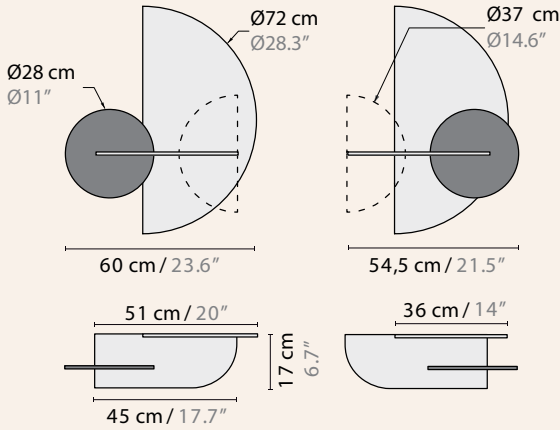
There are finishes in natural wood such as oak and walnut, but also color finishes applied on ash wood; white, black, gray and blue.



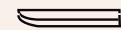




# ALBA Wall Shelf



Shelf cover:



Front panel:



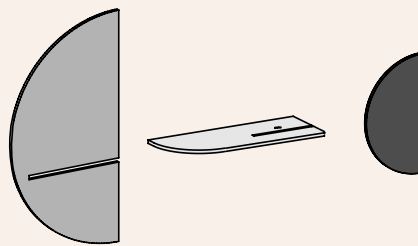
- Modular system configurable by the user
- Easily assembled to right and left
- Rear hole for feeding cables
- Depth of storage of 9 cm between wooden panels
- Matte finish
- Clean with damp cloth
- Delivered in a flat package

- 
- 3,5Kg / 8 lbs
- 4 Kg / 9 lbs  
60x60x10H cm / 24"x24"x4"H

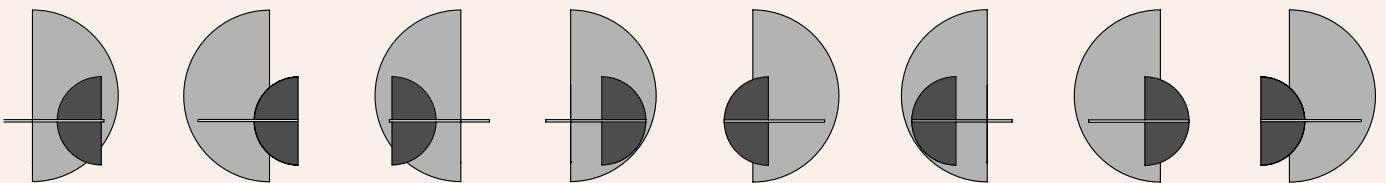
TECHNICAL SPECIFICATIONS

# ALBA Wall Shelf

MORE THAN  
**10.000** SETUPS  
Configure yours!



REAR PANEL + SHELF COVER + FRONT PANEL =  
UP TO 8 DIFFERENT OPTIONS





COLLECTION

# ALBA

## Floating Nightstand



Alba is a versatile product that can be used as a wall shelf and as a bedside table. Alba means “sunrise” in Spanish, hence its name, since the two front pieces of the product simulate the sun and the moon reflecting in the water when a new day dawns.

The modular system Alba is basically composed of 3 flat pieces of Plywood and a metal bracket that is fixed on the wall. The arrangement of these pieces in the space gives the product the ability to hide objects behind the vertical pieces, since there is a separation between them. In the shelf version (M), we have a small space behind the front piece (sun or moon) to hide small objects such as keys, a wallet, a smartphone, etc. In the night table version (L), we also have a back space, behind the bottom piece, which allows us to hide larger objects such as books, tablets, etc. In both versions there is a

hidden hole in the base that allows us to feed the cable to charge our devices.

Alba is fully customizable and you can configure more than 10,000 different options due to its multitude of shapes and finishes available. The bottom pieces are available in 4 different shapes and the front ones in two, but all of them together with the base of the table or shelf are available in 6 different finishes, ALL OF THEM combinable with each other. In addition the product works both right and left, it's the user who chooses the position before its easy setup.

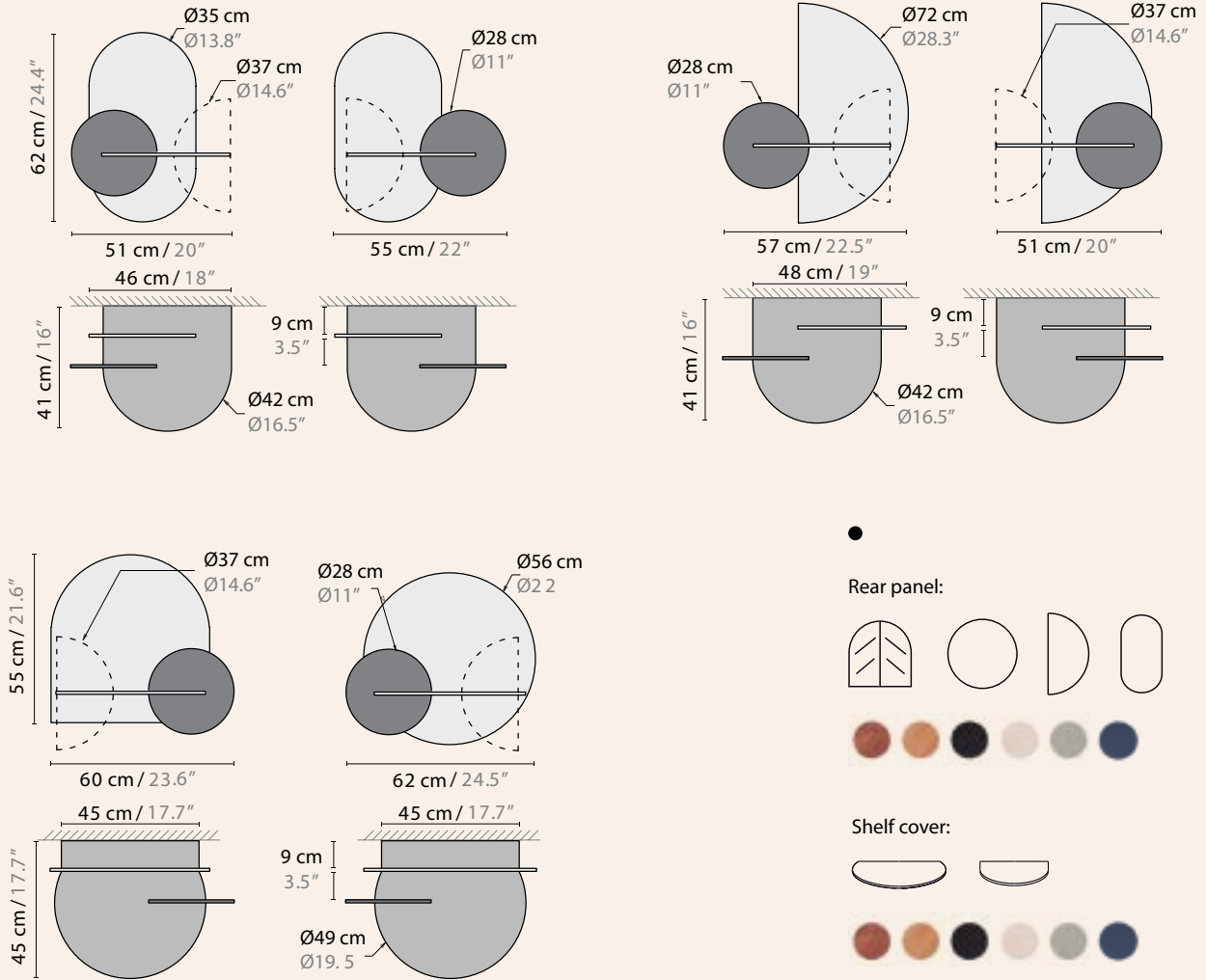
There are finishes in natural wood such as oak and walnut, but also color finishes applied on ash wood; white, black, gray and blue.







# ALBA Floating Nightstand



- Modular system configurable by the user
- Easily assembled to right and left
- Rear hole for feeding cables
- 9 cm depth of storage to the wall
- Depth of storage of 9 cm between wooden panels
- Matte finish
- Clean with damp cloth
- Delivered in a flat package

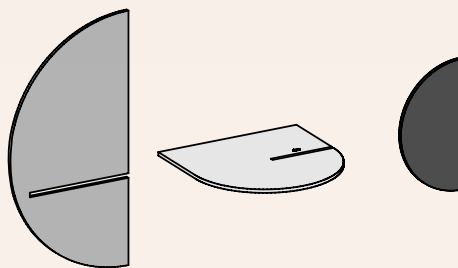


- 
- △ 4Kg / 9 lbs
- ☐ 4,5 Kg / 10 lbs  
60x60x10H cm / 24"x24"x4"H

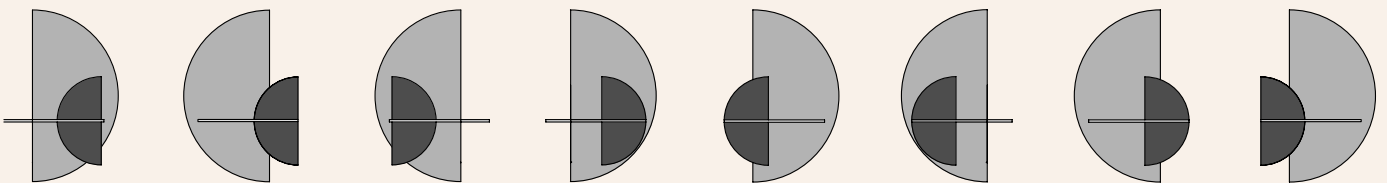
# ALBA

## Floating Nightsand

MORE THAN  
**10.000** SETUPS  
Configure yours!



REAR PANEL + TABLE COVER + FRONT PANEL =  
UP TO 8 DIFFERENT OPTIONS



# ALBA

## Slim Floating Nightstand



Inspired by sunrise, hence its name in Spanish, Alba is a versatile and modular piece available in 3 different versions as a wall shelf or bedside table.

Its narrower version, Alba L Slim, was born by reimagining the piece that started the ALBA Collection (Alba L), in a journey for it to fit small spaces and adapt to the user's needs in the fast forward lifestyle of cities.

Composed of 3 flat pieces of Plywood and a metal bracket that is fixed on the wall, Alba L Slim is as versatile as its collection companions; allowing the user to configure more than 10,000 different combinations due to its multitude of shapes and finishes available. Additionally, this piece includes a small space behind the front piece perfect to hide small objects such as keys or a smartphone.

Alba is available in natural Oak and Walnut wood, and in color finishes applied on Ash wood such as white, black, gray and blue.

Inspirada por el amanecer, de ahí su nombre, Alba es una versátil y modular pieza disponible en 3 versiones como una balda de pared o mesa de noche.

Su versión más estrecha Alba L Slim, nació al re-imaginar la pieza que empezó la ALBA Collection (Alba L), en una búsqueda para que esta se ajustara a espacios más pequeños y a las necesidades del usuario viviendo en ciudades concurridas.

Compuesto de 3 piezas aplanadas de Plywood y una base de metal que va instalada a la pared, Alba L Slim es tan versátil como sus compañeras de colección permitiéndole al usuario configurar más de 10,000 combinaciones diferentes gracias a la gran cantidad de formas y acabados disponibles. Adicionalmente, Alba L Slim incluye un pequeño espacio de almacenamiento oculto detrás de su pieza frontal perfecto para esconder objetos pequeños como llaves o móviles.

Alba está disponible en acabado de madera natural de roble, nogal y en acabados de color sobre madera de fresno como blanco, negro, gris y azul.



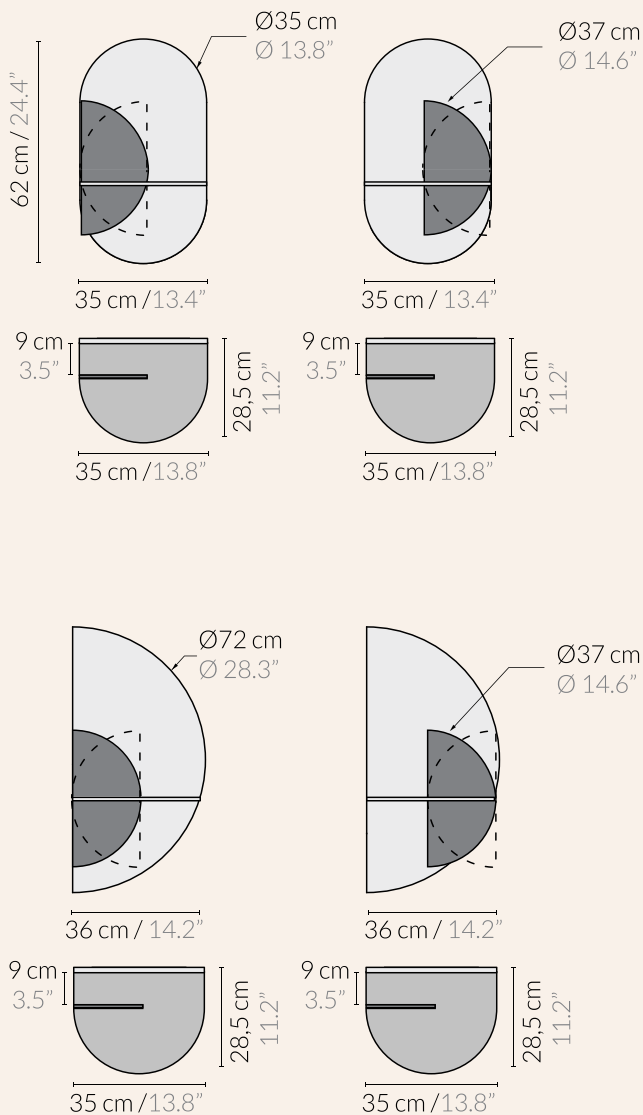






# ALBA

## Slim floating Nightstand



Modular system configurable by the user

Easily assembled right or left

Depth of storage of 9 cm between wooden panels

Rear hole for feeding cables

Matte finish

Clean with damp cloth

Delivered in a flat package

Custom color finishes available upon request

Rear panel:

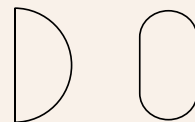
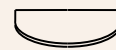


Table / Shelf cover:

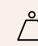



Front panel:



Colors:



 3 Kg / 7 lbs

 75x45x10H cm /  
28"x17"x4"H  
3,5kg / 8 lbs

COLLECTION

# ALBA

## Headboard



Our unique and best-selling ALBA Collection expands with the introduction of our ALBA Headboard.

This new addition to the ALBA Collection opens the possibilities for a cohesive bedroom with a strong personality and beautiful design while not resigning to the minimalistic and sustainable values we care deeply about.

Our Alba Headboard consists of two panels that overlap in the center, available in either sustainable wood finish or beautiful textile, and combined with a hidden shelf for small everyday items.

Nuestra colección Alba crece con la introducción de el cabecero ALBA.

Esta nueva adición a la Colección ALBA abre las posibilidades para un dormitorio cohesivo con una fuerte personalidad y hermoso diseño sin renunciar a los valores minimalistas y sostenibles que nos importan profundamente.

Nuestro cabecero Alba consta de dos paneles que se superponen en el centro, disponibles en acabado de madera sostenible o en un bonito tejido, y combinados con un estante oculto para pequeños objetos de uso diario.

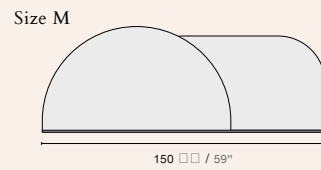
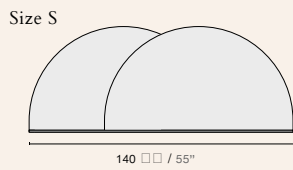
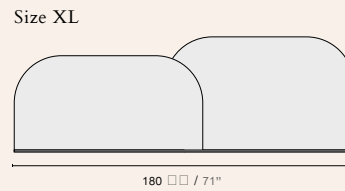
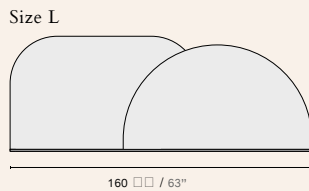
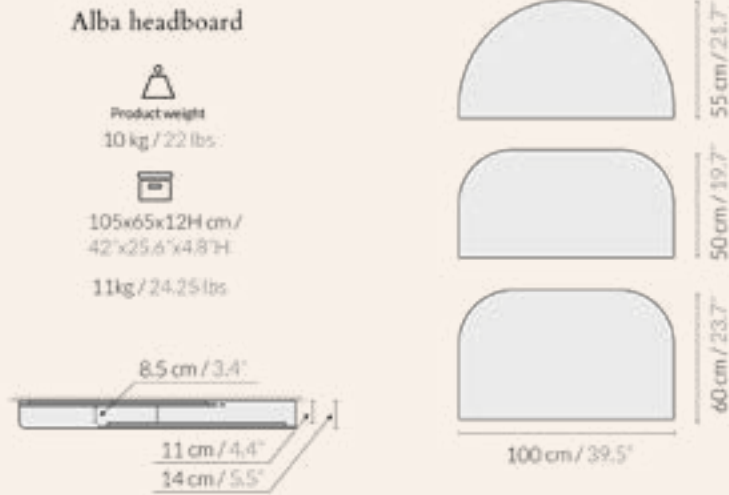








# ALBA HEADBOARD



- Fully modular and customizable, choose your favorite combination of shapes and color finishes, adapting to all bed sizes.

Invisible storage space between its panels.  
Hidden hole for cables.  
Add back lighting for more ambiance.

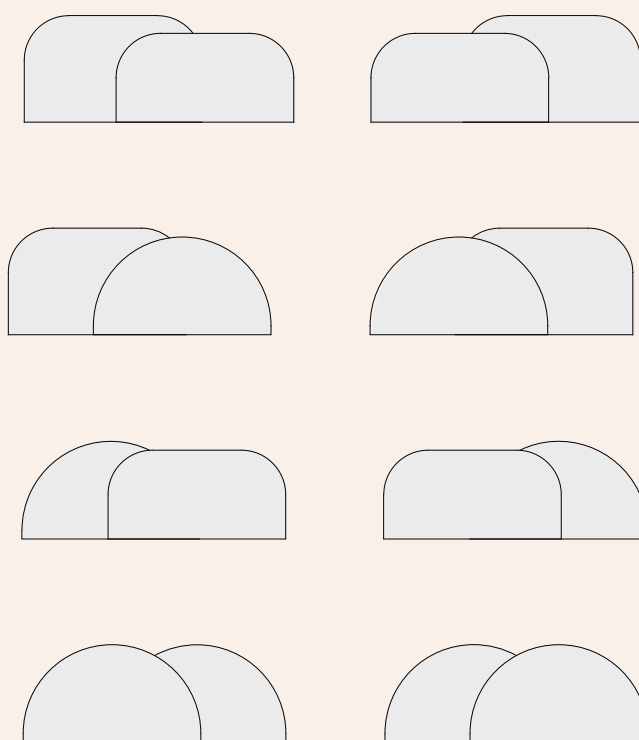


Light: YES / NO



# ALBA HEADBOARD

Combine it as you want!



#### LED Lighting:

- LED COB DC12V 320LED/m (warm light).
- Hand switch to turn on/off and to regulate the intensity.
- Plug: Type C (Euro-plug), for some countries you will need an adapter which is not included.



#### Installation

- Weight: 10kg/22lbs.
- Must be screwed to the wall. Safe to install on drywall/plasterwall.
- You can switch the side of the panels of your Alba Headboard at home.



#### Textile:

- Waterproof and anti-stain fabric (clean with a damp cloth).
- 100% solution dyed acrylic textile.
- Flame retardant. UNE 1021 PARTS 1-2 IMO PEF 2010 Anex 1. Part 8 BS 5852 Cigarette & Match.
- Mould resistant.
- UV resistant.
- Children and pets friendly.
- Five year warranty included.

COLLECTION

# ALADA



pag — 34

Inspired by the movement that birds draw on the sky when they move their wings up and down, Alada is a timeless and discreet folding desk that adapts to your lifestyle and space.

Alada seamlessly transforms from a wall desk to a decorative shelf in just seconds. When open it gives you a full home office experience, when folded it transforms the look of your space making it more beautiful.

Alada is available in two different finishes.

Inspirado en el movimiento que dibujan las aves al subir y bajar sutilmente sus alas, Alada es un escritorio plegable atemporal y discreto que se adapta a tu estilo de vida y espacio.

Alada se transforma sin problemas de un escritorio de pared a una estantería decorativa en solo segundos. Cuando está abierto te da una experiencia completa de home office, cuando está cerrado transforma tu espacio haciéndolo más hermoso.

Alada está disponible en dos acabados diferentes.



longlisted  
dezeen  
awards 2021

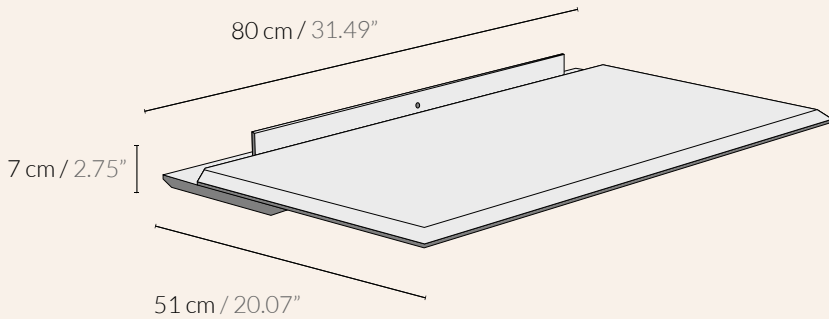
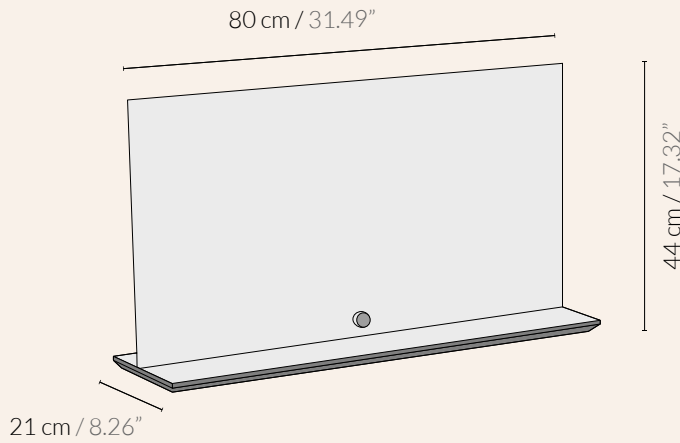








# ALADA




- AD-M-OAK      Oak Alada floating folding desk
- AD-M-BLK      Black Alada floating folding desk
- AD-M-WHT      White Alada floating folding desk
- AD-M-WPO      White Pigmented Oak Alada floating folding desk



- Multifunctional as a desk and shelf
- Invisible storage space
- A minimal stopper holds it up when closed
- Can be installed at any height
- Easily assembled with help from the included manual
- Installation kit included (screws and keys)
- Clean with damp cloth
- Custom finishes available upon request



 10 Kg / 22 lbs

 90x50x15H cm /  
35.4"x19.6"x5.9"H  
11kg / 24.25 lbs

COLLECTION

# CLOE

Crafted from solid sustainable Oak wood, Cloe Modular Storage System design has eyelid-shaped corners that make a rounded profile and seamlessly meet its vertical legs, creating the illusion that the piece has just been carved out of a block of wood. Its minimalism is complemented by a meticulous design in which all hardware and joints are completely hidden throughout its structure. Integrating in this way different modules crafted in two sizes, a low module perfect for displaying items, and a higher one designed to add doors and conceal what the user needs.

Its design is completed with reversible doors either made out of wood with a vertical carving design on one side, and a smooth texture on the other, bringing two different styles for the piece and the possibility to completely conceal objects inside. Or a second option of metal doors with a cut-out design that can be overlapped to create different patterns, concealing objects in a delicate way with a bit of visibility from outside. All pieces are available in two color finishes, its materials include sustainable solid Oak wood.

Creado con madera maciza de roble sostenible, el diseño de el sistema modular de almacenamiento Cloe tiene esquinas en forma de párpado que forman un perfil redondeado y se unen a la perfección con sus patas verticales, creando la ilusión de que la pieza acaba de ser tallada en un bloque de madera. Su minimalismo se complementa con un meticuloso diseño en el que todos los herrajes y uniones quedan completamente ocultos en su estructura. Integrando así diferentes módulos elaborados en dos tamaños. uno bajo perfecto para exponer objetos, y otro más alto diseñado para añadir puertas y ocultar lo que el usuario necesite.

Por último, el diseño de Cloe se completa con puertas reversibles de madera, con un diseño tallado verticalmente en un lado y una textura lisa en el otro, o una segunda opción con puertas de metal con diseño esculpido que puede superponerse para crear diferentes diseños, ocultando objetos con un poco de visibilidad desde el exterior. Todas las piezas están disponibles en dos acabados de color, sus materiales incluyen madera maciza de roble sostenible.







**Woodendot**  
LIVE DESIGN







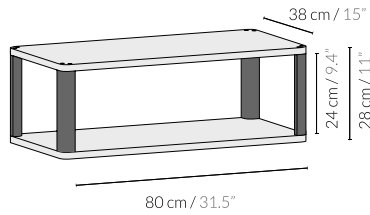
TECHNICAL SPECIFICATIONS

# CLOE



## MODULES

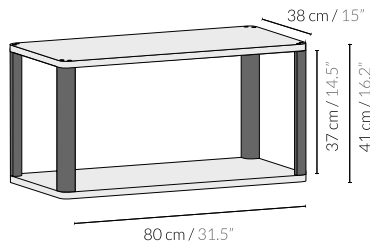
### Low Module Cloe

 5kg / 11 lbs  
 6.5 kg / 13.2 lbs  
 48x90x19-25H cm /  
 19"x35.4"x7.4-10"H

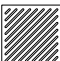





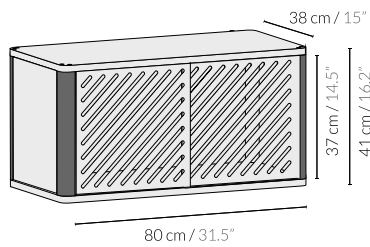
### High Module Cloe

 6 kg / 13.2 lbs  
 7 kg / 15.4 lbs  
 50 x 90 x 19-25H cm /  
 20" x 35.5" x 7.5-10"H



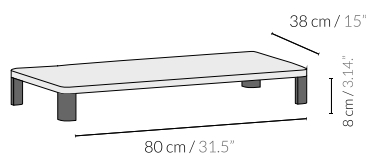
### High Closed Module Cloe

Metal  Wood   
 7.5 kg / 16.5 lbs  
 8.5 kg / 19 lbs  
 50 x 90 x 19-25H cm /  
 20" x 35.5" x 7.5-10"H



### Base Module Cloe

 4 kg / 8,81 lbs



- 
- Modular system configurable by the user.
- Mix & combine, interchangeable modules.
- Super easy assembly and instructions.
- Flat package delivery.
- Clean with a damp cloth.

- 
- Stackable up to 2 meters high.
- Three modules available, two different heights.
- Reversible sliding doors in wood or metal.
- Change the modules at home, transform it into whatever you need.
- Rounded vertical profile corners with eyelid shape.

Finish:



Doors:



Note: Each vertical modular configuration must include a base and is recommended to be a maximum 2 meters.

# CLOE

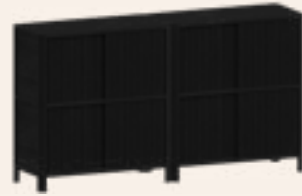
PRE-CONFIGURATIONS



Side Table



TV Stand/Bench



Sideboard



Console



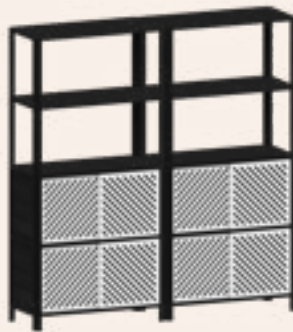
Cabinet



Shelf (One Unit)



Bookcase



Room Divider



Shelf (Two Units)

Configurations are referential, you can pick where to place each module when building.

Finish:



Doors:



COLLECTION

# BATEA



COLLECTION

# BATEA S

The smallest member of the Batea family, inspired by traditional serving trays, provides extra functionality with its solid wooden tray, easy to remove and use. A side tray table that combines tradition and modernity, adapting to the dynamics of each space.

With clean, rounded lines, this piece comprises a wood veneer tabletop and solid wood legs that can be easily attached to a lacquered metal structure.

Available in seven different finishes, two natural finishes made of oak wood and five in colour made of ash.

La pequeña de la familia Batea, inspirada en las tradicionales bandejas para servir, aporta funcionalidad extra con su bandeja de madera maciza, fácil de extraer y de utilizar. Una mesa que fusiona tradición y modernidad, adaptándose al dinamismo de cada espacio.

De líneas limpias y redondeadas, se compone de una bandeja y tres patas de madera maciza, que se montan fácilmente sobre una estructura de metal lacado.

Disponible en siete acabados diferentes, dos acabados naturales elaborados con madera de roble y cinco en color elaborados con madera de fresno.





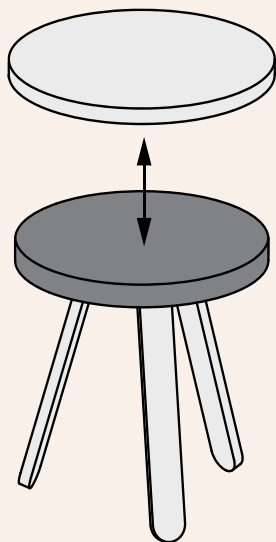
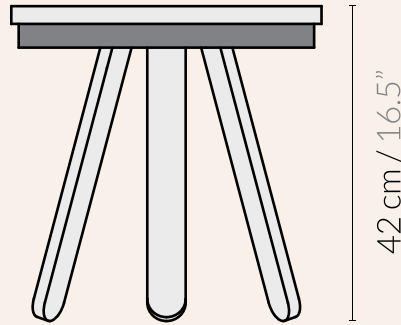
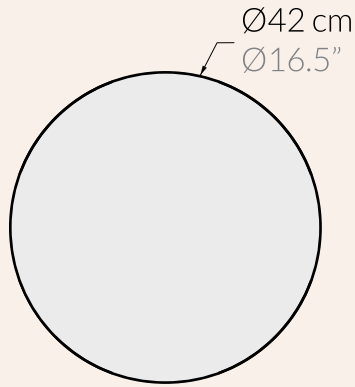








# BATEA S




- BA-S-WB Small Walnut-Black Batea tray table
- BA-S-OW Small Oak-White Batea tray table
- BA-S-OB Small Oak-Black Batea tray table
- BA-S-WHT Small White Batea tray table
- BA-S-BLK Small Black Batea tray table
- BA-S-GRY Small Grey Batea tray table - RAL 7040
- BA-S-BLU Small Blue Batea tray table - RAL 5011



Tray table made of ash/ oak/ walnut veneer  
Legs made of solid ash/ oak/ walnut  
Structure in lacquered steel  
Matte finish  
Clean with damp cloth  
Easily assembled  
Delivered in a flat package



 4 Kg / 8.8 lbs

 4.5 Kg / 10 lbs

445 x 45 x 12H cm / 18" x 18" x 5"H

COLLECTION

# BATEA M

The medium size member of the Batea family has an extra functionality, a small storage space under its table top where you can keep those small everyday objects out of sight. A coffee table that combines tradition and modernity, adapting to the dynamics of each space.

With clean, rounded lines, this piece comprises a wood veneer tabletop and solid wood legs that can be easily attached to a lacquered metal structure.

Available in seven different finishes, two natural finishes made of oak wood and five in colour made of ash.

La mediana de la familia Batea, cuenta con una funcionalidad extra, un pequeño espacio de almacenaje bajo su base que permite recoger esos pequeños objetos cotidianos. Una mesa que fusiona tradición y modernidad, adaptándose al dinamismo de cada espacio.

De líneas limpias y redondeadas, se compone de una bandeja y tres patas de madera maciza, que se montan fácilmente sobre una estructura de metal lacado.

Disponible en siete acabados diferentes, dos acabados naturales elaborados con madera de roble y cinco en color elaborados con madera de fresno.



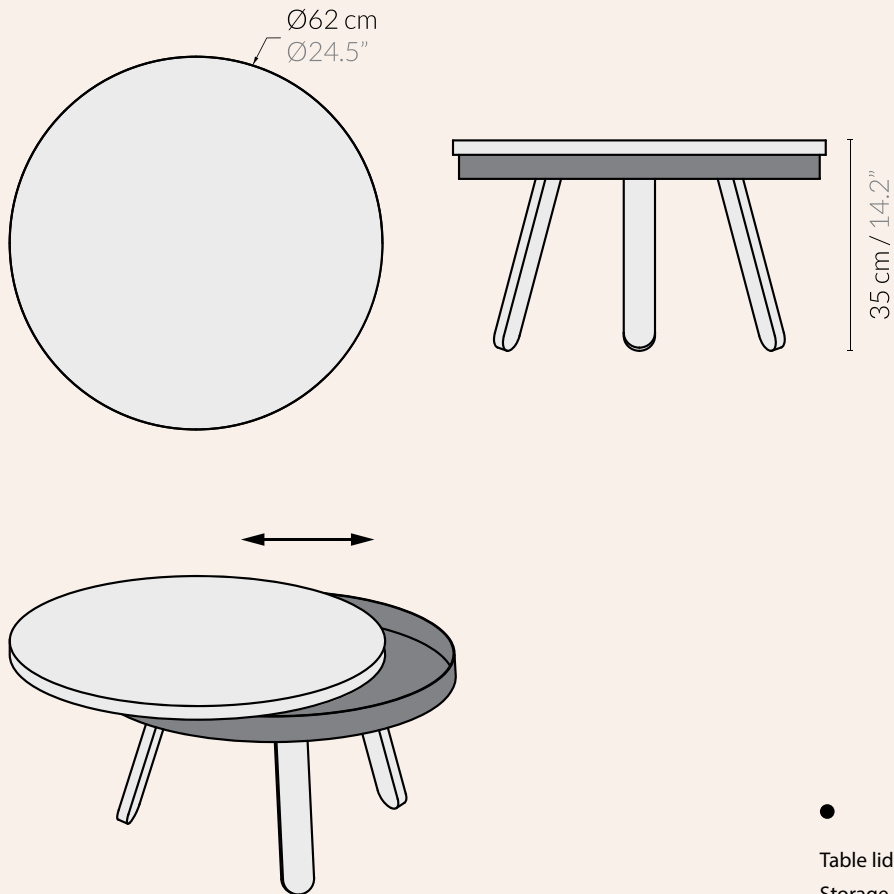








# BATEA M



- BA-M-WB Medium Walnut-Black Batea coffee table
- BA-M-OW Medium Oak-White Batea coffee table
- BA-M-OB Medium Oak-Black Batea coffee table
- BA-M-WHT Medium White Batea coffee table
- BA-M-BLK Medium Black Batea coffee table
- BA-M-GRY Medium Grey Batea coffee table - RAL 7040
- BA-M-BLU Medium Blue Batea coffee table - RAL 5011



- Table lid fully removable  
Storage depth of 4,5 cm  
Table lid made of ash/ oak/ walnut veneer  
Legs made of solid ash/ oak/ walnut  
Structure in lacquered steel  
Matte finish  
Clean with damp cloth  
Easily assembled  
Delivered in a flat package

●  
8 Kg / 17.6 lbs

9 Kg / 19.8 lbs  
65 x 65 x 14H cm / 25.6" x 25.6" x 5.5"H

COLLECTION

# BATEA L



The largest member of the Batea family has a large storage space that opens up when you slide back the table top. A coffee table that combines tradition and modernity, adapting to the dynamics of each space, keeping everything in order.

With clean, rounded lines, this piece comprises a wood veneer tabletop and solid wood legs that can be easily attached to a lacquered metal structure.

Available in oak and black and white lacquered metal finishes.

La mayor de la familia Batea, cuenta con un gran espacio de almacenaje que se descubre al deslizar su base. Una mesa que fusiona tradición y modernidad, adaptándose al dinamismo de cada espacio, facilitando su orden.

De líneas limpias y redondeadas, se compone de base y cuatro patas de madera maciza, que se montan fácilmente sobre una estructura de metal lacado y madera.

Disponible en madera de roble y acabados metal lacado negro y blanco.



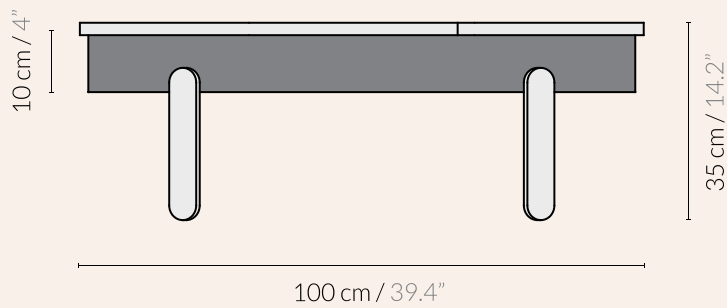
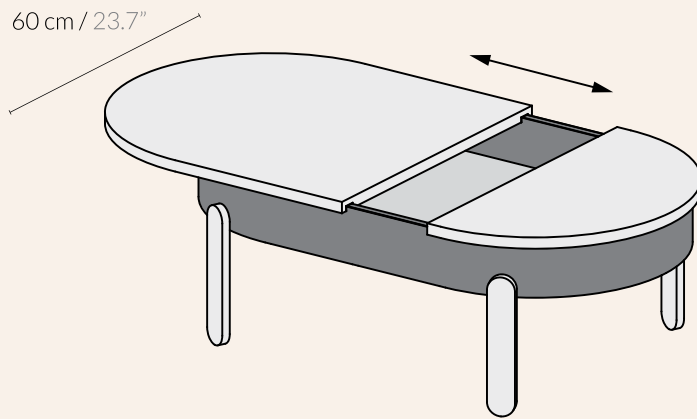






TECHNICAL SPECIFICATIONS

# BATEA L



- BA-L-WB Large Walnut-Black Batea coffee table
- BA-L-OW Large Oak-White Batea coffee table
- BA-L-OB Large Oak-Black Batea coffee table



- Sliding lid made of ash/ oak/ walnut veneer
- Legs made of solid ash/ oak/ walnut
- Structure in lacquered steel
- Matte finish
- Clean with damp cloth
- Easily assembled
- Delivered in a flat package

●  
⚠ 14 Kg / 30.8 lbs

📦 15 Kg / 33 lbs  
105 x 65 x 15H cm / 41.3" x 25.6" x 6"H

COLLECTION

# CIELO



pag — 61



**CIELO SHELF**  
Minimal Wall Shelf



**CIELO HOOK**  
Minimal Wall Hook



**CIELO CABINET**  
Wall Storage Cabinet

COLLECTION

# CIELO SHELF

Cielo is the result of taking inspiration from the never-ending group of things that represent and compose the sky and translating it into a set of unique organizational pieces.

Our Cielo Shelf is a unique minimalist wall piece perfect for placing decoration with a careful design that highlights its wood vein and includes a front ledge.

Carefully designed to work as a composition, the Cielo Shelf is available in three different sizes and five color finishes, complemented by the collection's iconic leaf shape that represents movement and the organic shapes we find in nature.

Cielo se inspira en el interminable conjunto de cosas que representan y componen el cielo, traducido en un conjunto de piezas únicas para la organización.

Nuestra balda de pared Cielo, es una pieza única y minimalista perfecta para añadir elementos de decoración; con un diseño cuidadoso que resalta la veta de la madera e incluye un borde delantero.

Diseñada meticulosamente para que funcione como una composición, la balda de pared Cielo está disponible en tres tamaños diferentes y cinco acabados de color, complementados por el icónico diseño de la colección en forma de hoja que representa el movimiento y las formas orgánicas de la naturaleza.



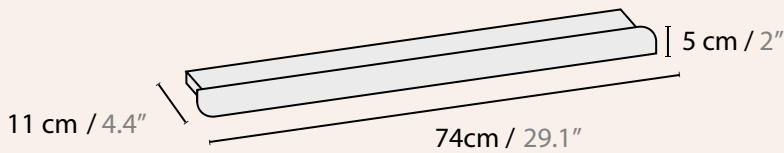
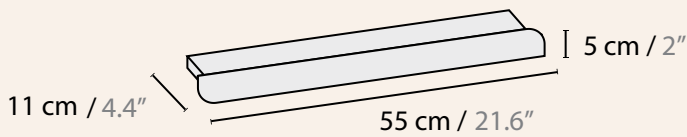
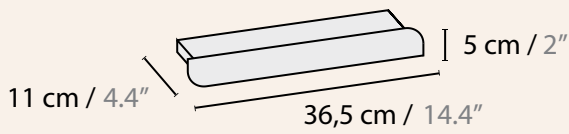








# CIELO SHELF



CI-SL-BLK

CI-SM-BLK

CI-SS-BLK

CI-SL-OAK

CI-SM-OAK

CI-SS-OAK

CIELO Shelf - Black, Large

CIELO Shelf - Black, Medium

CIELO Shelf - Black, Small

CIELO Shelf - Oak, Large

CIELO Shelf - Oak, Medium

CIELO Shelf - Oak, Small

CI-SL-WLN

CI-SM-WLN

CI-SS-WLN

CI-SL-WHT

CI-SM-WHT

CI-SS-WHT

CIELO Shelf - Walnut, Large

CIELO Shelf - Walnut, Medium

CIELO Shelf - Walnut, Small

CIELO Shelf - White, Large


CIELO Shelf - White, Medium


CIELO Shelf - White, Small




- Matte finish  
Clean with a damp cloth  
Easily assembled with included manual


- CIELO Shelf Small

 Product weight 0,4 kg / 0.9 lbs  
MAX. load 10 kg / 22 lbs


 0,9 kg / 2 lbs  
40x15.5x8H cm / 15.7"x6.1"x3.1"H


- CIELO Shelf Medium

 Product weight 0,65 kg / 1.4 lbs  
MAX. load 10 kg / 22 lbs

 1,2 kg / 2.6 lbs  
59x15.5x8H cm / 23.3"x6.1"x3.1"H

- CIELO Shelf Large

 Product weight 0,86 kg / 1.9 lbs  
MAX. load 10 kg / 22 lbs

 1,4 kg / 3 lbs  
78x15.8x8H cm / 30.7"x6.1"x3.1"H

COLLECTION

# CIELO HOOK

Simple yet versatile, our Cielo hook is carefully crafted using natural sustainable Oak, Walnut, or Ash wood (depending on the color finish). Individually or as a set, the Cielo hook is the perfect solution for coats, hats, bags, scarves, and more, helping you save space and keep your home organized.

Its functional and elegant design makes it a unique piece that will add a minimalist touch to any wall in your home, with a design that is aligned with the rest of the collection and continues its unique organic leaf shape.

Sencillos pero versátil, nuestro gancho Cielo está hecho de madera natural sostenible de roble, nogal o fresno (según el color de acabado). Individualmente o como un set, el gancho Cielo es la solución perfecta para abrigos, sombreros, bolsos, bufandas, y más, ayudando a optimizar el espacio y a mantenerlo organizado.

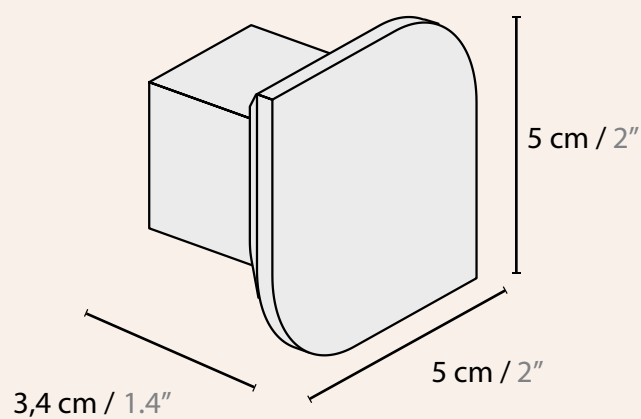
Su diseño funcional y elegante lo convierte en una pieza única que aportará un toque minimalista a cualquier pared de su casa, con un diseño que está alineado con el resto de la colección y continua su diseño orgánico único en forma de hoja.





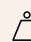



# CIELO HOOK



Matte finish  
Clean with a damp cloth  
Easily assembled with included manual



 Product weight 24 Kg / 0.85 oz  
MAX. load

 170g/6 oz  
9,2x9,2x5H / 3,7"x3,7"x2"H

CI-H-BLK	CIELO Hook- Black	CI-H-WLN	CIELO Hook- Walnut
2CI-H-BLK	CIELO Hook- Black set of 2	2CI-H-WLN	CIELO Hook- Walnut set of 2
3CI-H-BLK	CIELO Hook- Black set of 3	3CI-H-WLN	CIELO Hook- Walnut set of 3
CI-H-OAK	CIELO Hook- Oak	CI-H-WHT	CIELO Hook- White
2CI-H-OAK	CIELO Hook- Oak set of 2	2CI-H-WHT	CIELO Hook- White set of 2
3CI-H-OAK	CIELO Hook- Oak set of 3	3CI-H-WHT	CIELO Hook- White set of 3



COLLECTION

# CIELO CABINET

Our Cielo Cabinet is a versatile and unique piece of wall storage, initially designed as shoe rack but with the possibility of many other uses. Thanks to its functionality it can be placed in any room at any height, making it easy to storage everyday objects while keeping the space organized.

Its leaf shape and thin edges are designed to reduce visual weight, making it lighter and thinner yet elegant and harmonious like the rest of the collection. The Cielo cabinet counts with a shelf inside that helps even more with organization.

El armario de pared Cielo es una pieza versátil y única de almacenamiento, inicialmente diseñado como un zapatero pero con la posibilidad de darle muchos otros usos. Gracias a su funcionalidad, puede colocarse en cualquier habitación y a cualquier altura, haciendo el almacenamiento de objetos de uso diario fácil y organizado.

Su forma de hoja y sus finos bordes están diseñados para reducir el peso visual y hacerlo más liviano y delgado a la vez que elegante y armonioso, como el resto de las piezas de la colección. El armario de pared Cielo cuenta con una balda interior que ayuda aún más con la organización.



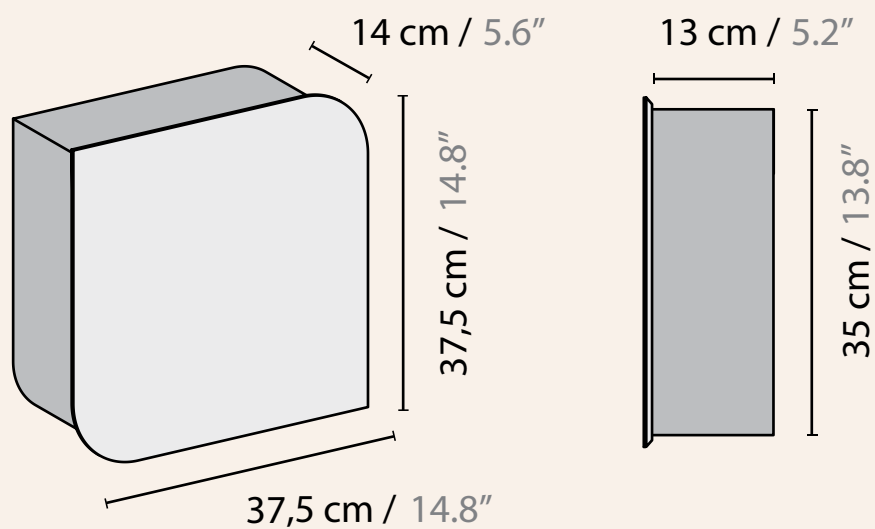










# CIELO CABINET



- |          |                              |
|----------|------------------------------|
| CI-C-BLK | CIELO Cabinet- Black         |
| CI-C-OB  | CIELO Cabinet- Oak,Black     |
| CI-C-OW  | CIELO Cabinet- Oak, White    |
| CI-C-WB  | CIELO Cabinet- Walnut, Black |
| CI-H-WHT | CIELO Cabinet- White         |



- Matte finish  
Clean with a damp cloth  
Easily assembled with included manual

-  Product weight 4,5 kg / 10 lbs  
MAX. load 30 kg / 66 lbs
-  5 kg / 11 lbs  
44x44x20H cm / 17.4"x17.4"x7.9"H

COLLECTION

# DUNA



# DUNA Shifting Stool



A stool, but much more than just a seat. Inspired by organic lines and rubbed textures and with the possibility of being used as anything you like, including a storage space, DUNA is a statement piece that completes a room with a memorable look. The flexibility with its design, that perfectly connects, gives the prospect of coupling two stools in the center and creating a side or center table.

The Duna shifting stool is available in five different finishes and it's a must have in any place of your house.

Un taburete, pero mucho más que un asiento. Inspirado en líneas orgánicas y texturas rugosas, con la posibilidad de ser utilizado como lo que quieras, incluyendo un espacio de almacenamiento, DUNA es una pieza clave que completa una habitación con un look memorable. La flexibilidad de su diseño, que conecta a la perfección, da la posibilidad de acoplar dos taburetes en el centro creando así una mesa auxiliar o central.

El taburete cambiador duna está disponible en cinco acabados diferentes y es imprescindible en cualquier lugar de su casa.



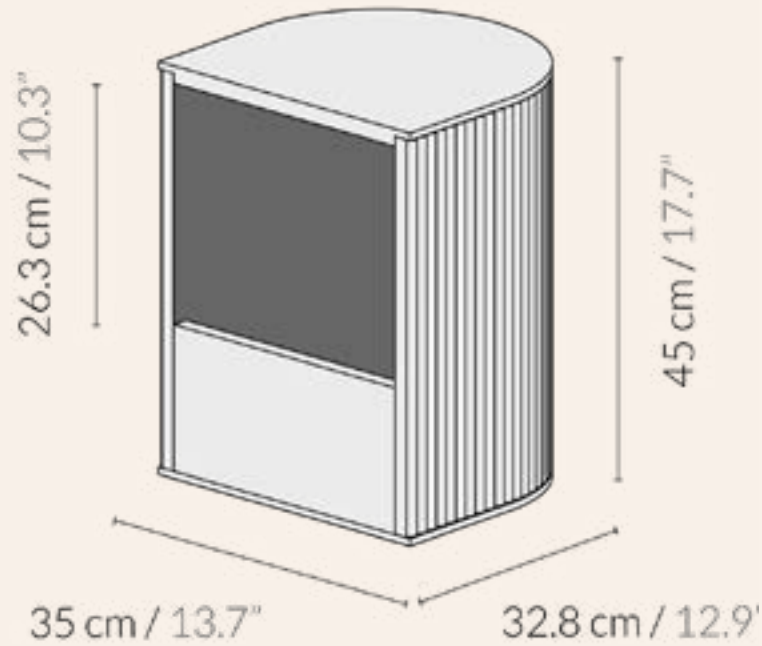








# DUNA Shifting Stool



- DU-M-OAK Natural Oak Wood
- DU-M-DW Natural Dark Oak Wood
- DU-M-BLK Natural Black Lacquered Oak Wood
- DU-M-WHT Natural White Lacquered Oak Wood
- DU-M-DR Natural Deep Red Lacquered Oak Wood



Matte finish

Clean with a damp cloth

Easily assembled with included manual

Delivered in a flat package



8 Kg / 18 lbs



91x49x8H cm / 35.8"x19.3"x3.1"H  
8,5 kg / 19 lbs

COLLECTION

# KA LAMP



COLLECTION

# KA LAMP S



Ka S is a table lamp which radiates ambient light. It distinguishes itself by its simple and elegant lines, and enhances the curve in its beech wood base, which is ideal to leave small objects in. From its base, a leaning pole arises, incorporating a natural leather detail. The metal lampshade filters the light through a natural cotton diffuser. Available in black and white finish.

Ka S es una lámpara de mesa, que emite luz ambiental. Se caracteriza por sus líneas sencillas y elegantes y destaca la concavidad de su base de madera de haya, ideal para depositar pequeños objetos. De la base nace un mástil inclinado que incorpora un detalle de piel natural. La tulipa de metal tamiza la luz mediante un difusor natural de algodón. Disponible en acabado blanco y negro.

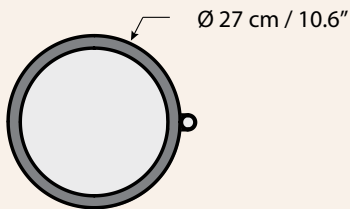
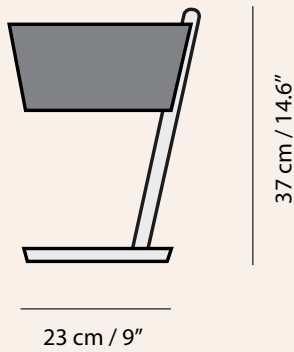






TECHNICAL SPECIFICATIONS

# KA LAMP S



- KA-S-W White Ka Lamp
- KA-S-B Black Ka Lamp



- Solid beech wood and natural leather
- Lacquered metal lampshade
- 100% cotton diffuser
- 2m cloth covered wire
- Included Energy saving bulb
- Handswitch
- Matte finish
- Clean with damp cloth
- Easily assembled
- Delivered in a flat package




Max. 1x15w. E-14. 230V. 50Hz



Max. 1x15w. E-12. 120V. 60Hz



 1 Kg / 2.2 lbs

 1.6 Kg / 3.5 lbs

910 x 28 x 5H cm / 35.8" x 11" x 2"H

COLLECTION

# KA LAMP M

Ka M is a standard lamp, which radiates direct light. Its simple and elegant lines are drawn from a stylish structure of beech wood slats, a tripod shape and joined together by a leather thread. At the top of the pole is a small metal lampshade which radiates a light that is ideal for reading.

Ka M is available in two versions:

Essential and Functional.

Essential has a minimal character and Functional has a more practical and unique character, as it includes a natural leather tray and a splash of colour in its legs. Both variations are available in black and white finish.

Ka M es una lámpara de pie, que emite luz directa. Sus líneas sencillas y elegantes dibujan una estilizada estructura de listones de madera de haya, con forma de trípode y unidos mediante cordón de cuero. En la parte superior destaca una pequeña tulipa de metal que penetra en el mástil y emite una luz ideal para la lectura.

Ka M cuenta con dos versiones:

Essential y Functional.

Essential tiene un carácter minimal y Functional un carácter más práctico y singular, ya que incluye una bandeja de piel natural y un toque de color en sus patas. Disponible en acabado blanco y negro para ambas versiones.





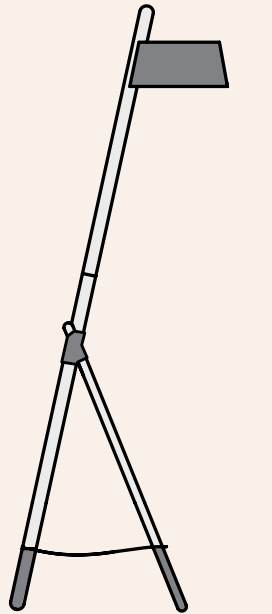






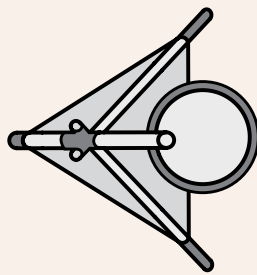
TECHNICAL SPECIFICATIONS

# KA LAMP M



150 cm / 59"

45 cm / 17.7"



60 cm / 23.6"

- KA-M-EW Medium White Ka Lamp
- KA-M-FW Medium White Ka Lamp with tray
- KA-M-EB Medium Black Ka Lamp
- KA-M-FB Medium Black Ka Lamp with tray



Solid beech wood and natural leather  
Lacquered metal lampshade  
2,5m cloth covered wire  
Included Energy saving bulb  
Handswitch  
Matte finish  
Clean with damp cloth  
Easily assembled  
Delivered in a flat package





Max. 1x15w. E-14. 230V. 50Hz



Max. 1x15w. E-12. 120V. 60Hz



 1.8 Kg / 4 lbs

 2.5 Kg / 5.5 lbs

910 x 28 x 5H cm / 35.8" x 11" x 2"H

COLLECTION

# KA LAMP XL

Ka XL is a standard lamp, which radiates ambient light. Its simple and elegant lines are drawn from a stylish structure of beech wood slats, a tripod shape and joined together by a leather thread. At the top of the pole is a large metal lampshade which filters the light through a natural cotton diffuser.

Ka XL is available in two versions:

Essential y Functional.

Essential has a minimal character and Functional has a more practical and unique character, as it includes a natural leather tray and a splash of colour in its legs. Both variations are available in black and white finish.

Ka XL es una lámpara de pie, que emite luz ambiental. Sus líneas sencillas y elegantes dibujan una estilizada estructura de listones de madera de haya, con forma de trípode y unidos mediante cordón de cuero. En la parte superior destaca una gran tulipa de metal que penetra en el mástil y tamiza la luz mediante un difusor natural de algodón.

Ka XL cuenta con dos versiones:

Essential y Functional.

Essential tiene un carácter minimal y Functional un carácter más práctico y singular, ya que incluye una bandeja de piel natural y un toque de color en sus patas. Disponible en acabado blanco y negro para ambas versiones.







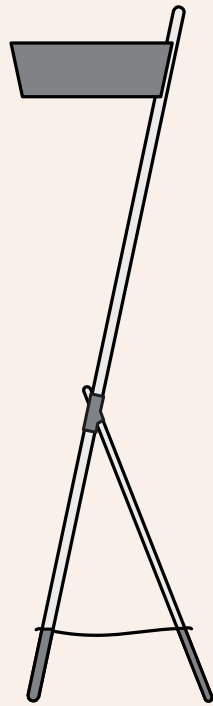






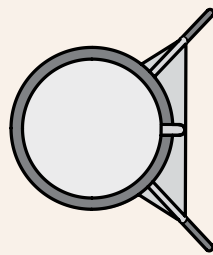
TECHNICAL SPECIFICATIONS

# KA LAMP XL



195 cm / 77"

50 cm / 19.7"



65 cm / 25.6"

- KA-XL-EW Extra Large White Ka Lamp
- KA-XL-FW Extra Large White Ka Lamp with tray
- KA-XL-EB Extra Large Black Ka Lamp
- KA-XL-FB Extra Large Black Ka Lamp with tray



- Solid beech wood and natural leather
- Lacquered metal lampshade
- 100% cotton diffuser
- 3,5m cloth covered wire
- Included Energy saving bulb
- Footswitch
- Matte finish
- Clean with damp cloth
- Easily assembled
- Delivered in a flat package




Max.1x15w. E-14. 230V. 50Hz



Max.1x15w. E-12. 120V. 60Hz



 2.8 Kg / 6.2 lbs

 4 Kg / 8.9 lbs  
137 x 39 x 5H cm / 54" x 15.5" x 2"H

COLLECTION

# LUA



COLLECTION

# LUA

## Ethereal Lighting



The perfect way to create the room ambiance you have been dreaming of. With delicate shapes, LUA is designed to reflect light softly in a way that complements your room and makes your space instantly cozy.

LUA's ethereal look brings a new unique perspective to room lighting. Deeply inspired by the need to create a cozy ambiance in the busiest rooms of a home, like the living room, in a combination of shapes and pieces that complete the space and invite you in.

In their unique design, LUA's lighting pieces are composed of three panels carefully positioned to portray the light organically, forming a kind of halo that, hand in hand with its light intensity, creates the perfect atmosphere.

La forma perfecta de crear el ambiente que siempre ha soñado. Con formas delicadas, LUA está diseñada para reflejar la luz suavemente de forma que complemente su habitación y haga de su espacio acogedor al instante.

El aspecto etéreo de LUA aporta una nueva perspectiva única a la iluminación del espacio. Profundamente inspirada en la necesidad de crear un ambiente acogedor en las estancias más concurridas de un hogar como el salón, en una combinación de formas y piezas que completan el espacio y te invitan a entrar a él.

En su diseño único, las piezas de LUA se componen de tres paneles cuidadosamente colocados para retratar la luz de forma orgánica, formando una especie de halo que, de la mano de su intensidad lumínica, crea la atmósfera perfecta.



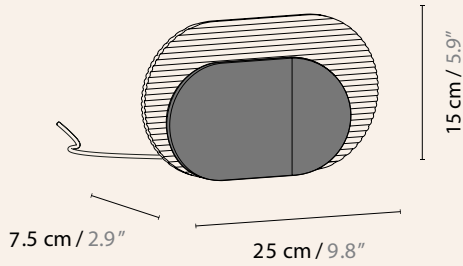


# LUA

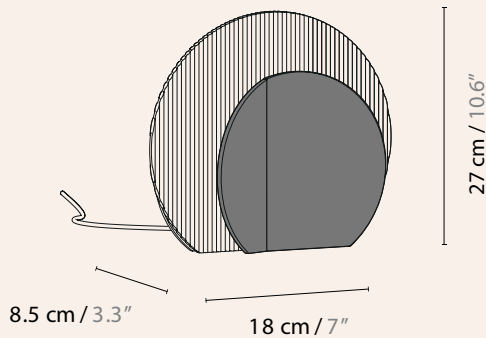
## Table Lamp



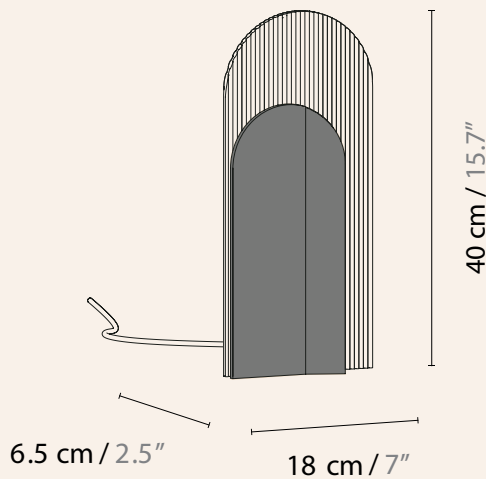
S



M





L



LU-S- / LU-M- / LU-L-

- OAK Middle panel oak lateral panels oak
- BLK Middle panel black lateral panels black
- WHT Middle panel white lateral panels white
- OB Middle panel oak lateral panels black
- OW Middle panel oak lateral panels white
- BO Middle panel black lateral panels oak
- WO Middle panel white lateral panels oak

-  LU-S 1 Kg / 2.2 lbs
- LU-M 1.4 Kg / 3 lbs
- LU-L 1.6 Kg / 3.5 lbs

-  LU-S 1.5 Kg / 3.3 lbs  
39 x 26 x 9.8H cm / 15.3" x 10.2" x 3.8"H
- LU-M 1.9 Kg / 4 lbs  
38 x 33 x 11.8H cm / 14.9" x 13" x 4.6"H
- LU-L 2.1 Kg / 4.6 lbs  
49 x 25 x 9.8H cm / 19.3" x 9.8" x 3.8"H

- 
- Matte finish
- Clean with a damp cloth
- Delivered in a flat package

- 
- LED LIGHTING
- Dimmable light
- LED COB DC24V 384LED/m (warm light 3.000K)
- Hand switch to turn on/off and control intensity
- Plug: Type C (Euro-plug), for some countries you will need an adapter which is not included



TECHNICAL SPECIFICATIONS

# LUA

## Ceiling Lamp



Matte finish  
Clean with a damp cloth  
Delivered in a flat package



LED LIGHTING  
- LED COB DC24V 384LED/m (warm light 3.000K)  
- Traditional ceiling electrical installation



LUC-S 1 Kg / 2.2 lbs  
LUC-M 1.4 Kg / 3 lbs  
LUC-L 1.6 Kg / 3.5 lbs

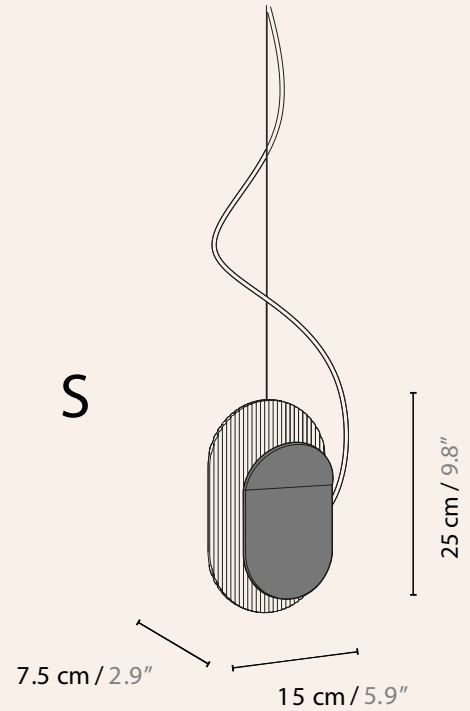


LUC-S 1.5 Kg / 3.3 lbs  
39 x 26 x 9.8H cm / 15.3" x 10.2" x 3.8"H  
LUC-M 1.9 Kg / 4 lbs  
38 x 33 x 11.8H cm / 14.9" x 13" x 4.6"H  
LUC-L 2.1 Kg / 4.6 lbs  
49 x 25 x 9.8H cm / 19.3" x 9.8" x 3.8"H

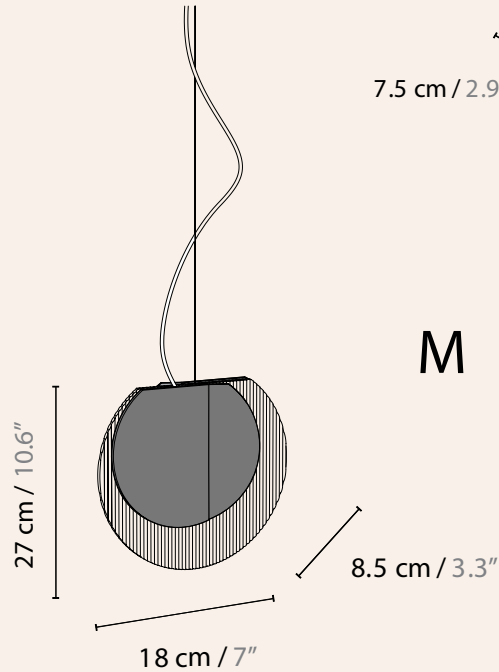
LUC-S- / LUC-M- / LUC-L-

OAK Middle panel oak lateral panels oak  
BLK Middle panel black lateral panels black  
WHT Middle panel white lateral panels white  
OB Middle panel oak lateral panels black  
OW Middle panel oak lateral panels white  
BO Middle panel black lateral panels oak  
WO Middle panel white lateral panels oak

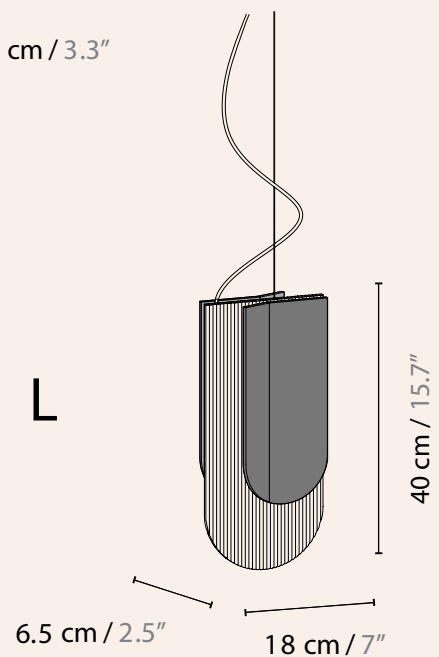
S



M



L





COLLECTION

# SAVIA



COLLECTION

# SAVIA Table



The Savia table offers the perfect combination of design and functionality. This unique piece of furniture, with its minimalist design, is divided by six different ash wood pieces, that merge through four lacquered wood nerves. The result is a piece that resembles the nerves on a leaf. Its legs play a key role in the uniqueness of this design. They are built using solid wood, and lacquered wood transversal pieces, all hexagonally shaped.

The Savia table is available in three different finishes and can be matched with two different colored details, black and gold.

La mesa Savia ofrece la combinación perfecta de diseño y funcionalidad. Esta pieza única, con su diseño minimalista, está dividida en seis piezas diferentes de madera de fresno, que se fusionan a través de cuatro nervios de madera lacada. El resultado es una pieza que recrea los nervios de una hoja. Sus patas juegan un papel clave en el diseño; construidas usando madera maciza y travesaños de madera lacada de forma hexagonal.

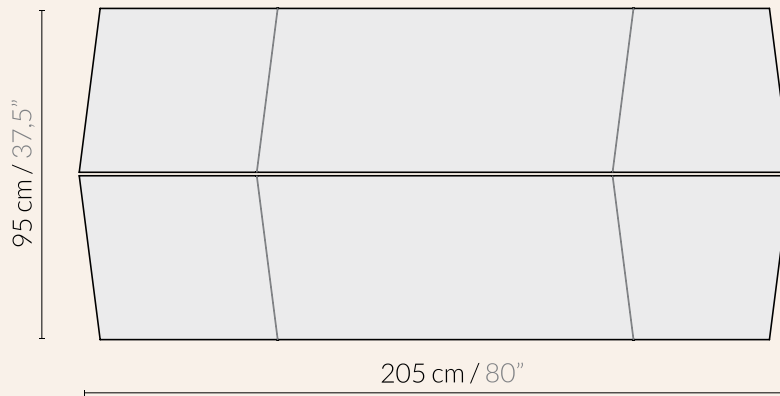
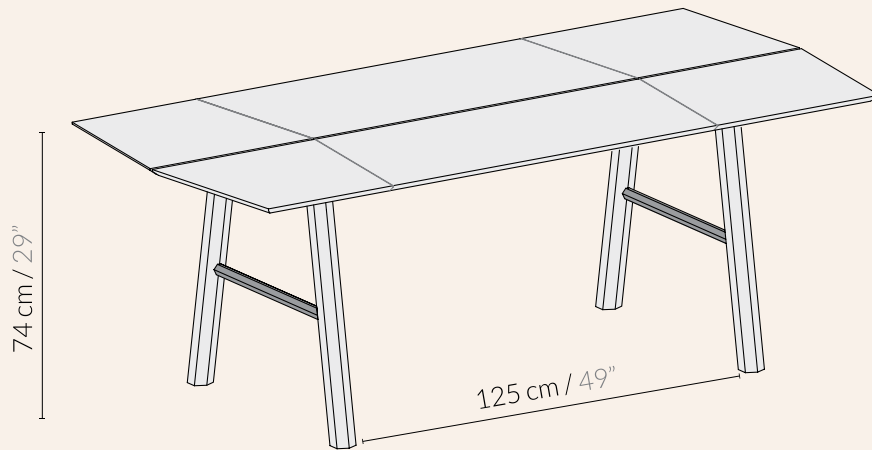
La mesa Savia está disponible en tres acabados diferentes y es combinable con detalles en dos colores, negro y dorado.







# SAVIA Table



- SA-T-OB Clear Stained Wood-Black Savia Table
- SA-T-OG Clear Stained Wood-Gold Savia Table
- SA-T-WB Dark Stained Wood-Black Savia Table
- SA-T-WG Dark Stained Wood-Gold Savia Table
- SA-T-BB Black-Black Savia Table
- SA-T-BG Black-Gold Savia Table



DETAILS:




Matte finish

Clean with a damp cloth

Easily assembled with included manual

Delivered in 3 flat packages



 44 Kg / 97 lbs

 x3

100x40x31H cm / 40"x16"x12"H  
14 kg / 31 lbs

72x82x17H cm / 28"x32"x7"H  
9,5 kg / 21 lbs

116x52x14H cm / 47"x21"x6"H  
26 kg / 57 lbs

COLLECTION

# SAVIA Bench



The Savia bench is an innovative seat that follows the Savia collection design, it is a hexagonal shaped wooden bench, with its top divided by two lacquered wood nerves, that look very similar to the lines on a leaf. The wooden bench legs, as well as the other piece in this collection, are shaped like hexagons, connected through lacquered wood crosspieces, providing it with stability and resistance.

The Savia bench is available in three different finishes and can be matched with details in two colors, black and gold.

El banco Savia es un innovador asiento que sigue el diseño de la colección Savia. Es un banco de madera hexagonal, su parte superior está dividida por dos nervios de madera lacada, muy similares a las líneas de una hoja. Las patas de madera, así como las otras piezas en la colección, son de forma hexagonal, conectadas a través de travesaños de madera lacada, dándole estabilidad y resistencia.

El banco Savia está disponible en tres acabados diferentes y es combinable con detalles en dos colores, negro y dorado.





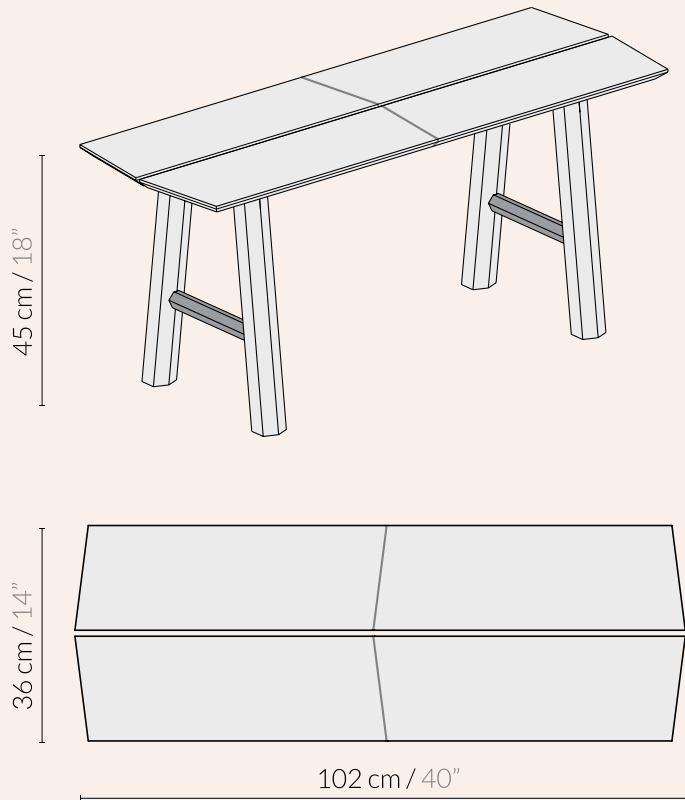






TECHNICAL SPECIFICATIONS

# SAVIA Bench



- SA-B-OB Clear Stained Wood-Black Savia Table
- SA-B-OG Clear Stained Wood-Gold Savia Table
- SA-B-WB Dark Stained Wood-Black Savia Table
- SA-B-WG Dark Stained Wood-Gold Savia Table
- SA-B-BB Black-Black Savia Table
- SA-B-BG Black-Gold Savia Table



DETAILS:



Matte finish

Clean with a damp cloth

Easily assembled with included manual

Delivered in a flat package



8 Kg / 18 lbs



106x42x15H cm / 42"x17"x6"H  
10 kg / 22 lbs

COLLECTION

# ACCESSORIES



COLLECTION

# PELICAN



Close your eyes and imagine a flock of pelicans in flight over the ocean, capable of fishing with their big bag who have on the bottom of its long beak. Inspired by this bird we present Pelican.

Pelican, handmade versatile wall organizer that adapts to every environment and allows us to store or hang our everyday objects.

Wood structure acts as a container and metal sheet acts as a wall hanger, with two/ three hidden hooks (depend on the size). Available in 3 sizes and 5 different finishes.

Cierra los ojos e imagina una bandada de pelicanos sobre volando el océano, capaces de pescar con su gran bolsa que tienen debajo de su largo pico. Inspirados en este ave presentamos Pelican.

Pelican, son unas estanterías de pared que nos ayudan a mantener organizado nuestros objetos cotidianos.

Están compuestas por un contenedor elaborado en madera de contrachapado y por una estructura de metal que actúa a su vez de perchero, con dos o tres (dependiendo del tamaño) ganchos ocultos. Disponible en 3 tamaños y 5 acabados diferentes.

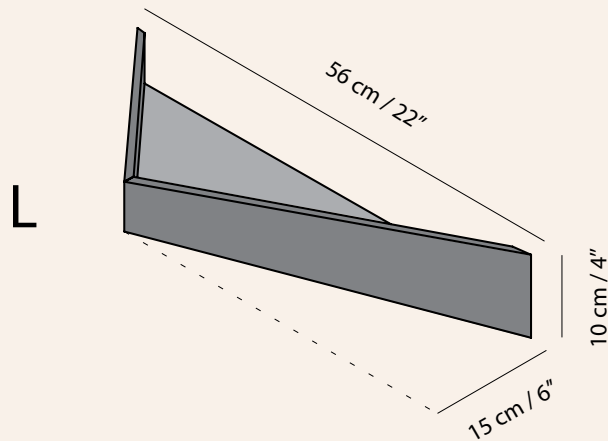
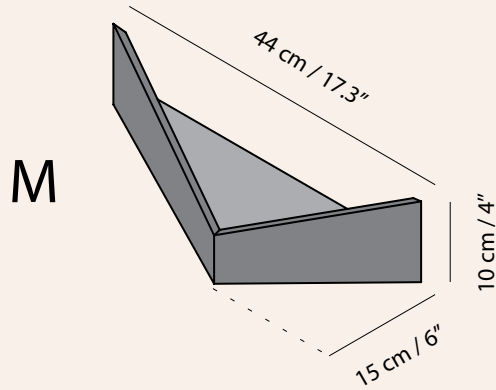
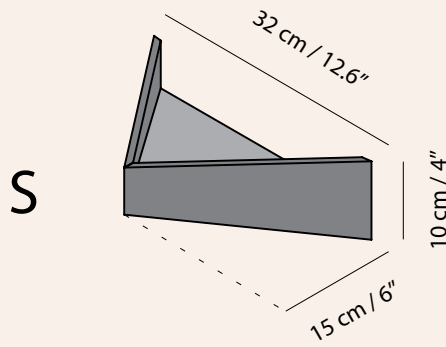








# PELICAN



PE-S / M / L -

- WLN Walnut Pelican shelf
- OAK Oak Pelican shelf
- WHT White Pelican shelf
- BLK Black Pelican shelf
- GRY Grey Pelican shelf - RAL 7040



- Plywood and lacquered steel
- Hidden hooks PE-S/M (x2)
- Hidden hooks PE-L (x3)
- Matte finish
- Clean with damp cloth
- Easily assembled
- Load capacity: 30kg pr. shelf

☞ PE-S/M (x2) - L (x3)

- ⚖ PE-S 0.70 Kg / 1.5 lbs
- PE-M 0.80 Kg / 1.9 lbs
- PE-L 1.1 Kg / 2.5 lbs

- 📦 PE-S 1.2 Kg / 2.7 lbs  
31 x 23 x 13H cm / 12.2" x 9" x 5"H
- PE-M 1.4 Kg / 3 lbs  
44 x 24 x 13H cm / 17.3" x 9.4" x 5"H
- PE-L 1.6 Kg / 3.5 lbs  
57 x 25 x 13H cm / 22.5" x 9.8" x 5"H

COLLECTION

# KESITO



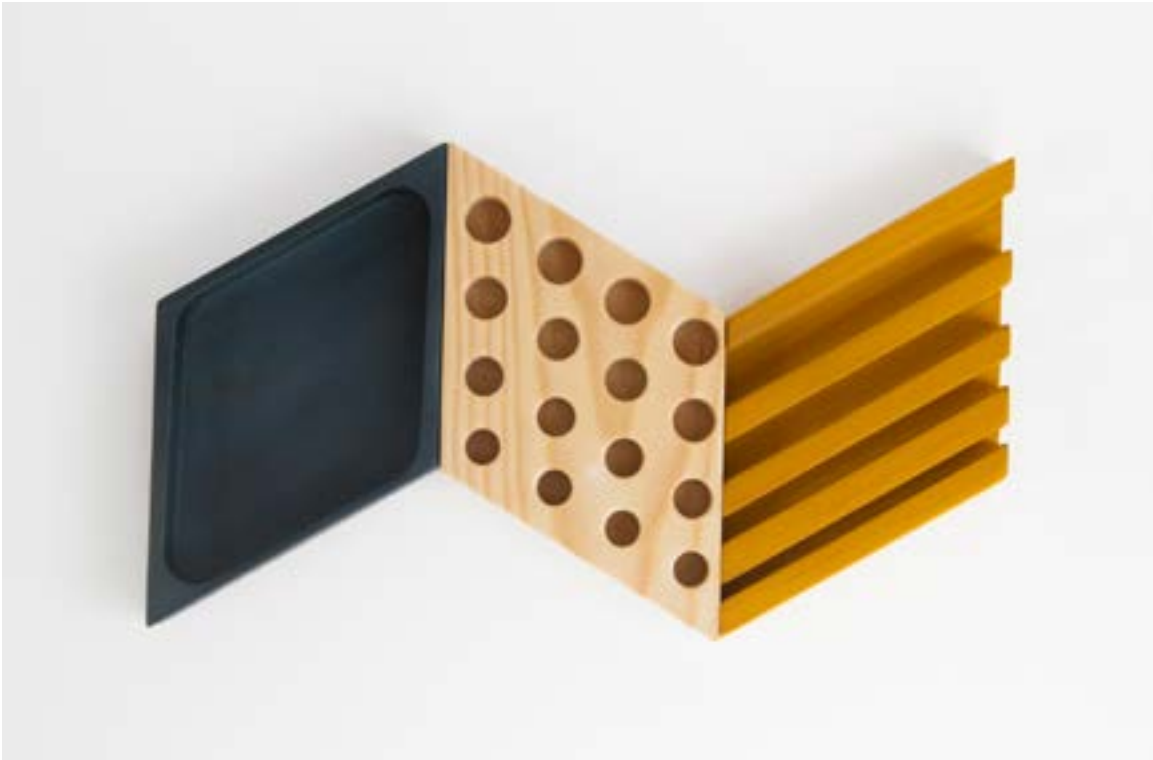
Kesito is a desk organizer that helps us to order those little objects that we always have on hand; pencils, paper clips, business cards and of course, we can use it as a vertical holder for our Smartphone. It is composed of three diamond-shaped pieces, with which we can play and form a hexagon.

It is made in solid pine, in one of the finishes two of the three pieces have a touch of color. There are two more available finishes: Matte Oak and Matte black.

Kesito es un organizador de escritorio que nos ayuda a mantener en orden todos esos pequeños objetos que siempre tenemos a mano; lapiceros, clips, tarjetas de visita y por su puerto, podemos usarlo como soporte vertical de nuestro Smartphone. Compuesto por tres rombos, podemos jugar a formar diferentes figuras.

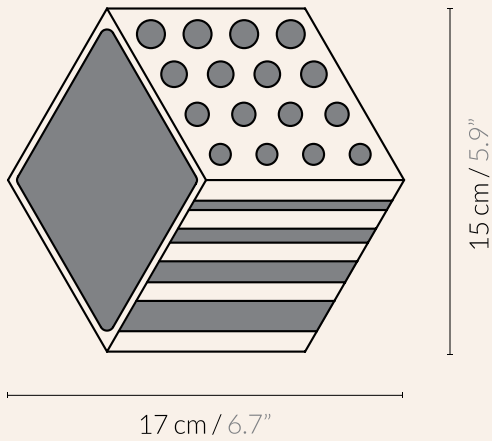
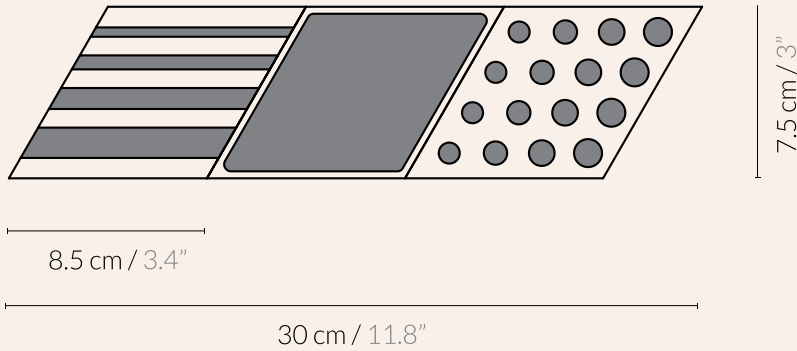
Elaborado en pino, en uno de sus acabados dos de sus tres piezas tienen un toque de color. También está disponible en otros dos acabados: Robe y negro ambos mate.








# KESITO




K-B Kesito desk organizer



- Three diamond-shaped pieces  
Made of solid pine with a touch of color  
Matte finish  
Clean with damp cloth

-  0.2 Kg / 0.45 lbs

-  0.3 Kg / 0.7 lbs  
23.5 x 19.5 x 2.8H cm / 9" x 7.6" x 1.1"H

COLLECTION

# VALLE



The Valle tray duo reminds us of the lines of mountain ranges. This set of trays, with a hexagonal outline, assimilated the Savia collection aesthetics. Their singular shape provides them with great functionality, varying from a distinctive table centerpiece to the most stylish accessory on your desk or dressing room. The smallest one in this collection does not come with a base, making possible to place it under its bigger counterpart.

The Valle trays are available in two different finishes, black and gold.

El dúo de bandejas Valle nos recuerdan a las líneas de una cordillera de montañas. Esta pareja de bandejas, con un acabado hexagonal, continúa la estética de la colección Savia. Su forma les dota de una gran funcionalidad, puede variar desde un elegante centro de mesa hasta el accesorio más distinguido en tu escritorio o tocador. La pequeña de la colección carece de base, pudiéndose colocar debajo de su compañera de mayor tamaño.

Las bandejas Valle están disponibles en dos acabados diferentes, negro y dorado.





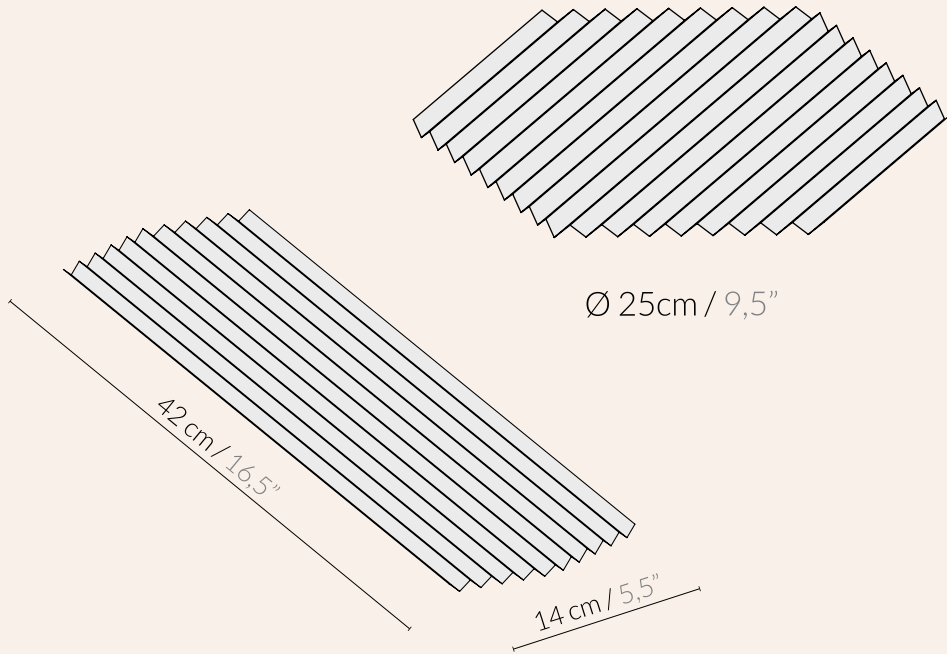






TECHNICAL SPECIFICATIONS

# VALLE





VA-BLK    Black trays Duo  
VA-GLD    Gold trays Duo



Matte finish  
Clean with a damp cloth  
Set of two trays



 2 Kg / 4.5 lbs

 45x27x6H cm / 18"x11"x2,5"H  
2,5 kg / 5.5 lbs

COLLECTION

# ETNA



Etna is a collection of large candle holders, ideal to give any environment a splash of light and colour. Its simple and clean lines come from a conical shape made of solid pine wood. At the top are curves which evoke lava flows gliding down the slope of a volcano. This colour highlights the natural shades in the wood thanks to its translucency.

This collection allows for the creation a great variety of arrangements, as it is available in three different sizes and in a six colour palette.

Etna es una colección de candelabros gigantes, ideales para dar un toque de luz y color a cualquier ambiente. Sus líneas sencillas y limpias crean una pieza tronco cónica elaborada de madera maciza de pino; en su parte superior se dibujan unas curvas que evocan lenguas de lava deslizándose por la ladera de un volcán, esta zona de color permite distinguir las betas de la madera gracias a su translucidez.

La colección ofrece la posibilidad de crear una gran variedad de composiciones, ya que dispone de tres tamaños diferentes y una paleta de seis colores.



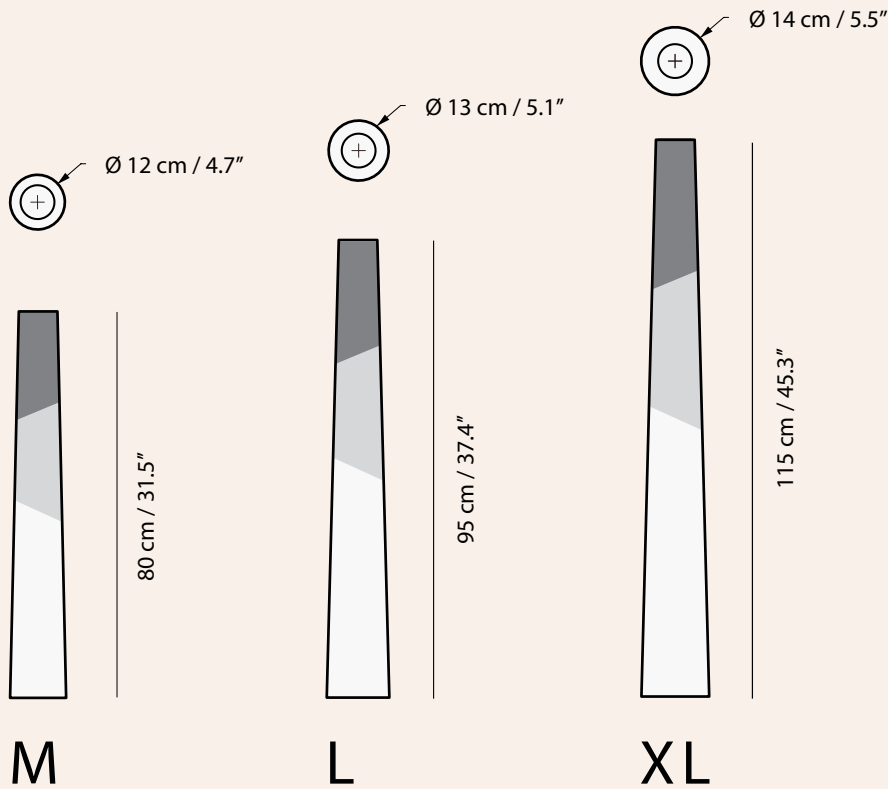
**Woodendot**

LIVE DESIGN





# ETNA



M

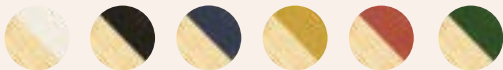
L


XL


- Made of solid pine with a touch of color
- Tealights or candles up to Ø 60mm / 2.3"
- Glass cup protector between candle and wood
- Matte finish
- Clean with damp cloth

ET- M / L / XL -

- WHT White Etna candle holder
- BLK Black Etna candle holder
- BLU Blue Etna candle holder
- YEL Yellow Etna candle holder
- RED Red Etna candle holder
- GRN Green Etna candle holder



-  ET-M 3.3 Kg / 7.3 lbs
- ET-L 4.2 Kg / 9.3 lbs
- ET-XL 5.7 Kg / 12.6 lbs

-  ET-M 3.5 Kg / 7.5 lbs  
Ø 12 x 82H cm / Ø 4.7" x 32"H
- ET-L 4.5 Kg / 10 lbs  
Ø 15 x 97H cm / Ø 6" x 38.2"H
- ET-XL 6 Kg / 13.3 lbs  
Ø 15 x 120H cm / Ø 6" x 47"H



COLLECTION

# ETNA MINI

Etna Mini is a collection of candle holders, ideal to give any environment a splash of light and colour. Its simple and clean lines come from a conical shape made of solid pine wood. At the top are curves which evoke lava flows gliding down the slope of a volcano. This colour highlights the natural shades in the wood thanks to its translucency.

This collection is available in three-piece packs and in a six colour palette.

Etna Mini es una colección de candelabros, ideal para dar un toque de luz y color a cualquier ambiente. Sus líneas sencillas y limpias crean una pieza tronco cónica elaborada de madera maciza de pino; en su parte superior se dibujan unas curvas que evocan lenguas de lava deslizándose por la ladera de un volcán, esta zona de color permite distinguir las betas de la madera gracias a su translucidez.

La colección esta disponible en packs de tres piezas y en una paleta de seis colores.

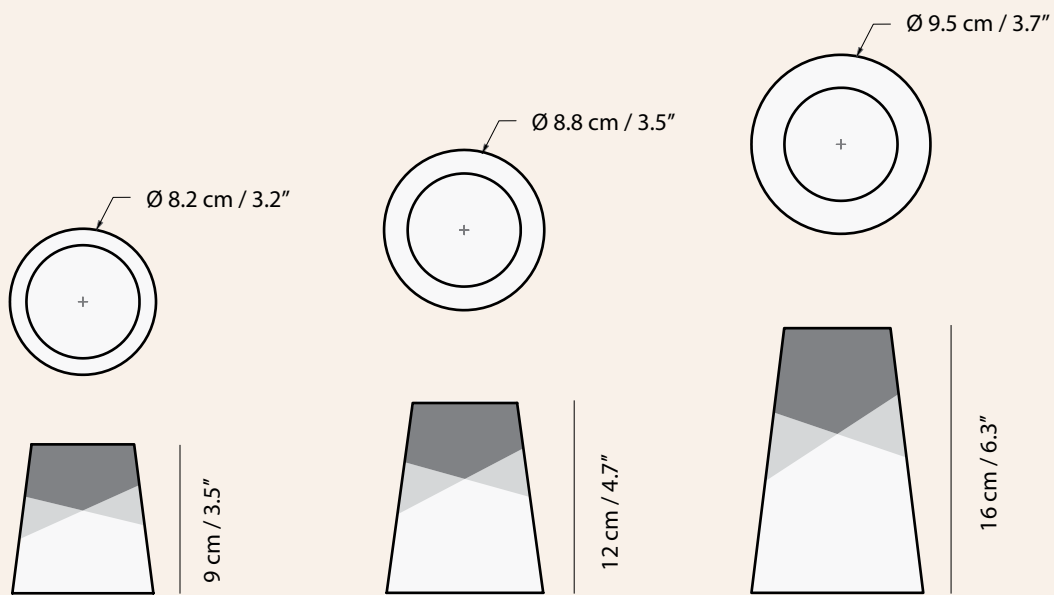




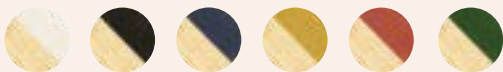




# ETNA MINI





- ETM-WHT White Etna Mini
- ETM-BLK Black Etna Mini
- ETM-BLU Blue Etna Mini
- ETM-YEL Yellow Etna Mini
- ETM-RED Red Etna Mini
- ETM-GRN Green Etna Mini



Set of three  
Made of solid pine with a touch of color  
Tealights or candles up to Ø 40mm / 2,3"  
Glass cup protector between candle and wood  
Matte finish  
Clean with damp cloth



 1 Kg / 2.2 lbs

 1.2 Kg / 2.6 lbs  
ø10 x 42H cm / ø4" x 16.5"H

COLLECTION

# GEO



COLLECTION

# GEO Risco



Risco is a one of a kind smartphone stand. Its singular shape and removable adhesive surface allows any smartphone to be stably placed on it, without or with any type of protective case. The adhesive surface can be removed and washed as many times as needed to fully restore its strength.

Risco is available in two different finishes.

Risco es un soporte para teléfonos único. Su forma singular y su superficie adhesiva removible permite colocar cualquier teléfono de manera estable, con o sin funda protectora. La superficie adhesiva se puede lavar tantas veces como sea necesario para restaurar completamente su resistencia.

Risco está disponible en dos acabados diferentes.

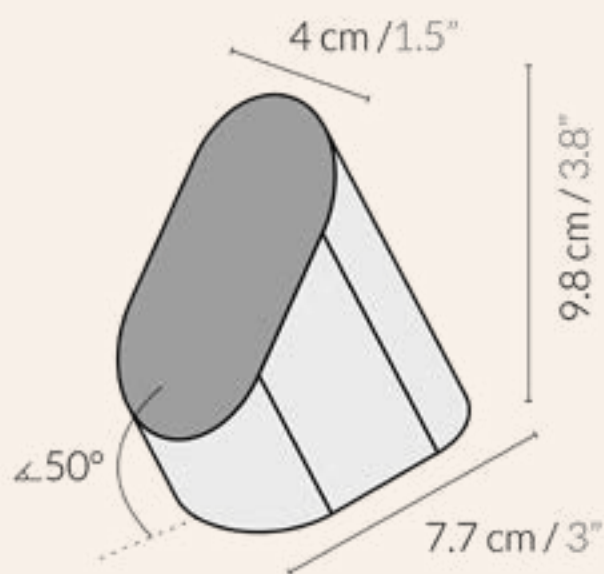









# RISCO



- Perfect viewing angle
- Removable and lavable adhesive surface
- Zero remains in your device
- Free space for the charger
- Anti slip base
- Matte finish



 PE-S 300 g / 0.6 lbs

- OAK Oak Risco smartphone stand
- BLK Black Risco smartphone stand



COLLECTION

# GUÆA Mallo

## Ethereal Lighting



Unique in its shape, Mallo deceives the viewer into thinking it will tip over with the slightest touch. That couldn't be further from the truth, a removable and lavable adhesive at its base makes it the most stable headphones stand in the market.

Mallo is available in two different finishes.

Único en su forma, Mallo engaña al espectador haciéndole creer que se volcará con el más mínimo toque, pero nada más lejos de la realidad. Su base adhesiva y lavable lo convierte en el soporte para auriculares más estable del mercado.

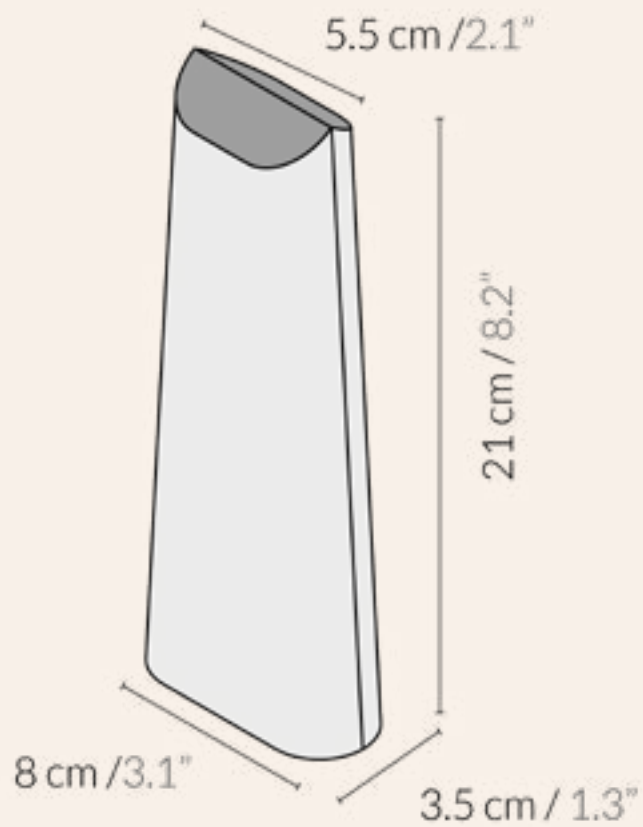
Mallo está disponible en dos acabados diferentes.








# MALLO



- Removable and lavable adhesive base  
Zero remains in your desk  
Ideal height for any headphones  
Matte finish

-  PE-S 600 g / 1.3 lbs

- OAK Oak Mallo headphones stand
- BLK Black Mallo headphones stand





COLLECTION

# GEO Loma



Standing out for the characteristic gap in its middle, Loma is an adjustable laptop stand. Just add the supplements that come included, and adjust its width to fit most laptop models. The gap in the middle where the laptop is placed, is covered by vegan leather strips that will protect it from scratches and knocks. Additionally, its anti-slip base makes it stable and secure.

Loma is available in two different finishes.

Destacado por el característico hueco en su centro, Loma es un soporte ajustable para portátil. Simplemente añade el suplemento que vienen incluido y ajuste su ancho para adaptarse a la mayoría de los modelos de portátiles. La ranura está recubierta de tiras de piel vegana que lo protegerán de arañazos y golpes. Además, su base antideslizante lo hace estable y seguro.

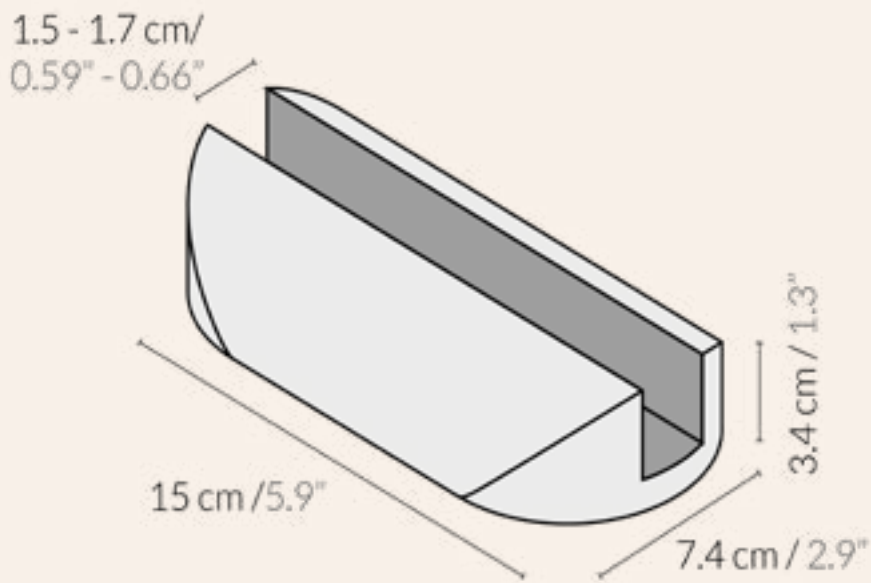
Loma está disponible en dos acabados diferentes.








# LOMA



- Adjustable gap
- Vegan leather
- Vertically stable
- Anti slip base
- Matte finish



 PE-S 400 g / 0.8 lbs

- OAK Oak Loma vertical laptop stand
- BLK Black Loma vertical laptop stand



COLLECTION

# GEO Sima



Carefully crafted from a single piece of solid Oak wood, Sima is compact and stable. Holding your Apple Pencil in a vertical position, its hole is designed for your pencil to slide perfectly in place.

When it comes to using your Apple Pencil, we know you will need to move it around without worrying about damaging your desk. Thinking of this, we added an anti-slip base, so that it would be stable and stay in one place.

Sima is available in two different finishes.

Cuidadosamente elaborado con una sola pieza de madera maciza de roble, Sima es compacto y estable. Sosteniendo tu Apple Pencil en posición vertical, su orificio está diseñado para que su lápiz se deslice perfectamente en su lugar.

Cuando se trata de usar tu Apple Pencil, sabemos que necesitará moverlo sin preocuparse por dañar su escritorio. Pensando en esto, agregamos una base antideslizante, para que sea estable y se quede en un solo lugar.

Sima está disponible en dos acabados diferentes.

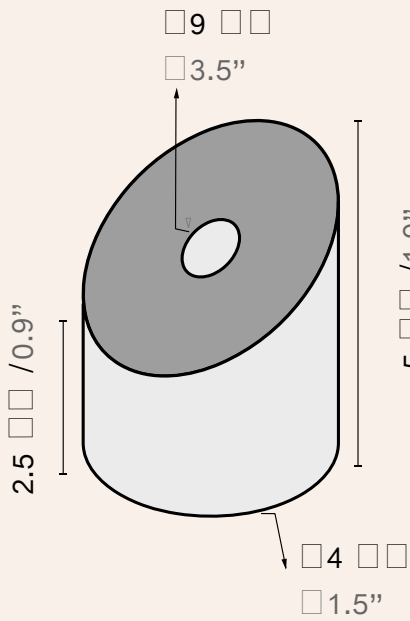








# SIMA



- Perfect fit for Apple pencil
- Vertical position
- Anti slip base
- Matte finish

- 
- PE-S 200 g / 0.4 lbs

- OAK Oak Sima vertical laptop stand
- BLK Black Sima vertical laptop stand



# w•collabs



An amazing space where we work with different brands and designers to create unique accessories that share our values of sustainability, local production, and durability.

Woodendot Collaborations is born from our desire to always learn, explore and discover new ways to bring ideas to life.

With our values close to our hearts, we started the search for unique local brands that would be aligned with what we care about.

Combining the unique ideas, materials and products of brands and designers with our studio to create special edition accessories that add to your space.

Un espacio donde colaboramos con diferentes marcas y diseñadores para crear accesorios únicos que comparten nuestros valores de sostenibilidad, producción local y durabilidad.

Woodendot Collaborations nace de nuestro deseo de siempre aprender, explorar y descubrir nuevas formas de dar vida a las ideas.

Con nuestros valores cerca de nuestros corazones, comenzamos la búsqueda de marcas locales únicas que estarían alineados con lo que nos importa.

Combinando ideas únicas, materiales y productos de marcas y diseñadores con nuestro estudio para crear accesorios de edición especial que se suman a su espacio.

COLLECTION

# SEDONA

MENDELEK · STUDIO

Woodendot



With a unique and sustainable design, our vases co-created with Mendelek are the perfect combination of beauty, functionality and sustainability.

Crafted with eco-friendly plant-based plastic and 30% wood fibers from sustainable forests. Its antelope canyon-inspired shape adds a stylish, slender, and elegant touch to your home.

This collection of 3D printed vases bring a unique approach to your home decor, by including organic shapes with sustainable materials and a beautiful design.

Con un diseño único y sostenible, nuestros jarrones co-creados con Mendelek son la combinación perfecta de belleza, funcionalidad y sostenibilidad.

Fabricados con plástico ecológico de origen vegetal y un 30% de fibras de madera procedentes de bosques sostenibles. Su forma inspirada en el cañón del antílope añade un toque de estilo, esbeltez y elegancia a su hogar.

Esta colección de jarrones impresos en 3D aporta un enfoque único a la decoración de su hogar, al incluir formas orgánicas con materiales sostenibles y un hermoso diseño.









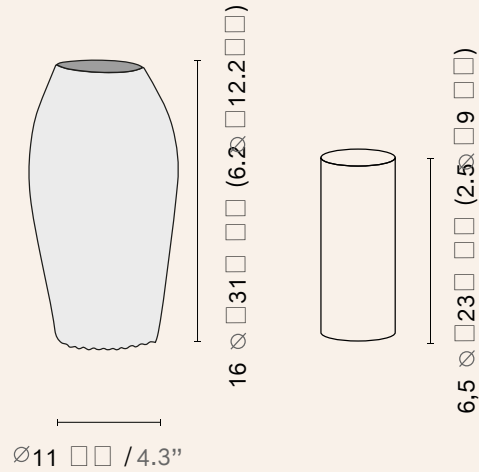
# SEDONA

## Woodendot


### Sedona M


  
Product weight  
308 g /  
(10.8 lb)

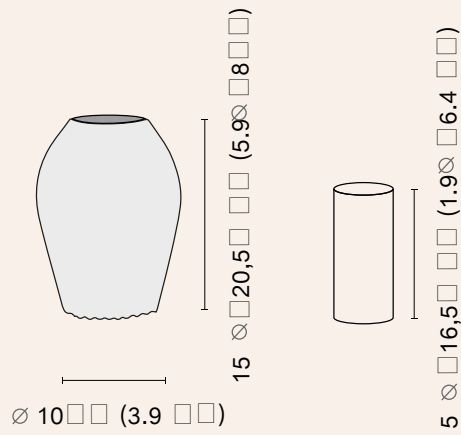
  
508 g /  
(17.9 lb)



### Sedona S

  
Product weight  
212 g /  
(7.4 lb)

  
412 g /  
(14,5 lb)



#### Materials

3D printed using vegan plastics with a high percentage of wood particles.

#### Care

Not recommended for exterior use. Materials are waterproof, but it is not recommended to pour water inside the vase without using the glass cup included.



COLLECTION

# FOREST'S BREEZE



Our unique Woodendot scent comes to life in collaboration with Eleven People. Combining our love for nature, design, minimalism, coziness and freshness all in one scent with tones of rose, apple, oak moss, sandalwood, and cedar.

Made with 100% soy wax, our Forest's Breeze candle and wax bar are the perfect addition to create a one-of-a-kind ambiance for your space.

Our unique Woodendot scent comes to life in collaboration with Eleven People. Combining our love for nature, design, minimalism, coziness and freshness all in one scent with tones of rose, apple, oak moss, sandalwood, and cedar.

Made with 100% soy wax, our Forest's Breeze candle and wax bar are the perfect addition to create a one-of-a-kind ambiance for your space.











# FOREST'S BREEZE



## Forest's breeze Candle


  
Product weight  
180 □□  
(40 □□□□□□ □□ □□□□□□)

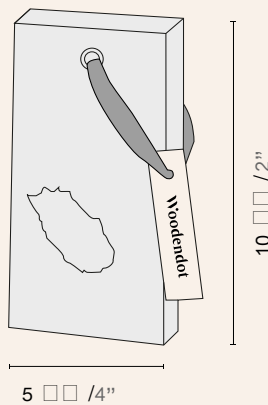
  
9 □ 7,1 □ 7,5 □□ /  
(3.5 □ 2.7 □ 3 □□)



## Forest's breeze Solid air freshener

  
Product weight  
0.05 □□ / 0,11 □□□

  
15,2 □ 6,4 □ 5,5 □□ /  
(6 □ 2.5 □ 2.2 □□)



### Materials:

- 100% soy wax.
- Organic cotton wick and amber glass jar for the candle.
- Free of preservatives or petroleum derivatives.
- Cruelty free and 100% vegan.



### Scent:

rose, oak moss, apple, sandalwood, and cedar.

Made with phthalate-free botanical oils.  
Hand poured in Asturias, Spain.

COLLECTION

# TERRA

# minipicnic

Woodendot



With a unique and sustainable design, our vases co-created with Mendelek are the perfect combination of beauty, functionality and sustainability.

Crafted with eco-friendly plant-based plastic and 30% wood fibers from sustainable forests. Its antelope canyon-inspired shape adds a stylish, slender, and elegant touch to your home.

This collection of 3D printed vases bring a unique approach to your home decor, by including organic shapes with sustainable materials and a beautiful design.

Con un diseño único y sostenible, nuestros jarrones co-creados con Mendelek son la combinación perfecta de belleza, funcionalidad y sostenibilidad.

Fabricados con plástico ecológico de origen vegetal y un 30% de fibras de madera procedentes de bosques sostenibles. Su forma inspirada en el cañón del antílope añade un toque de estilo, esbeltez y elegancia a su hogar.

Esta colección de jarrones impresos en 3D aporta un enfoque único a la decoración de su hogar, al incluir formas orgánicas con materiales sostenibles y un hermoso diseño.







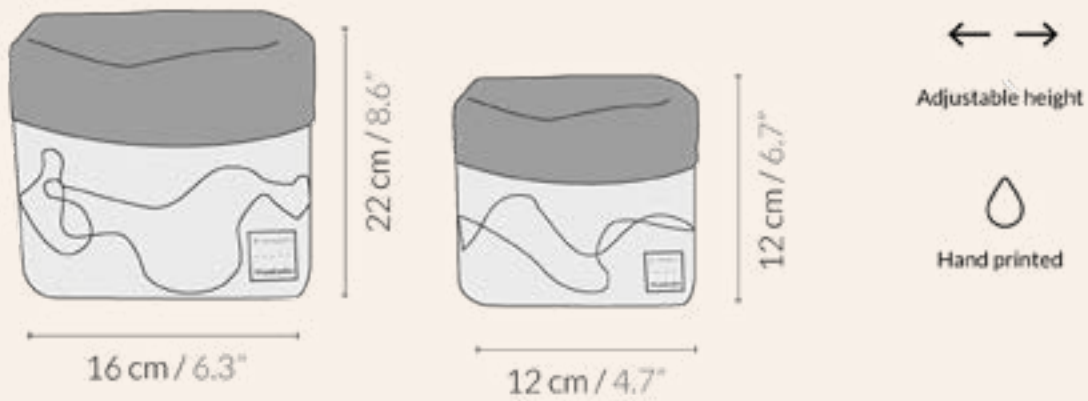




# TERRA

‡ minipicnic

Woodendot



**Wash & Use**  
Hand wash with cold water.  
For stains on the corch side, use a damp cloth.  
Not recommended for exterior use since the sun can discolor the fabric.



**Recommendations & Notes**  
If you want to place a plant pot inside, we recommend using a bottom plate to prevent the fabric to be in direct contact with water.

Pattern may vary slightly since this is a hand painted product.

COLLECTION

# TAIT

de.L-E-N-Z-O

Woodendot



With a unique and sustainable design, our vases co-created with Mendelek are the perfect combination of beauty, functionality and sustainability.

Crafted with eco-friendly plant-based plastic and 30% wood fibers from sustainable forests. Its antelope canyon-inspired shape adds a stylish, slender, and elegant touch to your home.

This collection of 3D printed vases bring a unique approach to your home decor, by including organic shapes with sustainable materials and a beautiful design.

Con un diseño único y sostenible, nuestros jarrones co-creados con Mendelek son la combinación perfecta de belleza, funcionalidad y sostenibilidad.

Fabricados con plástico ecológico de origen vegetal y un 30% de fibras de madera procedentes de bosques sostenibles. Su forma inspirada en el cañón del antílope añade un toque de estilo, esbeltez y elegancia a su hogar.

Esta colección de jarrones impresos en 3D aporta un enfoque único a la decoración de su hogar, al incluir formas orgánicas con materiales sostenibles y un hermoso diseño.

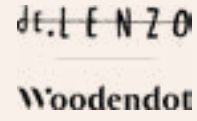








# TAIT



### Pillowcase



#### 140cm | 55in Bed (Double)

Duvet cover:  
225x220cm (88.5 x 86.6 in)

Pillowcases:  
45x70cm (17.7 x 27.55 in)

Fitted sheet:  
140x200x30cm (55.11 x 78.7 x 11.8 in)

#### 180cm | 71in Bed

Duvet cover:  
260x240cm (102.3 x 94.4 in)

Pillowcases:  
45x90cm (17.7 x 35.4 in)

Fitted sheet:  
180x200x32cm (70.8 x 78.7 x 12.6 in)

### Fitted sheet



#### 150cm | 59in Bed (Queen)

Duvet cover:  
240x220cm (94.4 x 86.6 in)

Pillowcases:  
45x75cm (17.7 x 29.5 in)

Fitted sheet:  
150x200x32cm (59 x 78.7 x 12.6 in)

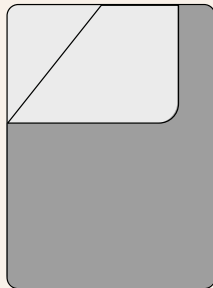
#### 200cm | 79in Bed (King)

Duvet cover:  
280x240cm (110.2 x 94.4 in)

Pillowcases: 45x100cm (17.7 x 39.3 in)

Fitted sheet:  
200x200x32cm (78.7 x 78.7 x 12.6 in)

### Duvet cover



#### 160cm | 63in Bed

Duvet cover:  
240x220cm (94.4 x 86.6 in)

Pillowcases:  
45x80cm (17.7 x 31.5 in)

Fitted sheet:  
160x200x32cm (63 x 78.7 x 12.6 in)



#### Washing

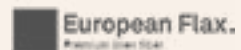
Wash at 30°C or 40°C with a neutral soap that does not contain abrasives or bleaches. Do not fill the drum of the washing machine to the maximum. Let it move freely.



#### Ironing and drying

Iron at a temperature of 3 points. If you want a more natural look we recommend to not iron it.

Drying can be done in a tumble dryer, however to extend the life of your linen, we advise you to air-dry it.







# Woodendot

## HEAD OFFICE

Calle Irún 23, 1º,  
28008 MADRID - SPAIN

## PRODUCTION

Calle Carracuellar s/n.  
47420 ÍSCAR, VALLADOLID - SPAIN

## CONTACT

[info@woodendot.com](mailto:info@woodendot.com)  
[www.woodendot.com](http://www.woodendot.com)  
+34 686 768 483

## PHOTOGRAPHY

CARMELA.WORK / WOODENDOT ARCHIVE

## CATALOG DESIGN

CARMELA.WORK  
[www.carmela.work](http://www.carmela.work)

**Woodendot**

LIVE DESIGN