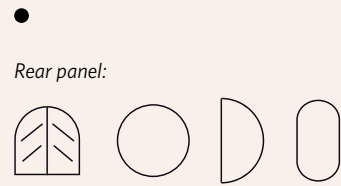
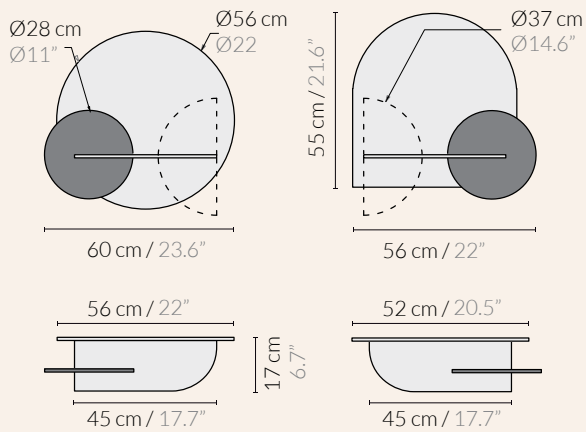
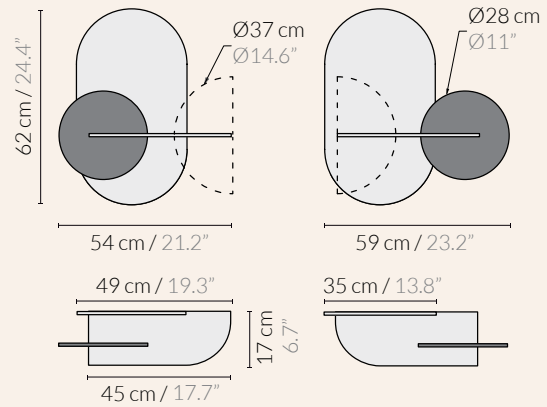
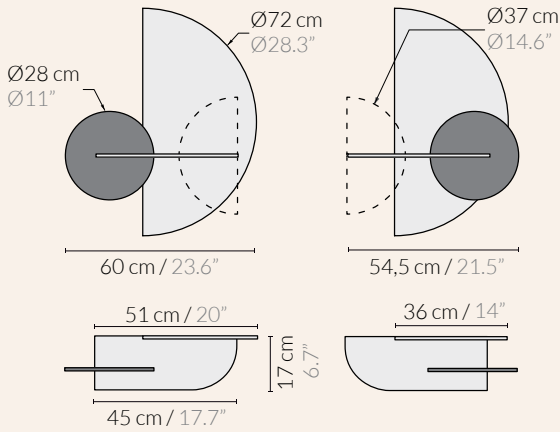
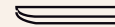


# ALBA Wall Shelf



Shelf cover:



Front panel:



- Modular system configurable by the user
- Easily assembled to right and left
- Rear hole for feeding cables
- Depth of storage of 9 cm between wooden panels
- Matte finish
- Clean with damp cloth
- Delivered in a flat package



⚖ 3,5Kg / 8 lbs



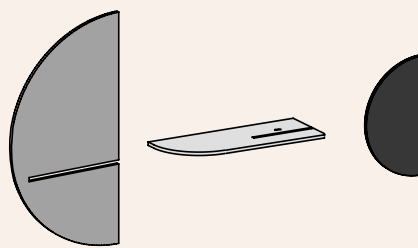
4 Kg / 9 lbs  
60x60x10H cm / 24"x24"x4"H

TECHNICAL SPECIFICATIONS

# ALBA Wall Shelf

MORE THAN  
**10.000** SETUPS

*Configure yours!*



REAR PANEL + SHELF COVER + FRONT PANEL =  
**UP TO 8 DIFFERENT OPTIONS**

