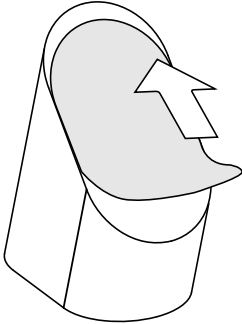


Risco

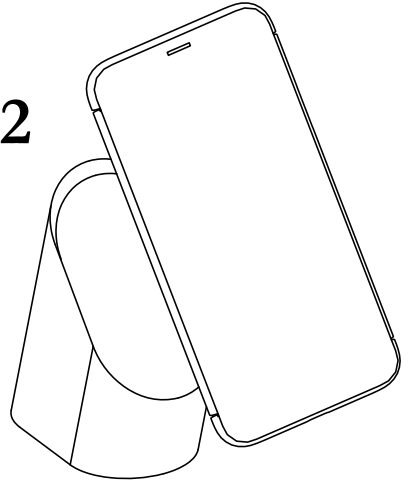
Floating smartphone stand

1



Remove the protective film

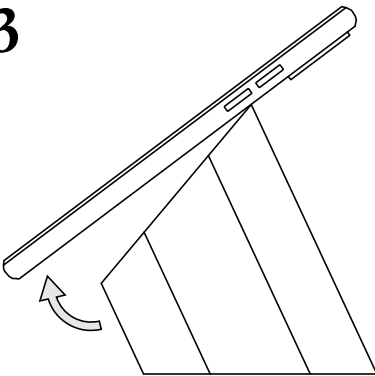
2



Now you can place your
smartphone

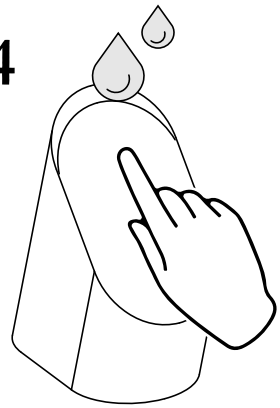
(Depending on the texture of the smartphone
and case, it will stick more or less, take your
time to get used to the removable adhesive)

3



Release your phone with a lever
motion

4



When the adhesive gets dirty,
wash gently with your fingers,
with water and without soap