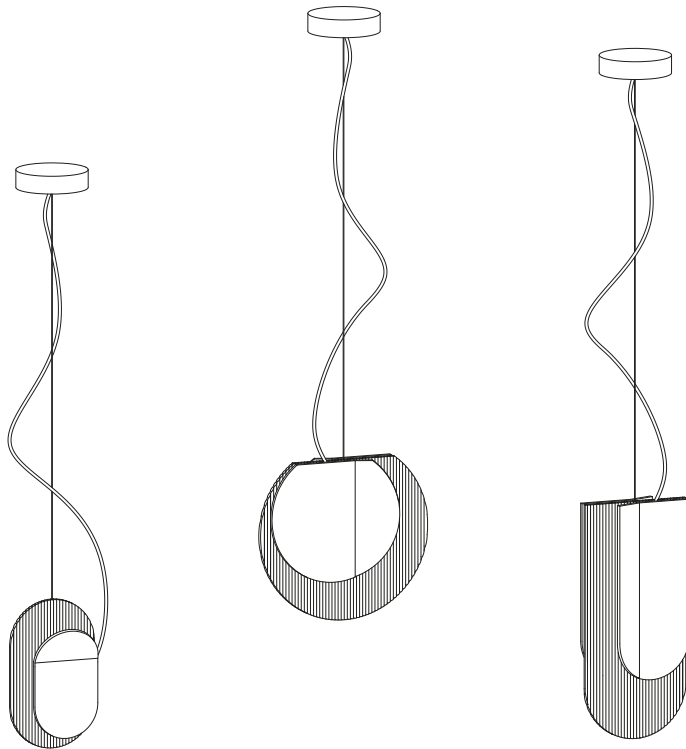
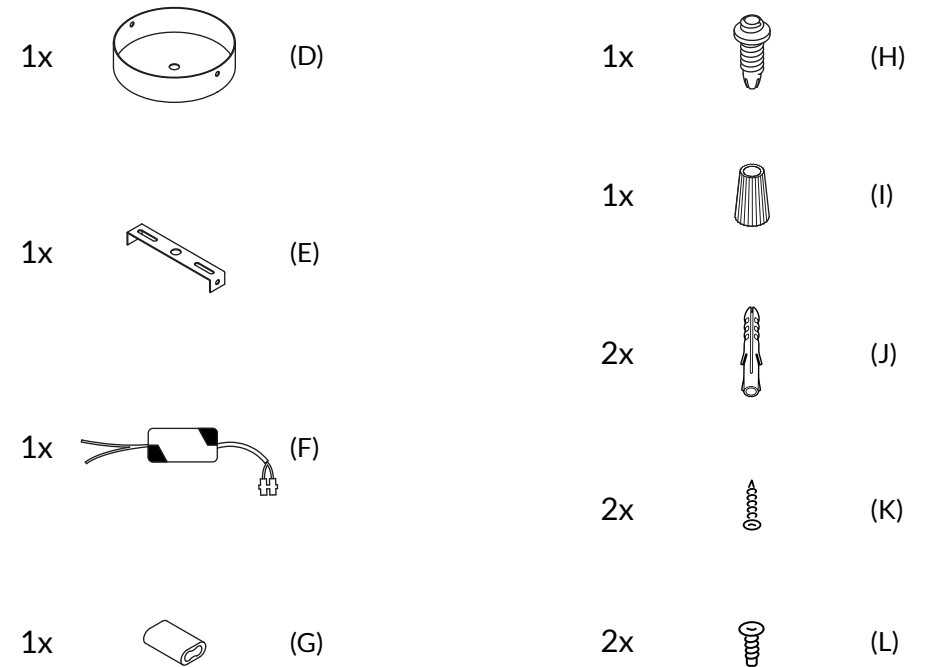
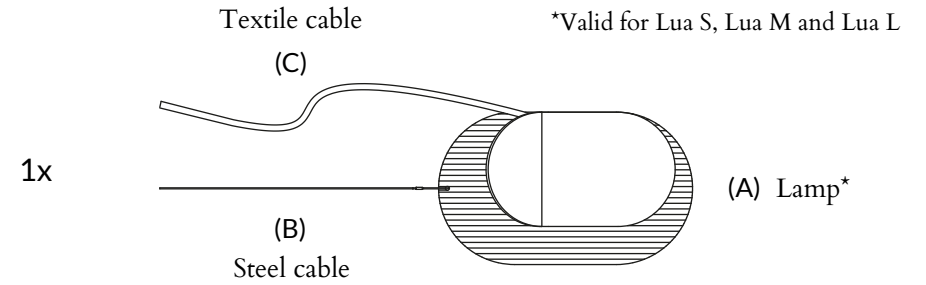



# LUA Ceiling Lamp

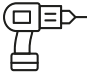
## ASSEMBLY INSTRUCTIONS




**Woodendot**  
LIVE DESIGN



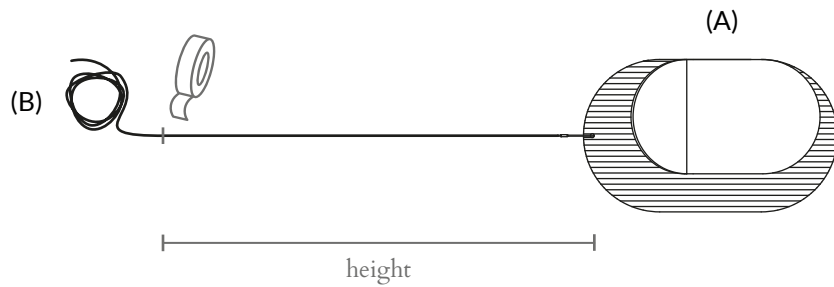
 We recommend two people for the installation

 You will need a manual drill for the ceiling installation

 The drill bit required is Ø 5mm or 0.19"  
Depth of the hole in ceiling: 30 mm/1.18"

For the hole to be the exact depth, measure 30 mm/1.18" on the drill bit and place tape around it to mark the distance. Stop drilling when it reaches that depth.

- 1° Before starting with the installation of the lamp, it is necessary to decide the height at which you want to hang it. Mark this height with a piece of tape on the steel cable (B), which will hold the lamp to the ceiling.

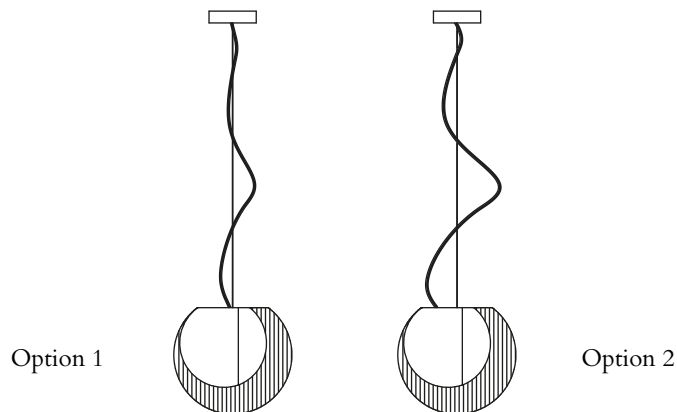


- 2° Define how taut you want the textile cable (C) to be (you can see examples of different tensions in the picture below), and mark again with a piece of tape this dimension on the textile cable (C).

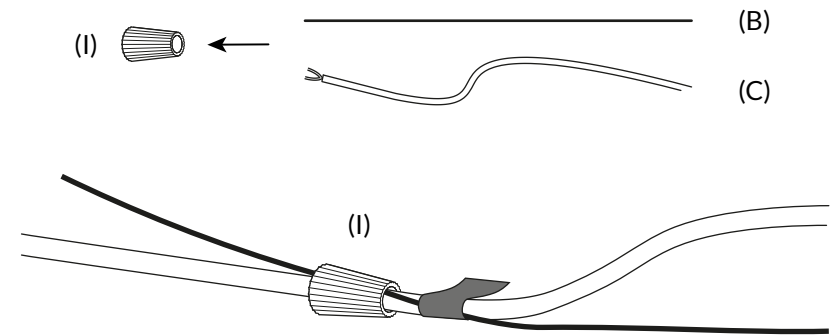
Below is an example to help you determine the size of the textile cable for your lamp. If the height of the steel cable is 1 metre, the size of the textile cable will be:

- Option 1: Tighter textile cable (1.03 m)
- Option 2: Less tight textile cable (1.14 m)

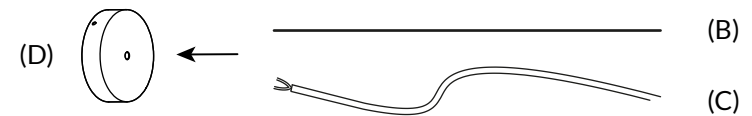
Apply this logic based on the height you determined for the steel cable in the previous step.



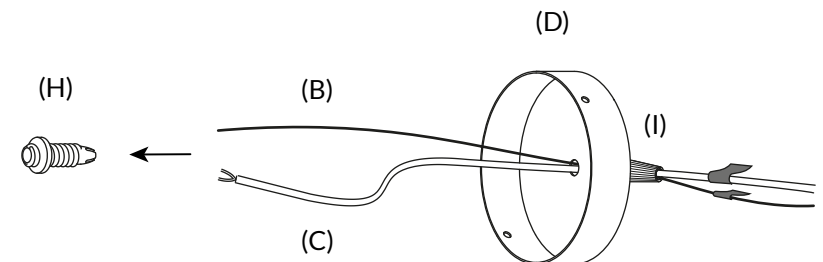
- 3° Pass the end of the steel cable (B) and the end of the textile cable (C) at the same time through part I, as shown in the picture. Position part I at the height marked with tape on both cables.



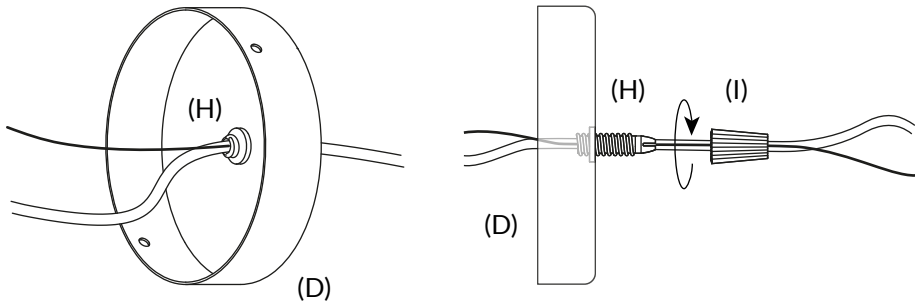
- 4° Then, insert the ends of both cables through the hole in the ceiling cover (D) and place it at the same point where you positioned part I.



- 5° In the same way, push in piece H through the ends of the wires as shown below. Bring it to the same point where the ceiling cover (D) and part I are, passing it through the hole in the ceiling cover (D).

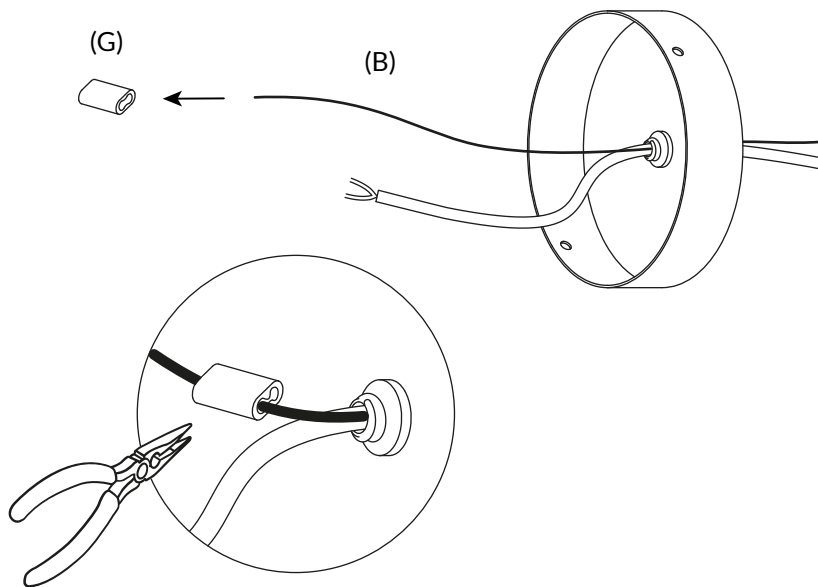


- 6° Make sure that part H enters through the hole on the ceiling cover (D) until it reaches the limit and locks into place. Screw part H to part I in such a way that the wires are securely fastened and tightened.



- 7° To ensure the attachment to the steel cable, use the sleeve (G) by inserting it through the end of the cable (B) and pulling it all the way to the ceiling cover. It must be tightened with pliers, which are not included in the package.

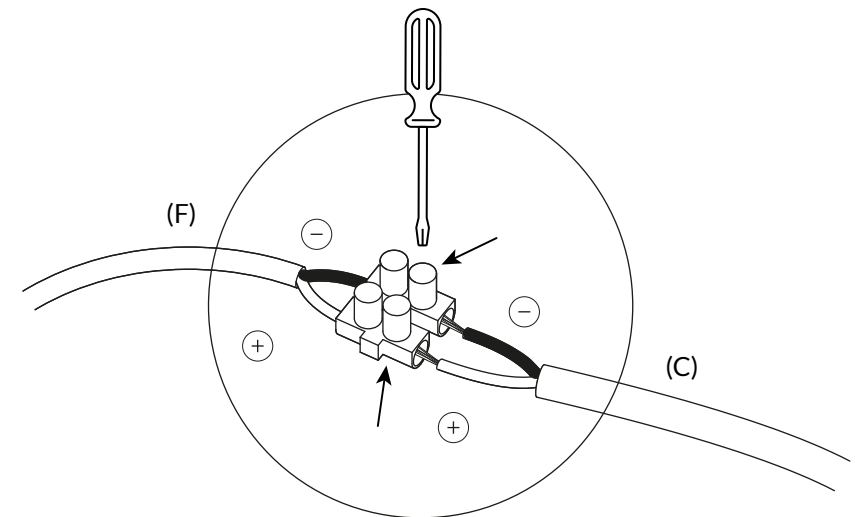
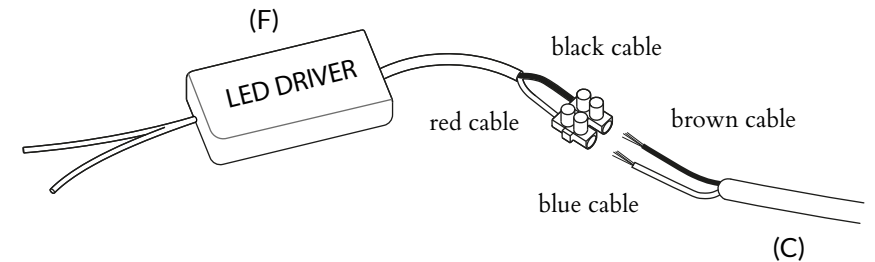
Note: Once tightened, you can cut off the excess steel cable (B) or roll it later inside the ceiling cover. You can do the same with the textile cable (C).



- 8° The textile cable (C) must be connected to the transformer (F) using the terminal strip attached to it.

To do this, take the end of the textile cable, which has two bare wires (the brown wire is negative and the blue wire is positive), and insert them through the holes in the power strip as shown in the picture, matching the negative pole to the negative and the positive pole to the positive.

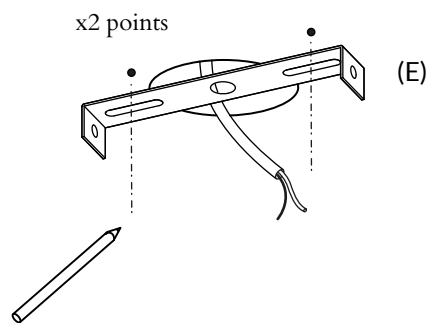
Once the wires have been inserted, tighten the screws on the top of the terminal strip with a screwdriver, making sure that the two wires are caught by the screws. It is important that the bare part of the copper wire makes contact with the screws.



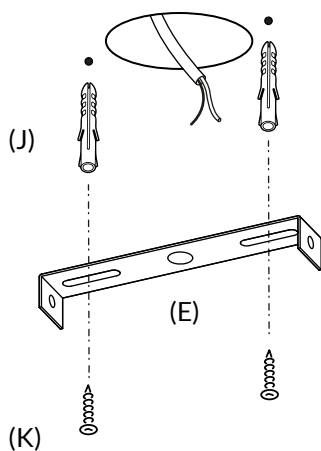
- 9° Now, put the lamp aside and proceed to hang the bracket to the ceiling. To do this, take the metal bracket (E), place it to the ceiling as shown in the picture and mark the position of the screws with a pencil.

It is important that you place the metal bracket (E) in the center of the hole on the ceiling where the cables come out so that when the ceiling cover (D) is fitted, this hole is completely hidden.

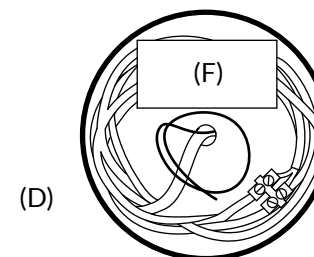
Once the two points have been marked, use a drill to make the holes.



- 10° Insert the plastic plugs (J) into the holes and screw the metal bracket (E) to the ceiling with the screws (K).



- 11° Insert the transformer (F) into the ceiling cover (D) as shown in the picture below. If you have not cut off the excess textile cable and steel cable, hide them inside the ceiling cover as well.



- 12° Finally, you must attach the lamp set to the metal ceiling bracket (E). For the installation, we recommend two people.

Person A: hold the lamp at the height you have decided so that person B can hang it more comfortably from the ceiling.

Person B: attach the free end of the transformer (F) to the cable of your ceiling. When connected, screw the ceiling cover (D) to the metal ceiling bracket (E) using two screws (L).

