

COLLECTION

# LUA

## Ethereal Lighting



The perfect way to create the room ambiance you have been dreaming of. With delicate shapes, LUA is designed to reflect light softly in a way that complements your room and makes your space instantly cozy.

LUA's ethereal look brings a new unique perspective to room lighting. Deeply inspired by the need to create a cozy ambiance in the busiest rooms of a home, like the living room, in a combination of shapes and pieces that complete the space and invite you in.

In their unique design, LUA's lighting pieces are composed of three panels carefully positioned to portray the light organically, forming a kind of halo that, hand in hand with its light intensity, creates the perfect atmosphere.

La forma perfecta de crear el ambiente que siempre ha soñado. Con formas delicadas, LUA está diseñada para reflejar la luz suavemente de forma que complemente su habitación y haga de su espacio acogedor al instante.

El aspecto etéreo de LUA aporta una nueva perspectiva única a la iluminación del espacio. Profundamente inspirada en la necesidad de crear un ambiente acogedor en las estancias más concurridas de un hogar como el salón, en una combinación de formas y piezas que completan el espacio y te invitan a entrar a él.

En su diseño único, las piezas de LUA se componen de tres paneles cuidadosamente colocados para retratar la luz de forma orgánica, formando una especie de halo que, de la mano de su intensidad lumínica, crea la atmósfera perfecta.







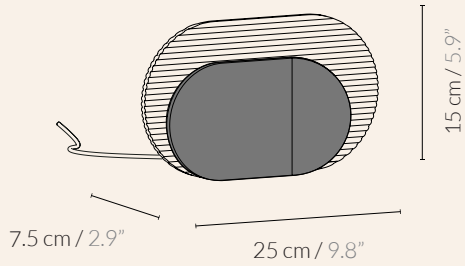


# LUA

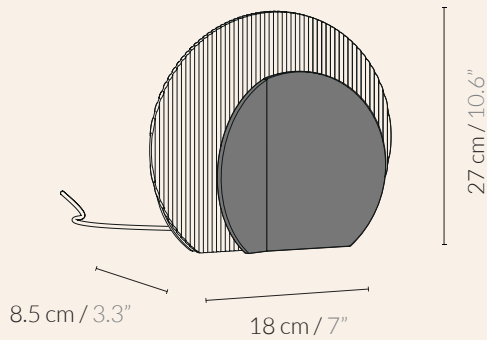
## Table Lamp



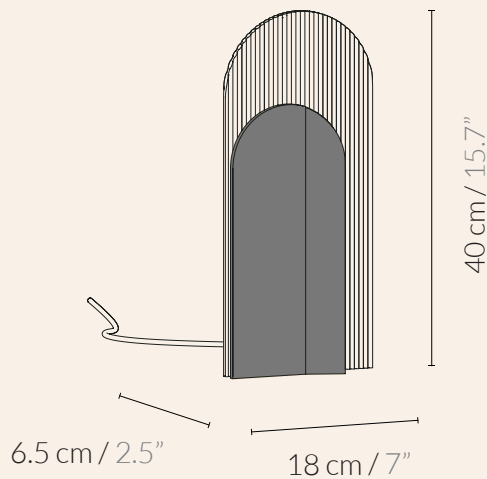
S



M





L



LU-S- / LU-M- / LU-L-

- OAK Middle panel oak lateral panels oak
- BLK Middle panel black lateral panels black
- WHT Middle panel white lateral panels white
- OB Middle panel oak lateral panels black
- OW Middle panel oak lateral panels white
- BO Middle panel black lateral panels oak
- WO Middle panel white lateral panels oak

-  LU-S 1 Kg / 2.2 lbs
- LU-M 1.4 Kg / 3 lbs
- LU-L 1.6 Kg / 3.5 lbs

-  LU-S 1.5 Kg / 3.3 lbs  
39 x 26 x 9.8H cm / 15.3" x 10.2" x 3.8"H
- LU-M 1.9 Kg / 4 lbs  
38 x 33 x 11.8H cm / 14.9" x 13" x 4.6"H
- LU-L 2.1 Kg / 4.6 lbs  
49 x 25 x 9.8H cm / 19.3" x 9.8" x 3.8"H

- Matte finish  
Clean with a damp cloth  
Delivered in a flat package

- LED LIGHTING
  - Dimmable light
  - LED COB DC24V 384LED/m (warm light 3.000K)
  - Hand switch to turn on/off and control intensity
  - Plug: Type C (Euro-plug), for some countries you will need an adapter which is not included



TECHNICAL SPECIFICATIONS

# LUA

## Ceiling Lamp



Matte finish  
Clean with a damp cloth  
Delivered in a flat package



LED LIGHTING  
- LED COB DC24V 384LED/m (warm light 3.000K)  
- Traditional ceiling electrical installation



LUC-S 1 Kg / 2.2 lbs  
LUC-M 1.4 Kg / 3 lbs  
LUC-L 1.6 Kg / 3.5 lbs

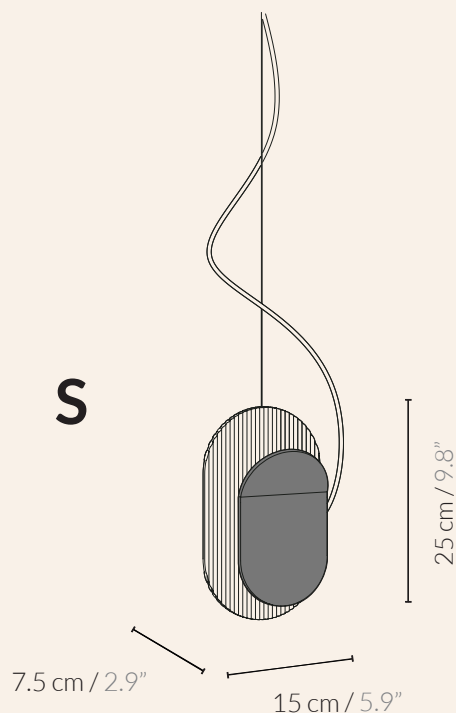


LUC-S 1.5 Kg / 3.3 lbs  
39 x 26 x 9.8H cm / 15.3" x 10.2" x 3.8"H  
LUC-M 1.9 Kg / 4 lbs  
38 x 33 x 11.8H cm / 14.9" x 13" x 4.6"H  
LUC-L 2.1 Kg / 4.6 lbs  
49 x 25 x 9.8H cm / 19.3" x 9.8" x 3.8"H

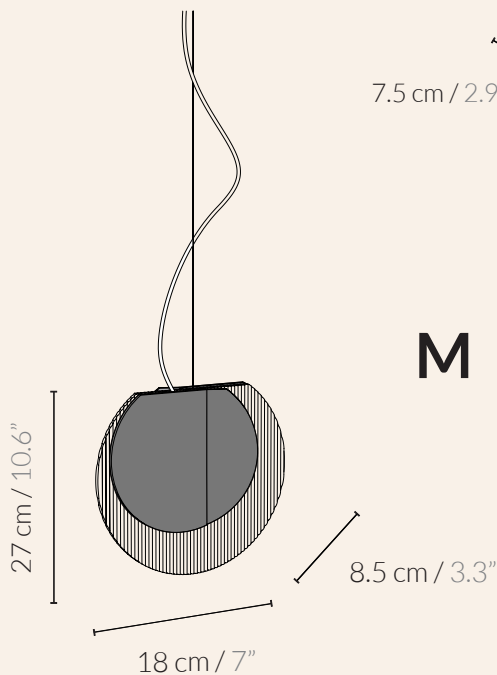
LUC-S- / LUC-M- / LUC-L-

OAK Middle panel oak lateral panels oak  
BLK Middle panel black lateral panels black  
WHT Middle panel white lateral panels white  
OB Middle panel oak lateral panels black  
OW Middle panel oak lateral panels white  
BO Middle panel black lateral panels oak  
WO Middle panel white lateral panels oak

S



M



L

