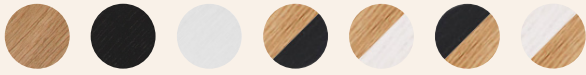


TECHNICAL SPECIFICATIONS

LUA

Ceiling Lamp



Matte finish
Clean with a damp cloth
Delivered in a flat package



LED LIGHTING
- LED COB DC24V 384LED/m (warm light 3.000K)
- Traditional ceiling electrical installation



LUC-S 1 Kg / 2.2 lbs
LUC-M 1.4 Kg / 3 lbs
LUC-L 1.6 Kg / 3.5 lbs

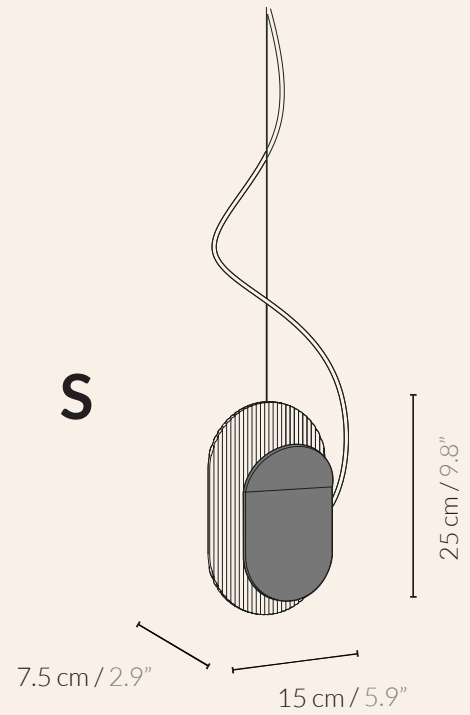


LUC-S 1.5 Kg / 3.3 lbs
39 x 26 x 9.8H cm / 15.3" x 10.2" x 3.8"H
LUC-M 1.9 Kg / 4 lbs
38 x 33 x 11.8H cm / 14.9" x 13" x 4.6"H
LUC-L 2.1 Kg / 4.6 lbs
49 x 25 x 9.8H cm / 19.3" x 9.8" x 3.8"H

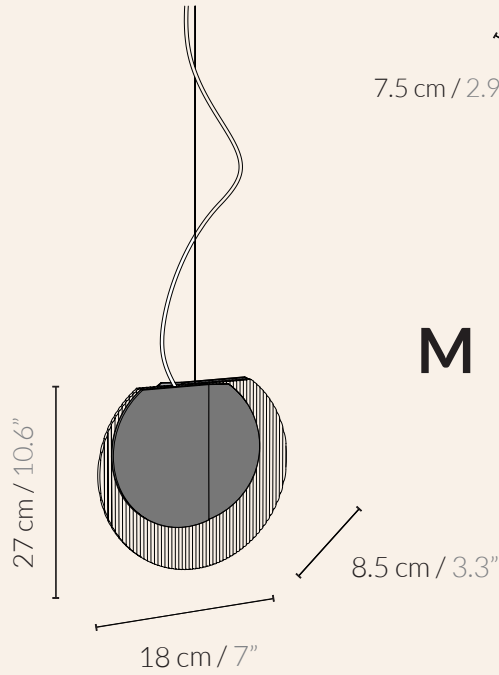
LUC-S- / LUC-M- / LUC-L-

OAK Middle panel oak lateral panels oak
BLK Middle panel black lateral panels black
WHT Middle panel white lateral panels white
OB Middle panel oak lateral panels black
OW Middle panel oak lateral panels white
BO Middle panel black lateral panels oak
WO Middle panel white lateral panels oak

S



M



L

