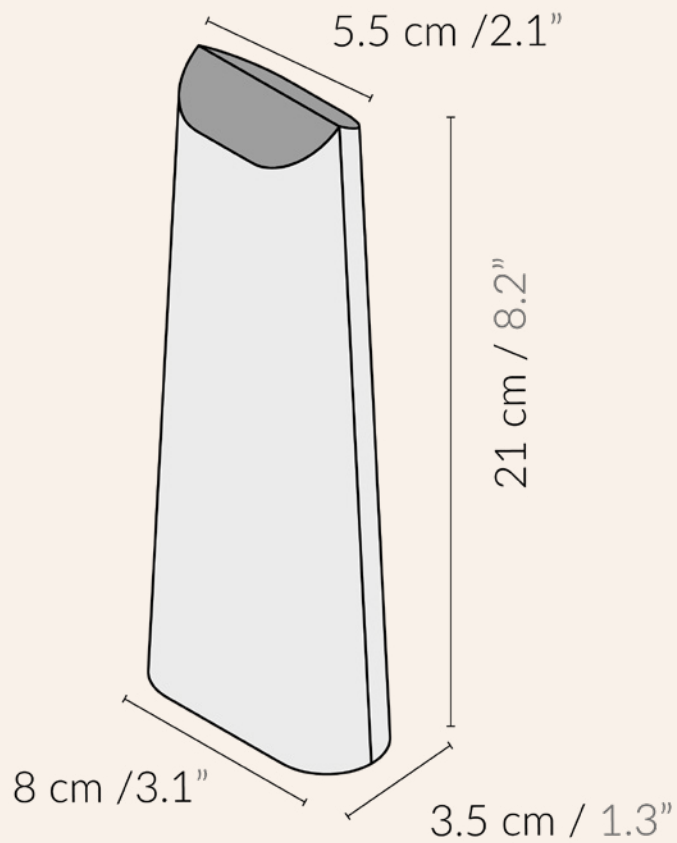



MALLO



Removable and lavable adhesive base
Zero remains in your desk
Ideal height for any headphones
Matte finish



 PE-S 600 g / 1.3 lbs

- OAK Oak Mallo headphones stand
- BLK Black Mallo headphones stand

