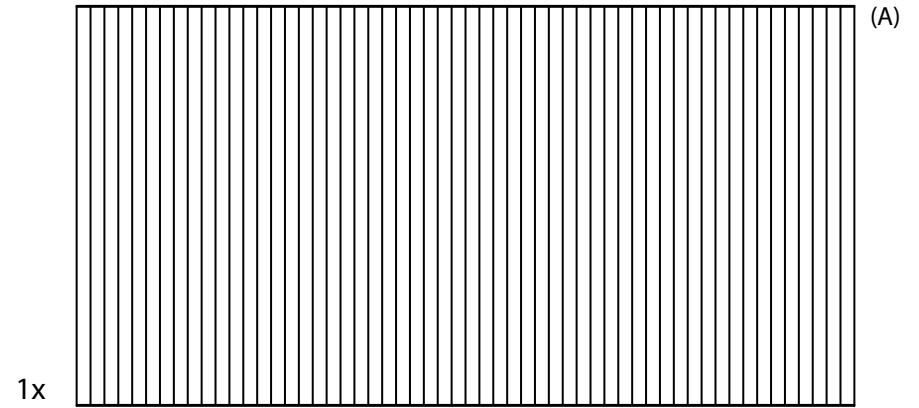
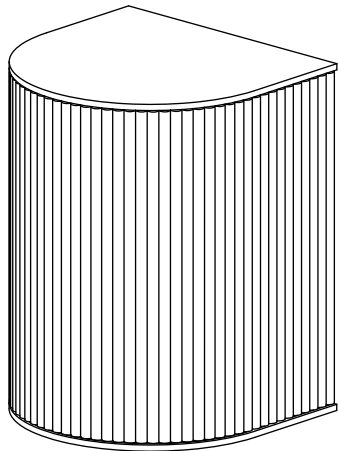

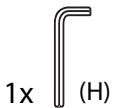
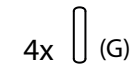
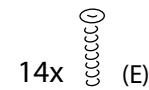
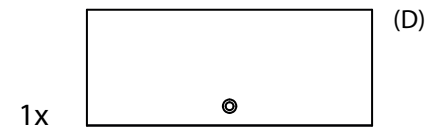
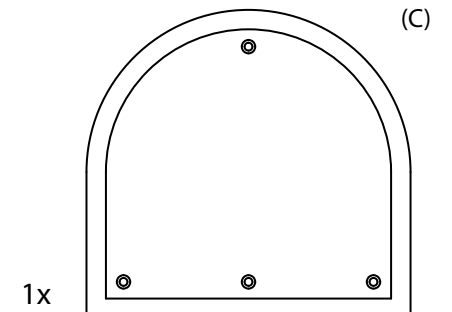
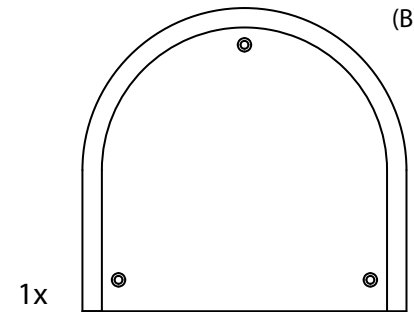


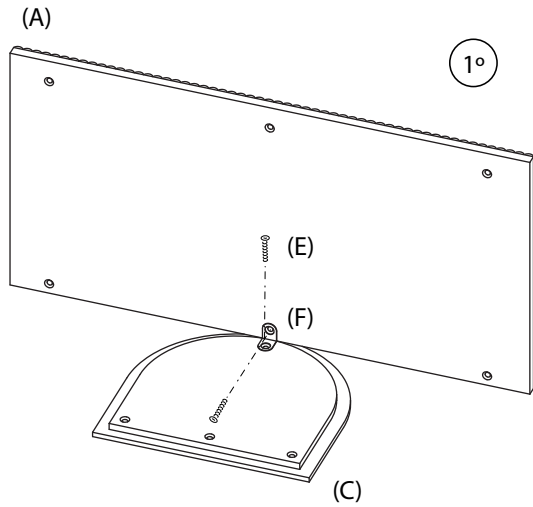
Duna Shifting Stool

ASSEMBLY INSTRUCTIONS



 Flexible Panel
This panel must only be slightly curve keeping the ribbed part to the outside, curving it to the wrong side might result in damage of the product.



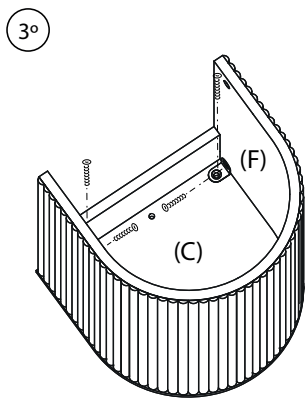
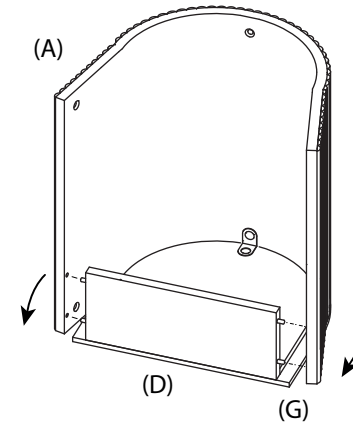


1°

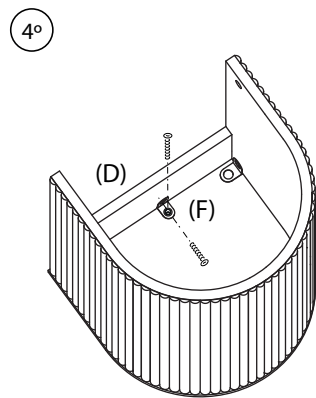
Place the L-shaped metal piece (F) to attach the bottom lid (C) to the flexible panel (A). Place the screws (E) but do not tighten them yet.

2°

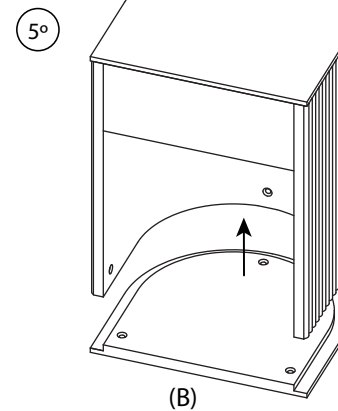
Place the wooden piece (D) in place. Then, gently curve the flexible panel's (A) sides towards the wooden piece (D) making it fit in the wooden dowels (G).



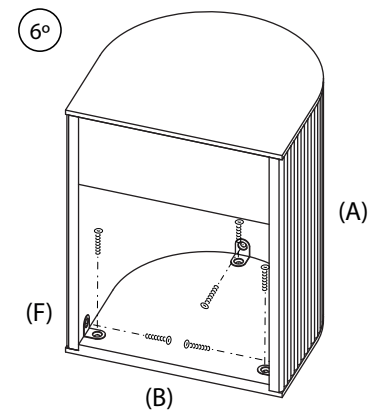
Place in two L-shaped metal pieces (F) to hold the bottom lid (C) in place.



Screw an L-shaped metal piece (F) to the wooden plank (D) to finish holding all pieces in place.



Turn the product around to place the top lid (B) easily.



Finally, screw in three L-shaped metal pieces (F) to the top lid (B) and to the flexible panel (A).

Once you check that all the parts are positioned properly, tighten all the L-shaped metal pieces (F).