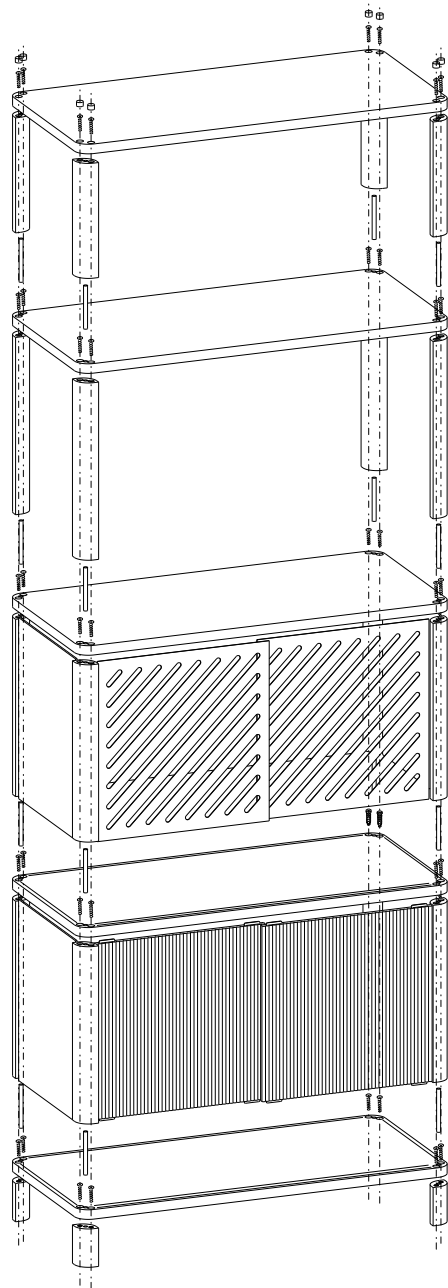
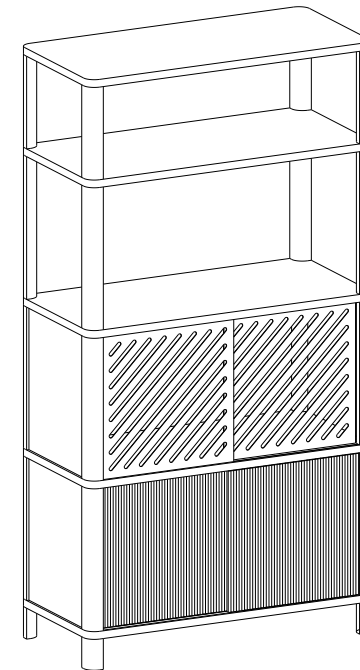


ASSEMBLY INSTRUCTIONS

Cloe

Modular Storage System



Low Open Module

High Open Module

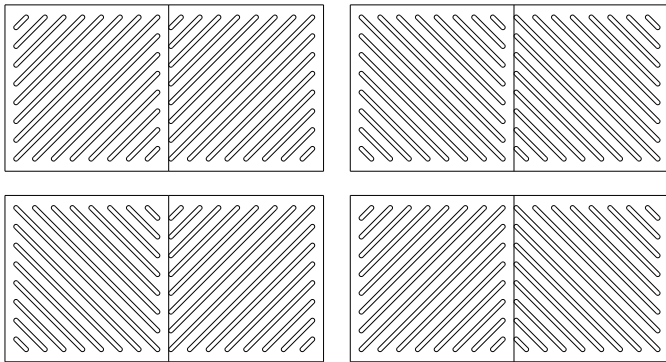
Closed Module with Metal Doors

Closed Module with Wooden Doors

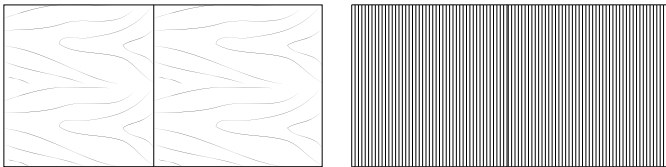
Woodendot

LIVE DESIGN

4 DIFFERENT PATTERN COMBINATIONS REVERSIBLE METAL DOORS



2 DIFFERENT WOOD TEXTURES REVERSIBLE WOODEN DOORS

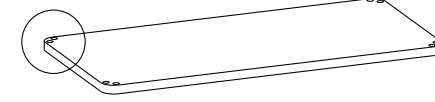


It is recommended to use an electric screwdriver, but be careful not to force it as it can damage the shelf.



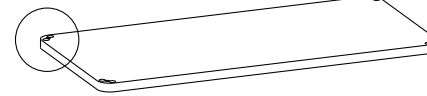
It is recommended to use a hammer.

2 Holes



1x
Top Shelf (A)

3 Holes



1x per Open Module
Base (B)

3 Holes + Top Rails



1x per Closed Module
Base (C)



8x
Wooden plugs
(D)



8x per Module
+ 8x Top Shelf
(E)



1x
(F)



1x
(G)



1x
(H)



1x
Textile
(I)



4x per Module
Metal Cylinders
(J)



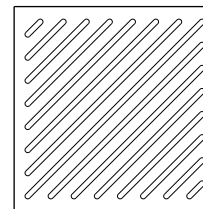
4x
Legs
(K)



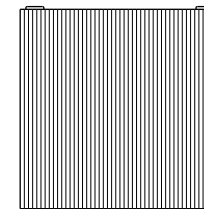
4x per Low
Module Battens
(L)



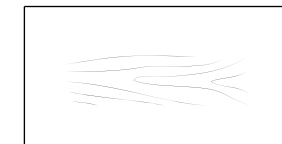
4x per High
Module Battens
(M)



2x per
Closed Module Metal
Doors (N)



2x per
Closed Module
Wooden Doors (O)



1x per
Closed Module Rear
Panel (P)



2x per
Closed Module
Side Panels (Q)

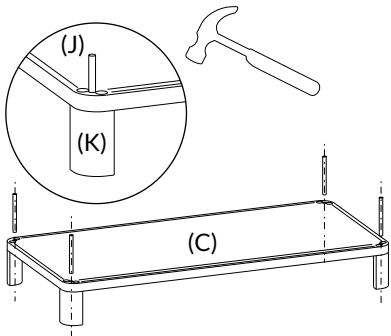
CLOSED MODULE ASSEMBLY

1°

Put together the base and legs using the metal cylinders (J). Note that the base varies depending on whether you are assembling an open (B) or closed module (C).

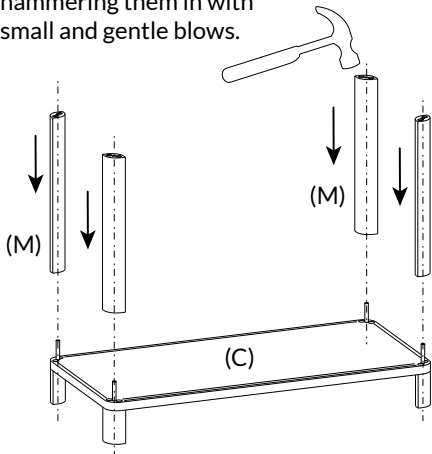
In this example you can see the assembly of a closed module, therefore the base used is (C).

Hammer the metal cylinders (J) in with small and gentle blows.



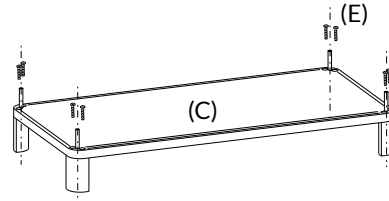
3°

Insert the vertical battens (M) hammering them in with small and gentle blows.



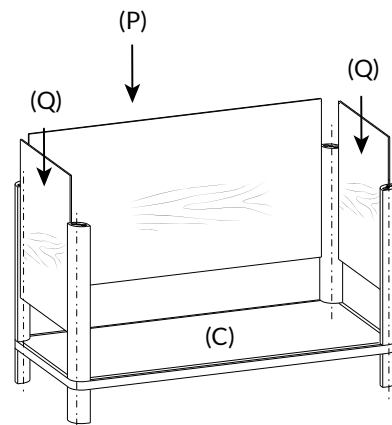
2°

Insert the screws to the base (C).



4°

Slide in the rear (P) and side panels (Q), putting pressure with your hands.



OPEN MODULE ASSEMBLY

1°

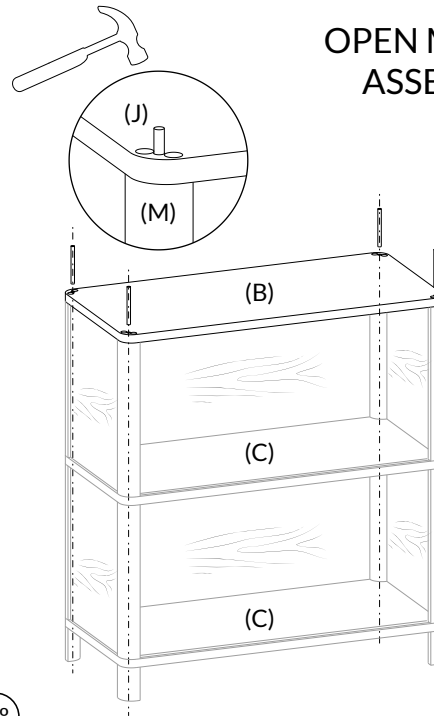
Hammer in the metal cylinders (J) with small and gentle blows.

Note that the base varies depending on whether you are assembling an open (B) or closed module (C).

In this example you can see the assembly of an open module, therefore the base used is (B).

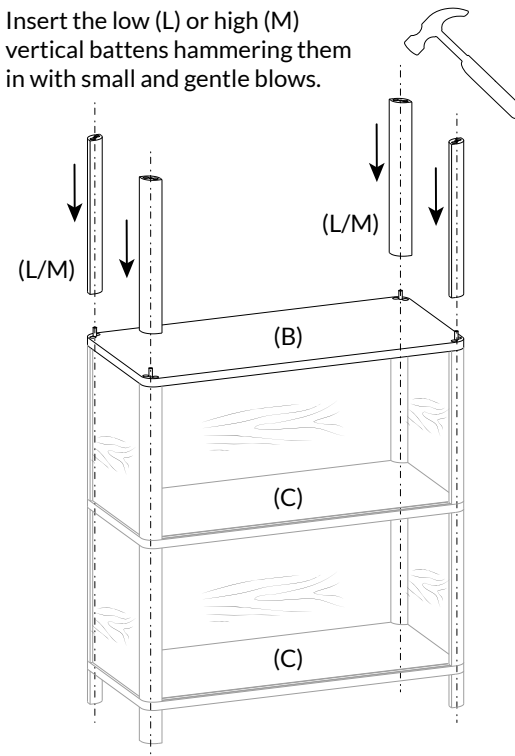
2°

Insert the screws to the base (B).

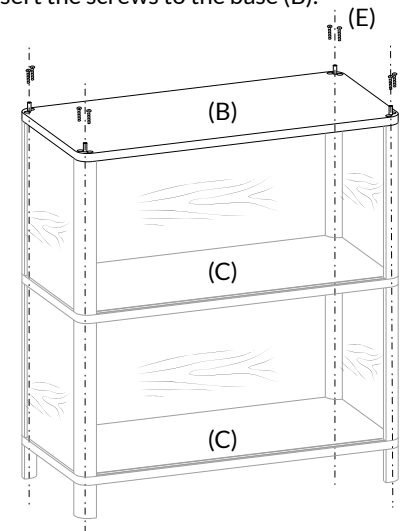


3°

Insert the low (L) or high (M) vertical battens hammering them in with small and gentle blows.



2°



Repeat the steps in this page to build each module separately or on top of one another.

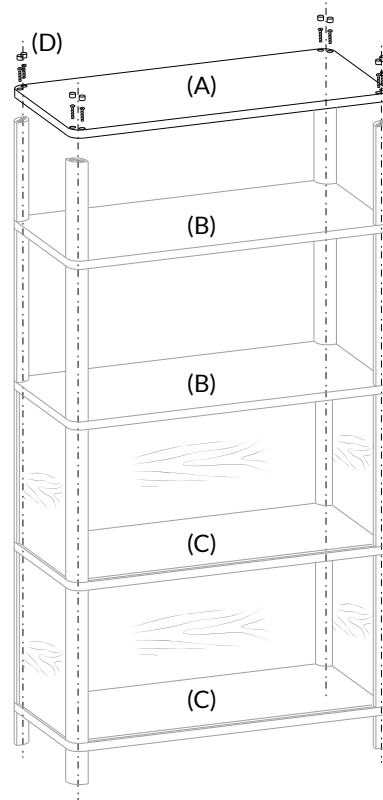
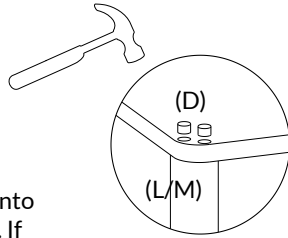
For the last/top shelf (A) see the next step.

TOP SHELF ASSEMBLY

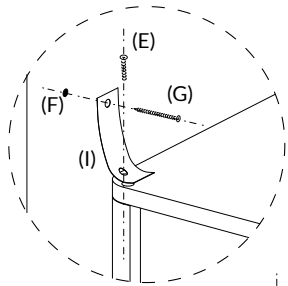
Screw the Top Shelf (A) to the battens of the module built last.

Metal cylinders (J) are not needed for this piece.

Insert the wooden plugs (D) into the holes of the Top Shelf (A). If necessary, gently hammer them in.



For your safety, you MUST fix the shelf to the wall if it exceeds a height of 160cm or 5 feet. Go to the "Securing the System" section in this manual to learn how.

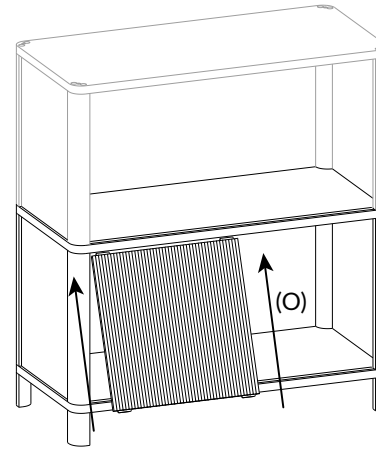


SECURING THE SYSTEM

- 1° Drill a hole into the wall where you would like the top shelf's (A) upper corner to be.
- 2° Insert piece (F) into the hole.
- 3° Separately, take the textile (I) and pierce one of its ends using the screw (G).
- 4° Insert the pierced textile with the screw into the wall holes where you previously inserted piece (F) (Step 2). Now one end of the textile will be fixed to the wall.
- 5° Take the other end of the textile (I) and fix it to the top shelf (A) as shown in the "Top Shelf Assembly" section of this manual. Wooden plugs (D) are not used in this case.

DOORS ASSEMBLY

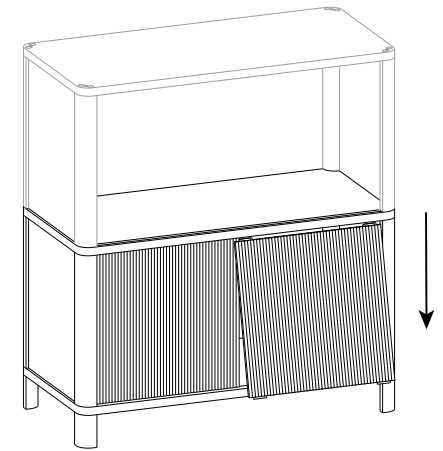
1°



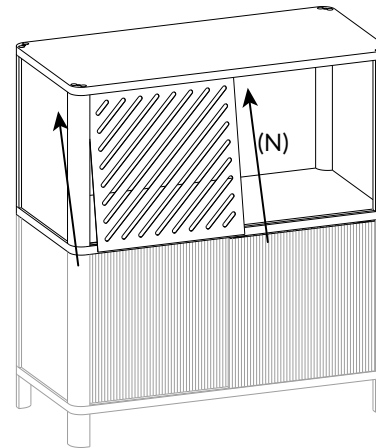
Wooden doors (O) are reversible with a different texture on each side. You can flip them to have the one you prefer facing the front. The long metal pieces must be facing upwards.

Insert the first door into the back rail and the second door into the first rail. Large sliding tabs at the top, short ones at the bottom.

2°



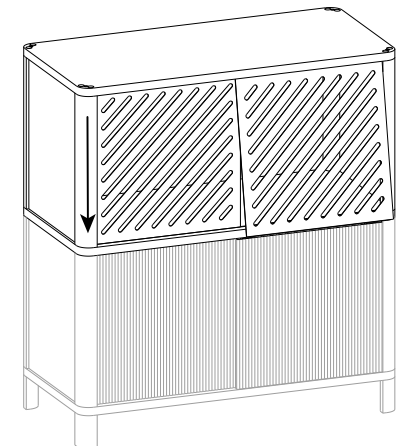
1°



Metal doors (N) are reversible creating four different pattern combinations. You can flip them to have the one you prefer facing the front. Metal doors are rectangular, position the longer side vertically.

Insert the first door into the back rail and the second door into the first rail.

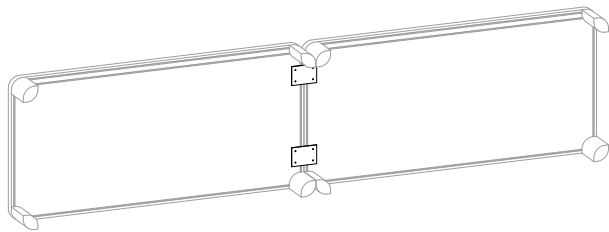
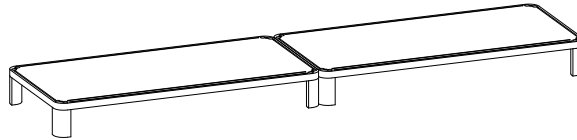
2°



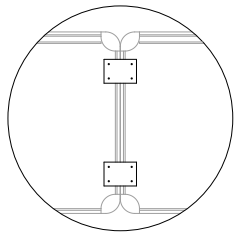
JOINING OF MULTIPLE VERTICAL CONFIGURATIONS

If you have chosen a onfiguration of two or more Cloes, we highly recomend to secure the union.

- 1° Once you have built the base, and before inserting the vertical battens (L/M), flip the bases 90° as shown in the figure.



You will find two metal plates that you'll need to join the two pieces together.



- 2° Screw the pieces as close to the legs (K) as possible, making sure one half of the piece is in one base and the other half in the other base.
- There are not pre-made holes on the base, these will be made once you start screwing the pieces.

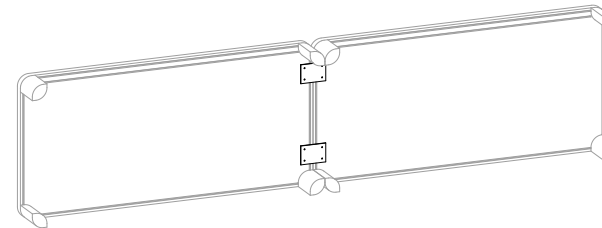
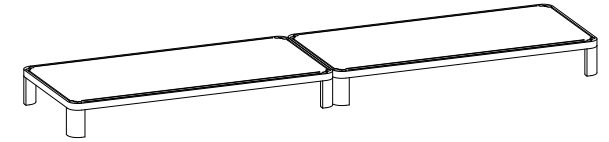
- 3° From now on, continue from step 2 of section "closed/open module assembly".

Depending on the height of your furniture, you will find 2, 4 or 6 metal plates to be placed at the bottom, at the top and/or in the middle, respectively.

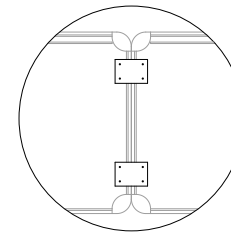
JOINING OF MULTIPLE VERTICAL CONFIGURATIONS

If you have chosen a onfiguration of two or more Cloes, we highly recomend to secure the union.

- 1° Once you have built the base, and before inserting the vertical battens (L/M), flip the bases 90° as shown in the figure.



You will find two metal plates that you'll need to join the two pieces together.



- 2° Screw the pieces as close to the legs (K) as possible, making sure one half of the piece is in one base and the other half in the other base.
- There are not pre-made holes on the base, these will be made once you start screwing the pieces.

- 3° From now on, continue from step 2 of section "closed/open module assembly".

Depending on the height of your furniture, you will find 2, 4 or 6 metal plates to be placed at the bottom, at the top and/or in the middle, respectively.