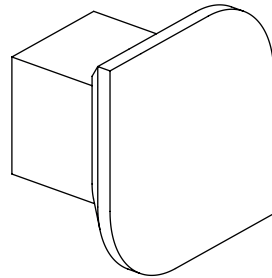


Cielo Hook

ASSEMBLY INSTRUCTIONS



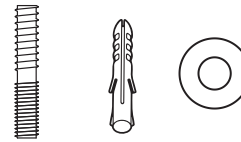
You will need a manual drill for the wall holes



The drill bit required is \varnothing 8 mm or 5/16"
Depth of the hole in the wall: 50 mm / 1.97"

For the hole to be the exact depth, measure 50 mm / 1.97"
on the drill bit and place tape around it to mark the
distance. Stop drilling when it reaches that depth.

Package contains



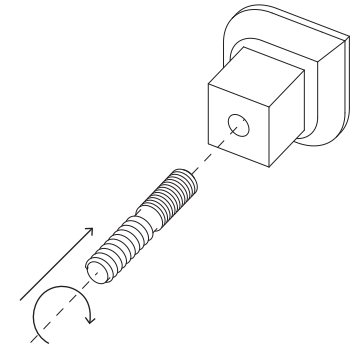
1x 1x 1x

The stability of the Cielo hook depends highly on the wall composition. Some fragile walls may require reinforcement (not included).

1°

Decide where you are going to place the hook, then drill a hole in the wall and insert the anchor into it.

Insert the screw into the hook (it only goes in from one side).



2°

Now, you can screw the hook to the wall.

If the hook is not parallel to the ground, unscrew it.

Insert the washer in the screw and then screw the hook to the wall forcing the angle to make it parallel, as in the picture.

