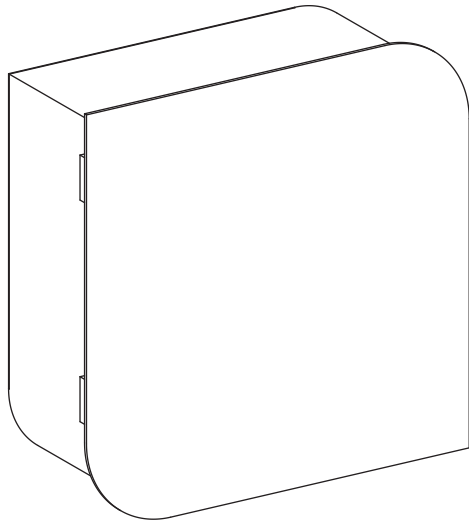
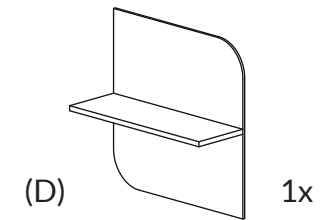
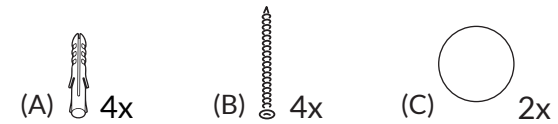


Cielo Wall Cabinet

ASSEMBLY INSTRUCTIONS



Woodendot
LIVE DESIGN



We recommend two people
for the installation



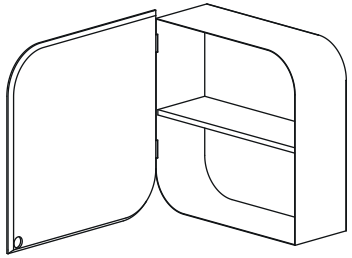
You will need a manual drill
for the wall holes



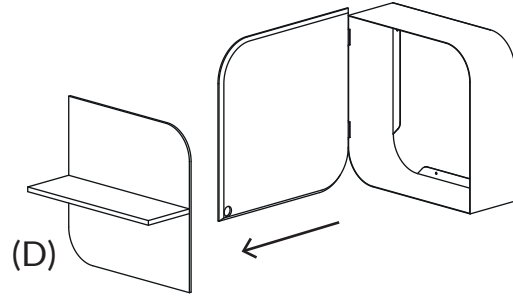
The drill bit required is \varnothing 6 mm or 15/64"
Depth of the hole in wall: 40 mm/1.57"

For the hole to be the exact depth, measure 40 mm/1.57"
on the drill bit and place tape around it to mark the
distance. Stop drilling when it reaches that depth.

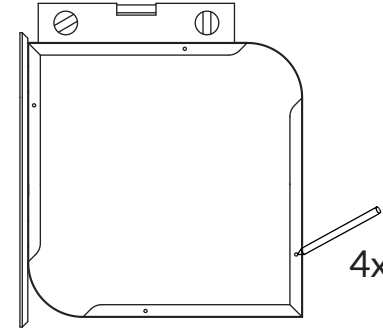
1°



You will find the cabinet assembled.
In order to install it you must first remove the shelf (D) [it is joined to the rear piece].



2°



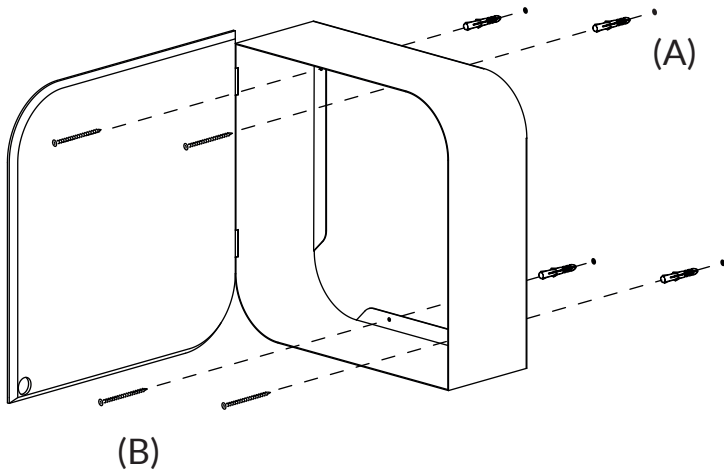
Hold the cabinet to the wall, use the level tool to make sure it's horizontal.

Mark the cabinet holes and put the cabinet aside.

Drill the holes in the wall with the manual drill.

3°

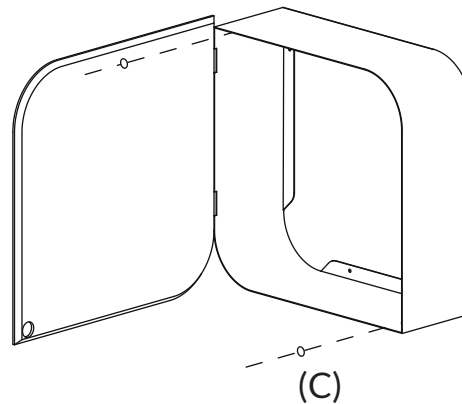
Attach the cabinet to the wall using the anchors and screws.



4°

Once the cabinet is secured, place the two stickers (C) inside the metal base of the cabinet, where the pointy corners are.

Peel off the protector on one side of the sticker to put it in the corner. Repeat for the second sticker.



5°

Now that the stickers are in position, peel off the stickers protectors from the other side.

Then, re-insert the shelf (D).

