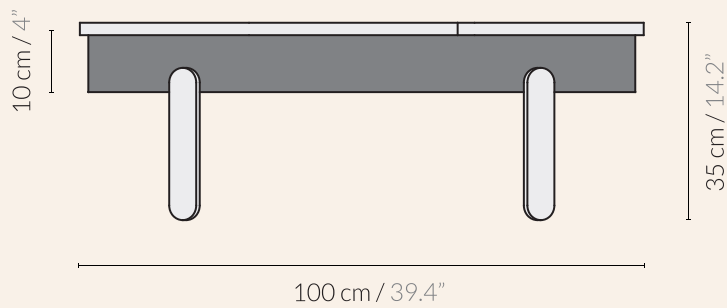
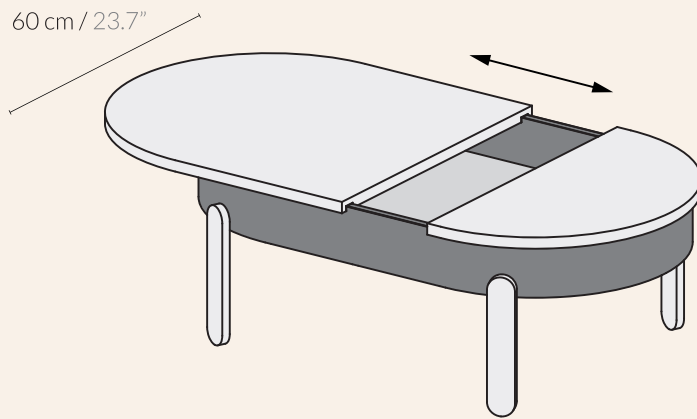


TECHNICAL SPECIFICATIONS



BATEA L



- BA-L-WB Large Walnut-Black Batea coffee table
- BA-L-OW Large Oak-White Batea coffee table
- BA-L-OB Large Oak-Black Batea coffee table



- Sliding lid made of ash/ oak/ walnut veneer
- Legs made of solid ash/ oak/ walnut
- Structure in lacquered steel
- Matte finish
- Clean with damp cloth
- Easily assembled
- Delivered in a flat package

-  14 Kg / 30.8 lbs
-  15 Kg / 33 lbs
- 105 x 65 x 15H cm / 41.3" x 25.6" x 6"H