

COLLECTION

# BATEA L



The largest member of the Batea family has a large storage space that opens up when you slide back the table top. A coffee table that combines tradition and modernity, adapting to the dynamics of each space, keeping everything in order.

With clean, rounded lines, this piece comprises a wood veneer tabletop and solid wood legs that can be easily attached to a lacquered metal structure.

Available in oak and black and white lacquered metal finishes.

La mayor de la familia Batea, cuenta con un gran espacio de almacenaje que se descubre al deslizar su base. Una mesa que fusiona tradición y modernidad, adaptándose al dinamismo de cada espacio, facilitando su orden.

De líneas limpias y redondeadas, se compone de base y cuatro patas de madera maciza, que se montan fácilmente sobre una estructura de metal lacado y madera.

Disponible en madera de roble y acabados metal lacado negro y blanco.

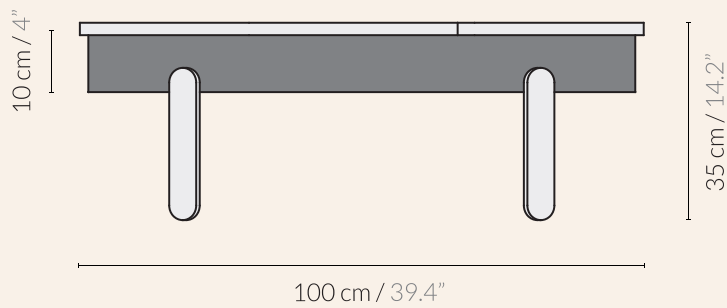
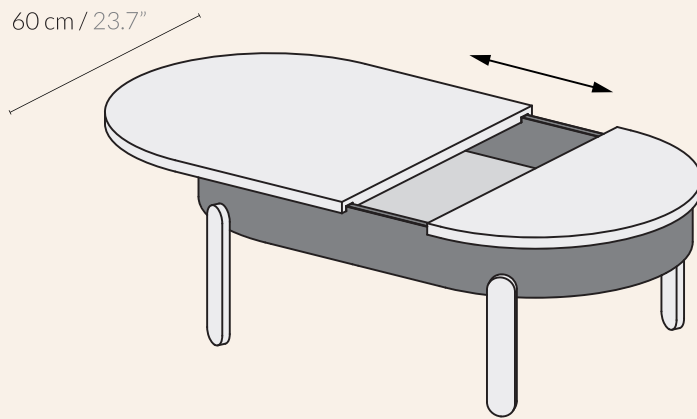






TECHNICAL SPECIFICATIONS



# BATEA L



- BA-L-WB Large Walnut-Black Batea coffee table
- BA-L-OW Large Oak-White Batea coffee table
- BA-L-OB Large Oak-Black Batea coffee table



- Sliding lid made of ash/ oak/ walnut veneer
- Legs made of solid ash/ oak/ walnut
- Structure in lacquered steel
- Matte finish
- Clean with damp cloth
- Easily assembled
- Delivered in a flat package

-  14 Kg / 30.8 lbs
-  15 Kg / 33 lbs
- 105 x 65 x 15H cm / 41.3" x 25.6" x 6"H

COLLECTION

# BATEA S

The smallest member of the Batea family, inspired by traditional serving trays, provides extra functionality with its solid wooden tray, easy to remove and use. A side tray table that combines tradition and modernity, adapting to the dynamics of each space.

With clean, rounded lines, this piece comprises a wood veneer tabletop and solid wood legs that can be easily attached to a lacquered metal structure.

Available in seven different finishes, two natural finishes made of oak wood and five in colour made of ash.

La pequeña de la familia Batea, inspirada en las tradicionales bandejas para servir, aporta funcionalidad extra con su bandeja de madera maciza, fácil de extraer y de utilizar. Una mesa que fusiona tradición y modernidad, adaptándose al dinamismo de cada espacio.

De líneas limpias y redondeadas, se compone de una bandeja y tres patas de madera maciza, que se montan fácilmente sobre una estructura de metal lacado.

Disponible en siete acabados diferentes, dos acabados naturales elaborados con madera de roble y cinco en color elaborados con madera de fresno.



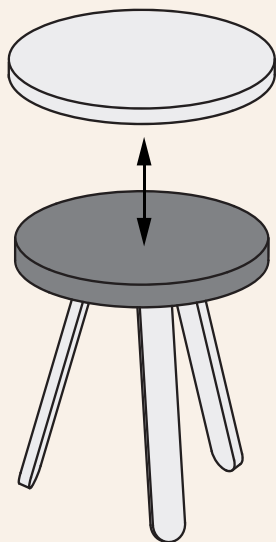
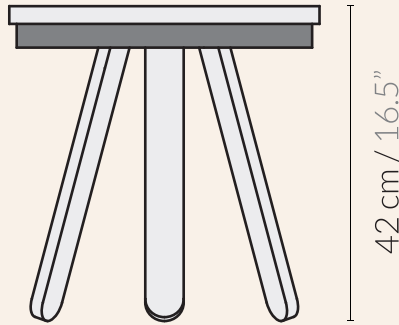
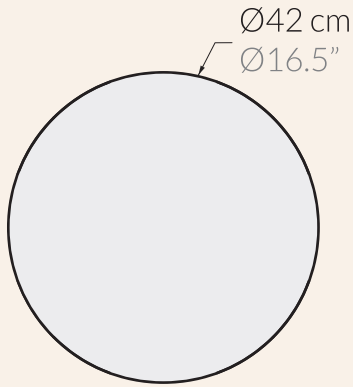









# BATEA S




- BA-S-WB Small Walnut-Black Batea tray table
- BA-S-OW Small Oak-White Batea tray table
- BA-S-OB Small Oak-Black Batea tray table
- BA-S-WHT Small White Batea tray table
- BA-S-BLK Small Black Batea tray table
- BA-S-GRY Small Grey Batea tray table - RAL 7040
- BA-S-BLU Small Blue Batea tray table - RAL 5011
- BA-S-GRN Small Green Batea tray table - RAL 6033



- Tray table made of ash/ oak/ walnut veneer
- Legs made of solid ash/ oak/ walnut
- Structure in lacquered steel
- Matte finish
- Clean with damp cloth
- Easily assembled
- Delivered in a flat package

●  
 4 Kg / 8.8 lbs

 4.5 Kg / 10 lbs  
 445 x 45 x 12H cm / 18" x 18" x 5"H