

COLLECTION

BATEA L



The largest member of the Batea family has a large storage space that opens up when you slide back the table top. A coffee table that combines tradition and modernity, adapting to the dynamics of each space, keeping everything in order.

With clean, rounded lines, this piece comprises a wood veneer tabletop and solid wood legs that can be easily attached to a lacquered metal structure.

Available in oak and black and white lacquered metal finishes.

La mayor de la familia Batea, cuenta con un gran espacio de almacenaje que se descubre al deslizar su base. Una mesa que fusiona tradición y modernidad, adaptándose al dinamismo de cada espacio, facilitando su orden.

De líneas limpias y redondeadas, se compone de base y cuatro patas de madera maciza, que se montan fácilmente sobre una estructura de metal lacado y madera.

Disponible en madera de roble y acabados metal lacado negro y blanco.

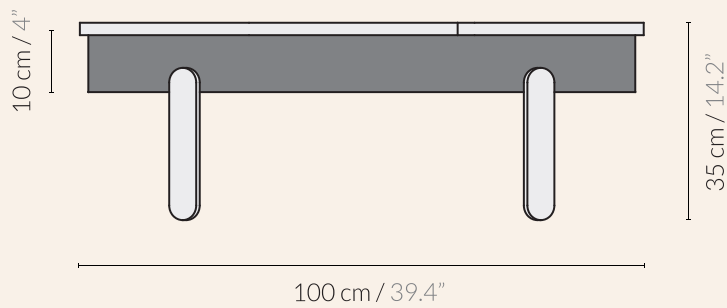
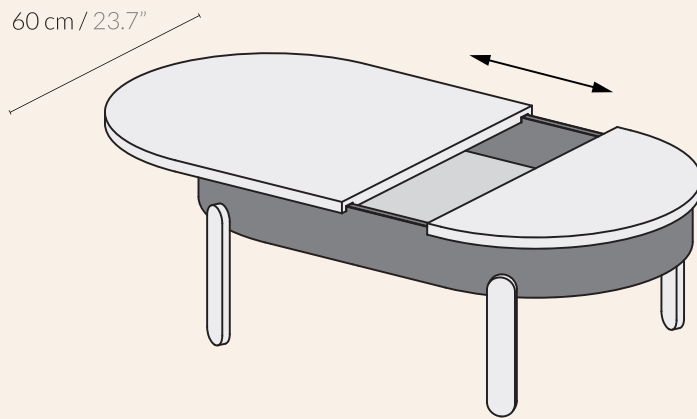






TECHNICAL SPECIFICATIONS



BATEA L



- BA-L-WB Large Walnut-Black Batea coffee table
- BA-L-OW Large Oak-White Batea coffee table
- BA-L-OB Large Oak-Black Batea coffee table



- Sliding lid made of ash/ oak/ walnut veneer
- Legs made of solid ash/ oak/ walnut
- Structure in lacquered steel
- Matte finish
- Clean with damp cloth
- Easily assembled
- Delivered in a flat package

-  14 Kg / 30.8 lbs
-  15 Kg / 33 lbs
- 105 x 65 x 15H cm / 41.3" x 25.6" x 6"H