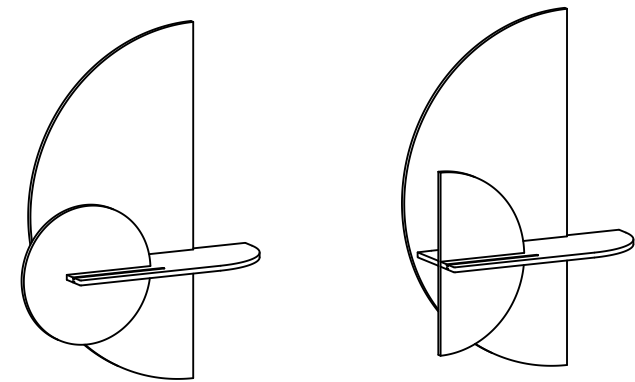
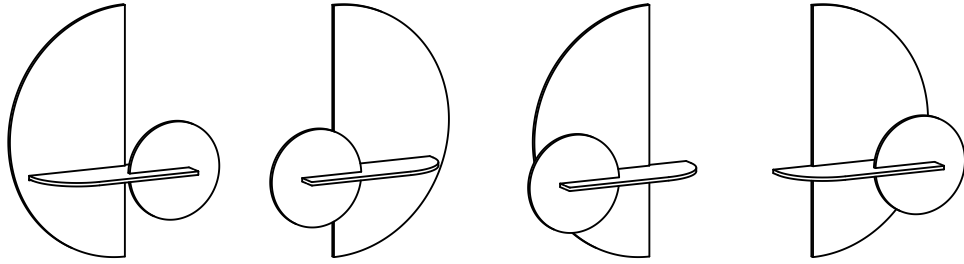


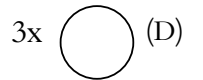
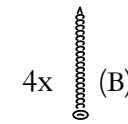
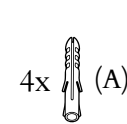
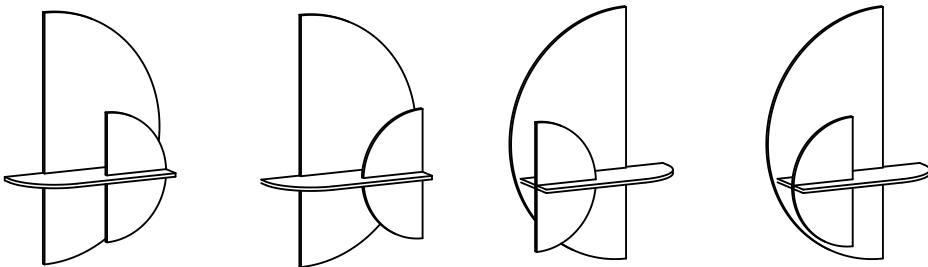
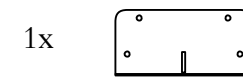
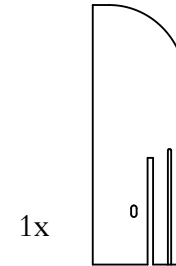
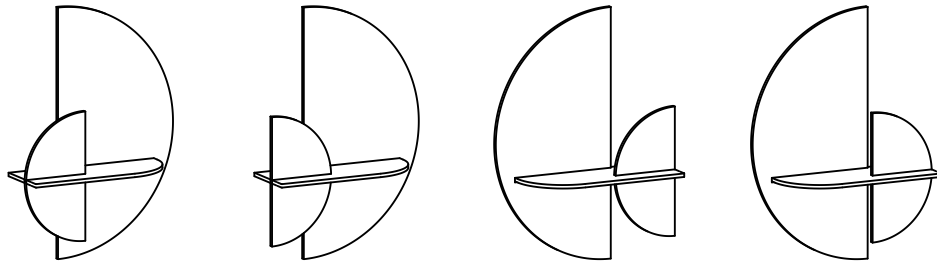
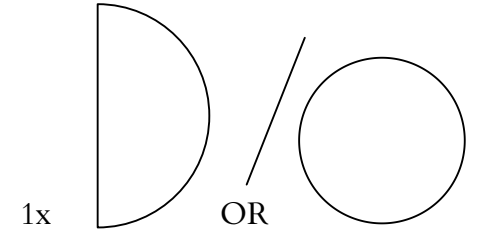
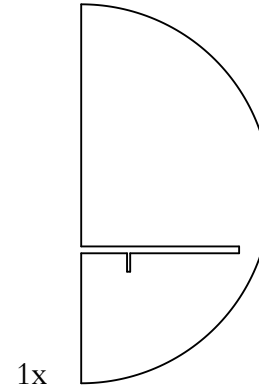
Alba Wall shelf

ASSEMBLY INSTRUCTIONS





4 DIFFERENT POSSIBILITIES



8 DIFFERENT POSSIBILITIES



We recommend two people for the installation

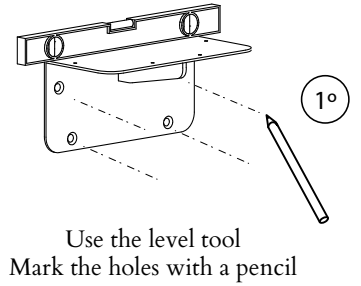


You will need a manual drill for the wall holes

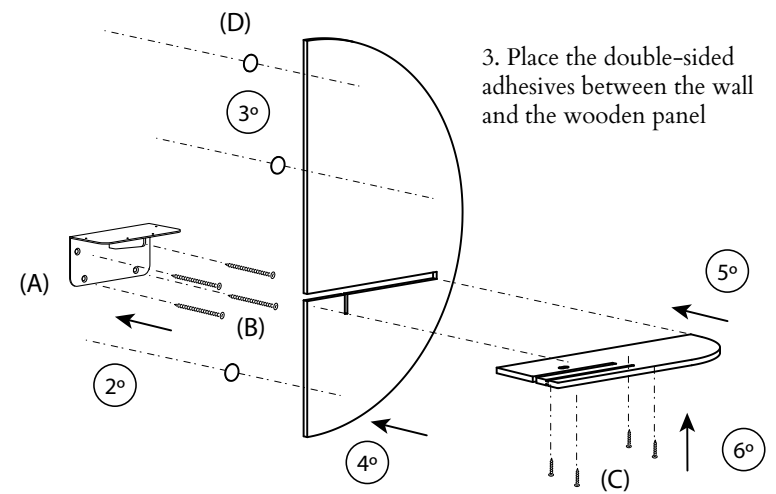


The drill bit required is \varnothing 6 mm or 15/64" Depth of the hole in wall: 50 mm / 1.96"

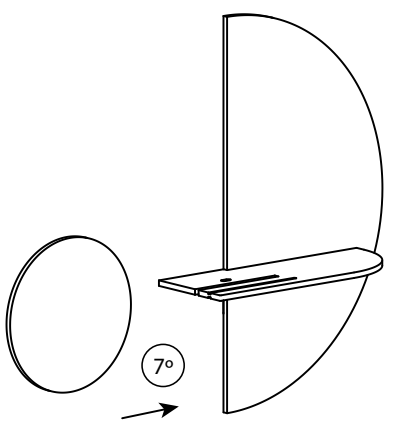
For the hole to be the exact depth, measure 50mm/1.96" on the drill bit and place tape around it to mark the distance. Stop drilling when it reaches that depth.



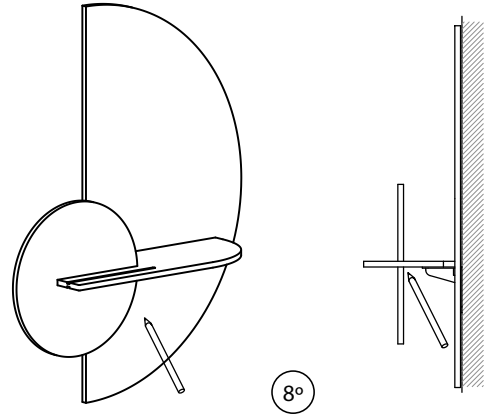
Use the level tool
Mark the holes with a pencil



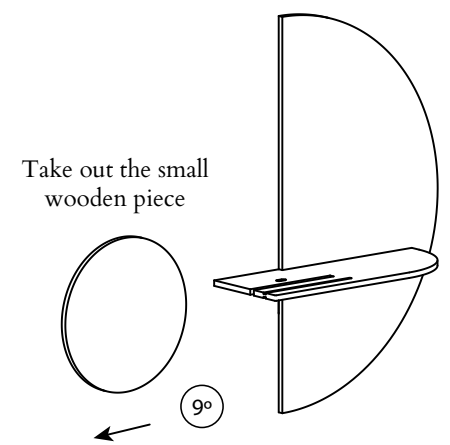
3. Place the double-sided adhesives between the wall and the wooden panel



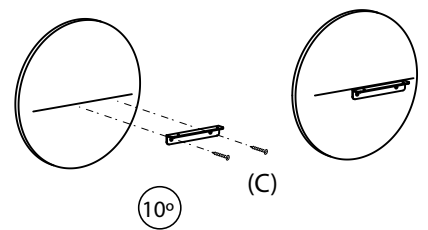
Introduce the small wooden piece



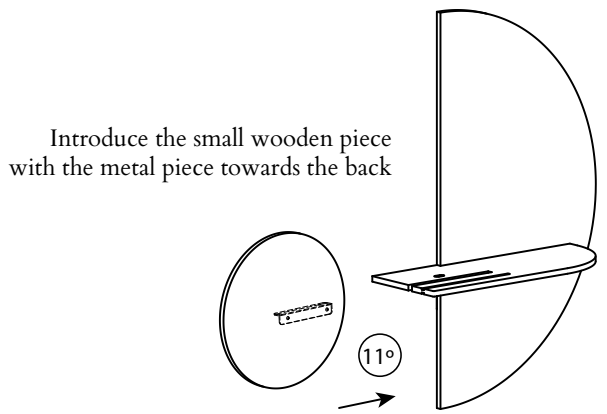
Make a line at the intersection of the small piece of wood on the back



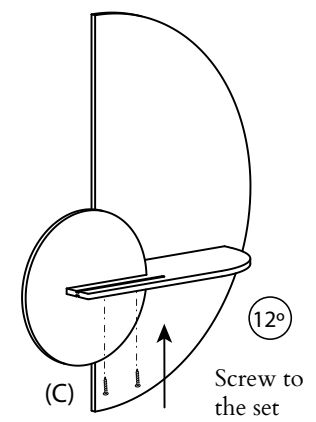
Take out the small wooden piece



Screw on the L-shaped metal piece using the marked line



Introduce the small wooden piece with the metal piece towards the back



Screw to the set