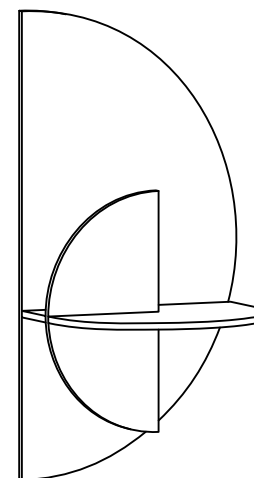
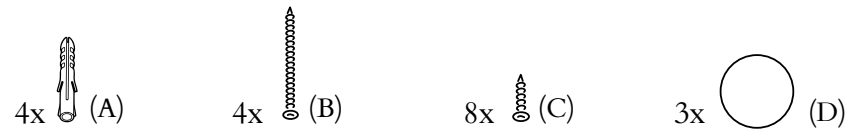
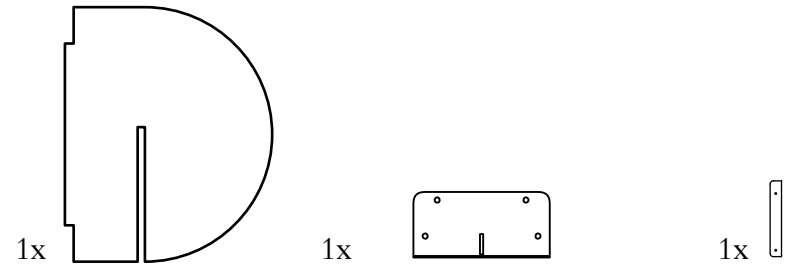
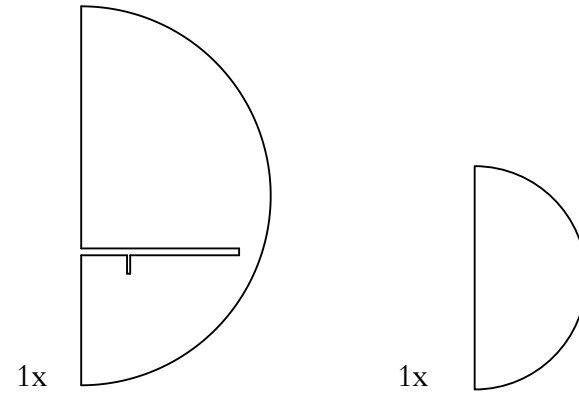
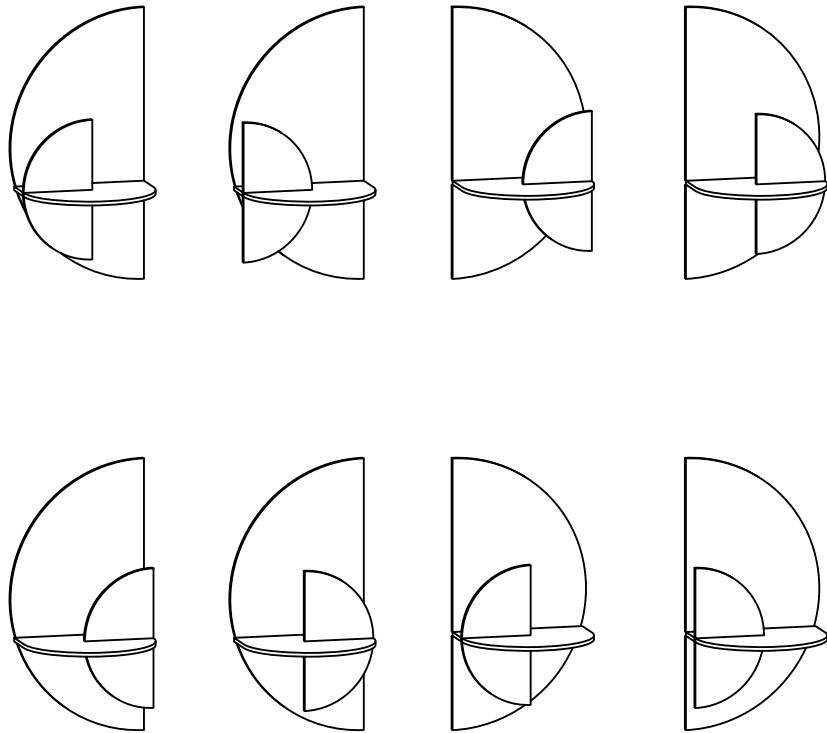



Alba Slim nightstand


ASSEMBLY INSTRUCTIONS




8 DIFFERENT POSSIBILITIES

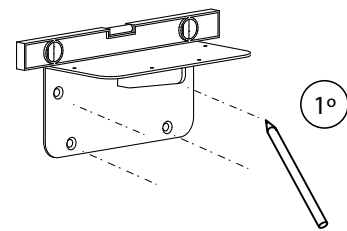


 We recommend two people for the installation

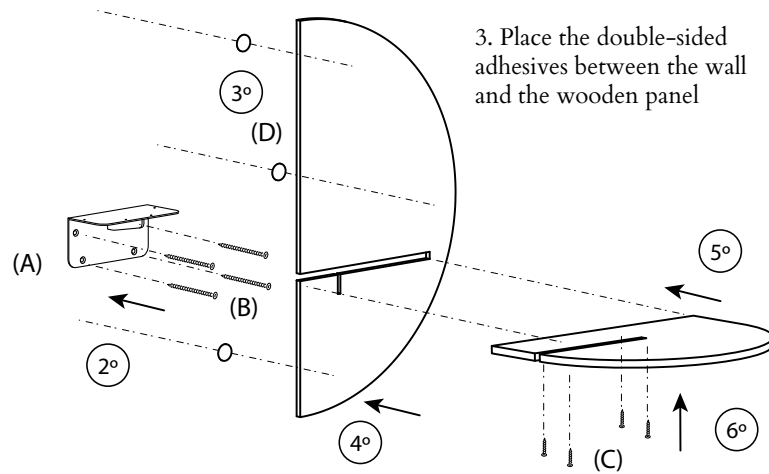
 You will need a manual drill for the wall holes

 The drill bit required is \varnothing 6 mm or 15/64"
Depth of the hole in wall: 50 mm / 1.96"

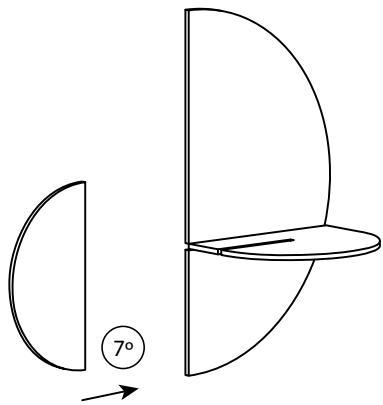
For the hole to be the exact depth, measure 50mm/1.96" on the drill bit and place tape around it to mark the distance. Stop drilling when it reaches that depth.



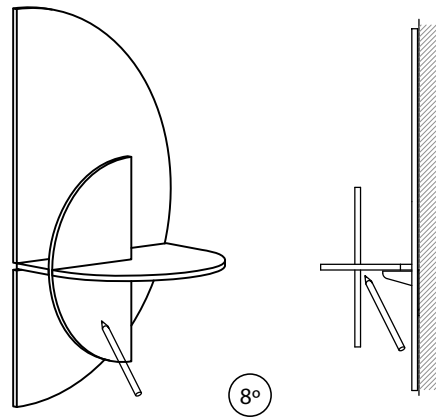
Use the level tool
Mark the holes with a pencil



3. Place the double-sided
adhesives between the wall
and the wooden panel

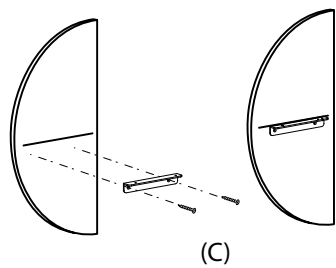
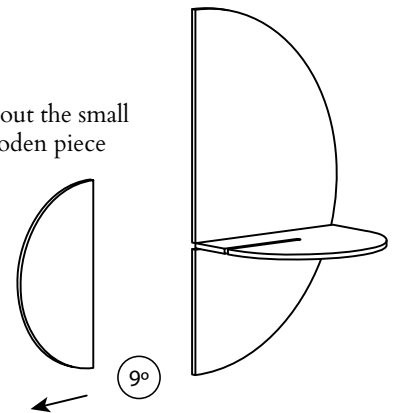


Introduce the small
wooden piece



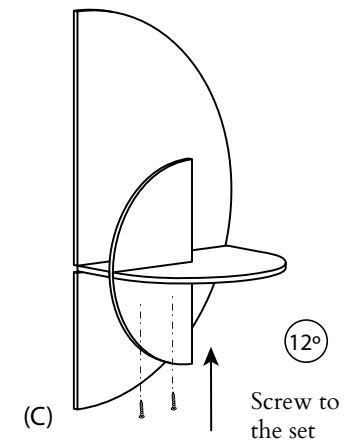
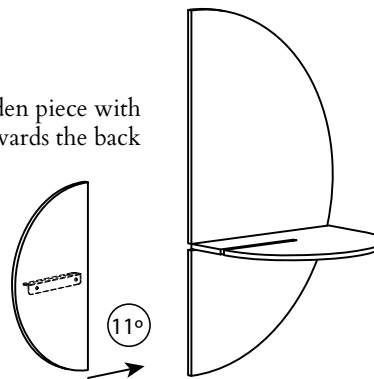
Make a line at the intersection of the
small piece of wood on the back

Take out the small
wooden piece



Screw on the L-shaped metal
piece using the marked line

Introduce the small wooden piece with
the metal piece towards the back



Screw to the set