

# Alba Headboard

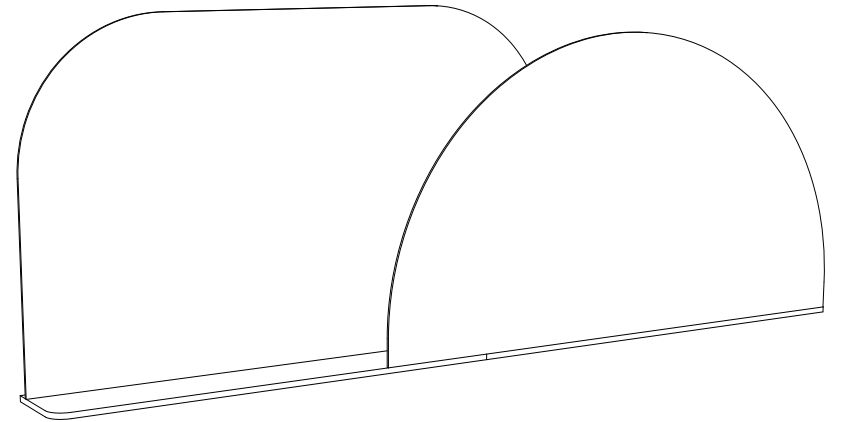
## *ASSEMBLY INSTRUCTIONS*

140cm / 55in

150cm / 59in

160cm / in

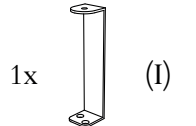
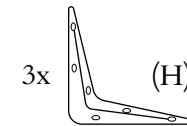
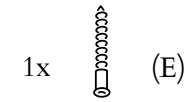
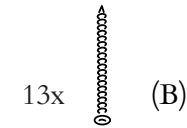
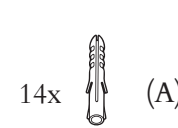
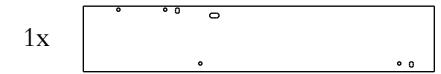
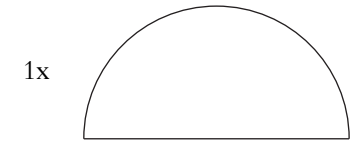
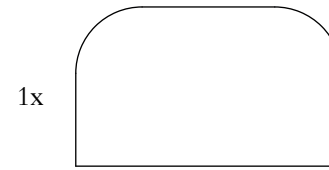
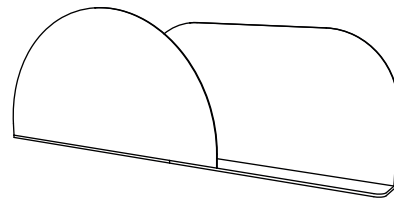
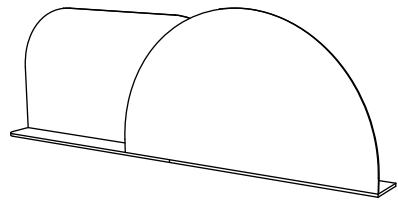
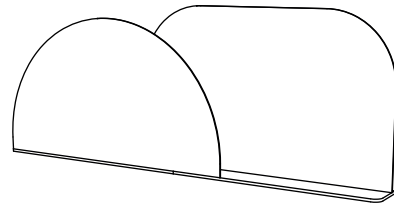
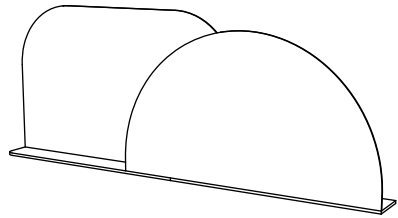
180cm / 71in





**Woodendot**


LIVE DESIGN

# 4 DIFFERENT POSSIBILITIES



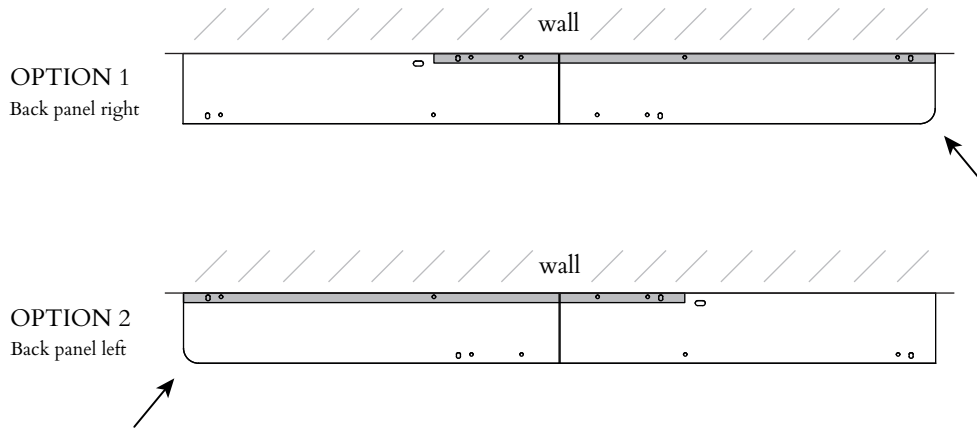
 We recommend two people for the installation

 You will need a manual drill for the wall holes

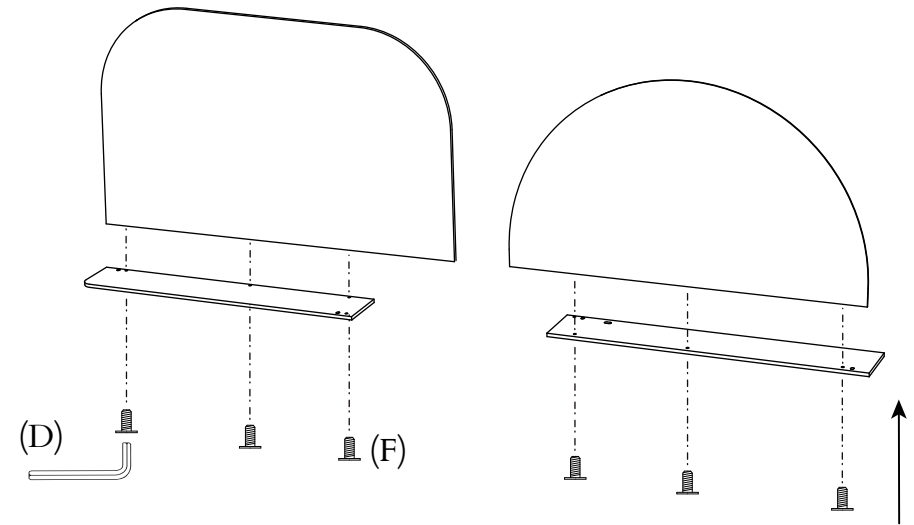
 The drill bit required is  $\varnothing$  6mm or 15/64"  
Depth of the hole in wall: 50 mm/1.96"

For the hole to be the exact depth, measure 50mm/1.96" on the drill bit and place tape around it to mark the distance. Stop drilling when it reaches that depth.

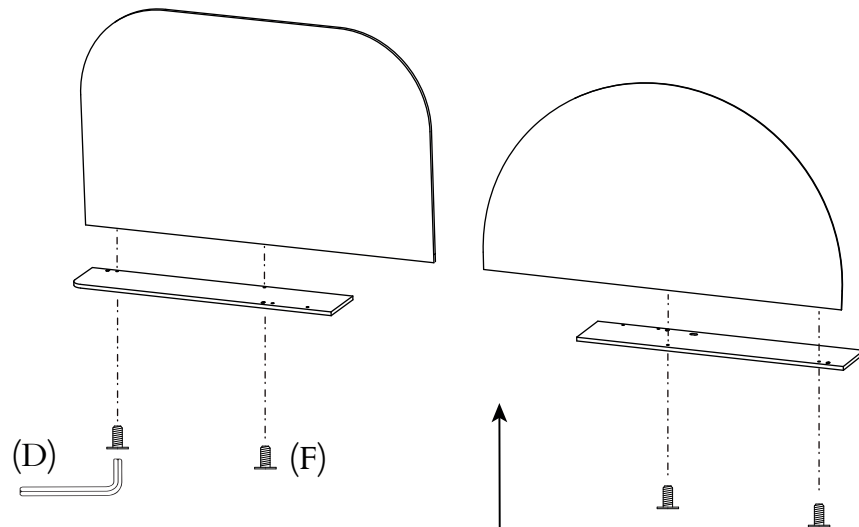
- 1 Place the back panel on the right or left side depending on what you prefer (option 1 or 2 below). Later on, the back panel will be attached to the shelf which will have the curved corner facing forward.



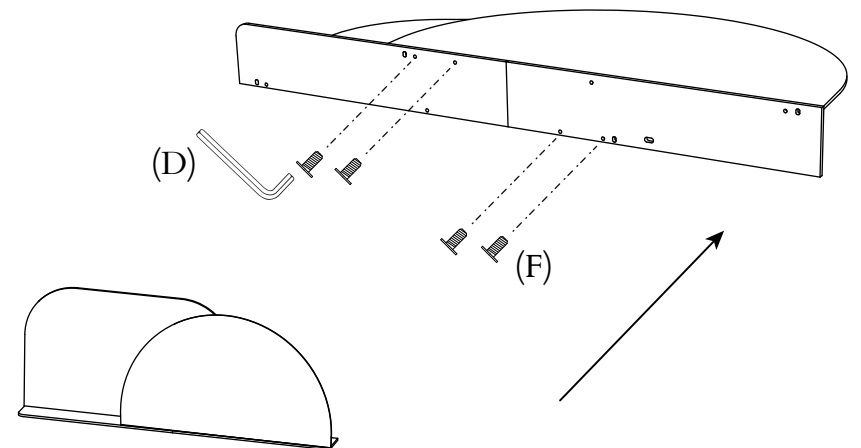
- 2b For Alba Headboard XL (180 cm/71 in)  
Attach each panel to its corresponding shelf, using x3 screws.



- 2a For Alba Headboard S (140 cm/55 in), M (150 cm/59 in) and L (160 cm/63 in)  
Attach each panel to its corresponding shelf, using x2 screws for each panel.



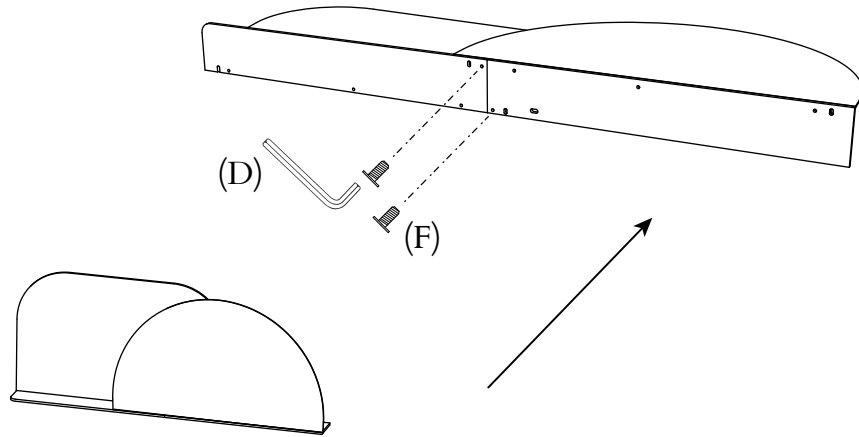
- 3a For Alba Headboard S (140 cm/55 in), M (150 cm/59 in) and L (160 cm/63 in)  
Now we will join the 2 shelves (that we have attached to their respective panels on step 2a) together. Screw the back panel's shelf to the front panel's shelf using x4 screws.



3b

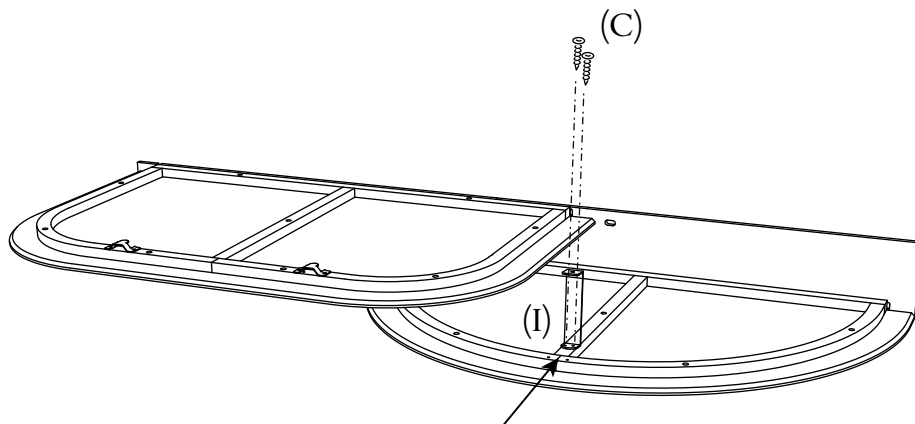
**For Alba Headboard XL (180 cm/71 in)**

Now we will join the 2 shelves (that we have attached to their respective panels on step 2b) together. Screw the back panel's shelf to the front panel's shelf using x2 screws.



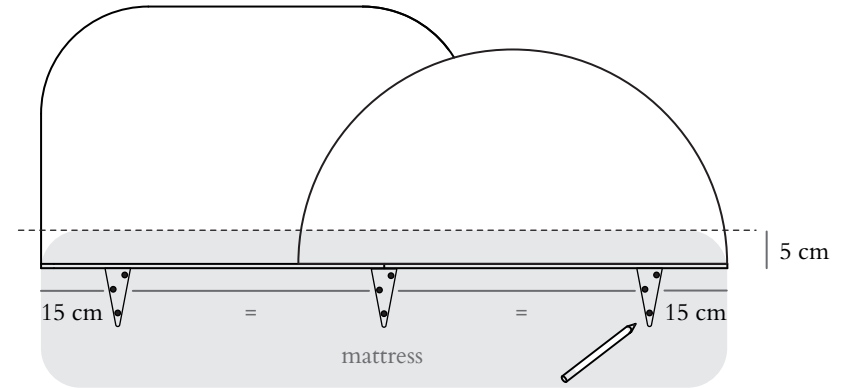
4

Screw the U-shaped bracket (I) to the front panel frame (x2 screws) on the center area (if you place it lower you won't be able to access the shelf storage below).



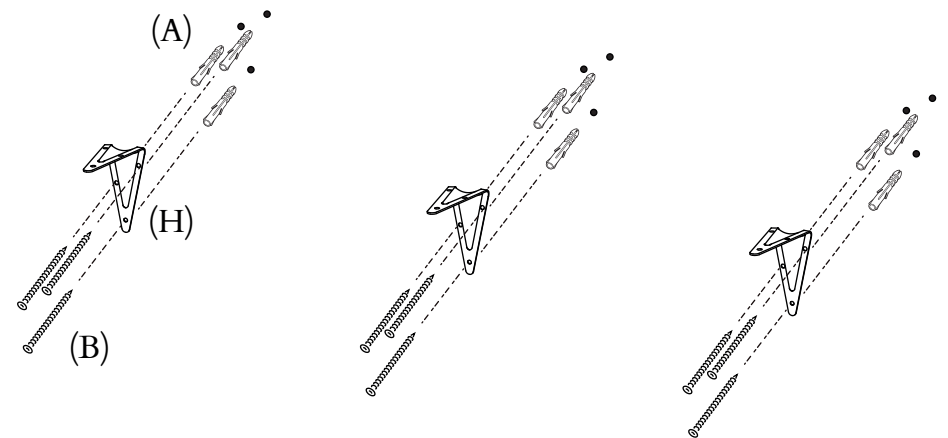
5

The angle brackets that support the headboard will be located about 5 cm below the mattress. From there, mark the screw holes (9 holes) of the angle brackets with a pencil 15 cm inward from each end, and mark the midpoint to center where the headboard will go.



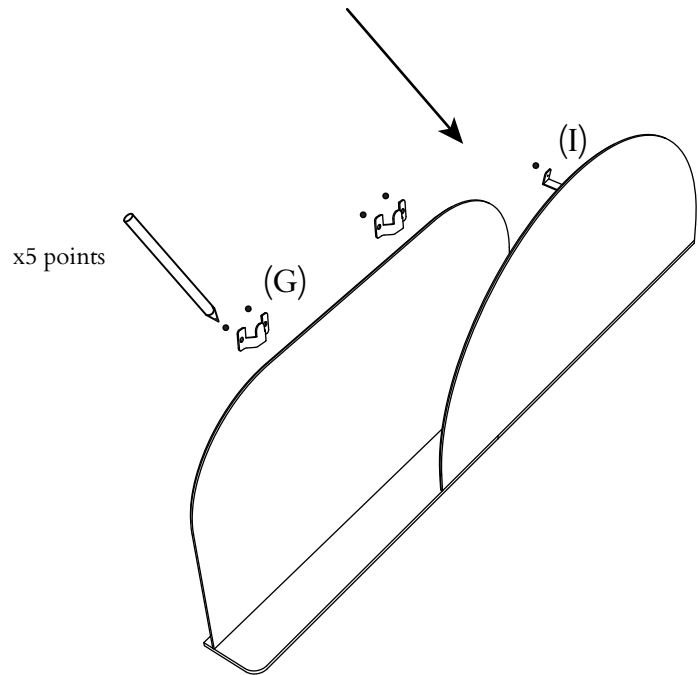
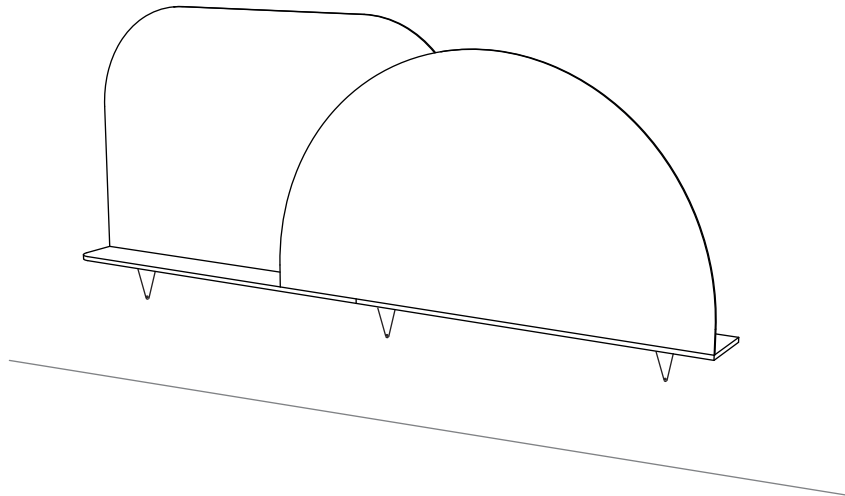
6

Screw the angle brackets (H) to the wall (x9 wall plugs and x9 screws).



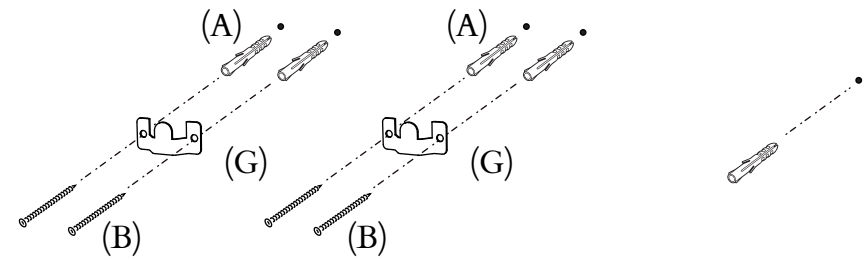
7

Place the headboard on top of the angle brackets so that it is centered. Mark with a pencil where to place the screws for the wall fitting (G) and the U-shaped bracket (I) already attached to the front panel frame.



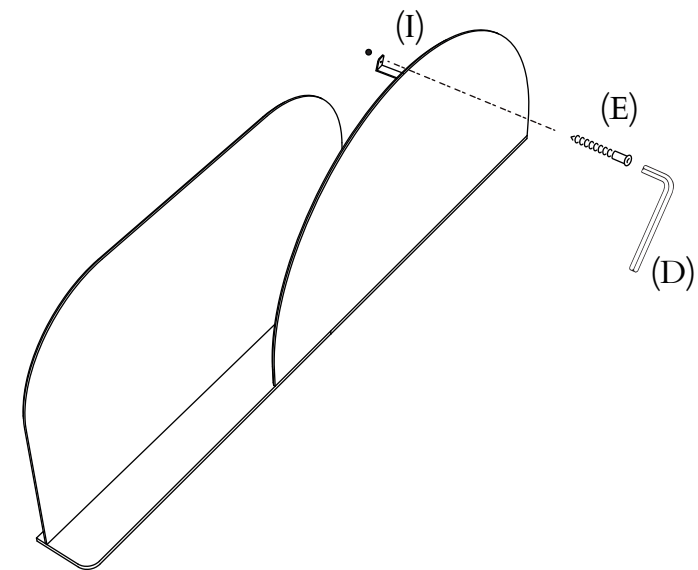
8

Put the headboard on the floor to make the 5 holes marked in the previous step and screw the fitting to the wall (x5 wall plugs and x4 screws).



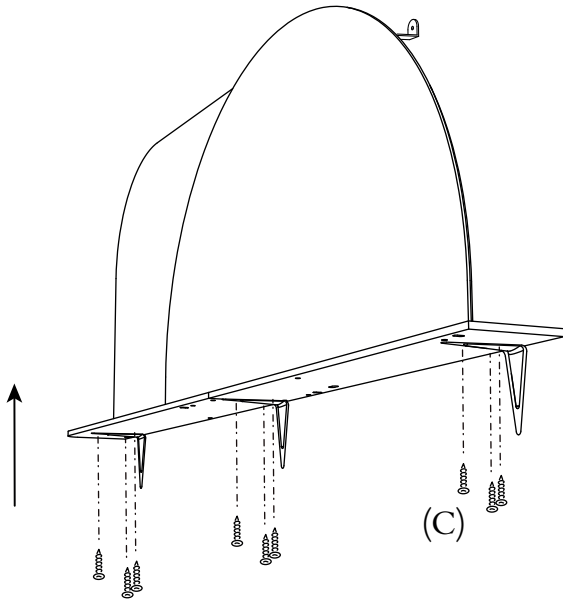
9

Put the headboard back on top of the angle brackets and hook it to the wall fittings, then screw the U-shaped bracket (I) to the wall hole made in the previous step (x1 screws) with the allen wrench (D).



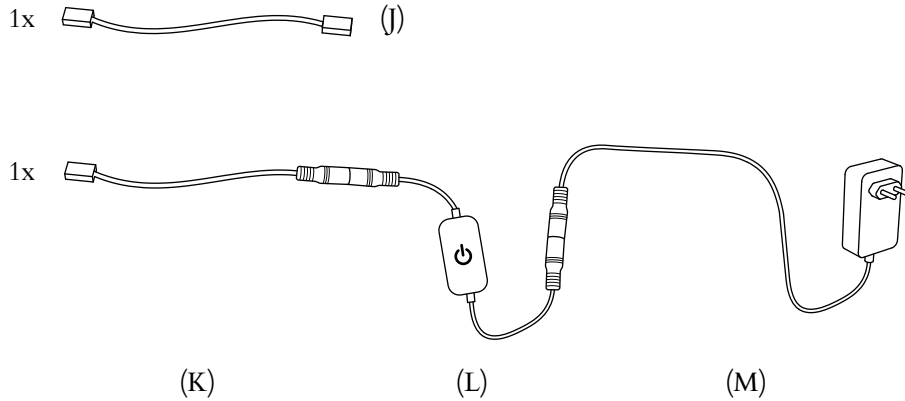
10

Screw the headboard's shelves to the angle brackets (x9 screws).

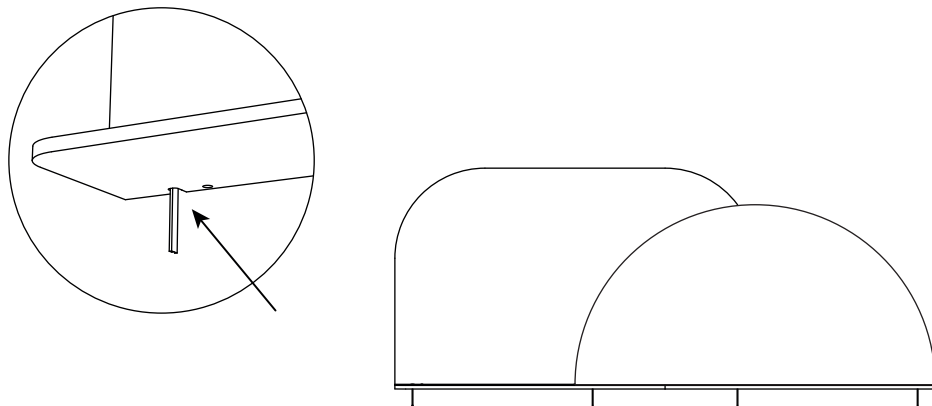


# ANNEX: LIGHTING INSTALLATION

*Important: Instructions on this annex only apply if you have purchased the Alba headboard with add-on light.*



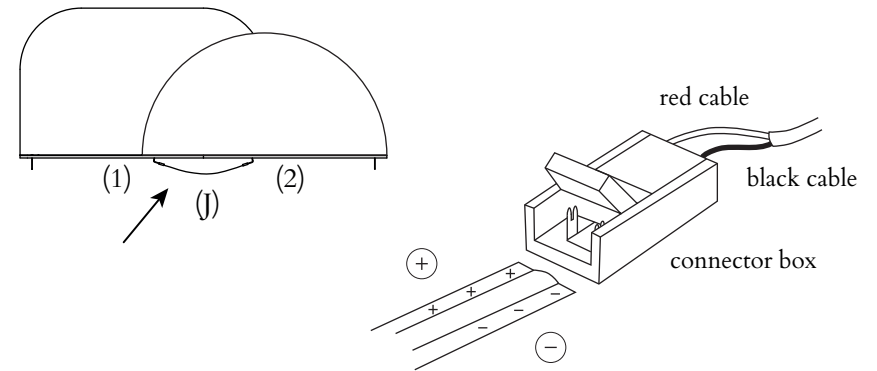
- 1 As you may have noticed, there is a LED strip attached to the frame of each panel, one on the front panel and another on the back one. The ends of the strips should pass under the shelves through the holes provided for this purpose.



- 2 Now we will link the LED strips of the back and front panels together using piece J. On piece J, flip open the top part of one of its connector boxes. Take the end of the front panel's LED strip (1) and place it inside the connector box you just opened.

Make sure the copper tips of the connector box touches the two contacts of the light strip and that the + sign of the LED strip corresponds with the side where the red cable is in the connector box.

Finally, close the top of the connector box. Repeat these steps for the back panel's LED strip (2).



- 3 You will have received a pre-assembled connection cable (K+L+M) that allows you to connect the LEDs to the wall socket. Connect the end of the LED strip of your back panel to the beginning of the cable (K) using the connector box. Do this in the same way you did in the previous step.

Lastly, connect the end of the cable to the wall socket. This lighting system includes a EU plug, an adapter is not included so please find one if needed. Use the dimmer to turn the light on/off and to regulate its intensity.

