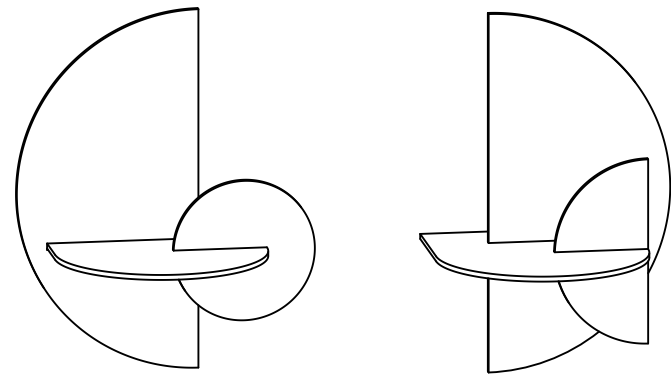


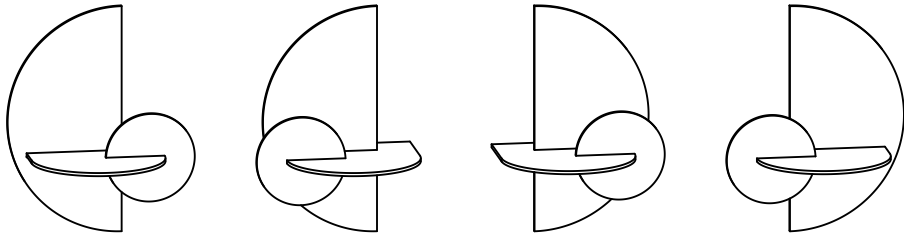
Alba Floating nightstand

ASSEMBLY INSTRUCTIONS

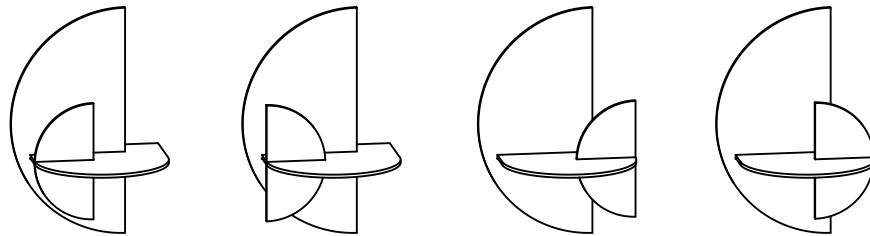
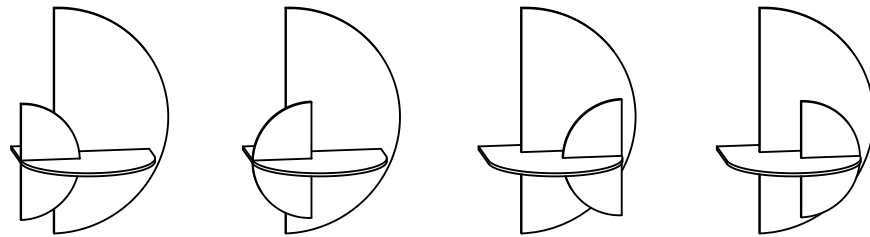
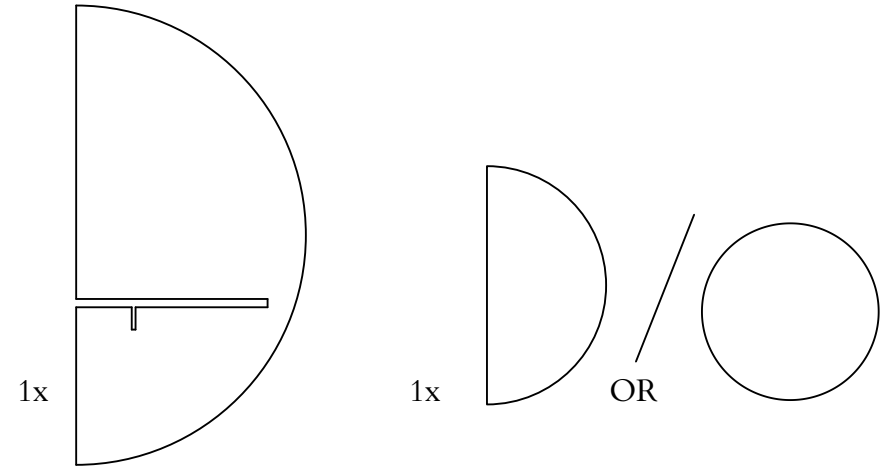


Woodendot

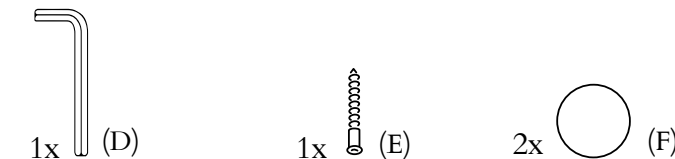
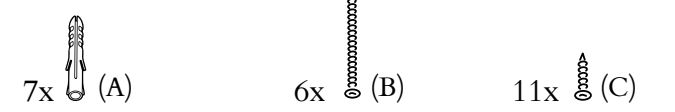
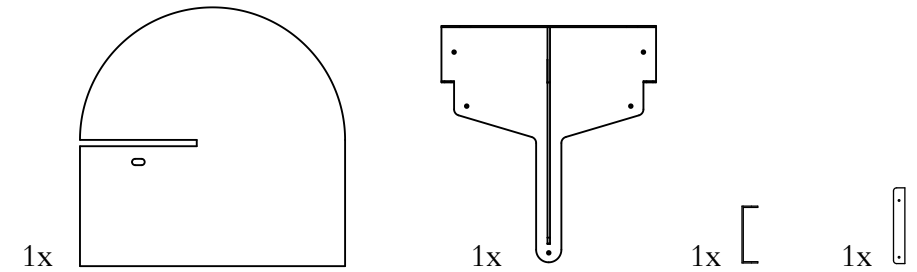
LIVE DESIGN



4 DIFFERENT POSSIBILITIES



8 DIFFERENT POSSIBILITIES



We recommend two people for the installation

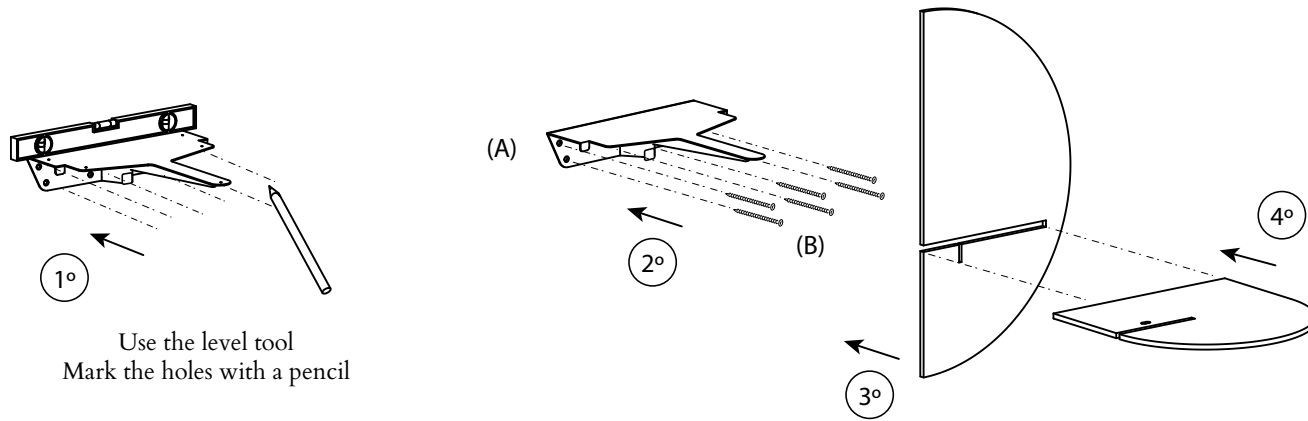


You will need a manual drill for the wall holes

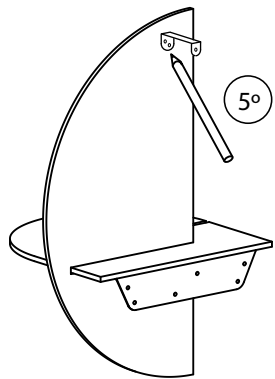


The drill bit required is \varnothing 6 mm or 15/64" Depth of the hole in wall: 50 mm / 1.96"

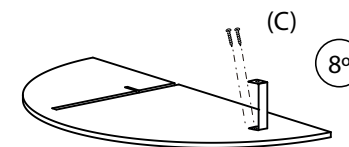
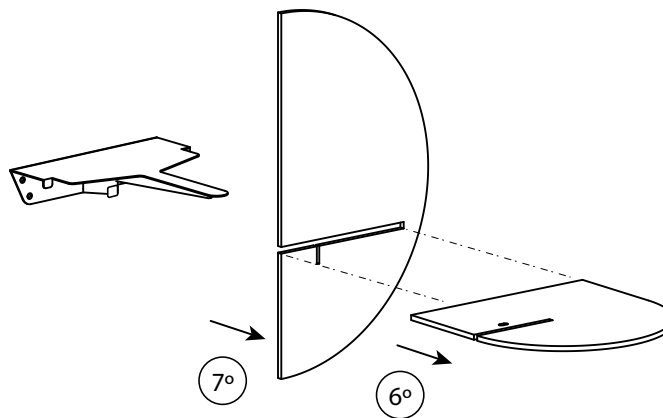
For the hole to be the exact depth, measure 50mm/1.96" on the drill bit and place tape around it to mark the distance. Stop drilling when it reaches that depth.



Use the level tool
Mark the holes with a pencil

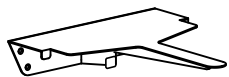


Place the "U" piece between the
wall and the back panel.
Mark the three holes with a pencil

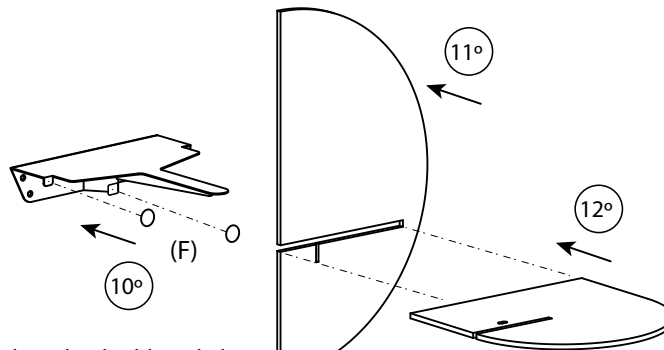


Screw the "U" piece to the back
panel (x2 screws)

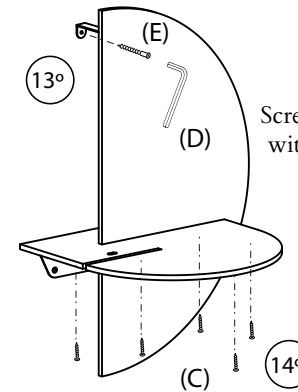
9° (A)



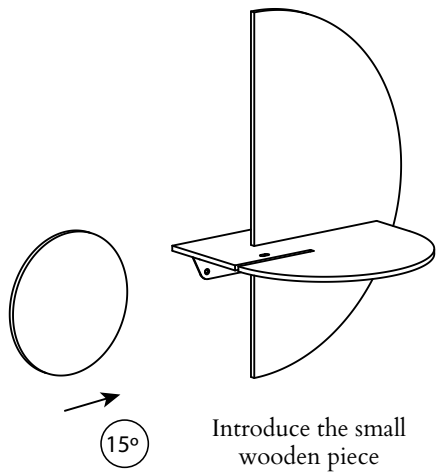
Make the hole in the wall



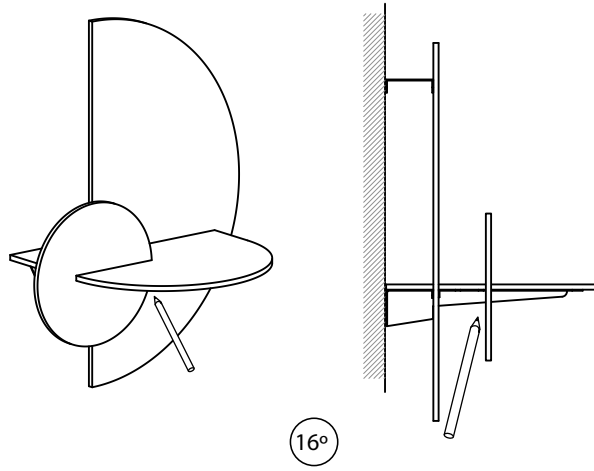
Place the double-sided
adhesives (x2) on the metal flap



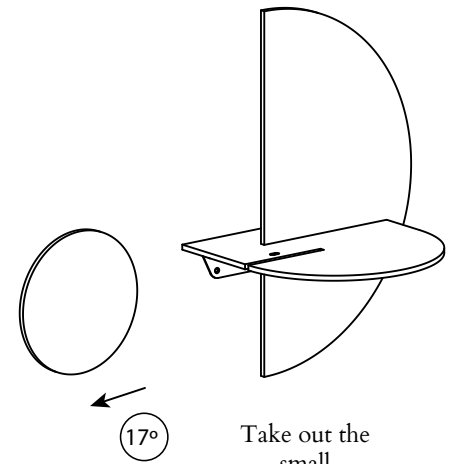
Screw the "U" piece to the wall
with the help of the Allen key.
Screw the table cover



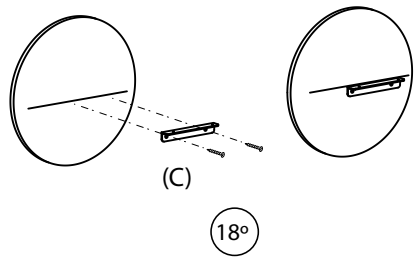
15° Introduce the small wooden piece



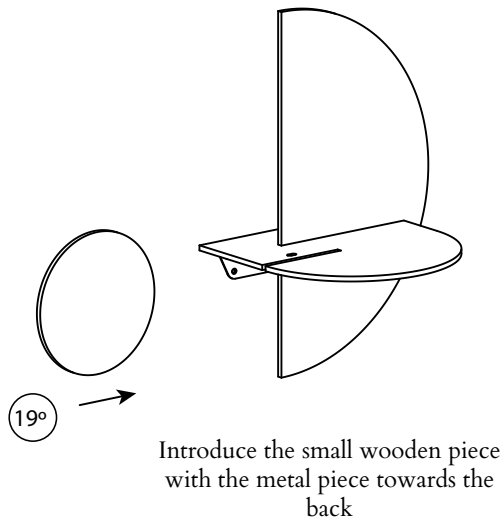
16° Make a line at the intersection of the small piece of wood on the back



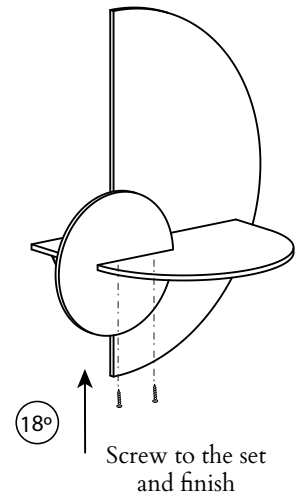
17° Take out the small wooden piece



(C) 18° Screw on the L-shaped metal piece using the marked line



19° Introduce the small wooden piece with the metal piece towards the back



18° Screw to the set and finish