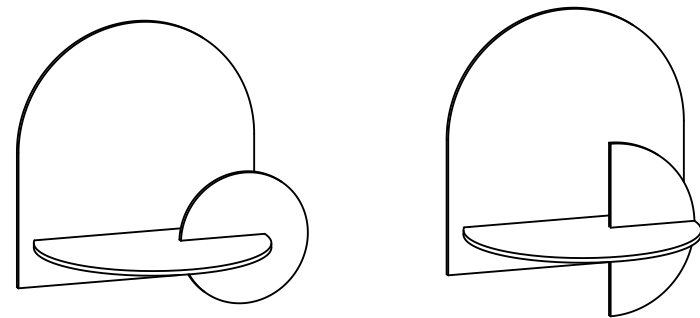


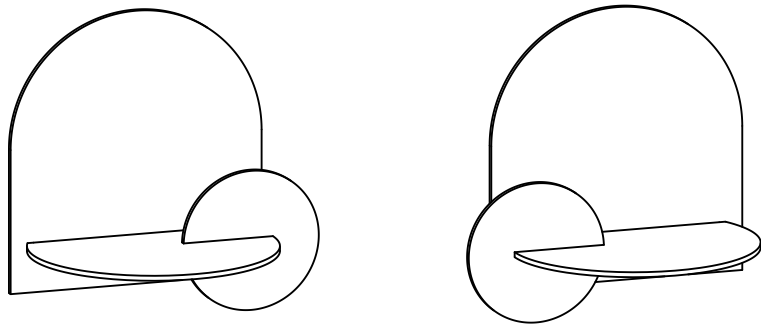
Alba Floating nightstand

ASSEMBLY INSTRUCTIONS

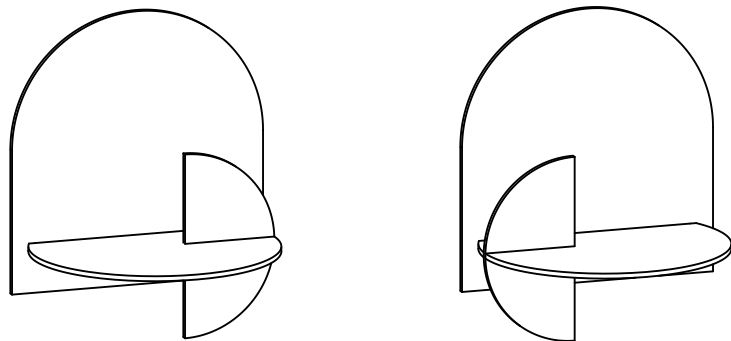
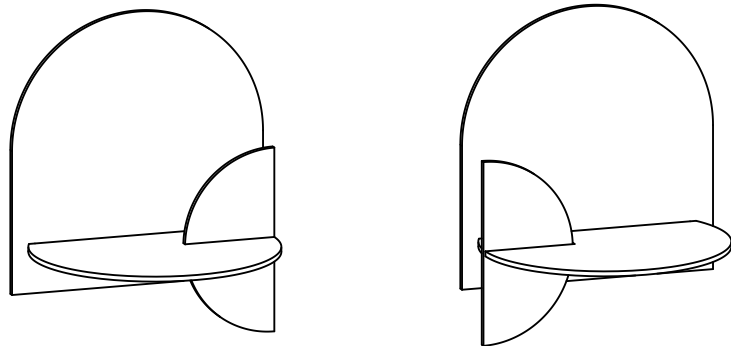
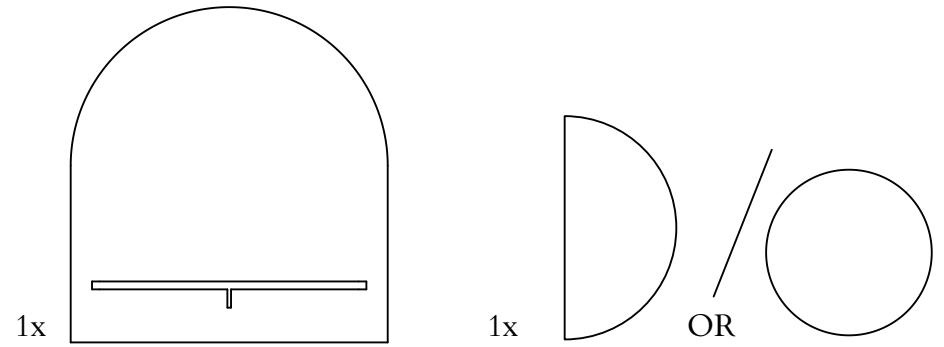


Woodendot

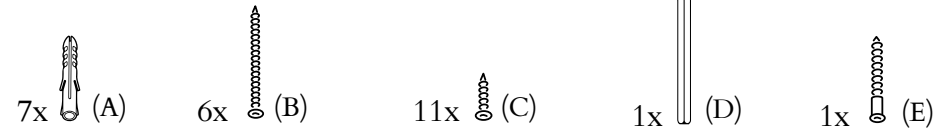
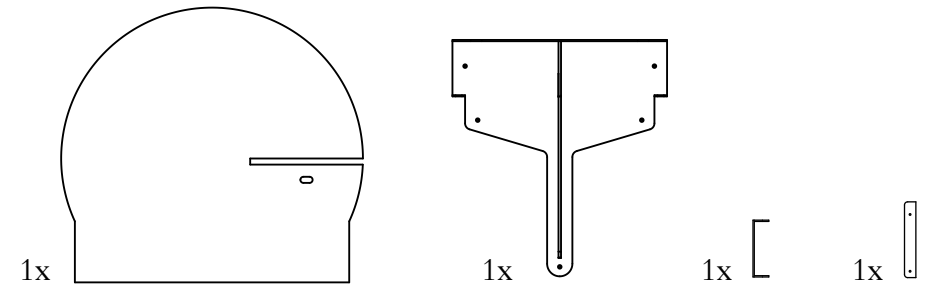
LIVE DESIGN



2 DIFFERENT POSSIBILITIES



4 DIFFERENT POSSIBILITIES



We recommend two people for the installation

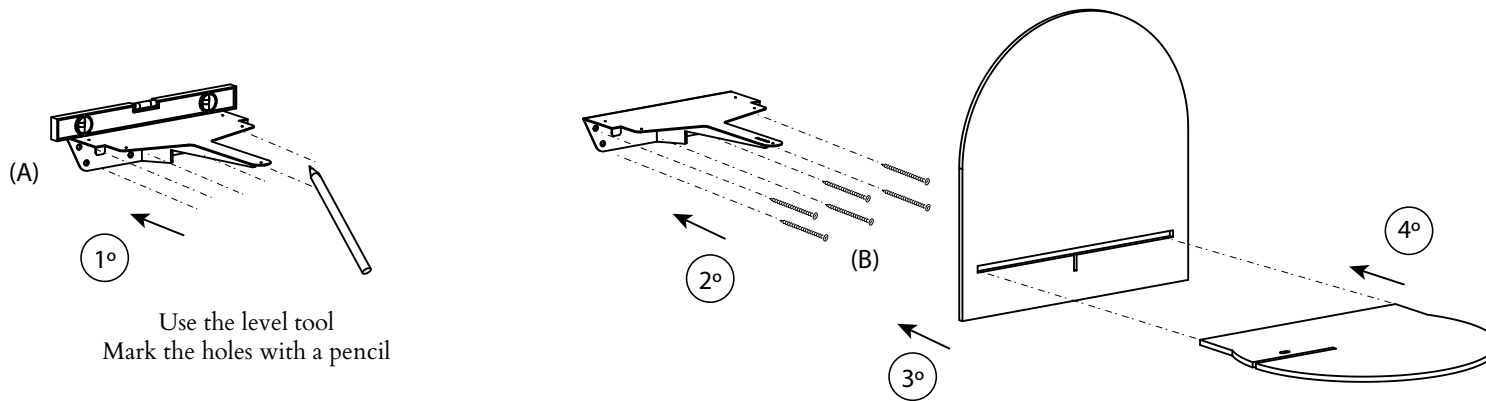


You will need a manual drill for the wall holes

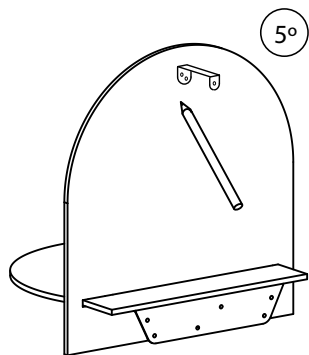


The drill bit required is \varnothing 6 mm or 15/64" Depth of the hole in wall: 50 mm / 1.96"

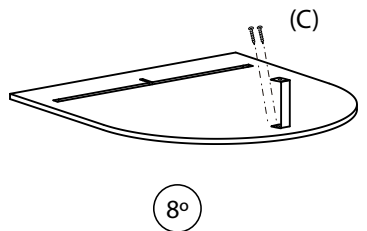
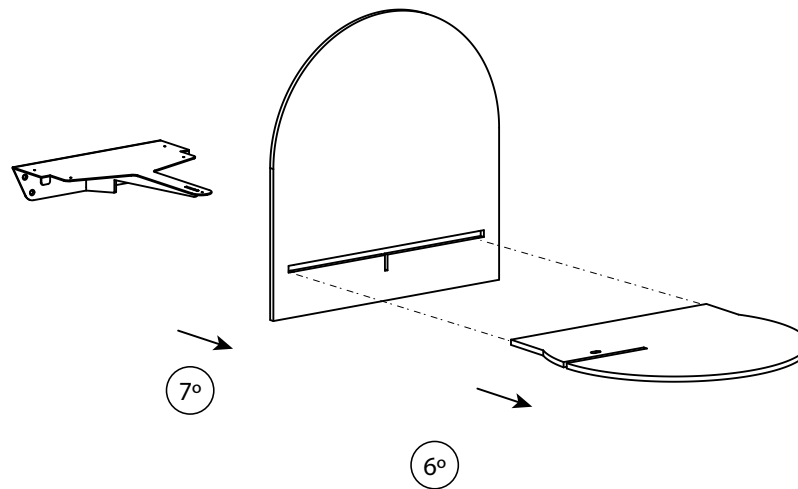
For the hole to be the exact depth, measure 50mm/1.96" on the drill bit and place tape around it to mark the distance. Stop drilling when it reaches that depth.



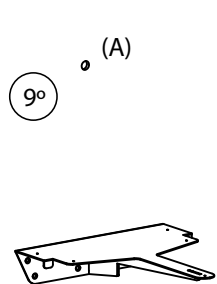
Use the level tool
Mark the holes with a pencil



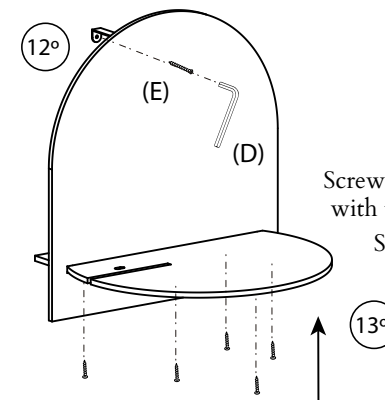
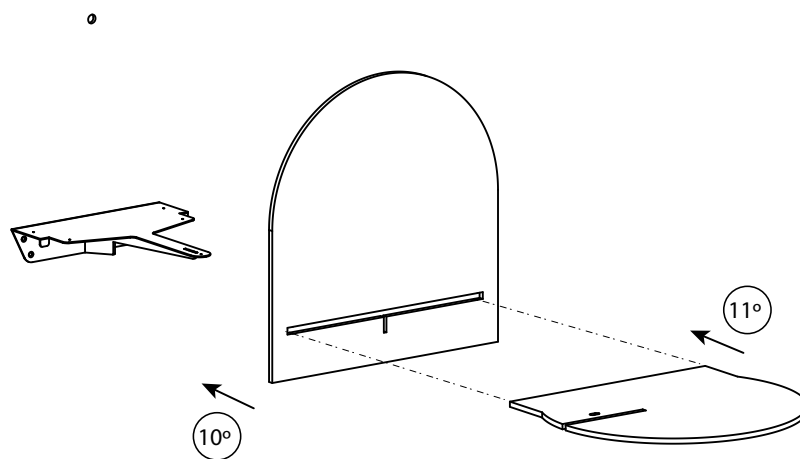
Place the "U" piece between the
wall and the back panel.
Mark the three holes with a pencil



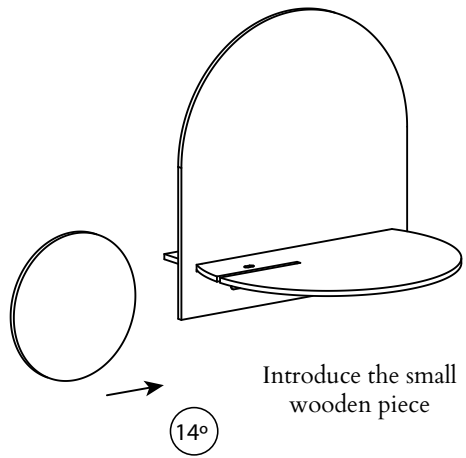
Screw the "U" piece to the back
panel (x2 screws)



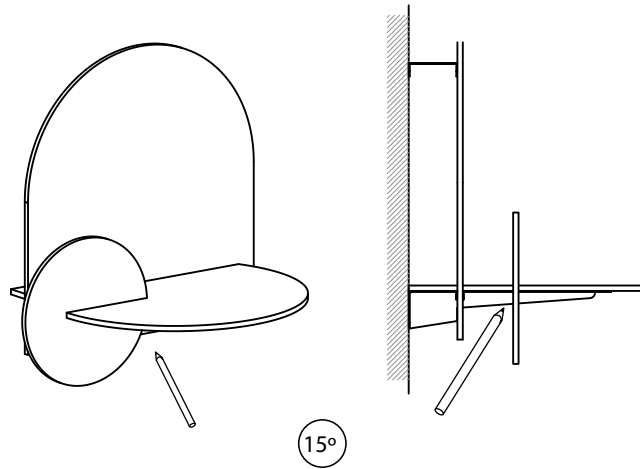
Make the hole in the wall



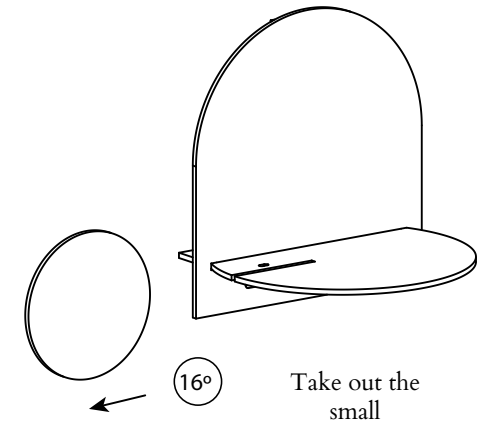
Screw the "U" piece to the wall
with the help of the Allen key.
Screw the table cover



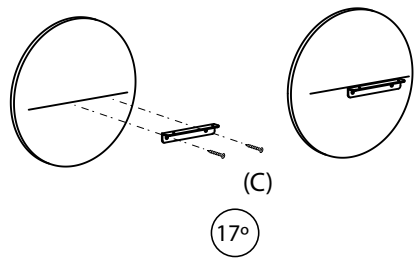
Introduce the small wooden piece



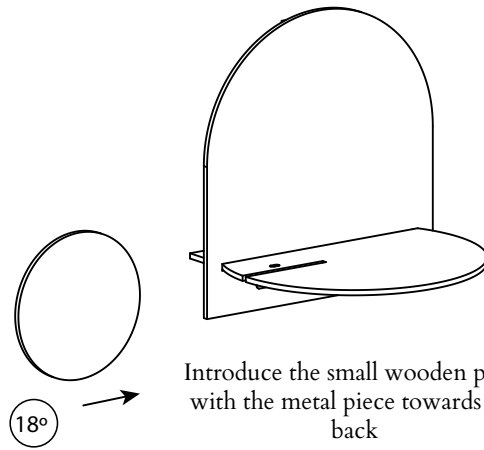
Make a line at the intersection of the small piece of wood on the back



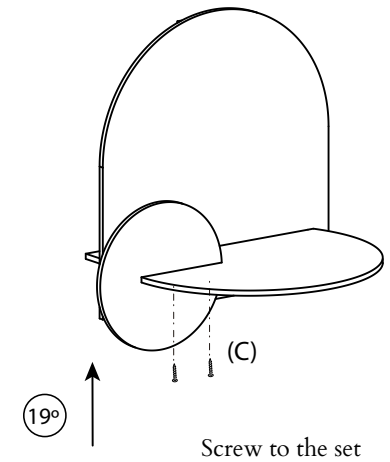
Take out the small wooden piece



Screw on the L-shaped metal piece using the marked line



Introduce the small wooden piece with the metal piece towards the back



Screw to the set