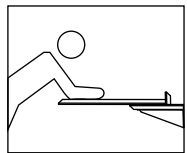
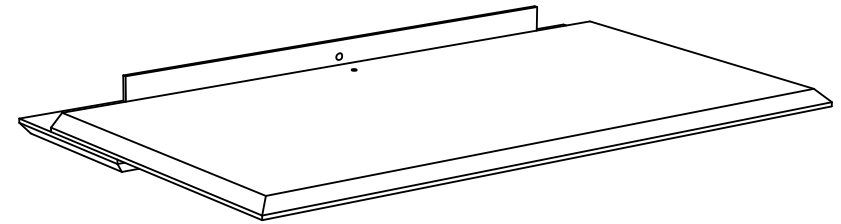
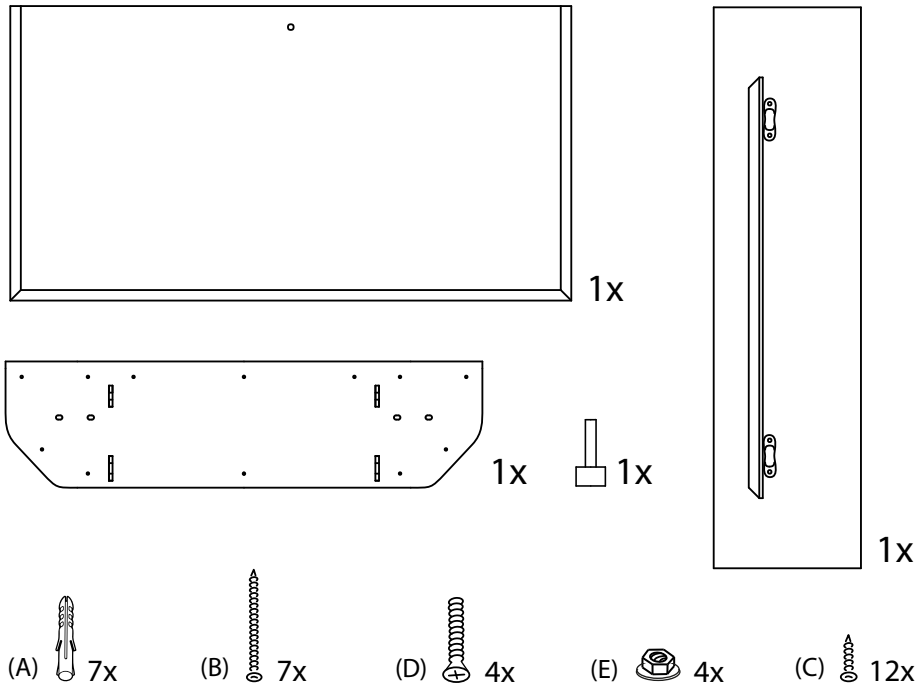
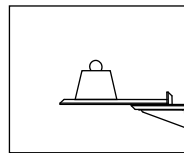


Alada

ASSEMBLY INSTRUCTIONS



Warning!
Do not lean on desk.



Warning!
Max Weight: 20 kg



We recommend two people for the installation



You will need a manual drill for the wall holes



The drill bit required is \varnothing 6 mm or 15/64"
Depth of the hole in wall: 50 mm / 1.96"

For the hole to be the exact depth, measure 50mm/1.96" on the drill bit and place tape around it to mark the distance.
Stop drilling when it reaches that depth.



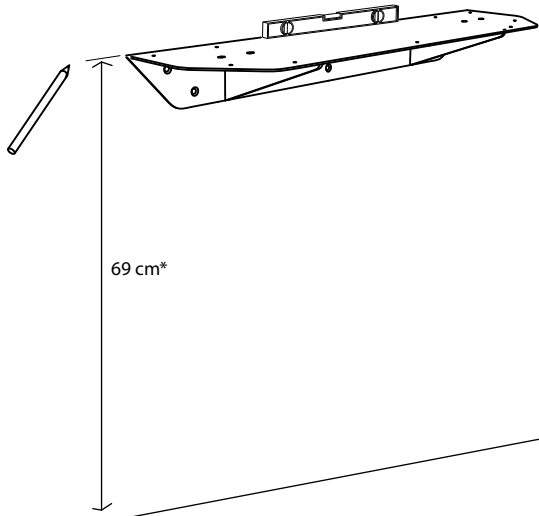
Scan for more languages

Woodendot

LIVE DESIGN

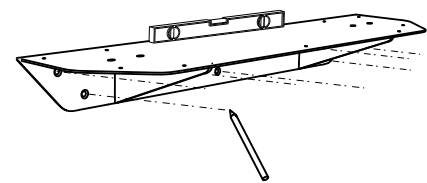
1°

Use the level tool
Mark the height with a pencil
Recommended height for standard seat height



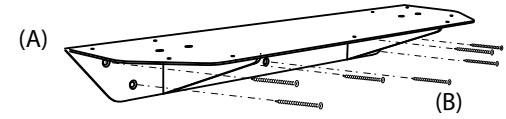
2°

Use the level tool
Mark the holes with a pencil



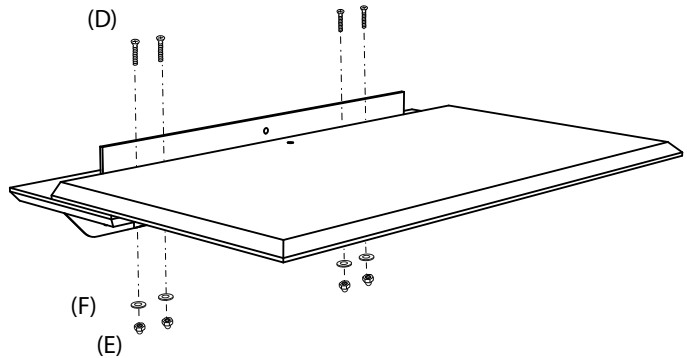
3°

Assemble the metal structure to
the wall using anchors and screws



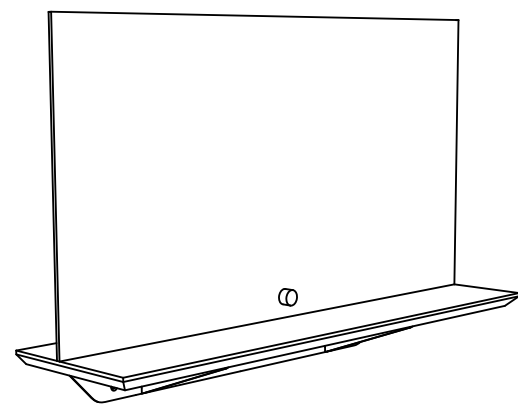
The stability of the Alada desk is highly dependent on the wall. On some fragile walls a chemical anchor (not included) can be used to reinforce the wall.

(D)



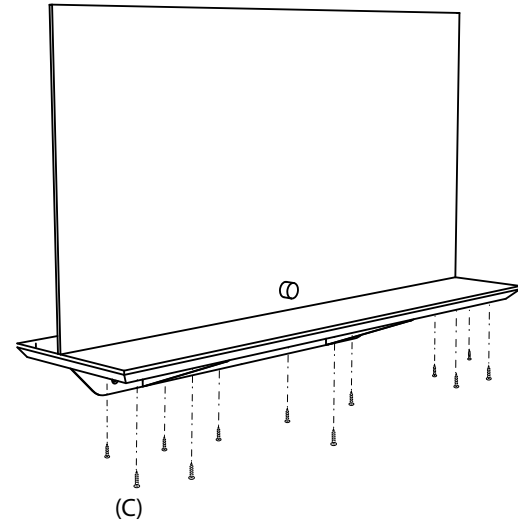
4°

Insert the four bolts through the hinge,
wood and metal structure
Tighten the nuts and washers in the bottom side



5°

Fold the desk and secure it with
the wooden stopper marked



6°

Secure the wooden desk
with the remaining screws