



Soundstop.co.uk

UK Soundproofing Specialists for the Home

Monarfloor Installation Guides

Part 1 - Monarfloor Deck 9, Deck 18 and Deck 22

Part 2 - Monarfloor Trideck

MONARFLOOR® ACOUSTIC DECK OVERLAY SYSTEMS: INSTALLATION INSTRUCTIONS

Before You Start

These instructions applicable to the installation of the following Monarfloor® Acoustic Deck Overlay Systems:

- **Monarfloor® Deck 9**
- **Monarfloor® Deck 18**
- **Monarfloor® Deck 22**

Tools & equipment required

- 1 litre of Monarfloor® Acoustics Adhesive for every 21.5m² of deck (approx).

Note: Adhesive should be applied in well vented rooms.

- 1 linear metre of Monarfloor® Flanking Band for every 1m² of flooring.
- Utility knife and straight edge.
- Joinery hand/power tools.

Check sub-floor is suitably prepared

- Ensure the surfaces are structurally sound, clean and dry.
- All internal partitions should be installed and built of the sub-floor.
- Kitchens and bathrooms should also be built of the sub-floor (see Monarfloor Generic Kitchen & Bathroom Detail Drawings).
- Ensure the correct mineral wool insulation has been packed tightly between the floor joists.

Care of materials

Materials must be kept in a dry storage area at all times.

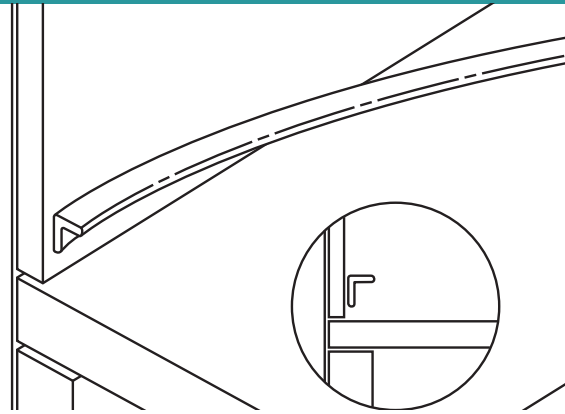
Working safely

Working on any building site can be a hazardous activity. Only suitable persons having appropriate competence, training and physical fitness should be allowed onsite.

Personal Protective Equipment (PPE) must be worn at all times.

Installing a Monarfloor® Acoustic Deck Overlay System

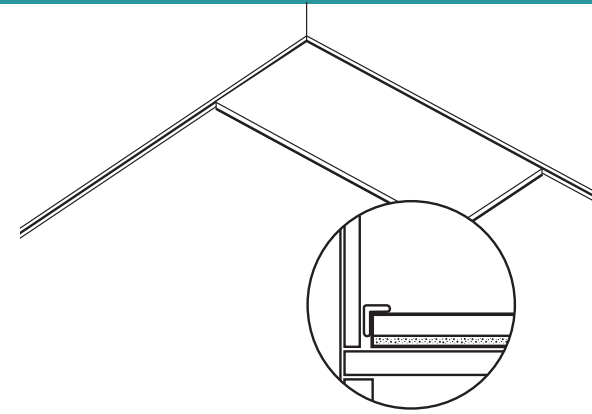
Step
1



Flank all the perimeter with Monarfloor® Flanking Band.

Note: For every 1m² of flooring you will need 1 linear metre of Monarfloor® Flanking Band.

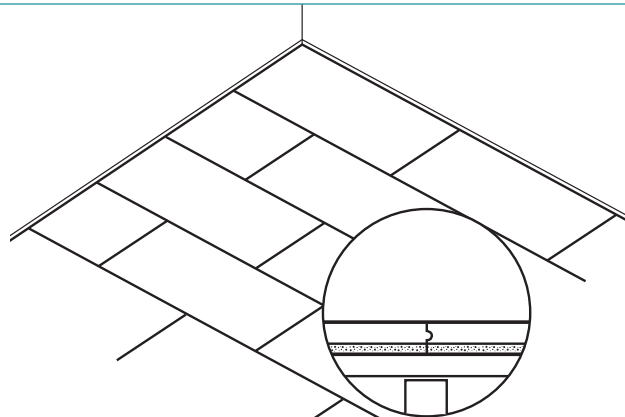
Step
2



Starting from the furthest point out of each room, lay the first Monarfloor® Acoustic Deck over the sub-floor perpendicular to the floor joists, butting the edges tight to the Monarfloor® Flanking Band.

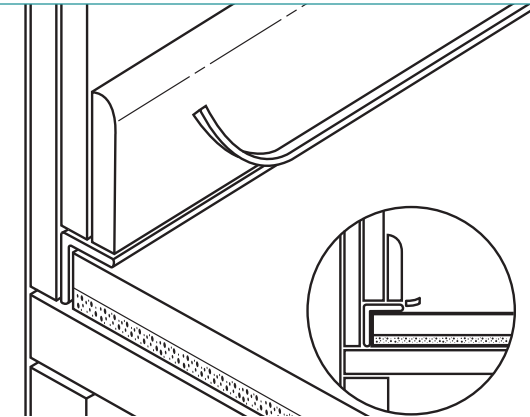
Apply Monarfloor® Adhesive to tongue and groove panel joints

Step
3



Continue to lay the Monarfloor® Acoustic Deck over the existing floor in a broken bond pattern, applying Monarfloor® Adhesive to all tongue and groove panel joints.

Step
4



When the floor is fully covered install skirting and trim off excess Monarfloor® Flanking Band.

Where specified install the appropriate acoustic ceiling beneath to complete the installation.

CI/SFB	March 2017
Uniclass	
Issue 01	



Monarfloor Acoustic Tri-Deck System

Sound Protection

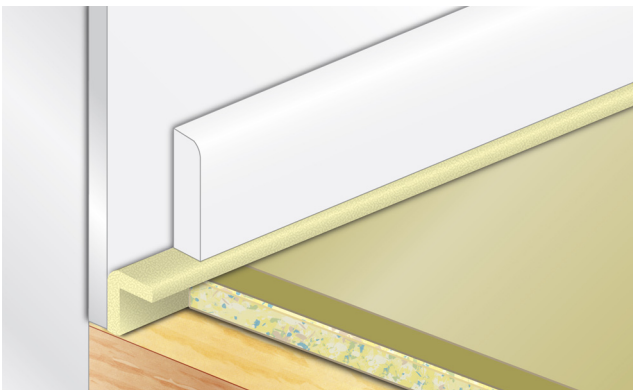
Installation

- Flank all perimeter with Monarfloor Flanking Band.
- Level the sub-floor to the required tolerance.
- Lay Monarfloor Tri-Deck directly over the floor joists in a broken bond pattern with all joints supported and glued.
- Install skirting and trim off excess flanking band.

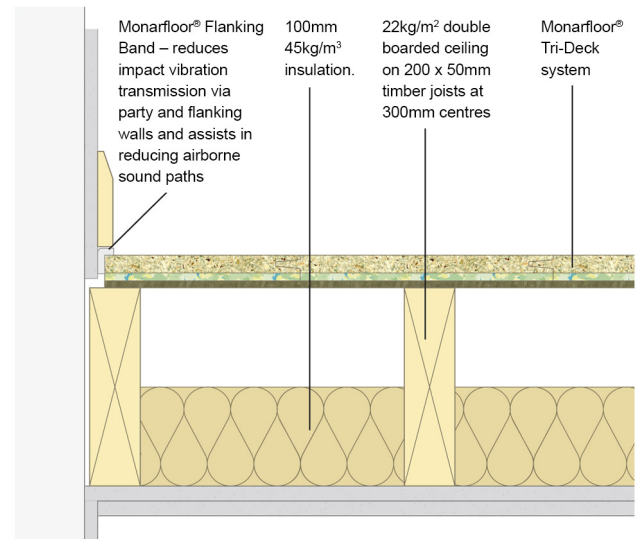
For full details refer to our *Monarfloor Acoustic Tri-Batten System Installation Sheet* or visit our website www.monarfloor.co.uk

Related Products

- **Monarfloor Flanking Band** – reduces impact vibration transmission via party and flanking walls and assists in reducing airborne sound paths. For full details refer to our *Monarfloor Flanking Band Data Sheet*.



- **Monarfloor Adhesive**
For full details refer to our *Monarfloor Adhesive Data Sheet*



Monarfloor® Acoustic Strip on solid timber joists with a resilient bar ceiling.

Technical Support

Monarfloor Acoustic Systems offers FREE technical advice and assistance on all aspects of acoustic systems.

We can also undertake site visits to provide contractors with advice and assistance at every stage of a project from concept to completion.



EN 13707 15 0086-CPD-505779

Ref: ICO2044