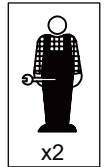
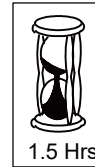


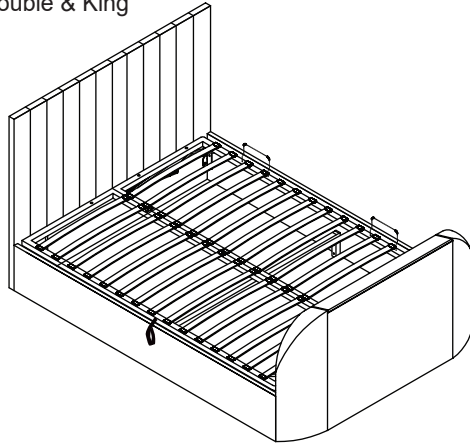


SHELDON OTTOMAN TV BED ASSEMBLY INSTRUCTIONS

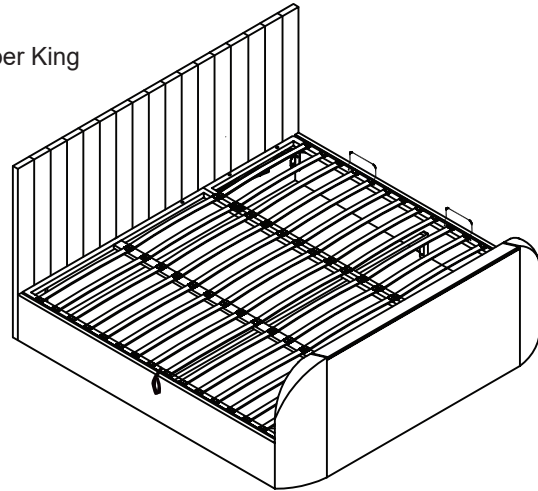
please keep these instructions for future reference.



Double & King



Super King



Important Information

- We suggest you spend a short time reading through this leaflet and then follow the simple step-by-step instructions.
- Carefully check that you have all the parts before beginning assembly.
- Keep fittings out of children's reach and keep children well away from construction area.



An instructional video of the Operation of the Ottoman Lift Up system is available via YouTube using the following address: https://youtu.be/hyq4zm7h_yU

		Press once and TV will rise to it's upper working position. Power to the TV will be connected automatically
		Press once and TV Lift will stop.
		Press once and TV will go down - as soon as the lower resting position is reached power to the TV is switched off to prevent it overheating.
		Torch
		Code Matching
	<p>Code Matching (pairing): occasionally pairing is lost, perhaps due to atmospheric conditions, To re-pair - press and hold the code matching button whilst connecting the power by plugging the mains cable into the control box of the TV lift on the base of the footboard. Continue to press the button for another 5 seconds then press the up or down button to successfully match the code.</p> <p>Regularly check the batteries and if necessary re-place them - x3 pcs AAA size.</p>	

GENERAL INFORMATION

It is very important not to place any vessel containing liquids, e.g. drinks or vase of flowers on top of the TV footboard that may accidentally spill and enter the TV compartment as this could cause damage to the TV and/or the TV lifting equipment. If this happens turn off the power and contact your retailer.

Do not expose the bed to an undue level of heat - keep away from radiators.

Never allow anyone to sit on the foot end of the bed - keep children well away from moving parts.

To keep your bed clean, we recommend that it be wiped over with a slightly dampened cloth, or if fabric, use a light vacuum cleaner; disconnect power before cleaning.

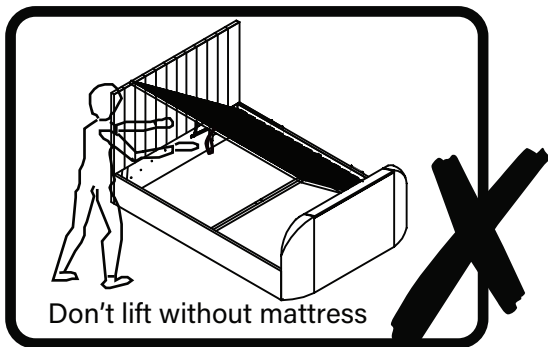
Supplied with the bed is a remote control to operate the TV Lift and there will be one to operate the television itself. Both these remotes will be supplied with batteries - there are no batteries in the rest of the equipment.

When it is time to change the batteries there are strict controls for disposal of the old ones - your local council can advise on how to safely dispose of them. Never burn batteries on an open fire as they could explode.

Warnings

- You must ensure that the mattress is on the bed frame before operating the lift mechanism. Failure to do so could result in injury.
- Keep hands clear of the mechanism when opening or closing the ottoman.
- Beware of entrapment – Never reach in through the mechanism to access the storage area.
- Always ensure that the ottoman is FULLY opened before accessing the storage area.
- Do not exceed the maximum weight as specified in the table below:

Bed	Bed Size	Min Weight (kg)	Max Weight (kg)
SHELDON OTTOMAN TV BED	Double	10	40
	King	15	45
	Super King	20	50



- Use caution when operating, always use the handle when lifting.
- Note: This bed uses a pressurised mechanism.
- To be operated by adults only
- Please ensure that children and pets are kept away from the bed when operating the lift mechanism.
- Keep children and pets away from the storage area.
- Do not overload the internal storage base.
- Do not stand inside the internal storage area of the bed.
- Before removing the mattress secure the frame to ensure it does not open unexpectedly.
- Do not attempt to lie on the mattress when the ottoman is in the raised position.
- When lifting the ottoman remove all bedding except the fitted sheet.

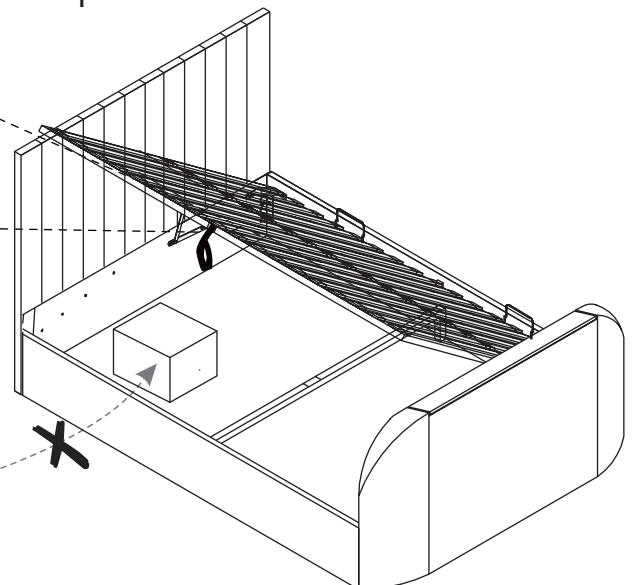
SAFETY WARNING
PLEASE DO NOT ALLOW CHILDREN
OR PETS INSIDE THE STORAGE AREA.

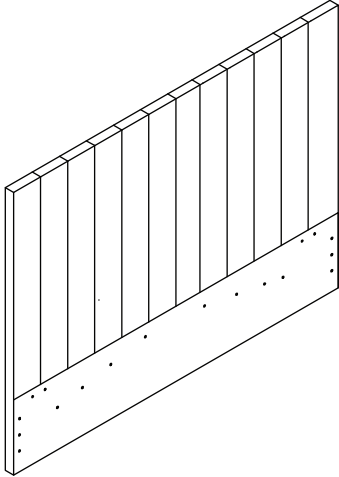
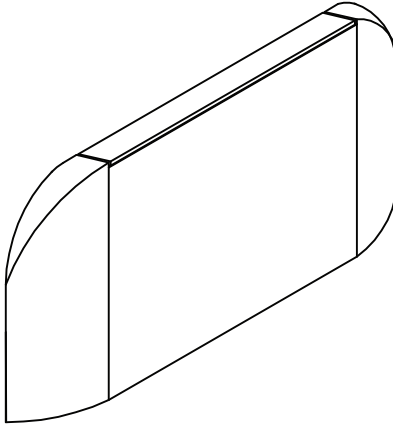
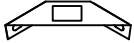
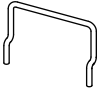
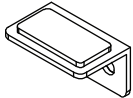
SAFETY WARNING
PLEASE BE CAREFUL WHEN LIFTING.
ONLY LIFT WITH MATTRESS ON TOP.
TO BE OPERATED BY ADULTS ONLY.

**WARNING: ONLY USE THE HANDLE TO LIFT &
LOWER THE BED FRAME TO
AVOID TRAPPING FINGERS!**

TO AVOID ACCIDENTS
TO ACCESS THE STORAGE AREA THE OTTOMAN FRAME
MUST BE FULLY OPENED AND THEN FULLY CLOSED AFTERWARDS

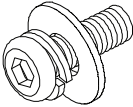
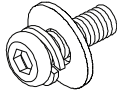
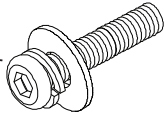
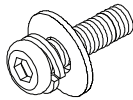


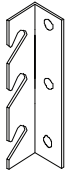
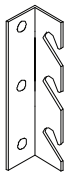
Note: Be very careful
what you store under
the bed - the top of an
item, like a box or a
suitcase, must not
touch the slats or they
may be damaged.
Maximum storage
height is 250mm.



Components Packed in carton 1	Components Packed in carton 2	
<p>(1) Headboard x 1</p> 	<p>(2) Footboard x 1</p> 	<p>(6) Angled corner bracket x2</p>  <p>(11) Mattress Stopper x2</p>  <p>(13) Support bracket x2</p> 

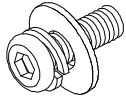


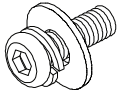
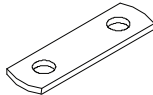

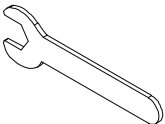
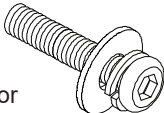
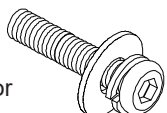
HARDWARE FOR ASSEMBLING THE BED - PACKED IN CARTON 2

HARDWARE FOR ASSEMBLING THE BED

<p>A x12</p> <p>Bolt sets (M8x35mm) for fitting side rails (3) to headboard & footboard (1&2)</p> 	<p>D x12</p> <p>Bolt sets (M8x20mm) for fitting corner brackets L&R</p> 	<p>E x4</p> <p>Bolt sets (M6x45mm) for fitting 'U' shape cross bar to side rails</p> 
<p>F x12</p> <p>Bolt sets (M6x20mm) for fitting brackets (6&13) to side rails</p> 	<p>G x1</p>  <p>Allen key for M6 bolts</p>	<p>H x1</p>  <p>Allen key for M8 bolts</p>
<p>L x2</p>  <p>Angle bracket - LH Hooks</p>	<p>M x2</p>  <p>Angle bracket - RH Hooks</p>	

HARDWARE FOR ASSEMBLING THE METAL SLAT FRAME - PACKED IN CARTON 2

HARDWARE FOR ASSEMBLING THE METAL SLAT FRAME

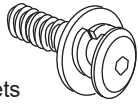
<p>A x4</p> <p>Bolt sets (M8x35mm) for fitting lift mechanism to footboard (2)</p> 	<p>B x6</p>  <p>M8 Spring Washer</p>	<p>C x6</p>  <p>M8 Flat Washer</p>
<p>D x4</p> <p>Bolt sets (M8x20mm) for fitting metal connection plate</p> 	<p>N x2</p>  <p>Metal connection plate</p>	<p>O x10</p>  <p>Flanged M8 lock-nuts</p>
<p>P x1</p>  <p>Spanner for flanged M8 lock-nuts</p>	<p>Q x6</p> <p>Bolt sets (M8x50mm) for fitting metal slat frame to lift mechanism (7&8)</p> 	<p>R x4</p> <p>Bolt sets (M8x65mm) for fitting lift mechanism to headboard (1)</p> 

HARDWARE FOR ASSEMBLING THE BED & FITTING THE TV - PACKED IN CARTON 2

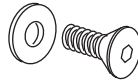
TV INSTALLATION KIT

a x2

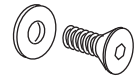
Screw-Washer Sets
(M8x25mm)
Use 5mm Allen Key (D)



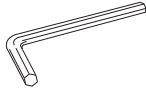
Counter-Sunk Screws
(M6x12mm)



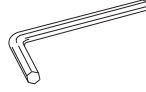
Counter-Sunk Screws
(M4x12mm)



b x2



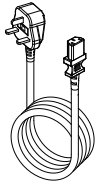
Allen Key (4mm)



Allen Key (2.5mm)

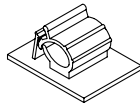
CABLES & ACCESSORIES FOR TV INSTALLATION

S x1



Power Lead - 3 metre

V x3



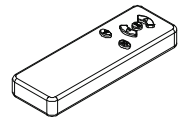
Cable Clips

W x3



Cable Ties

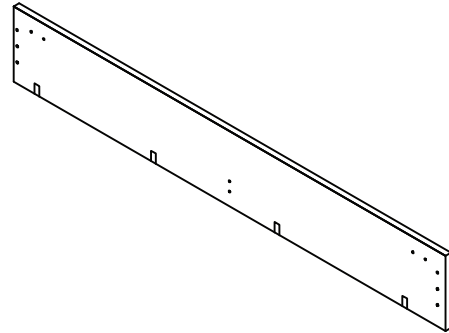
Y x1



Remote Control

Components Packed in carton 3

(3) Side Rails x2

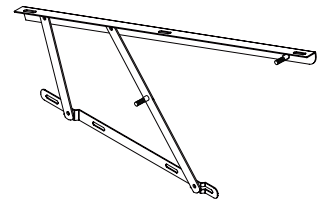
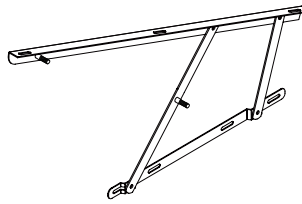
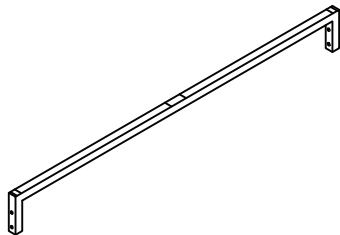


Components Packed in carton 4

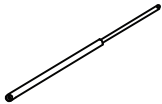
(4) Spacer Rails for Lift Mechanism x2



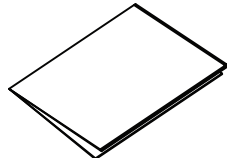
(5) 'U' Shape Cross Bar x1 (7) Lift Mechanism - LH x1 (8) Lift Mechanism - RH x1



(9) Gas Lift Pistons x2



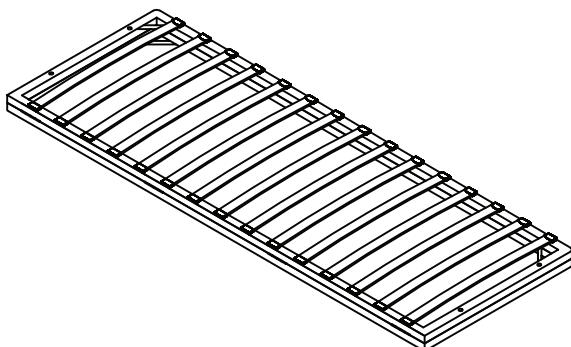
(12) Fabric Base Cover x1



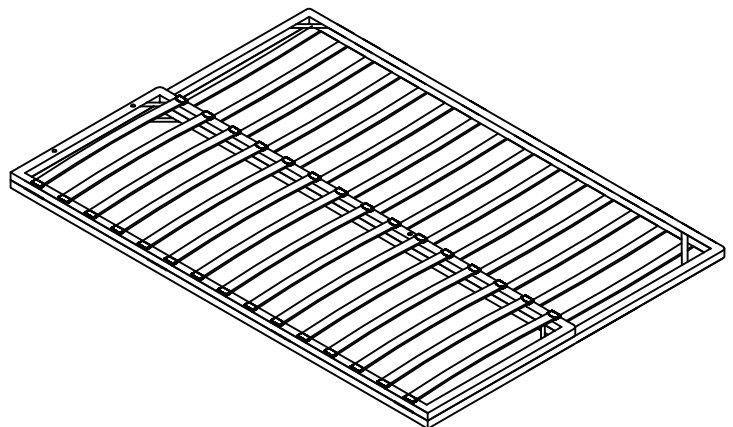
(14) Fabric Hand Strap x1



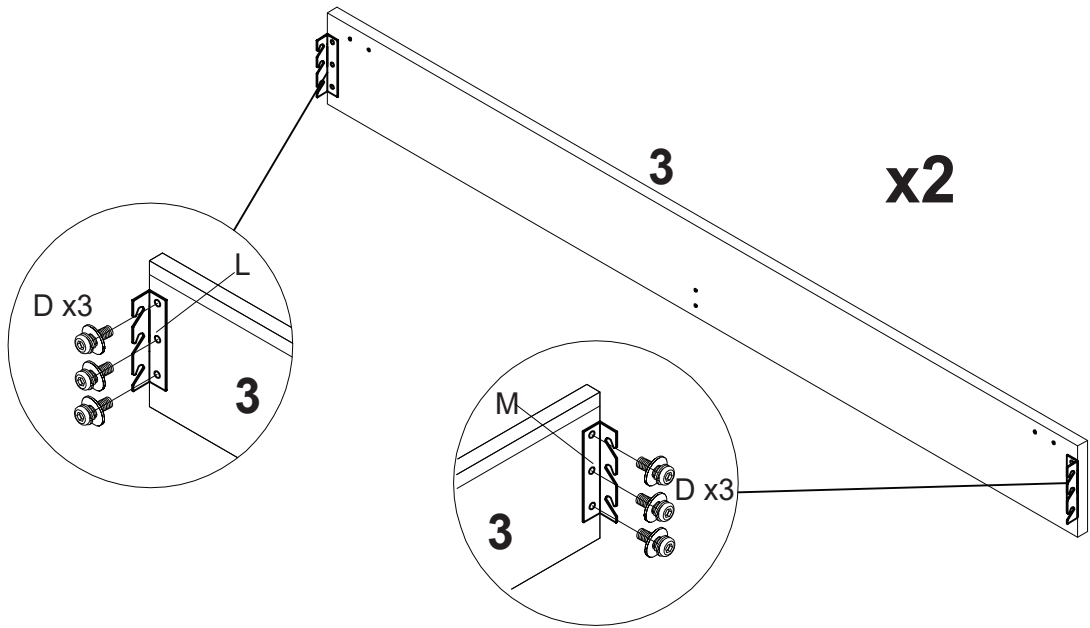
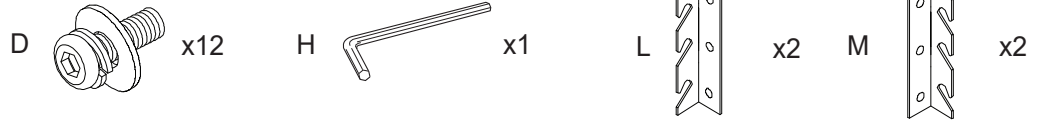
(10) Metal Slat Frame for Double or King Size x1



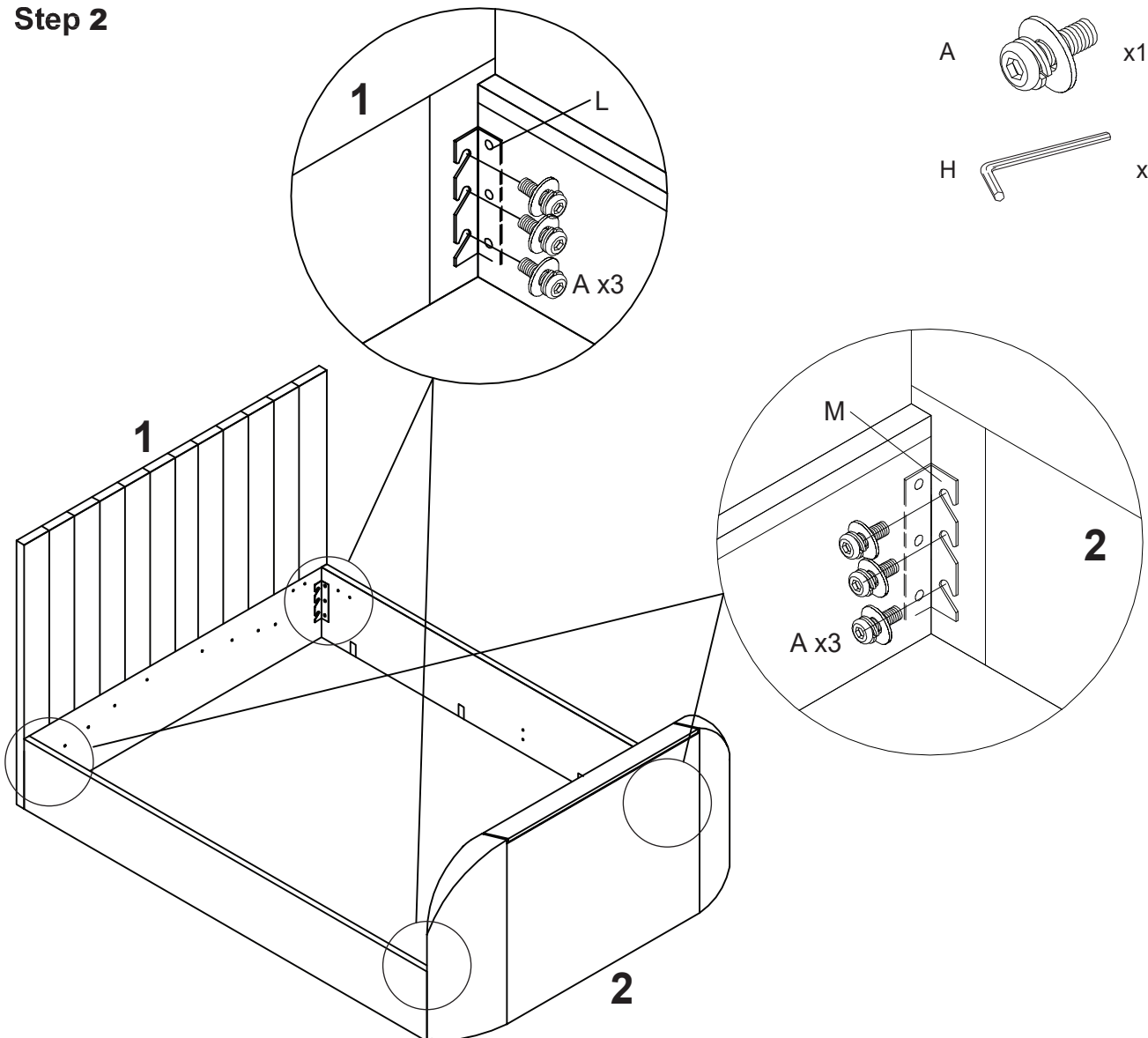
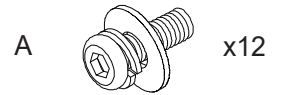
(17) Metal Slat Frame for Super King Size x1



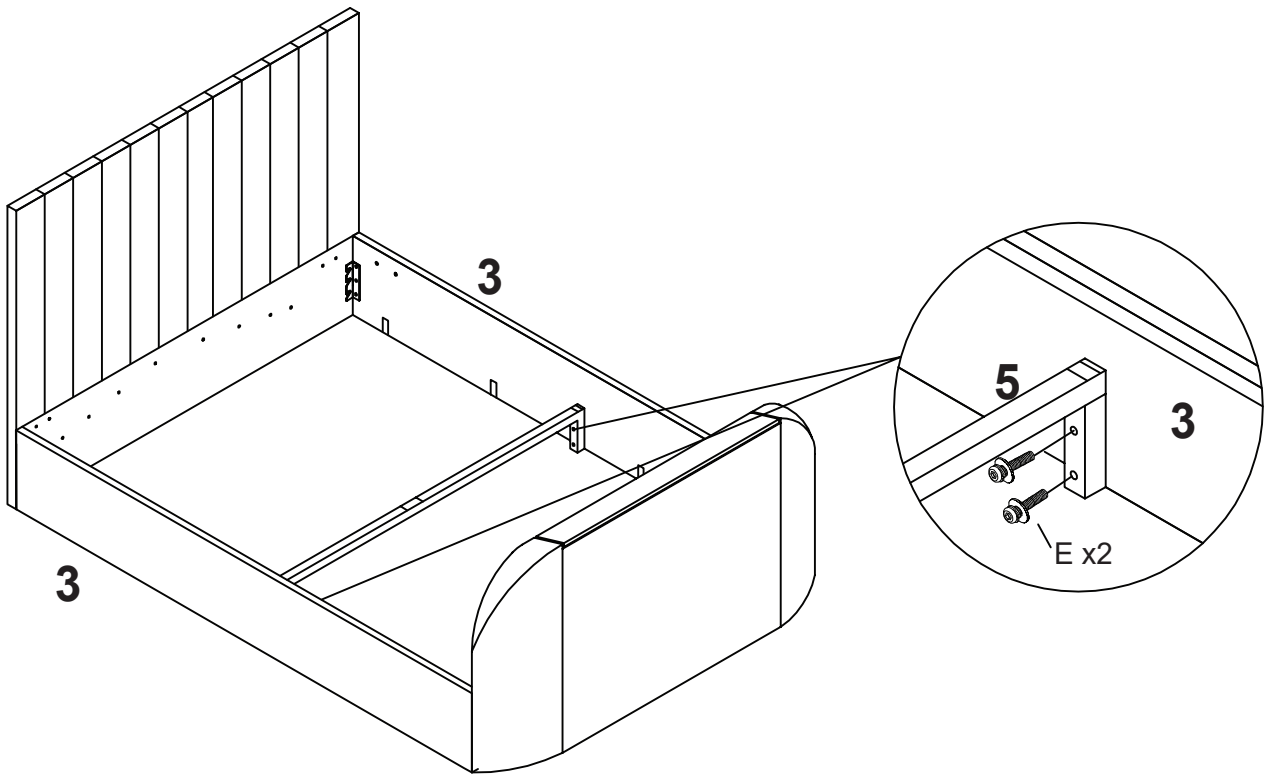
Step 1



Step 2

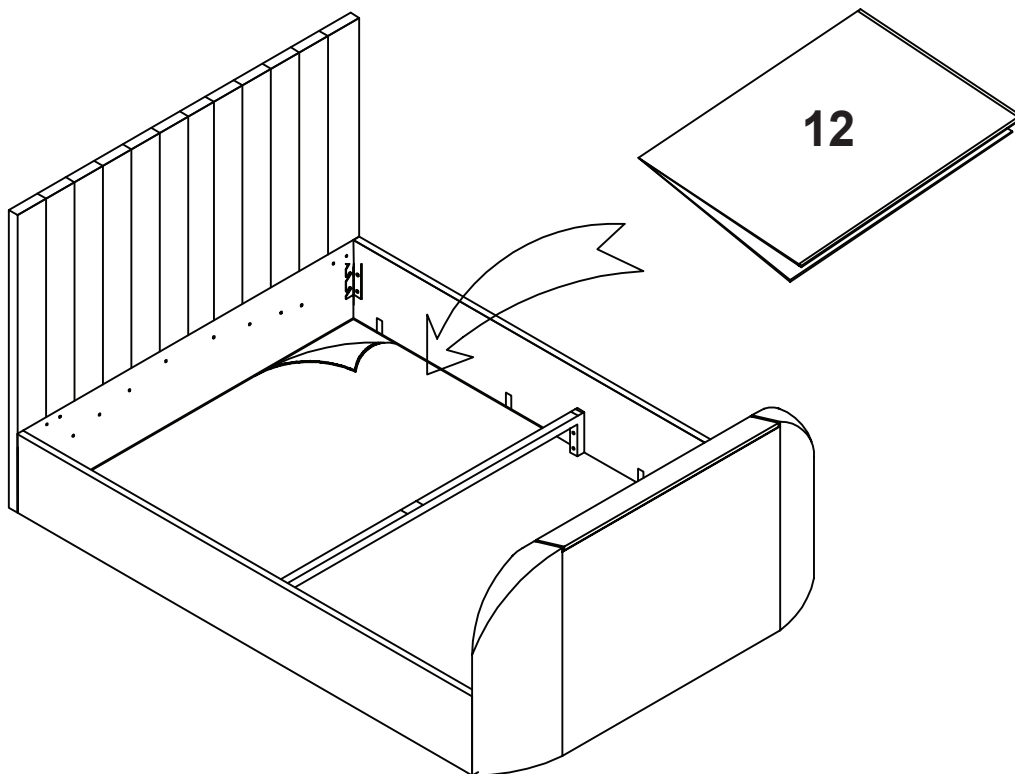


Step 3



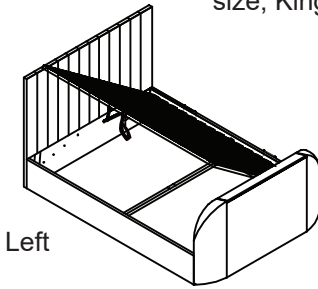
Step 4

Fit the fabric base cover (12) evenly around the inside of the bed.

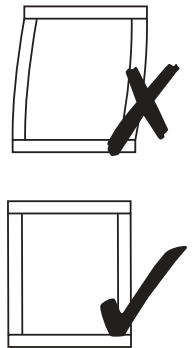
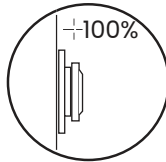
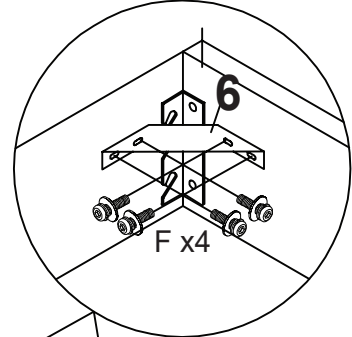
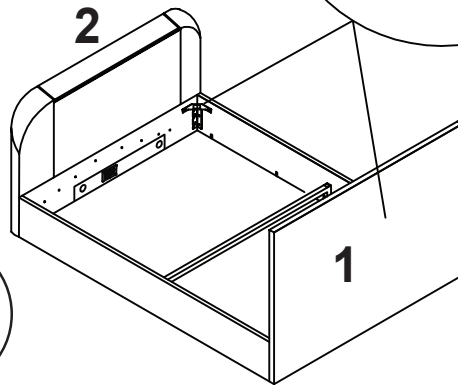
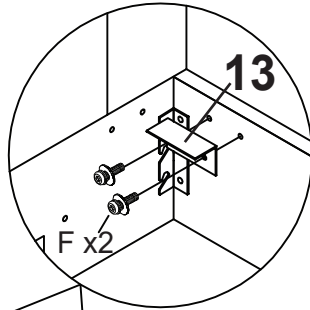
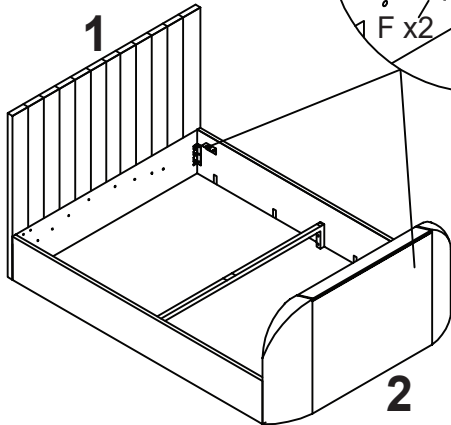


Step 5a

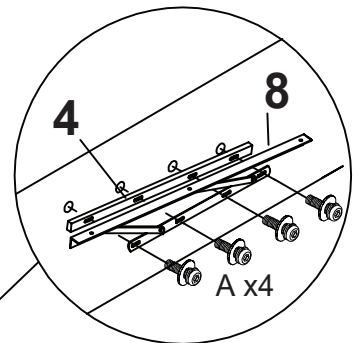
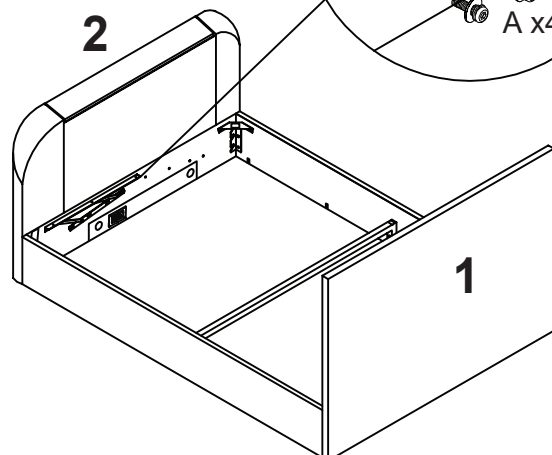
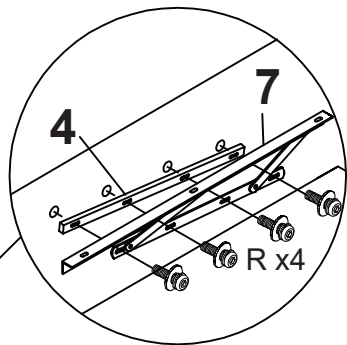
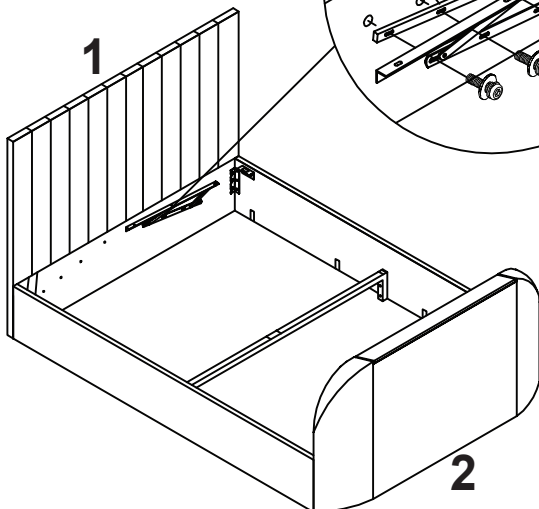
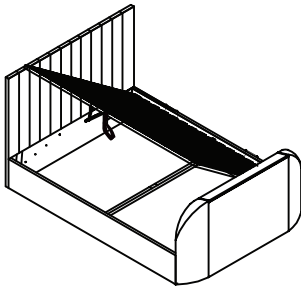
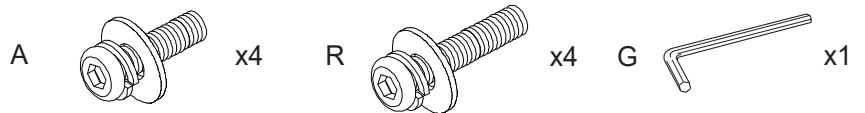
Please choose which side of the slat-frame to lift up to reach into the storage area.
 To lift from the LEFT, follow Step (5a, 6a & 14a) to lift from the RIGHT, steps (5b, 6b & 14b).
 Depending which size of bed you have purchased, use the relevant hardware for the Double size, King size or Super-King size bed.



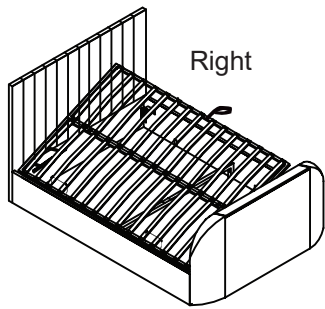
Left

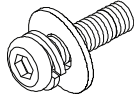



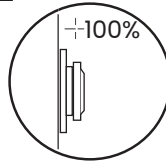
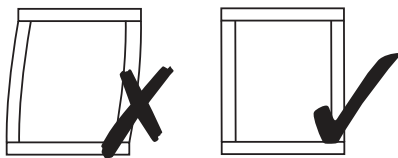
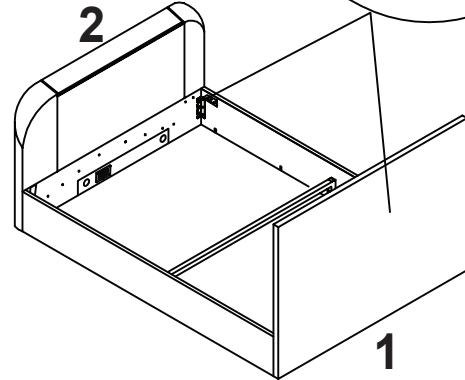
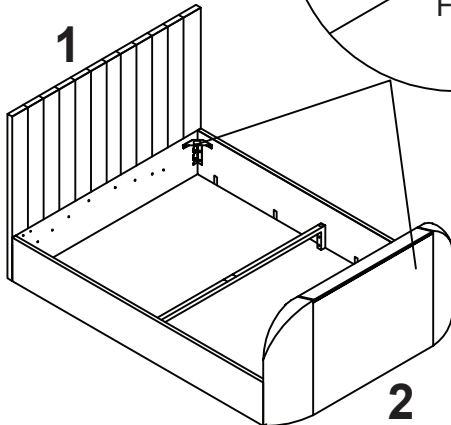
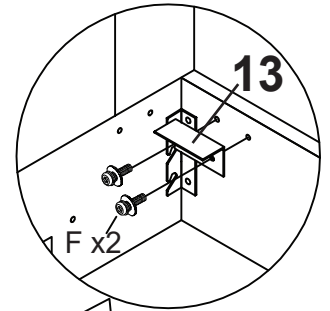
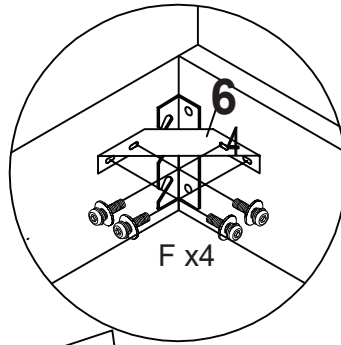
Step 6a



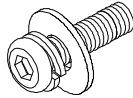
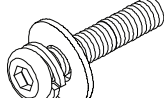
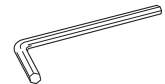
Step 5b

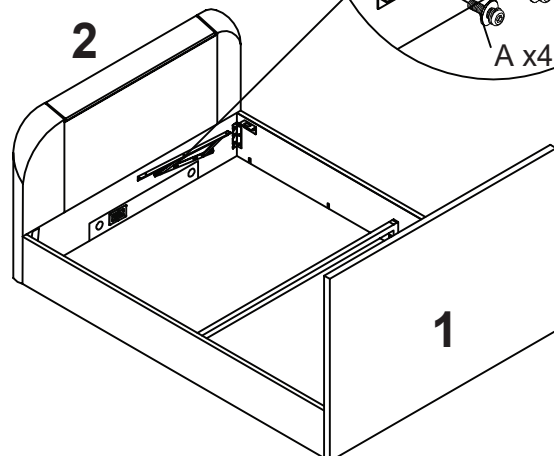
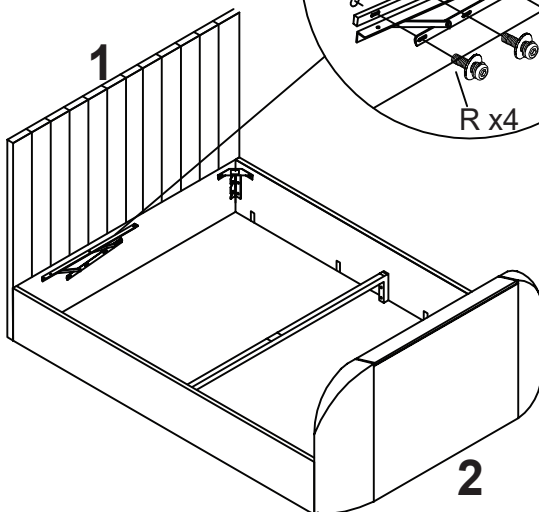
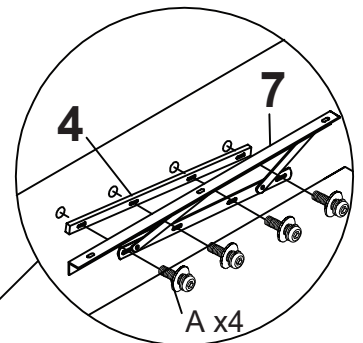
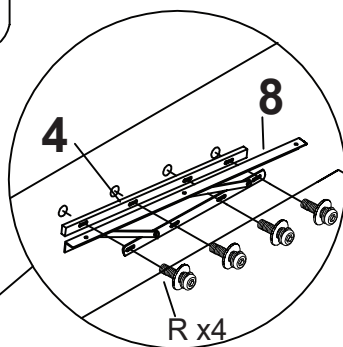
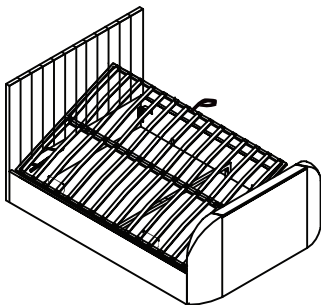


F  x12 G  x1



Step 6b

A  x4 R  x4 G  x1

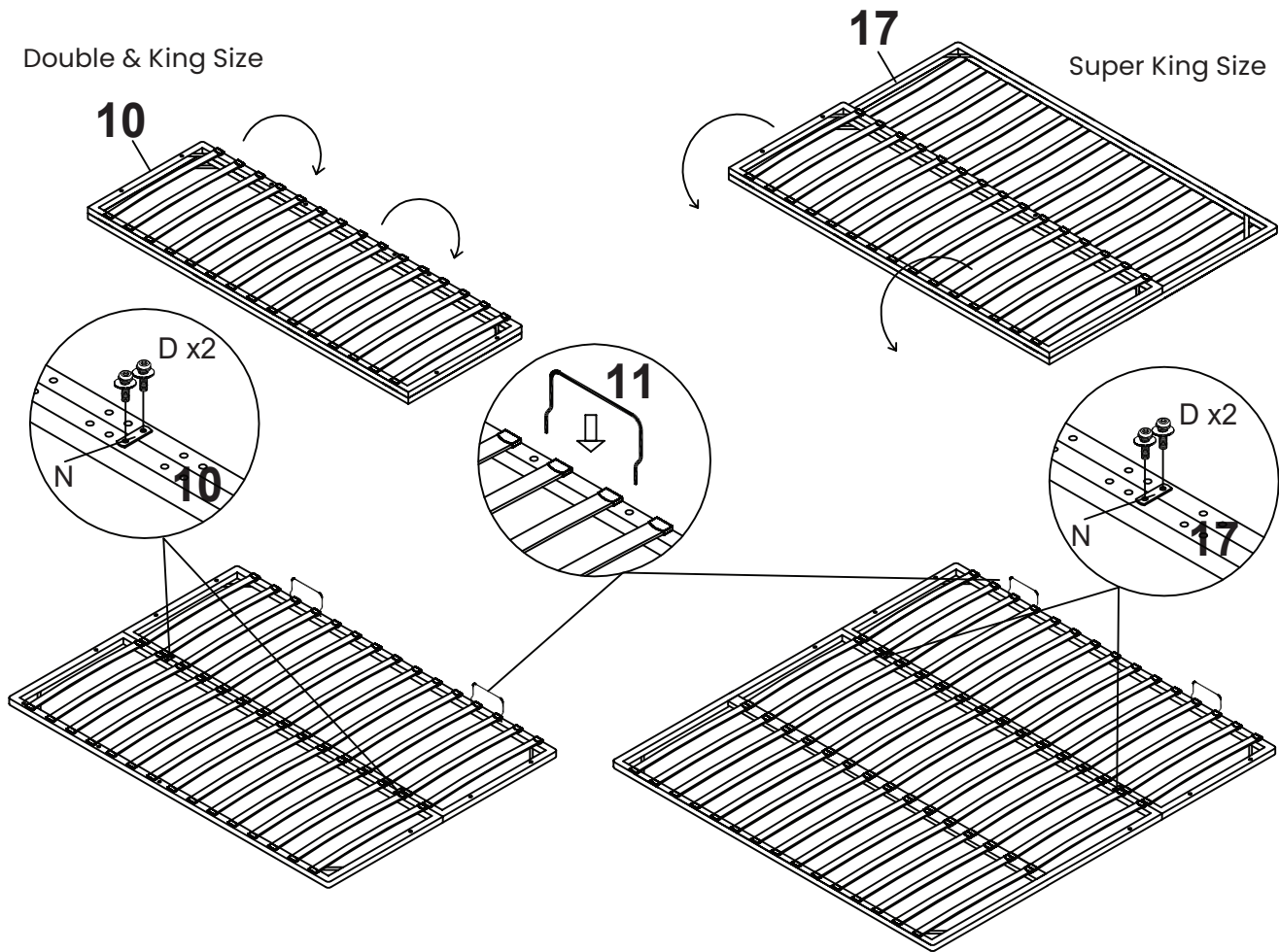


Step 7

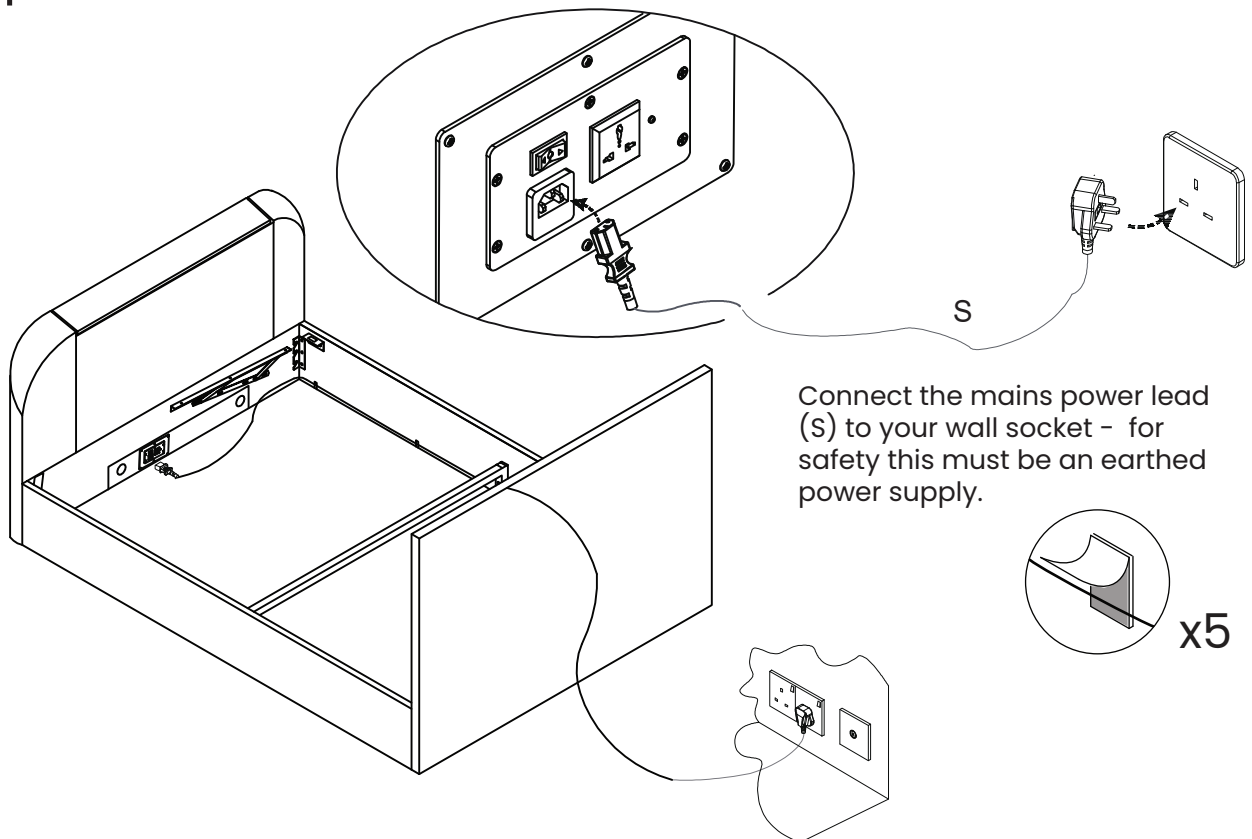


Double & King Size

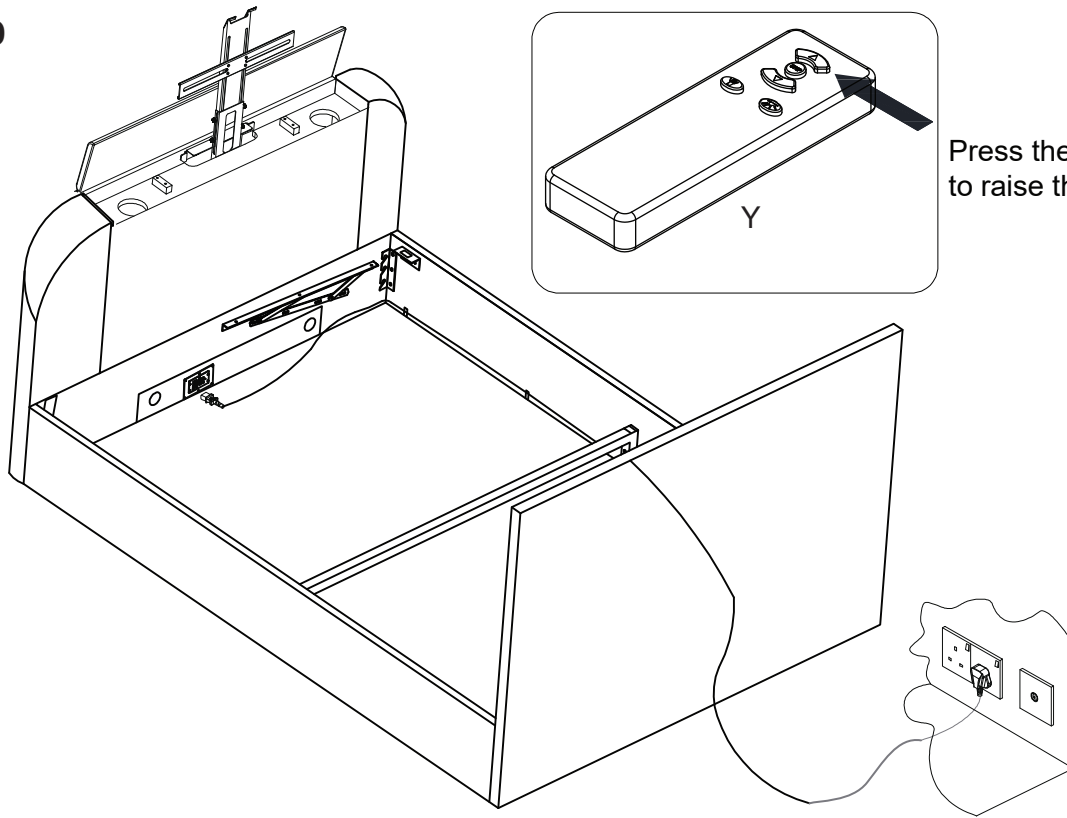
Super King Size



Step 8



Step 9



Press the "UP" button to raise the TV lift.

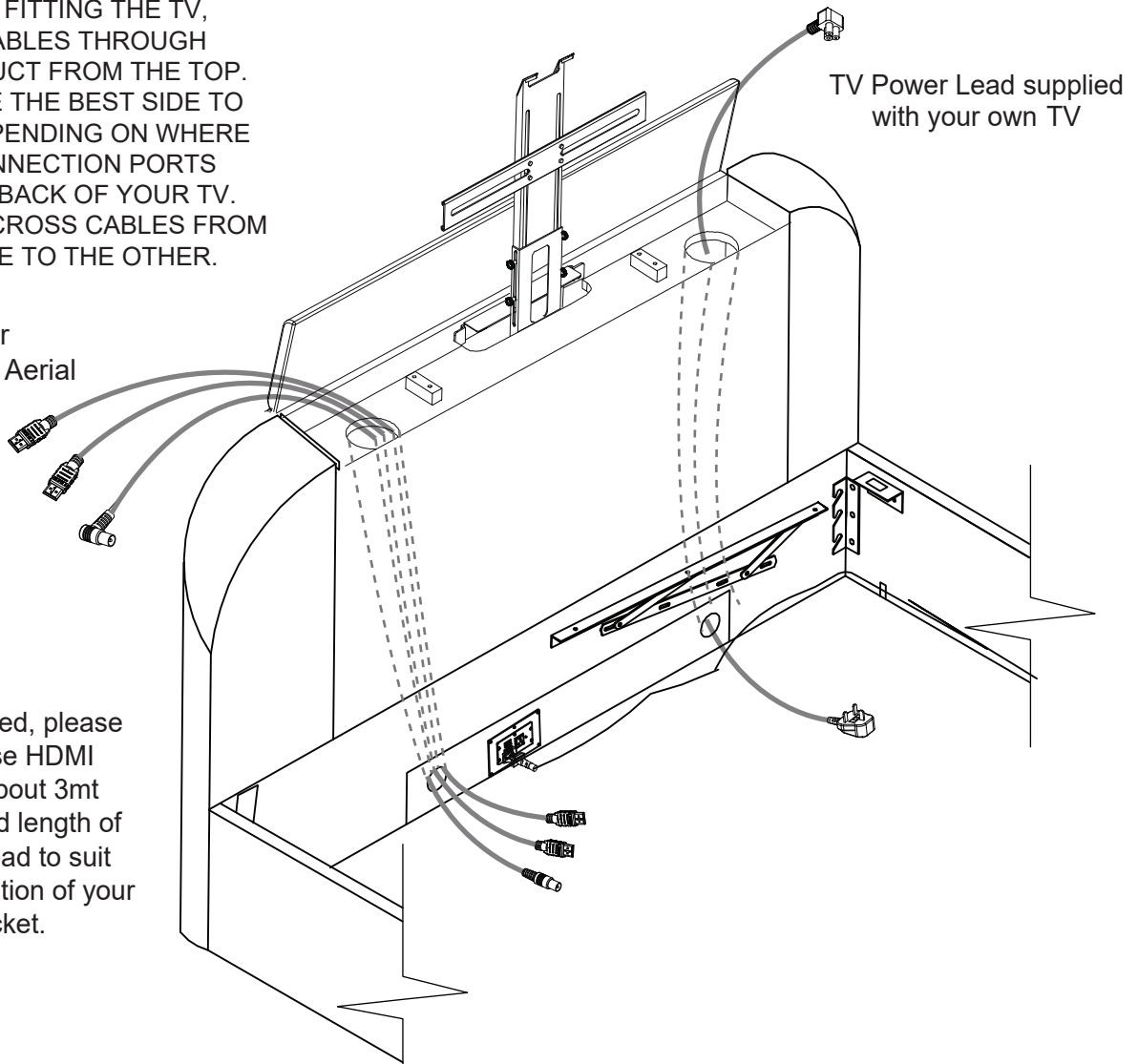
Step 10

Note: For illustration purposes only, TV connections may vary.

TIP:

BEFORE FITTING THE TV, PUSH CABLES THROUGH EACH DUCT FROM THE TOP. CHOOSE THE BEST SIDE TO USE DEPENDING ON WHERE THE CONNECTION PORTS ARE ON BACK OF YOUR TV. NEVER CROSS CABLES FROM ONE SIDE TO THE OTHER.

Leads for HDMI or Aerial

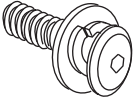



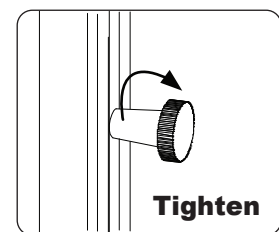
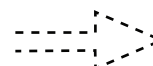
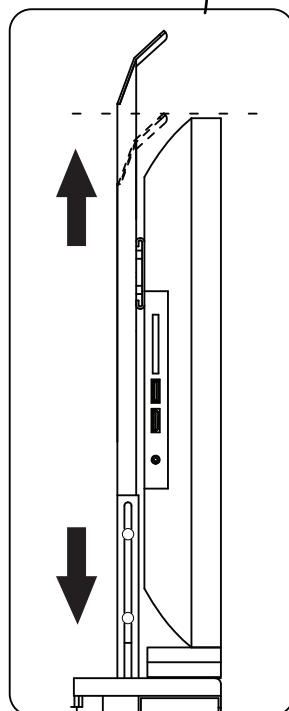
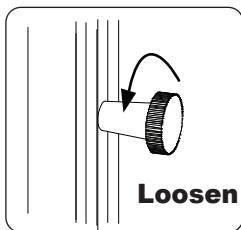
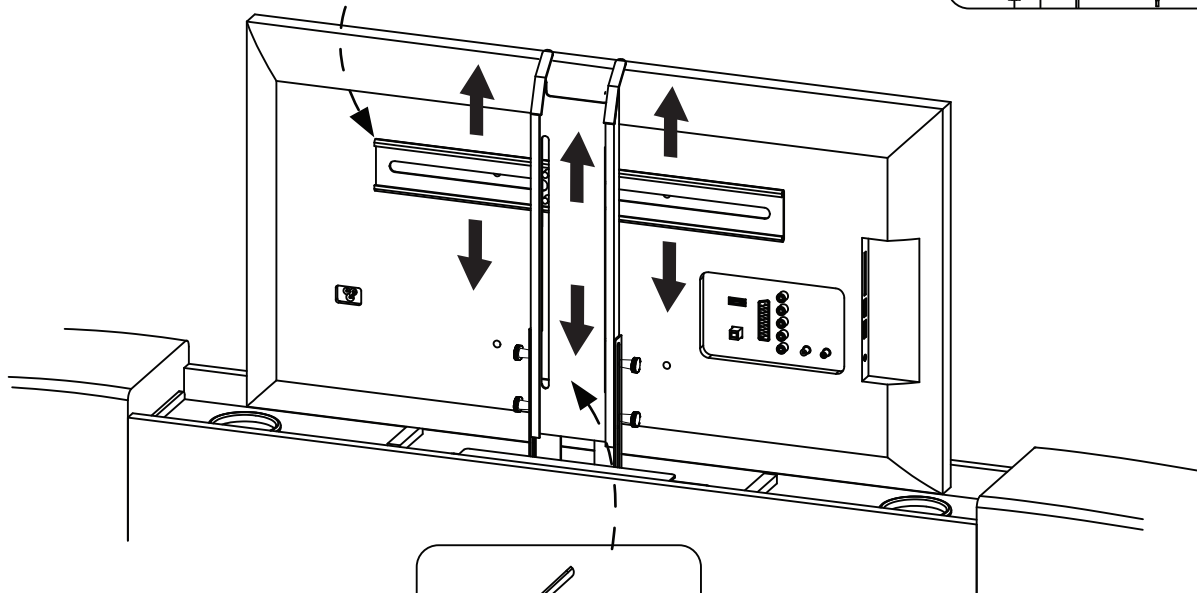
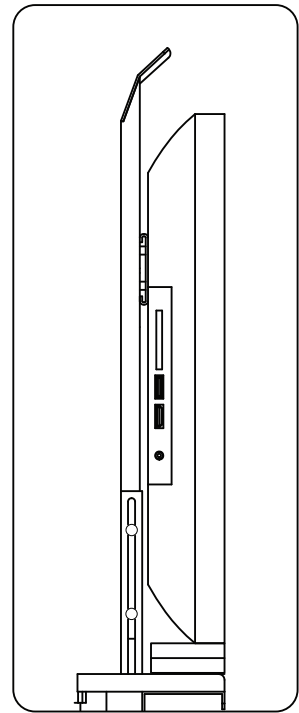
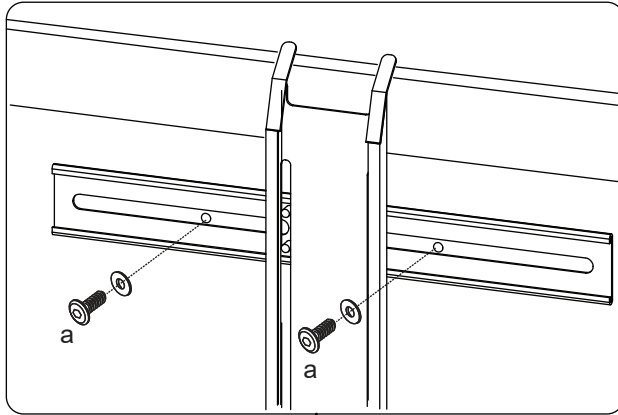
TV Power Lead supplied with your own TV

If required, please purchase HDMI leads about 3mt long and length of aerial lead to suit the position of your wall socket.

Step 11

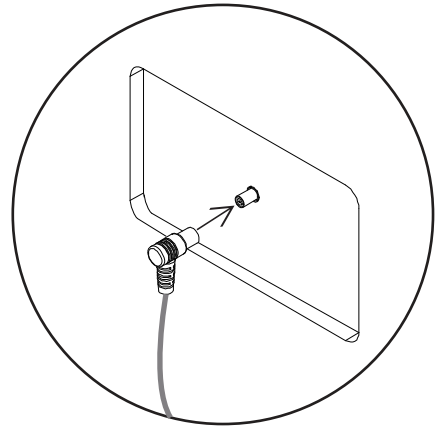
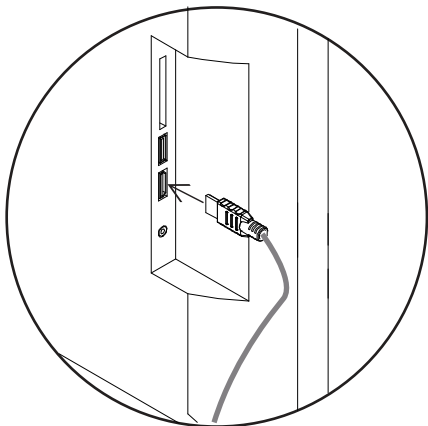
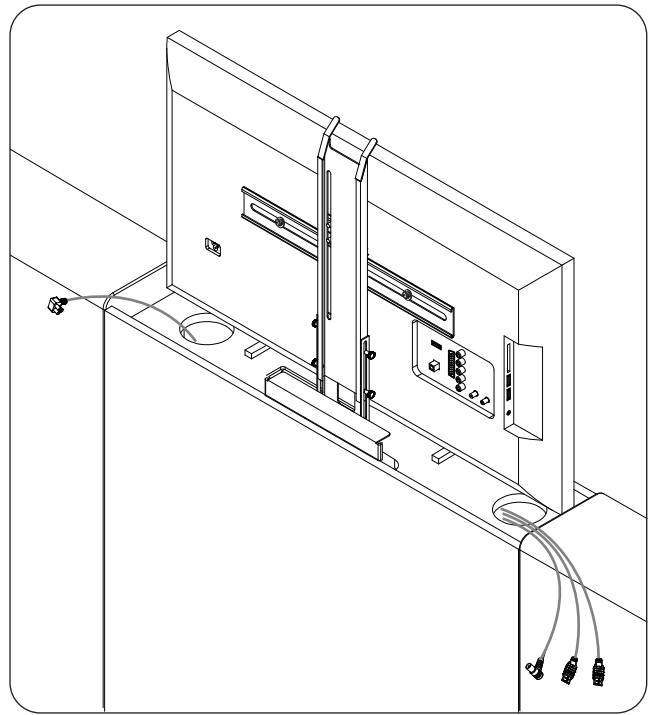
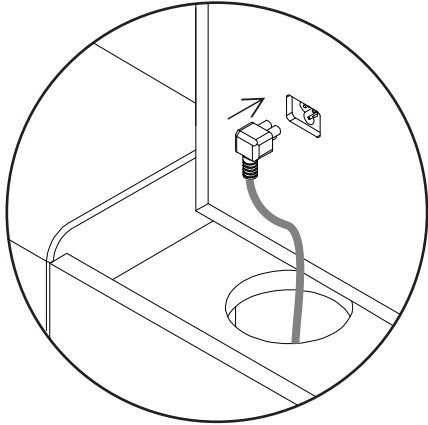
TV INSTALLATION KIT

- a Screw-Washer set (M8/M6/M4)  x2
- b Allen Key (5mm/4mm/2.5mm)  x1

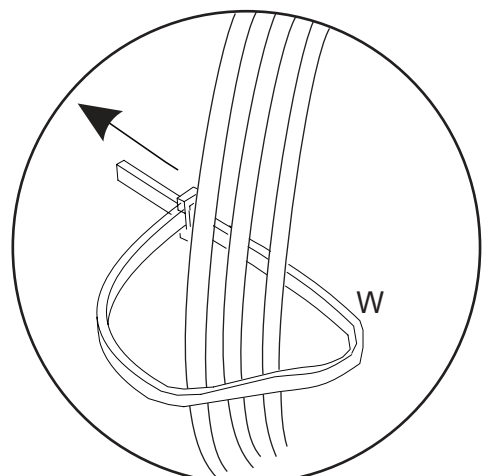
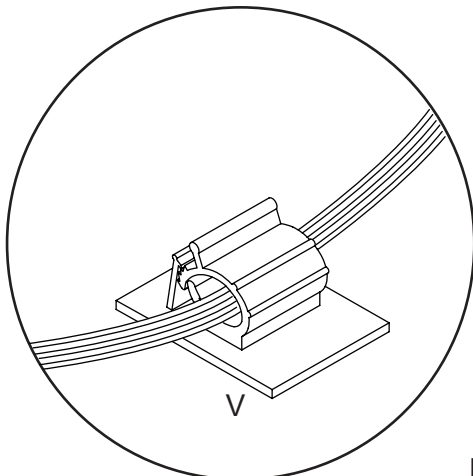


Step 12 Note: For illustration purposes only, TV connections may vary.

TV power lead supplied
with your own TV

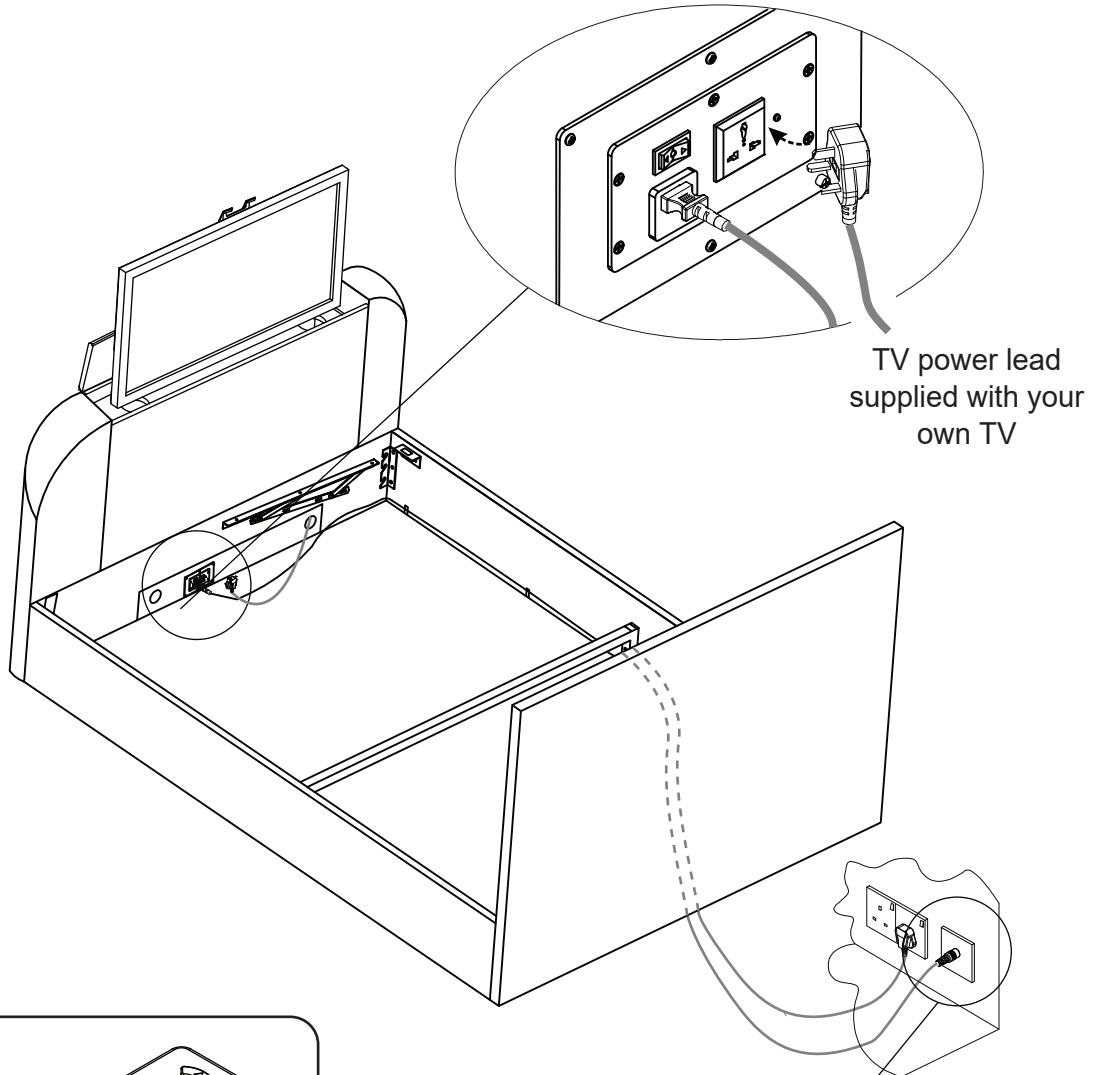


**PLUG IN - KEEP ALL CABLES TIGHT
- USE CLIPS & TIES PROVIDED.**

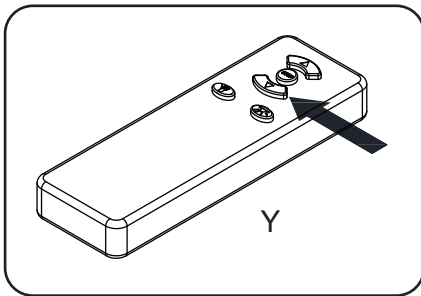


Keep wires tight - peel
off cover from cable clips
& adhere to back of TV.

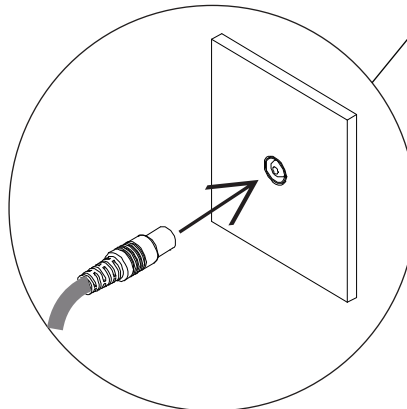
Step 13



TV power lead
supplied with your
own TV

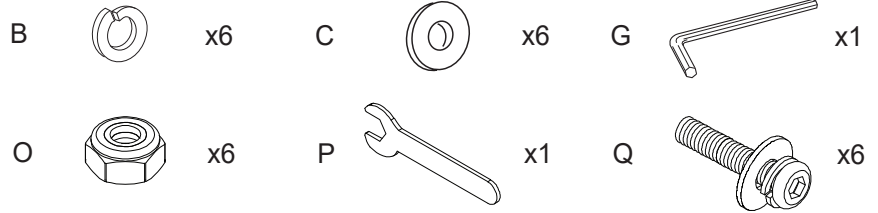


Press the "DOWN" button
to lower the TV lift.



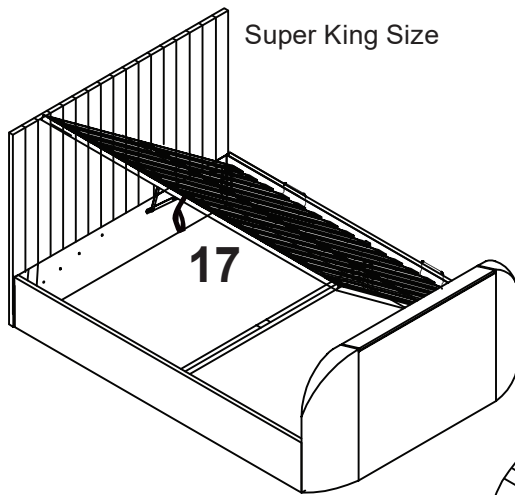
Aerial lead supplied
by yourself if required

Step 14a

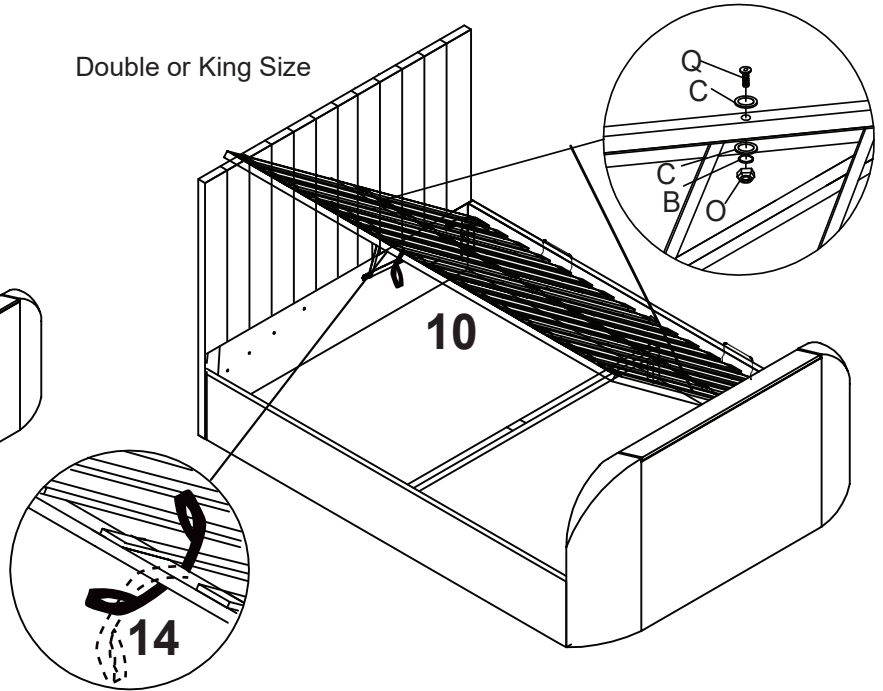


LIFT FROM LEFT SIDE
MAKE SURE THE MATTRESS STOPPERS AND HAND STRAP
ARE ON THE CORRECT SIDE OF THE BED AS SHOWN

Fit the bolt sets but please
do not tighten fully yet.

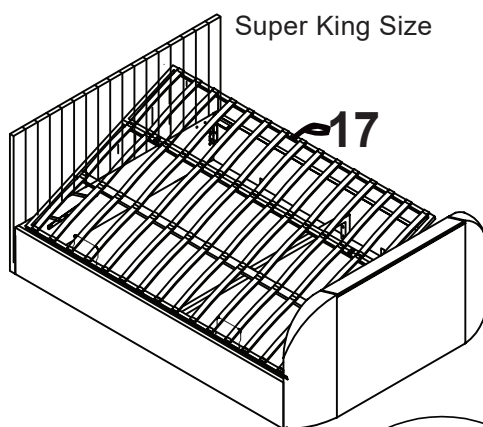


Double or King Size

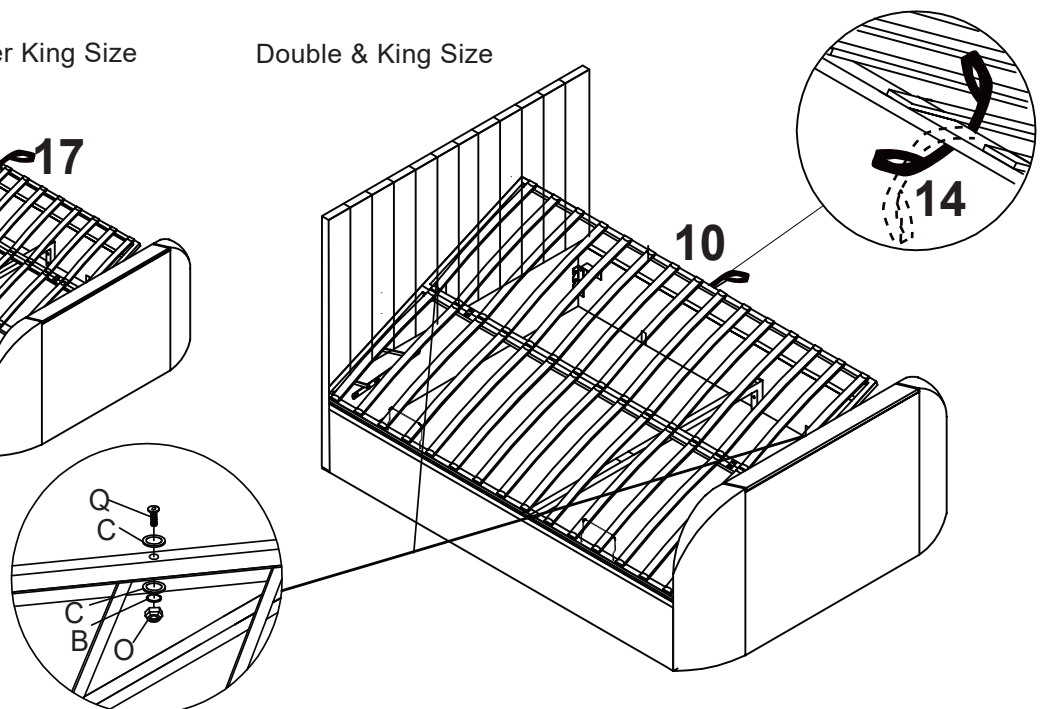


Step 14b

LIFT FROM RIGHT SIDE
MAKE SURE THE MATTRESS STOPPERS AND HAND STRAP
ARE ON THE CORRECT SIDE OF THE BED AS SHOWN

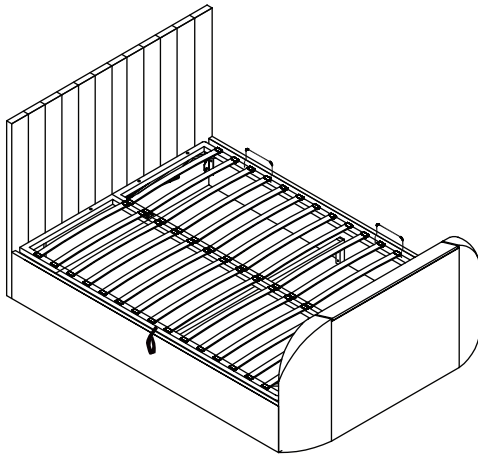
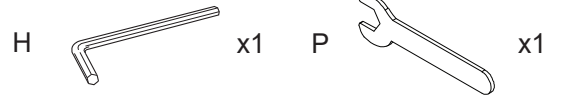


Double & King Size



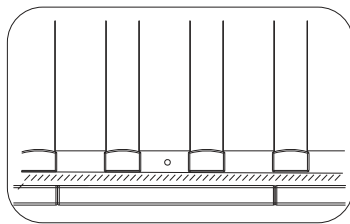
Fit the bolt sets
but please do not
tighten fully yet.

Step 15

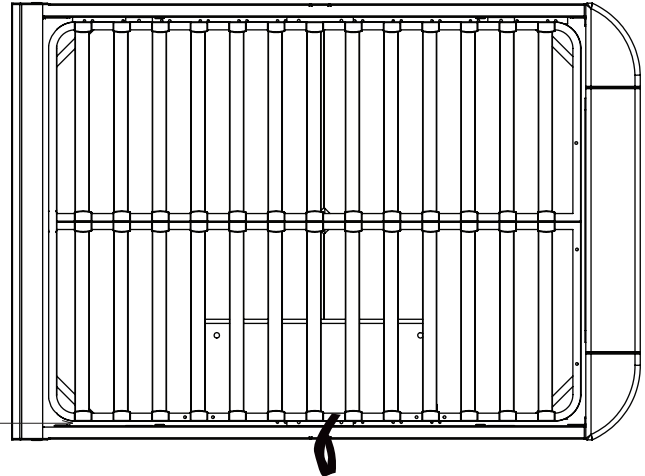


Carefully lay frame down. Make sure there is an even gap each side of about 8 mm, as in the sketch.

Hold frame securely then tighten all six bolt sets 100% using spanner (P) & Allen key (H).



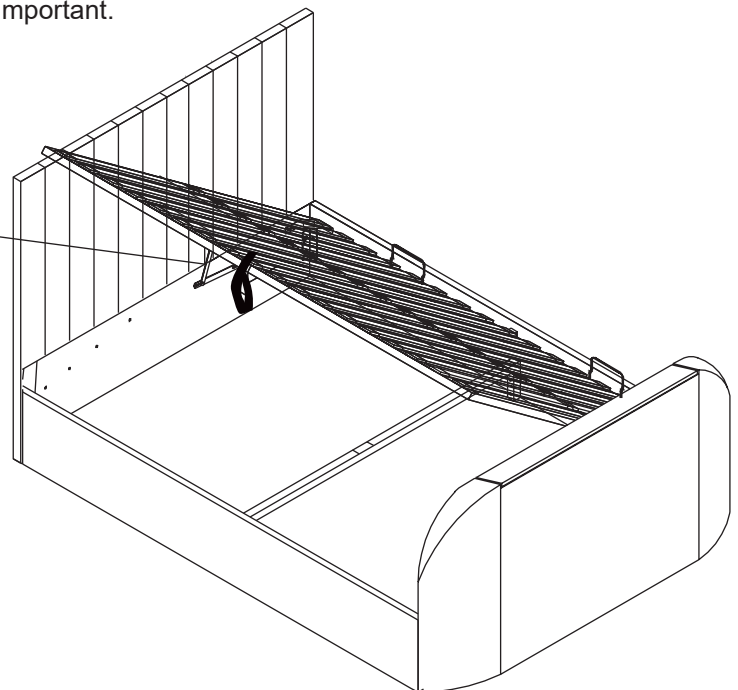
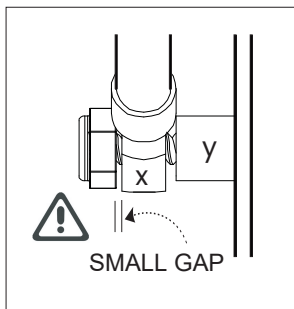
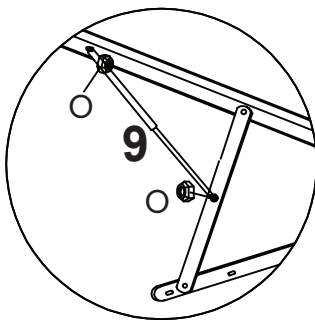
8 mm



Step 16



Fit the pistons (9) sliding the stems (x) over the axles (y). Tighten lock nuts (O) with spanner (P) but please DO NOT over-tighten, a small gap needs to be left so stems can move freely - if too tight the frame will be hard to lift so this is important.



Technical Specifications

Max TV Size: 980 x 570 x 85 (WHDmm)

Overall Dimensions (LWH mm)

Double: 2200 x 1430 x 1155

King: 2300 x 1580 x 1155

Super King: 2300 x 1880 x 1155

Internal Dimensions (LWH mm)

Double: 1930 x 1380 x 250

King: 2030 x 1530 x 250

Super King: 2030 x 1830 x 250

Distance between slats (mm)

Double: 72

King & Super King: 70

Slat Dimensions (mm)

Double: 670 x 53 x 9

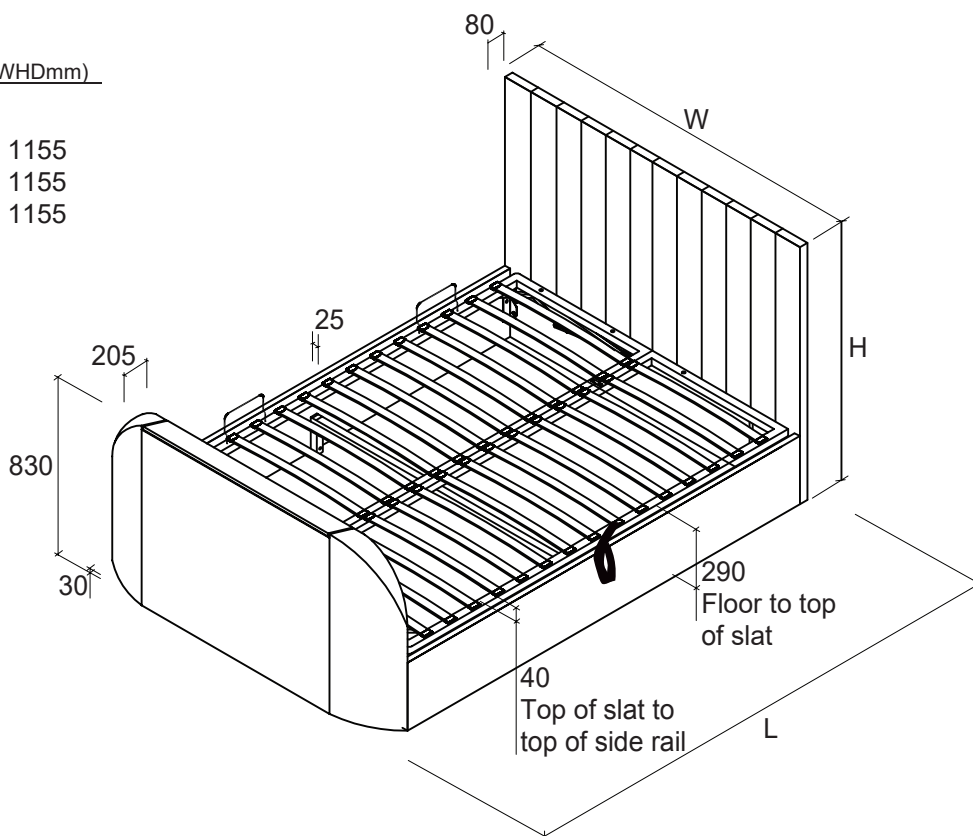
King: 745 x 53 x 9

Super King: 595 x 53 x 9

Ottoman Piston Rating

Double & King: 800N

Super King: 900N



IMPORTANT POWER INFORMATION

Before fixing the mattress baseboards to the bed, please follow the instructions below:

Plug in the main power supply lead supplied with your bed; this is packed inside the TV footboard Pack 2.

It is essential that this power lead is connected to an earthed socket be it a wall socket or extension lead - otherwise there is risk of damage or even electric-shock.

The wall socket providing the power must be accessible at all times in case you need to switch off the electric supply.

Power cable supplied with this bed or other approved mains powered extension leads used to power your equipment must not be placed where they can be walked on - this is dangerous and could lead to accidents.

Power outlets, extension leads or adapters must not be overloaded beyond their limit - this can result in fire or electric shock.

During an electrical or lightning storm - disconnect the power completely as a precaution.

Always un-plug the power when going on holiday or when the bed is not used for an extended period.

If you have young children in the home always disconnect the power at the wall socket for extra safety.

Do not interfere with or modify any cables already fitted and do not add any media cables unless they are routed through the ducts as shown. All leads must be tightly connected to back of TV, never hanging loose where they can get trapped.

Never touch moving parts or any part of the equipment - if something needs to be checked, disconnect the power first.

Do not insert anything into the footboard as this could seriously damage the TV and/or the TV lifting equipment and could, if done carelessly, cause serious damage or injury.

If the equipment doesn't operate normally or if there is any unusual noises, disconnect the power and contact your retailer for advice.

TELEVISION INFORMATION

Please follow the assembly steps for initial operation of the TV Lift, your TV and any media cables required.

Push the television power plug (supplied with your own TV), into its own special socket which is on the face of the footboard clearly shown in the instructions. For safety and to prevent overheating, this socket is only to be used for the television as it does not have a constant power supply.

Raise the TV Lift by pressing the UP button of the remote control.

If required you can connect media cables the television ports.

Please use the cable clips & cable ties to make certain there are no loose wires to snag or get trapped.

The television can now be operated following the TV User Guide.

When finished viewing, lower the television back into the footboard by pressing the DOWN button of the remote control.

For safety and to stop any overheating, power to the television is switched off when lift reaches the bottom rest position.

When the UP button is pressed - the TV Lifting Column rises and power is turned back on automatically.

TROUBLE SHOOTING

- If your equipment does not operate please check all the electrical connections to the wall socket and check that electricity is reaching the main power input plug bringing power to the footboard.
- Make sure that the TV is switched on - but note that the television will only work when it is in the up position.
- Check that the remote control has not lost its connection with the TV Lift - please see pairing instructions on Page (1).

IMPORTANT: Care should be taken when connecting electrical items. If you are in any doubt about the connections please consult an approved electrician. If you still have a problem please contact your retailer for advice.