

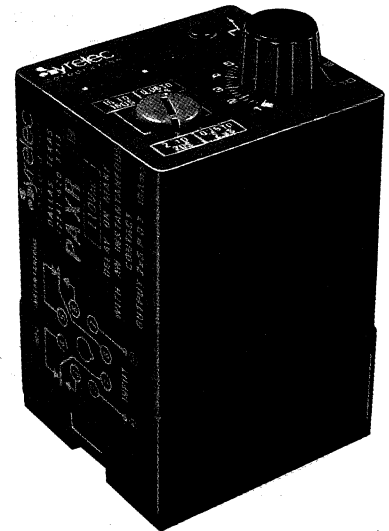
AXR SERIES

DELAY ON MAKE

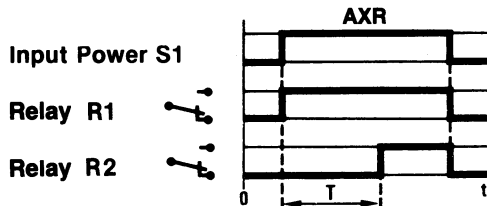
ELECTRONIC TIMER

UL-E80750 CSA-56339

- 1 Delayed SPDT and
- 1 Instantaneous SPDT
- 10 Amp Rated Relays
- Four Mounting Choices
- LED Relay Status Indicator



TIMERS

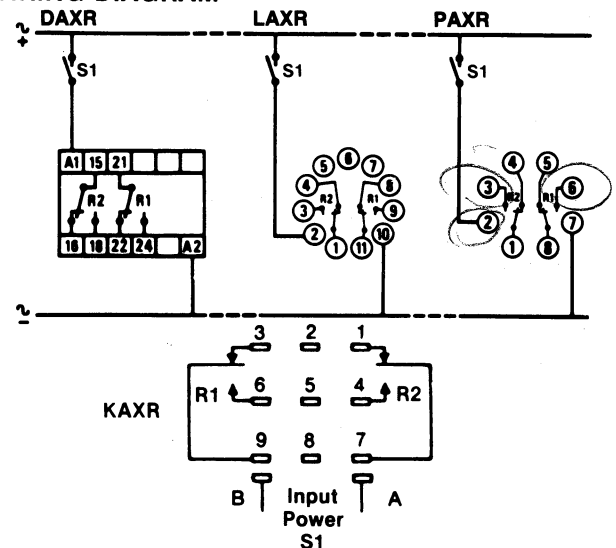


When input power (S1) is applied, relay R1 energizes immediately. Relay R2 energizes after the delayed period selected. Interrupt input power to repeat the cycle.

SPECIFICATIONS:

Input power	12 VDC, 24 VAC/DC, 48 VAC/DC, 110 VAC, 220 VAC, ± 15%, (50/60 Hz)
Maximum power consumption	24 VAC: 1.5VA
	48 VAC: 2VA
	110 VAC: 5VA
	220 VAC: 11VA
	12 VDC: 0.5W
	24 VDC: 0.8W
	48 VDC: 1.8W
Output	Two SPDT Relays
Contact material	Ag Cdo
Maximum loading	10A AC resistive
Maximum switching voltage	240 VAC
Relay maximum power rating	2400 VAC
Transient protection	2500 volts
Mechanical life of relay	30 × 10 ⁶ operations
Electrical life of relay	2 × 10 ⁵ at 2400 VA resistive load
Repetition Accuracy	± 0.5% at a constant ambient
Reset time	50 ms after timing
	100 ms during timing
Operating temperature	- 4°F to + 140°F
Weight	3.5 oz. (100 grams)

WIRING DIAGRAM



ORDERING INFORMATION:

