







Selection and ordering data

3RU11 thermal overload relays with screw-type terminals for mounting onto contactor<sup>1)</sup>, CLASS 10

Features and technical characteristics

- Auxiliary contacts: 1 NO + 1 NC
- Manual/automatic RESET
- Switching position indication
- TEST function
- STOP button
- Phase failure sensitivity
- Integrated, sealable cover
- CLASS 10

For 3RT1 contactor	Setting range	for mounting onto contactor <sup>1)</sup>		Weight approx			
		Order No.	List Price \$				
Size	A			kg			
<b>Size S00</b>							
	S00 (3RT101)	0.11 – 0.16	3RU11 16-0AB0	0.15			
		0.14 – 0.2	3RU11 16-0BB0				
		0.18 – 0.25	3RU11 16-0CB0				
		0.22 – 0.32	3RU11 16-0DB0				
		0.28 – 0.4	3RU11 16-0EB0	0.15			
		0.35 – 0.5	3RU11 16-0FB0				
		0.45 – 0.63	3RU11 16-0GB0				
		0.55 – 0.8	3RU11 16-0HB0				
		0.7 – 1	3RU11 16-0JB0	0.15			
		0.9 – 1.25	3RU11 16-0KB0				
		1.1 – 1.6	3RU11 16-1AB0				
		1.4 – 2	3RU11 16-1BB0				
1.8 – 2.5	3RU11 16-1CB0	0.15					
2.2 – 3.2	3RU11 16-1DB0						
2.8 – 4	3RU11 16-1EB0						
3.5 – 5	3RU11 16-1FB0						
4.5 – 6.3	3RU11 16-1GB0	0.15					
5.5 – 8	3RU11 16-1HB0						
7 – 10	3RU11 16-1JB0						
9 – 12	3RU11 16-1KB0						
<b>Size S0</b>							
	S0 (3RT102)	1.8 – 2.5	3RU11 26-1CB0	0.19			
		2.2 – 3.2	3RU11 26-1DB0				
		2.8 – 4	3RU11 26-1EB0				
		3.5 – 5	3RU11 26-1FB0				
		4.5 – 6.3	3RU11 26-1GB0	0.19			
		5.5 – 8	3RU11 26-1HB0				
		7 – 10	3RU11 26-1JB0				
		9 – 12.5	3RU11 26-1KB0				
		11 – 16	3RU11 26-4AB0	0.19			
		14 – 20	3RU11 26-4BB0				
		17 – 22	3RU11 26-4CB0				
		20 – 25	3RU11 26-4DB0				
<b>Size S2</b>							
	S2 (3RT103)	5.5 – 8	3RU11 36-1HB0	0.32			
		7 – 10	3RU11 36-1JB0				
		9 – 12.5	3RU11 36-1KB0				
		11 – 16	3RU11 36-4AB0	0.32			
		14 – 20	3RU11 36-4BB0				
		18 – 25	3RU11 36-4DB0				
		22 – 32	3RU11 36-4EB0				
		28 – 40	3RU11 36-4FB0	0.32			
		36 – 45	3RU11 36-4GB0				
		40 – 50	3RU11 36-4HB0				
		<b>Size S3</b>					
			S3 (3RT104)	18 – 25	3RU11 46-4DB0	0.55	
22 – 32	3RU11 46-4EB0						
28 – 40	3RU11 46-4FB0			0.55			
36 – 50	3RU11 46-4HB0						
45 – 63	3RU11 46-4JB0						
57 – 75	3RU11 46-4KB0						
70 – 90	3RU11 46-4LB0			0.55			
80 – 100 <sup>2)</sup>	3RU11 46-4MB0						

1) The 3RU11 overload relays can also be panel mounted using the appropriate adapters (see Accessories).

2) Overload relay > 100 A, see 3RB2.

For accessories, see page 3/11.  
For description, see page 3/8.  
For technical data, see pages 3/12-3/15.  
For circuit diagrams, see page 3/16.  
For dimension drawings, see page 3/17.



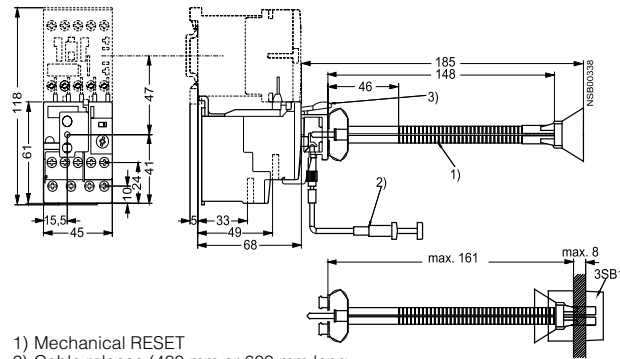
### Dimension drawings

#### Screw connection

Lateral clearance to grounded components: at least 6 mm.

#### 3RU11 16-..B0

Size S00 with accessories

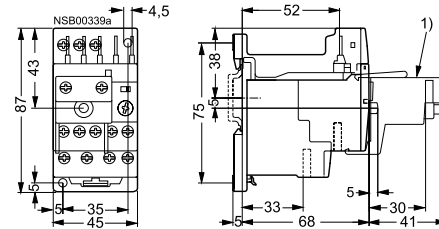


- 1) Mechanical RESET
- 2) Cable release (400 mm or 600 mm long, mounting on the front or laterally on the holder)
- 3) Holder for RESET

#### 3RU11 16-..B.

Size S00

with adapter for installation as a single unit with accessories

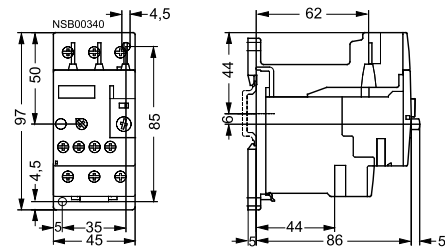


- 1) Module for remote RESET

#### 3RU11 26-..B.

Size S0

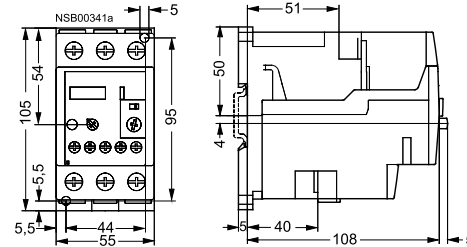
with adapter for installation as a single unit



#### 3RU11 36-..B.

Size S2

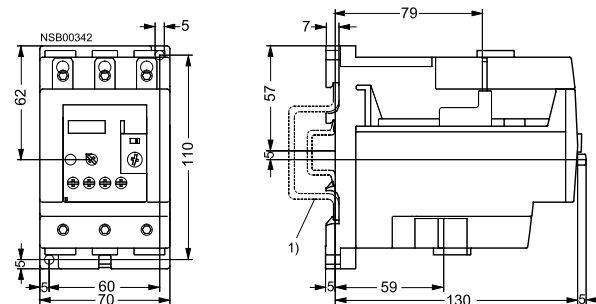
with adapter for installation as a single unit



#### 3RU11 46-..B.

Size S3

with adapter for installation as a single unit



- 1) For mounting on 35 mm standard mounting rail (15 mm deep) acc. to EN 50 022 or 75 mm standard mounting rail acc. to EN 50023

Dimension drawings "Contactor with built-on overload relay" see contactors and contactor combinations.