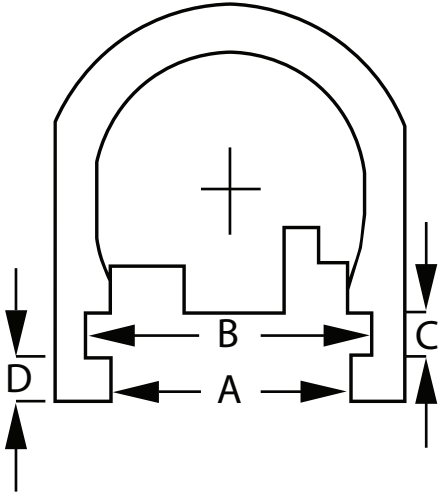




# Frame and Slide Fitment Work Sheet

Slide Back End View

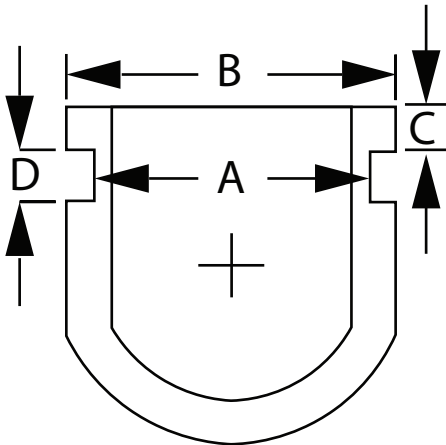


Your Slide Measurements

A \_\_\_\_\_  
 B \_\_\_\_\_  
 C \_\_\_\_\_  
 D \_\_\_\_\_

Measure your slide dimensions A-D and fill out on the left. The goal is for frame and slide to have .002-.003 running clearance.

Frame Front End View



Frame Blue Print Spec

A \_\_\_\_\_  
 B \_\_\_\_\_  
 C \_\_\_\_\_  
 D \_\_\_\_\_

A	.628	+ .000	-.003
B	.751	+ .000	-.003
C	.100	+ .000	-.002
D	.119	+ .002	-.000

**Notes:**