

# QUIK FOOT<sup>™</sup>

## VERSATILE FLASHED BASE PLATE

# INSTALLATION GUIDE

**REVISION:** 08/02/22

**VERSION:** V2.3

# QUIKFOOT

## INSTALLATION GUIDE



*CLICKING THE PAGE NAME WILL TAKE YOU TO THAT PAGE*

|  |                                |
|--|--------------------------------|
| <a href="#"><u>TABLE OF CONTENTS</u></a>       | <a href="#"><u>PAGE 01</u></a> |
| <a href="#"><u>FEATURES &amp; BENEFITS</u></a> | <a href="#"><u>PAGE 02</u></a> |
| <a href="#"><u>COMPONENTS</u></a>              | <a href="#"><u>PAGE 03</u></a> |
| <a href="#"><u>INSTALLATION</u></a>            | <a href="#"><u>PAGE 04</u></a> |
| <a href="#"><u>LINE DRAWINGS</u></a>           | <a href="#"><u>PAGE 06</u></a> |
| <a href="#"><u>SPECIFICATIONS</u></a>          | <a href="#"><u>PAGE 16</u></a> |

# QUIKFOOT

## INSTALLATION GUIDE



## QUIK FOOT

QuikFoot includes a base plate and uses two self-drilling attachment points for optimal pullout value. When paired with an EcoFasten compression bracket, the QuikFoot flashing creates a watertight seal that will maintain the roof's integrity.

## FEATURES

- Patented Watertight Technology
- Installs without removing shingles
- Can be used on slate roofs
- Two self-drilling screws provide optimal strength
- Compatible with a variety of compression brackets

FEATURES + BENEFITS

# QUIKFOOT

## INSTALLATION GUIDE



### SYSTEM COMPONENTS



**1. L-FOOT SCL-101 BLK 3"**  
(OTHER OPTIONS AVAILABLE)

**2. 5/16" SERRATED FLANGE NUT**

**3. 5/16" EPDM BONDED SEALING WASHER**

**4. EPDM SEALING WASHER**

**5. QF FLASHING AL BLK 8X12"**

**6. #15-13 SELF DRILLING FASTENER (2X)**

**7. QF BASE AL 1.25"**

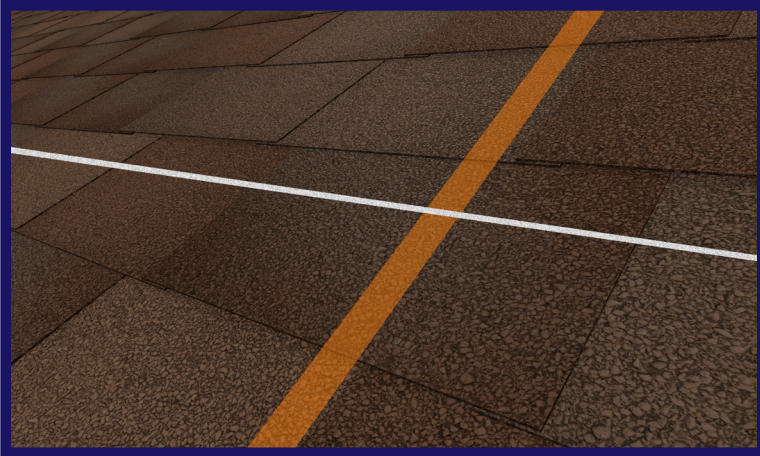
COMPONENTS

# QUIKFOOT

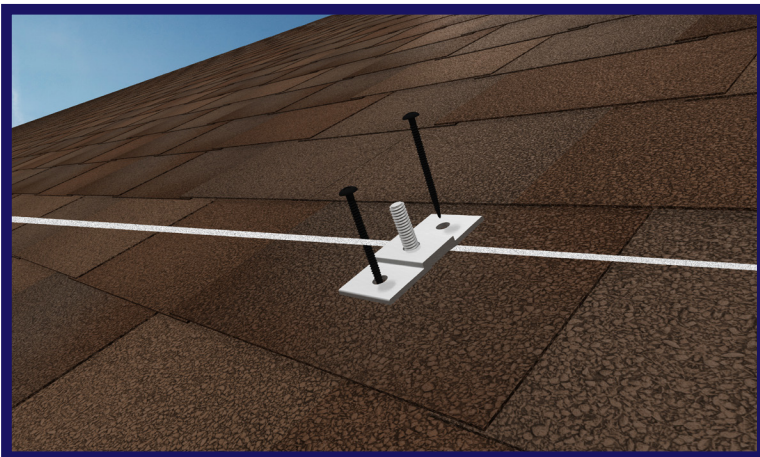
## INSTALLATION GUIDE



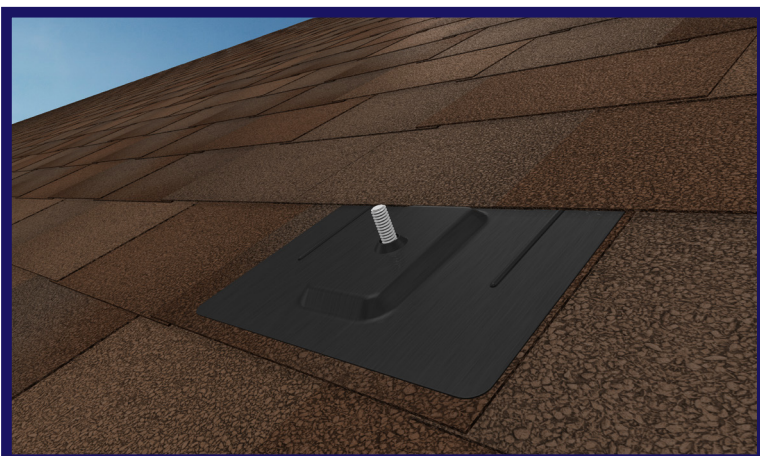
## INSTALLING QUIKFOOT



Snap horizontal chalk lines to mark the position of each row. Find the rafters and mark the position for installation.



Place the QF Base over the rafter vertically and screw down using two fasteners. The stud on the base plate should line up with the chalk line.



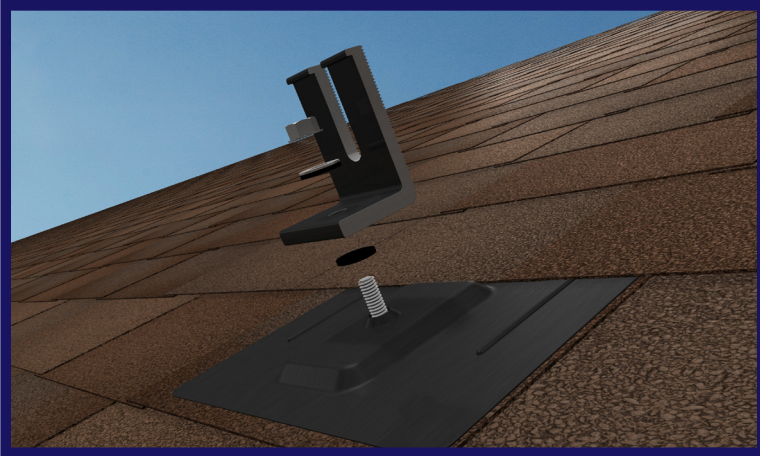
Slide the flashing over the base plate and under the row of shingles directly above the base plate. (If the course of shingles is elevated by the flashings, notching of the shingles is acceptable)

# QUIKFOOT

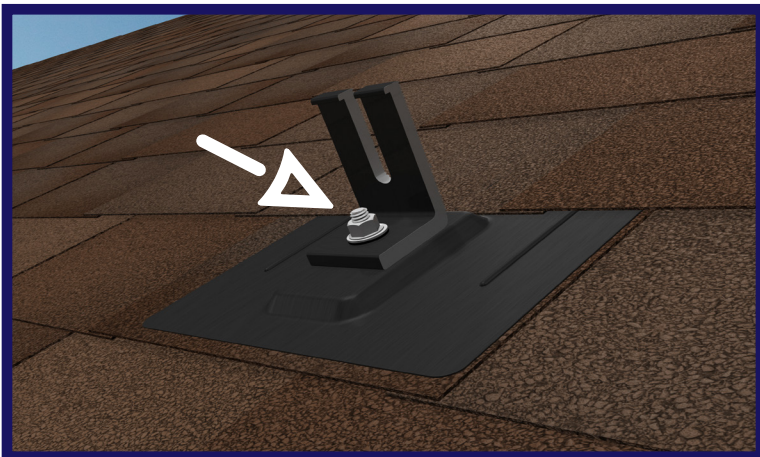
## INSTALLATION GUIDE



## INSTALLING QUIKFOOT



Place the bare EPDM washer over the stud, pushing it all the way down. Then place an EcoFasten compression bracket over the stud and bare EPDM washer, followed by the bonded sealing washer with the rubber side facing down.



Secure the bracket to the stud using the serrated flange nut and torque to 50-inch pounds.

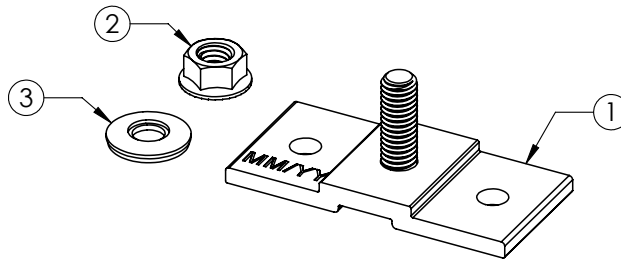
INSTALLATION

# QUIKFOOT INSTALLATION GUIDE



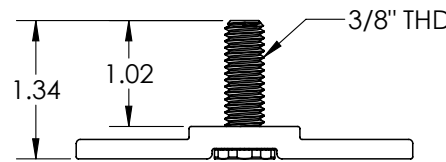
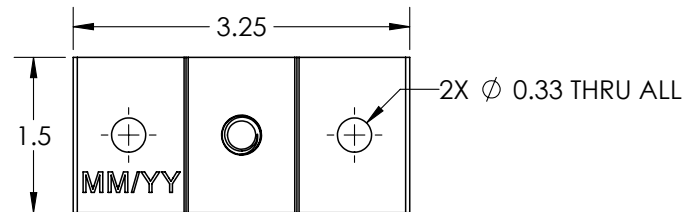
## CUT SHEET: QF BASE AL 1.25"

| PART NUMBER | DESCRIPTION      |
|-------------|------------------|
| 3012014     | QF BASE AL 1.25" |



| ITEM NO. | DESCRIPTION  |
|----------|--|
| 1        | QF BASE AL 1.25", ASSEMBLY                         |
| 2        | SS SERRATED FLANGE LOCK NUT, 3/8-16                |
| 3        | 3/8 STAINLESS STEEL AND EPDM BONDED SEALING WASHER |

1) QF BASE AL 1.25", ASSEMBLY



|          |                |
|----------|----------------|
| Material | Aluminum/Steel |
| Finish   | Mill           |

REV.- CS1

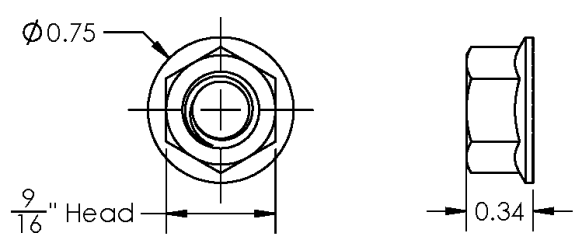
LINE DRAWINGS

# QUIKFOOT INSTALLATION GUIDE



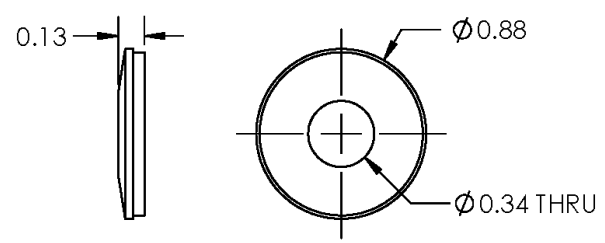
## CUT SHEET: QF BASE AL 1.25"

2) SS SERRATED FLANGE LOCK NUT, 3/8-16



|          |                 |
|----------|-----------------|
| Material | Stainless Steel |
| Finish   | Mill            |

3) 3/8 STAINLESS STEEL AND EPDM BONDED SEALING WASHER



|          |                      |
|----------|----------------------|
| Material | Stainless Steel/EPDM |
| Finish   | Mill                 |

REV.- CS1

LINE DRAWINGS

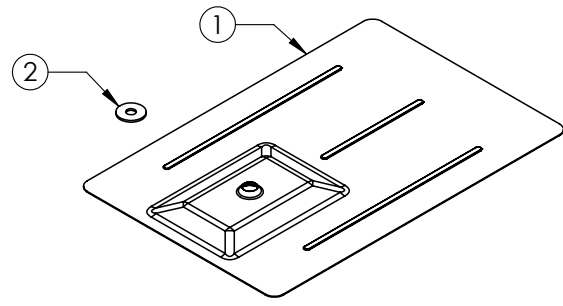


# QUIKFOOT INSTALLATION GUIDE



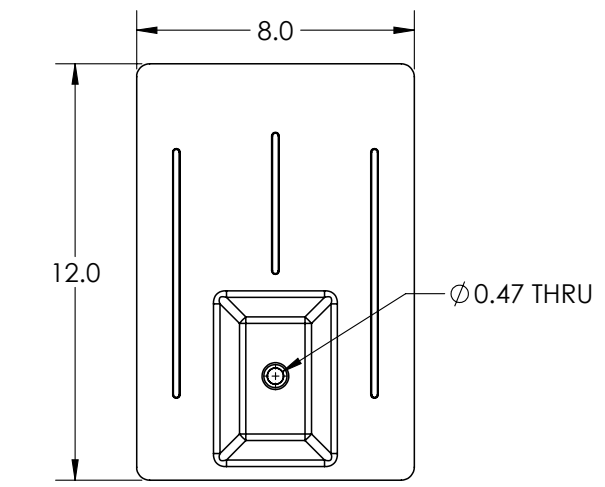
## CUT SHEET: QF FLASHING AL BLK 8X12

| PART NUMBER | DESCRIPTION              |
|-------------|--------------------------|
| 3012016     | QF FLASHING AL BLK 8X12" |



| ITEM NO. | DESCRIPTION                 |
|----------|-----------------------------|
| 1        | QFL 8X12 MATTE BLK FLASHING |
| 2        | EPDM SEALING WASHER         |

1) QFL 8X12 MATTE BLK FLASHING



|          |          |
|----------|----------|
| Material | Aluminum |
| Finish   | Black    |

REV.- CS1

LINE DRAWINGS

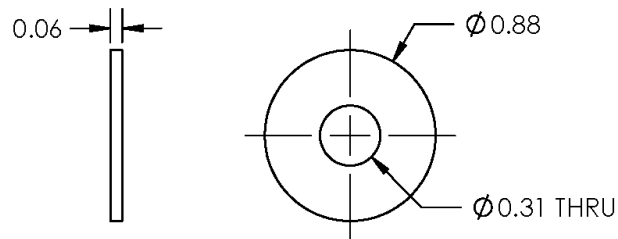
# QUIKFOOT

## INSTALLATION GUIDE



### CUT SHEET: QF FLASHING AL BLK 8X12

#### 2) EPDM SEALING WASHER



|          |       |
|----------|-------|
| Material | EPDM  |
| Finish   | Black |

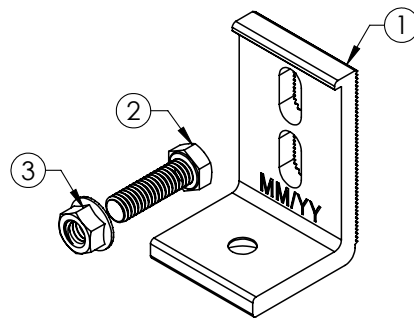
REV.- CS1

# QUIKFOOT INSTALLATION GUIDE



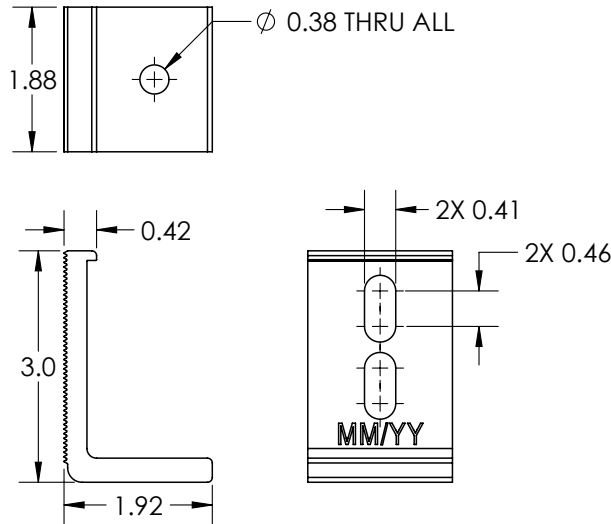
## CUT SHEET: L-FOOT L-102 BLK 3"

| PART NUMBER | DESCRIPTION         |
|-------------|---------------------|
| 3011015     | L-FOOT L-102 BLK 3" |



| ITEM NO. | DESCRIPTION   |
|----------|---|
| 1        | L-102-3 ANOD BLK                                      |
| 2        | SS HEX HD CAP SCREW, FULL THD, 3/8-16 UNC X 1.25 LONG |
| 3        | SS SERRATED FLANGE LOCK NUT, 3/8-16                   |

1) L-102-3 ANOD BLK



|          |          |
|----------|----------|
| Material | Aluminum |
| Finish   | Black    |

REV.- CS1

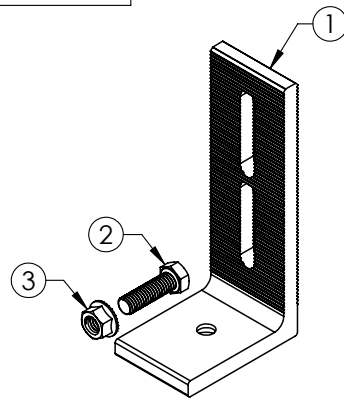
LINE DRAWINGS

# QUIKFOOT INSTALLATION GUIDE



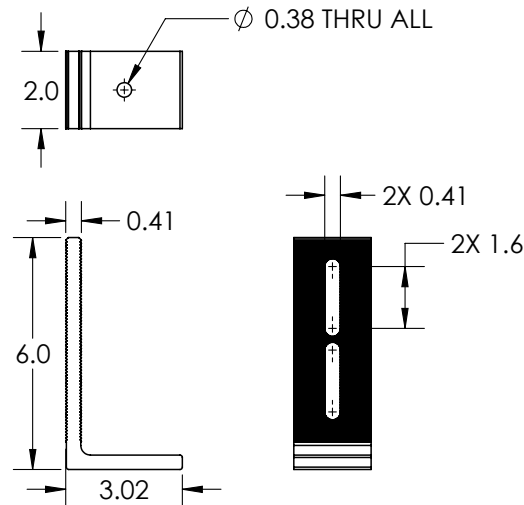
## CUT SHEET: L-FOOT L-102 MLL 6"

| PART NUMBER | DESCRIPTION         |
|-------------|---------------------|
| 3011016     | L-FOOT L-102 MLL 6" |



| ITEM NO. | DESCRIPTION   |
|----------|---|
| 1        | L-102-6   |
| 2        | SS HEX HD CAP SCREW, FULL THD, 3/8-16 UNC X 1.25 LONG |
| 3        | SS SERRATED FLANGE LOCK NUT, 3/8-16                   |

1) L-102-6



|          |          |
|----------|----------|
| Material | Aluminum |
| Finish   | Mill     |

REV.- CS1

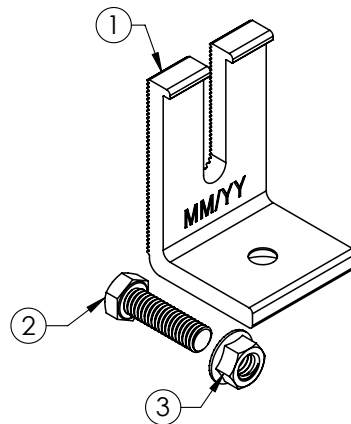
LINE DRAWINGS

# QUIKFOOT INSTALLATION GUIDE



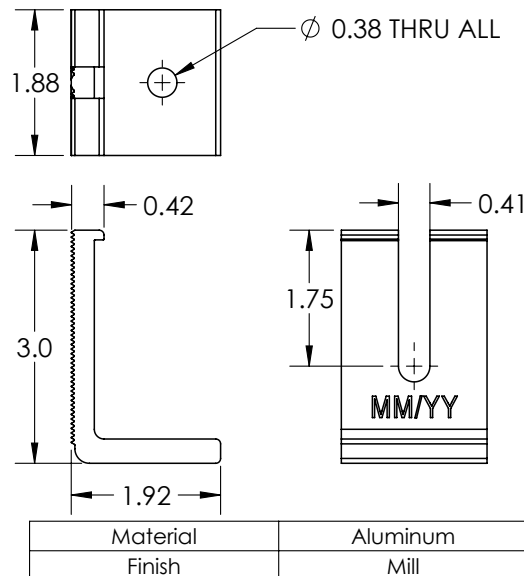
## CUT SHEET: L-FOOT SCL-101 MLL 3"

| PART NUMBER | DESCRIPTION           |
|-------------|-----------------------|
| 3011017     | L-FOOT SCL-101 MLL 3" |



| ITEM NO. | DESCRIPTION  |
|----------|--|
| 1        | L FOOT W/ STANDARD DIMPLE AND OPEN SLOT, 3 IN TALL MLL |
| 2        | SS HEX HD CAP SCREW, FULL THD, 3/8-16 UNC X 1.25 LONG  |
| 3        | SS SERRATED FLANGE LOCK NUT, 3/8-16                    |

1) L FOOT W/ STANDARD DIMPLE AND OPEN SLOT, 3 IN TALL MLL



REV.- CS1

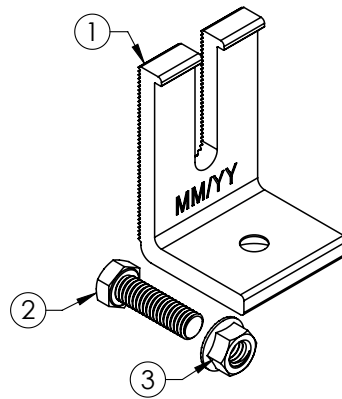
LINE DRAWINGS

# QUIKFOOT INSTALLATION GUIDE



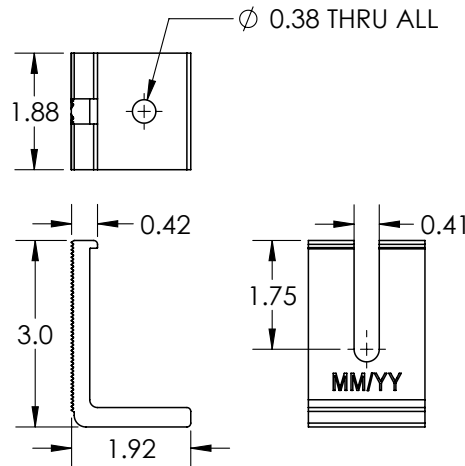
## CUT SHEET: L-FOOT SCL-101 BLK 3"

| PART NUMBER | DESCRIPTION           |
|-------------|-----------------------|
| 3011018     | L-FOOT SCL-101 BLK 3" |



| ITEM NO. | DESCRIPTION  |
|----------|--|
| 1        | L FOOT W/ STANDARD DIMPLE AND OPEN SLOT, 3 IN TALL BLK |
| 2        | SS HEX HD CAP SCREW, FULL THD, 3/8-16 UNC X 1.25 LONG  |
| 3        | SS SERRATED FLANGE LOCK NUT, 3/8-16                    |

1) L FOOT W/ STANDARD DIMPLE AND OPEN SLOT, 3 IN TALL BLK



|          |          |
|----------|----------|
| Material | Aluminum |
| Finish   | Mill     |

REV.- CS1

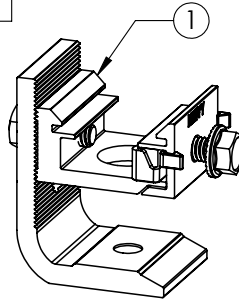
LINE DRAWINGS

# QUIKFOOT INSTALLATION GUIDE



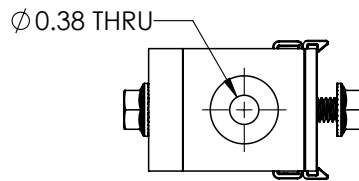
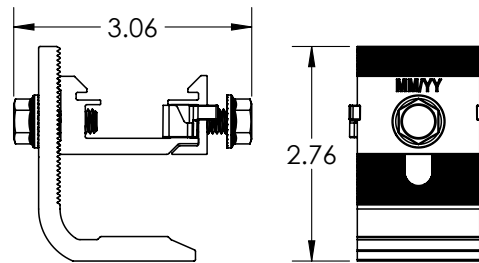
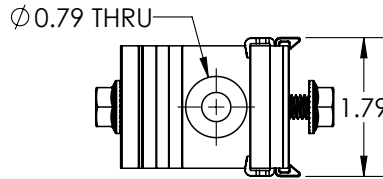
## CUT SHEET: CF UNIV L-FOOT MLL 3"

| PART NUMBER | DESCRIPTION           |
|-------------|-----------------------|
| 2012022     | CF UNIV L-FOOT MLL 3" |



| ITEM NO. | DESCRIPTION              |
|----------|--------------------------|
| 1        | CLICKFIT L FOOT ASSEMBLY |

1) CLICKFIT L FOOT ASSEMBLY



|          |                          |
|----------|--------------------------|
| Material | Aluminum/Stainless Steel |
| Finish   | Mill                     |

REV.- CS1

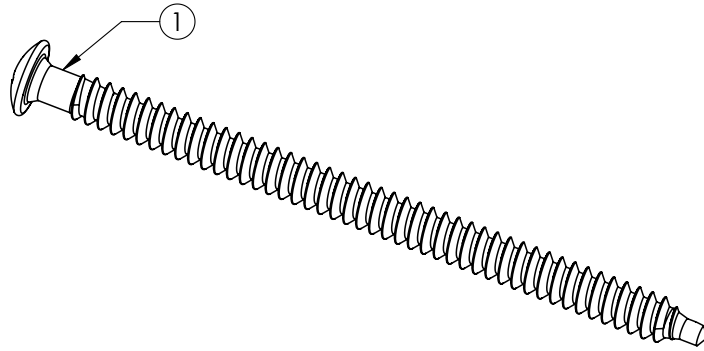
LINE DRAWINGS

# QUIKFOOT INSTALLATION GUIDE



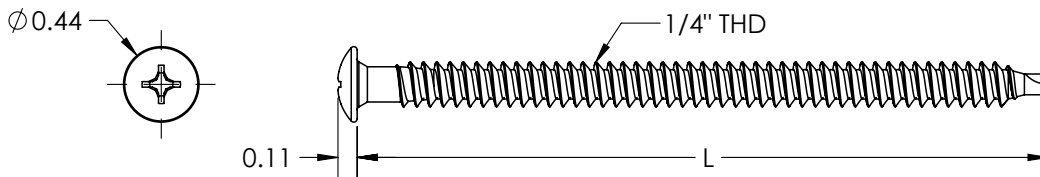
## DECK SCREW SS

| PART NUMBER | DESCRIPTION          | LENGTH (L) |
|-------------|----------------------|------------|
| 3016010     | DECK SCREW SS #15X2" | 2"         |
| 3016011     | DECK SCREW SS #15X3" | 3"         |
| 3016012     | DECK SCREW SS #15X4" | 4"         |



| ITEM NO. | DESCRIPTION                       |
|----------|-----------------------------------|
| 1        | ROOFING SCREW, DRILL POINT, BLACK |

1) ROOFING SCREW, DRILL POINT, BLACK



|          |       |
|----------|-------|
| Material | Steel |
| Finish   | Black |

REV.- CS1

LINE DRAWINGS



# QUIKFOOT

## INSTALLATION GUIDE



### SYSTEM COMPONENTS

1. **QF Base AL 1/25":**

Consists of (1) stainless steel base plate attachment bracket with (1) pre-installed stainless steel stud, (1) stainless steel serrated flange nut and (1) EPDM sealing washer. Base is made out of 6000 series aluminum.

2. **QF FLASHING AL BLK 8X12":**

Black finish (Kynar painted) .032 gauge aluminum, embossed.

3. **Fastener:**

Self-drilling #15 roofing screws are available from Ecofasten in 2", 3" and 4" lengths. Third party fasteners that have been approved by the engineer of record are permissible.

4. **Recommended Sealant:**

If required by roof manufacturer, sealant shall be roof manufacturer approved.

### DELIVERY / STORAGE / HANDLING

Inspect material upon delivery. Notify manufacturer within 24 hours of any missing or defective items. Keep material dry, covered and off the ground until installed.

### PATENTS

Visit [www.efpatents.com](http://www.efpatents.com) for patent information.

# QUIKFOOT

## INSTALLATION GUIDE



### DESIGN REQUIREMENTS

1. Bracket spacing to be recommended by project engineer.
2. Install a minimum of two fasteners per base plate.
3. It is important to design new structures or assess existing structures to make sure they withstand retained loads.

### EXAMINATION

1. Substrate: Inspect structure on which brackets are to be installed and verify that it will withstand any additional loading that may be incurred.
2. Notify General Contractor of any deficiencies before installing EcoFasten Solar brackets.
3. Verify that roofing material has been installed correctly prior to installing solar attachment bracket.

### INSTALLATION

Comply with architectural drawings and project engineer's recommendation for location of system. Comply with Manufacturer's written installation instructions for installation and layout.

SPECIFICATIONS