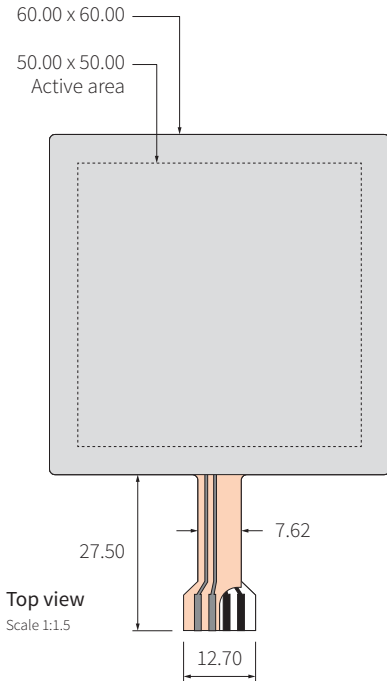


3D Single-Touch Trackpad

TPE-800 *PadZ*

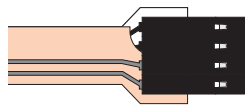
Mechanical data



Active area	50.00 x 50.00mm	Thickness (inc. 0.05mm adhesive)	0.85mm
Mode	Thru	Spacer height	0.225mm
Sensor overall width	60.00mm	Tail width	(max.) 12.70mm
Sensor overall length	87.50mm	Tail length	27.50mm

Interconnect option and part number

TPE-800C



Nicomatic crimp P/N# 14106-12
with Nicomatic housing P/N# OF04

Device characteristics

Characteristic	Description	Value	Notes
Actuation force	Force to reach 10MΩ	< 20g	Average of 100 samples
Force range	linear region of log/log	Up to 1kg	Higher forces can be achieved with custom sensor and actuation methods
Long term drift	1kg for 48hrs	< 2%	Per log time
Single part repeatability	100 actuations of 1kg	5%	1 standard deviation/mean
Part to part repeatability	100 sensors same batch	+/- 10%	1 standard deviation/mean
Low temp. storage	-20°C for 250hrs	5%	Avg. change in resistance of 5 sensors
High temp. storage	+85°C for 250hrs	1%	Avg. change in resistance of 5 sensors
High humidity storage	+85°C/85%RH for 250hrs	5%	Avg. change in resistance of 5 sensors
Lifecycle durability (1M)	1kg force at 3Hz	4%	Avg. change in resistance of 4 sensors
Hysteresis	100 actuations of 1kg	5%	Avg. change in resistance of 100 samples
Operational temp. range	100 cycles at 0.5kg	-20 to +60°C	
Linear resistance	Resistance between pins 1 and 2, or 3 and 4	300Ω +/- 15%	Average of 100 parts same batch

Note: All values typical, and quoted at 10N applied force unless otherwise stated. Force dependant on actuation interface, mechanics, touch location, and measurement electronics.

CONTACT

Tangio Printed Electronics

100-55 Gostick Place
North Vancouver, BC
Canada
V7M 3N2

+1.800.567.9835 - Toll free (US & Canada)

+1.604.988.1125 - Direct dial

www.tangio.ca

General
info@tangio.ca

Regional

americas@tangio.ca	- The Americas
emea@tangio.ca	- Europe, Middle East & Africa
apac@tangio.ca	- Asia Pacific

© Tangio Printed Electronics, a division of Sytek Enterprises Inc.
Tangio reserves all rights in this information and in its commercial use.
This information is supplied for reference only and is not warranted.