

ShowerTek®

HOT LOOK™

HEATED, FOG PROOF SHOWER MIRROR



See Clear - Look Hot!

Showerhead Not Included

Please read and save these instructions.

Model CV3

Limited 1 Year Warranty

Showertek® warrants that for the period of one year this product will be free from defects in material and workmanship. Showertek®, at its option, will repair or replace this product or any component of the product found to be defective during this warranty period. Replacement will be made with a new or remanufactured product or component. If the product is no longer available, replacement may be made with a similar product of equal or greater value. This is your exclusive warranty.

This warranty is valid for the original retail purchaser from the date of initial retail purchase and is not transferable. Keep the original sales receipt. Proof of purchase is required to obtain warranty service. Showertek® dealers, service centers, or retail stores selling Showertek® products do not have the right to alter, modify or in any way change the terms and conditions of this warranty.

This warranty does not cover normal wear of parts or damage resulting from any of the following: negligent use or misuse of the product, use contrary to the operating instructions, disassembly, repair or alteration by anyone other than Showertek® or an authorized service center (this includes damage due to use of tools or harsh chemicals). Further, the warranty does not cover Acts of God, such as fire, flood, hurricanes or tornadoes.

Showertek® shall not be liable for any incidental or consequential damages caused by the breach of any express or implied warranty. Except to the extent prohibited by applicable law, any implied warranty or merchantability or fitness for a particular purpose is limited in duration to the duration of the above warranty. Some states, provinces or jurisdictions do not allow the exclusion or limitation of incidental or consequential damages or limitations on how long an implied warranty lasts, so the above limitations or exclusions may not apply to you. This warranty gives you specific legal rights and you may also have other rights which vary from state to state or province to province.

HOW TO OBTAIN WARRANTY SERVICE

Attach a tag to the product that includes your name, address, daytime telephone number and description of the problem. Include a copy of the original sales receipt. Carefully package the product and send either by UPS or Parcel Post with shipping and insurance prepaid to:

For products purchased in the United States: Showertek, Inc.
2557 Napa Valley Corporate Drive
Suite F
Napa, CA 94558-6295

If you have any questions regarding this warranty please call 1-800-776-6364 or write to: Showertek, Inc. 2557 Napa Valley Corporate Drive Suite F Napa, CA 94558-6295

MADE IN CHINA
© 2007 Showertek, Inc. All Rights Reserved.

PRODUCT INFORMATION



Guaranteed Fog Free

Installed properly, a trickle of shower water will be diverted from the shower stream, sprayed on the back of the mirror and will then flow out of the bottom of the mirror to the shower floor. This trickle of diverted shower water will keep the mirror fog free no matter how hot you make your shower.

Free-Spinning Connector

Makes mirror installation easy. Allows mirror to hang on either right or left side of showerhead.

Shower Flow Control Valve

Reduces water flow through the showerhead down to a trickle. Helps save water while shaving, facial cleansing and soaping up.

If valve is used for pausing, no remixing of hot and cold water is needed once full flow is reestablished.

Flexible Arm

The adjustable arm allows you to easily move the mirror into the most comfortable position for good viewing.

Tempered Glass Safety Mirror

Do not use abrasive cleansers to clean the mirror. Clean only with nonabrasive cleansers and a soft cloth.

Keep water droplets from spotting the mirror surface by wiping the mirror dry with a towel after each use.

Teflon® tape

Teflon® tape is included for sealing the threads of the mirror-to-shower-wall plumbing connection.

Mirror Flow Control Valve

Turns on and off the trickle of diverted shower water used by the mirror to stay fog free.

IMPORTANT: Valve must be in OPEN position for proper mirror defogging.

Valve is in OPEN position when water drips from mirror bottom while shower water is flowing.

Razor Hanger

Razor hanger can be snapped into any of the four drainage holes in the back of the mirror to obtain the most desired razor hanging location.

SAVE TIME - REGISTER YOUR PRODUCT ON-LINE!

www.showertek.com

HOT LOOK™
Fog Proof Shower Mirror
Model CV3



How did you hear about this product?

Newspaper Store Catalog On-Line

Did you: Purchase the showerhead for your own use?

Receive this showerhead as a gift?

UNITED STATES RESIDENTS ONLY

Warranty Registration Card

Your ShowerTek® Clear View™ Fog Free Shower Mirror comes with a limited one year quality guarantee on materials and workmanship, as described in this instruction booklet. To register your warranty, please fill in the information requested below and return it to us.

Where did you purchase this product?

(If from a store, please specify the store and the department)

Your comments are appreciated.

Date of Purchase month day year

Name _____

Address _____

City _____ State _____

Zip _____

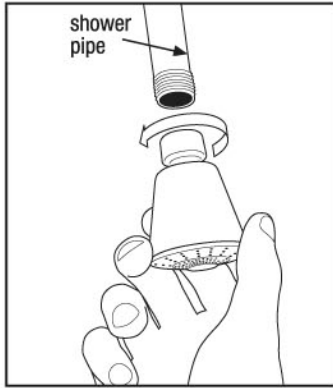
Phone

Age: 18-21 22-25 26-29 30-39 40-49 50+
please circle

Sex: Male Female

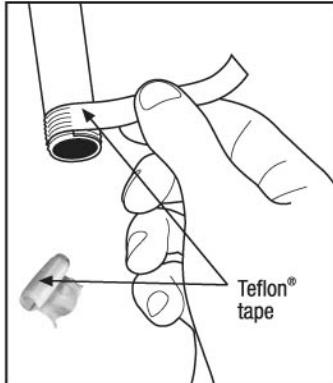
Cut along dotted line - Be sure to retain instructions for future reference.

INSTALLATION



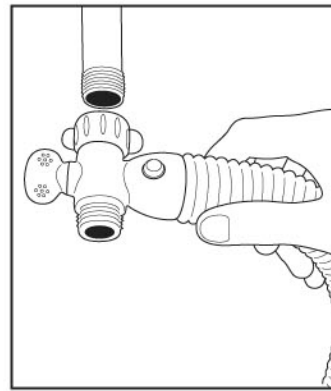
1. Remove Showerhead From Shower Arm

Pliers may be required to loosen showerhead. If pliers are needed, place a soft cloth between the pliers and the showerhead plumbing connector to prevent marring the connector's surface.



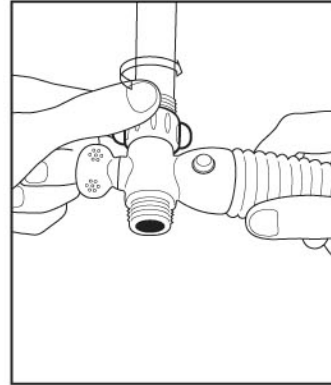
2. Seal Shower Arm Connection

Apply several turns of included Teflon® tape to seal shower arm threads.



3. Align Mirror Connector

Carefully align mirror connector with the threaded shower arm and hold the mirror as steady as possible.



4. Connect Mirror

Thread mirror onto shower arm by turning the free-spinning mirror connector clockwise. This connection can be loosened in order to adjust the mounted position of the mirror relative to the shower arm. Securely tighten once the desired mounting position has been reached.

NEED HELP? HAVE A PRODUCT QUESTION?

1-800-776-6364
9am - 5pm Pacific Time

www.showertek.com

Due to continuing improvements, actual product may differ slightly from instructional photos.

Showertek

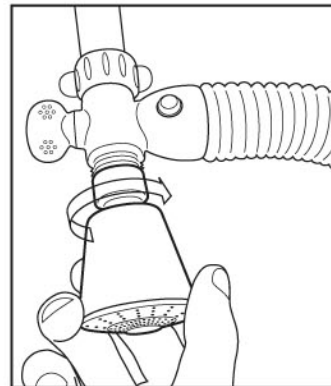
Warranty Instructions -

Fill out information on reverse side

Cut out warranty card

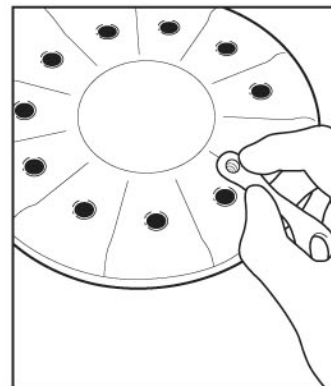
Place in stamped envelope addressed to:

Showertek, Inc.
Product Registration
2557 Napa Valley Corporate Drive
Suite F
Napa, CA
94558



5. Connect Showerhead

Replace the showerhead by screwing the showerhead connector onto the threaded shower mirror fitting. If pliers are needed to tighten the showerhead, place a soft cloth between the pliers and the showerhead connector to prevent marring.



6. Attach Razor Hanger

To attach the razor hanger snap it to one of the holes on the back that will allow it to hang below the bottom of the mirror. The razor hanger can be easily repositioned by removing it and inserting it into a different hole.



CARE

1. To prevent spotting on the mirror surface and frame use a soft bath towel to gently wipe away water droplets after each use.
2. To clean, use a nonabrasive liquid glass cleaner and a soft clean cloth.
3. Never use abrasive cleaners as they will scratch the mirror glass and frame finish.