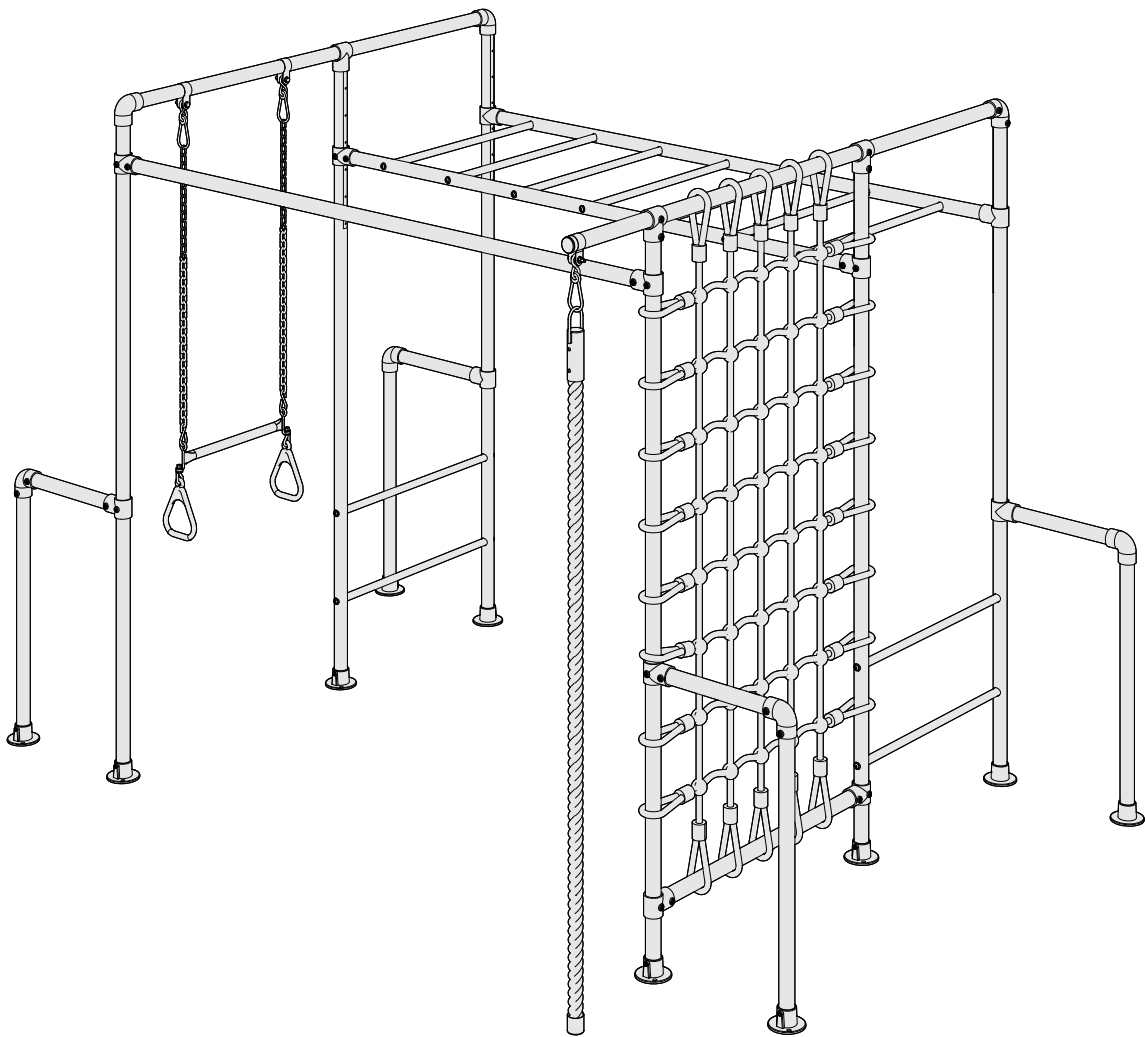


FUNKY Monkey bars[®]



THE CHEEKY LITTLE MONKEY (WITHOUT NETBALL HOOP) ASSEMBLY INSTRUCTIONS

CONTENTS

Warnings	Page 1
Load Rating	Page 3
Dimensions	Page 4
Assembly Tips	Page 5
Inventory	Page 7
Assembly Instructions	Page 9
Ladder Bar Assembly	Page 9
Leg Assembly	Page 11
Twirly Whirly Bar Assembly	Page 15
Main Monkey Bar Assembly	Page 16
Swing Bar Assembly	Page 18
Maintenance	Page 24

WARNING

PLEASE CAREFULLY READ ALL INFORMATION CONTAINED IN THIS ASSEMBLY MANUAL BEFORE YOU INSTALL AND USE YOUR FUNKY MONKEY BARS®.

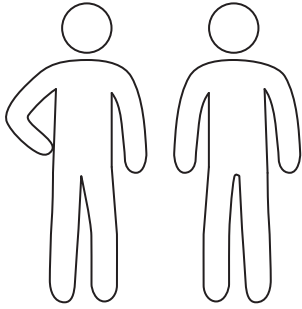
SAFETY NOTICE

1. Any person handling or using the Funky Monkey Bars® products must follow the instructions as described in this document. The person in charge of assembling and using the equipment must ensure that the recommendations for use given in this document are seen by all users.
2. Only use the Funky Monkey Bars® after they have been fully assembled and after checking that the fittings are tightened properly (*refer to page 5 - Correct Tightening Method*).
3. DO NOT install your Funky Monkey Bars® over concrete, asphalt, packed earth, wood decking or any other hard surface. A fall onto a hard surface can result in serious injury or death.
4. Inspect all grub screws, bolts and nuts at the beginning of each play session to ensure your Funky Monkey Bars® are tight and secure.
5. Ensure all tubes are fully inserted into fittings until you hear the magic "CLUNK" sound.
6. Ensure your Funky Monkey Bars® are properly secure at ALL times. Pegs are in place and inserted fully into the ground.
7. DO NOT exceed the maximum load/weight limit as recommended by Funky Monkey Bars®.
8. Children should be supervised by an adult at all times.
9. Installing a gym/crash mat under the fall zone area of your Funky Monkey Bars® would be recommended for children learning this new skill. This will reduce the chance of injury and build the child's confidence while they build strength and master the skill.
10. Ensure you have thoroughly read your assembly and installation instructions and viewed our on-line installation videos at <https://www.funkymonkeybars.com/blogs/installation-maintenance-videos>
11. DO NOT climb, sit or stand on top of the monkey bar (horizontal ladder) section.
12. DO NOT jump from the top of any section of the monkey bar.
13. DO NOT use your Funky Monkey Bars® when wet as the steel will be slippery.
14. DO NOT attach items to your frame that are not designed specifically to be used with Funky Monkey Bars®, especially lower quality products that have not been approved by Funky Monkey Bars®.
15. Ensure the height of your Funky Monkey Bars® (horizontal ladder) are set at a level that is age appropriate.
16. DO NOT install your Funky Monkey Bars® over or near objects that could interfere with users in an unsafe way. Maintain a clear area around your Funky Monkey Bars®.
17. DO NOT use your Funky Monkey Bars® while under the influence of drugs and alcohol.
18. Wear clothing free of drawstrings, hooks, loops or anything that could get caught while using your Funky Monkey Bars® and result in entanglement and/or strangulation.

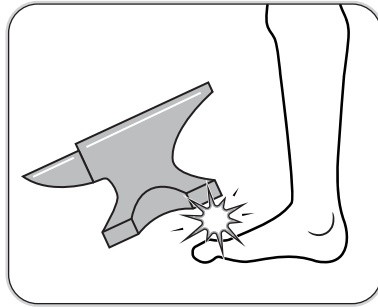
ASSEMBLY

1. Keep small children away from the Funky Monkey Bars® during assembly.
2. Do not attempt to use the Funky Monkey Bars® until it is completely assembled and every fitting is tight and secured.
3. Installation typically takes 2-4 hours to complete. Two people are recommended for assembly.
4. Ensure all fittings are tightened to the correct tightening method as described on page 5.
5. Assembly should be carried out on clean, dry, level surface

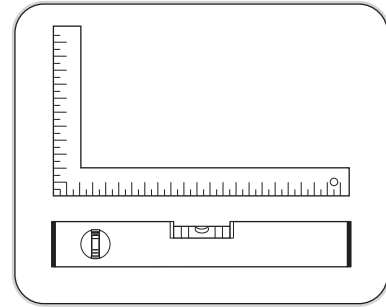
Please refer to the video section on the Funky Monkey Bars® website for more handy tips and assembly instructions at <http://www.funkymonkeybars.com/pages/videos>



Assembly requires 2 adults.



Heavy items !



Work on flat level surface.

LOCATION

1. A safe fall zone around your Funky Monkey Bars® is essential. A minimum distance of 1.5m to 2m (5 ft to 6.5ft) is recommended around the elevated hanging points of your Funky Monkey Bars®.
2. Place your Funky Monkey Bars® on level ground, away from any structure or obstruction such as a fence, garage, house, overhanging branches, laundry lines or electrical wires and remove any obstructions beneath your Funky Monkey Bars®.
3. Ensure your Funky Monkey Bars® are positioned away from retaining walls, pool fences, structures and other play equipment. Maintain a clear space around the whole perimeter of your Funky Monkey Bars®.
4. Place your Funky Monkey Bars® on the most level surface available.

MAINTENANCE

1. At the beginning of each heavy play session we recommend the following maintenance processes be performed on your Funky Monkey Bars®:
 - Tighten all bolts, grub screws and applicable hardware (as per page 3)
 - Lubricate all metallic moving parts as per instructions (flying fox, swing hooks etc)
 - Check all protective coverings on bolts, pipes, edges and corners. Replace if they are loose, cracked or missing.
 - Check all moving parts including swing seats, shackles, snap hooks, chains and trolleys for wear, rust, or other deterioration. Replace as needed.
2. Twice a month during play season we would recommend the following maintenance processes be performed on your Funky Monkey Bars®:
 - Tighten all connections and hardware
 - Check all protective coverings on bolts, pipes, edges and corners. Replace if they are loose, cracked or missing.
3. Once a month during play season we would recommend the following maintenance processes be performed on your Funky Monkey Bars®:
 - Lubricate all metallic moving parts as per instructions (flying fox, swing hooks etc). If swings start to squeek then lubricate swing hooks.
 - Check all moving parts including swing seats, ropes, chains and trolleys for wear, rust, or other deterioration. Replace as needed.
 - Owners shall be responsible for maintaining the legibility of any warning labels.

For additional information concerning your Funky Monkey Bars®, please contact our customer service team or check our website for any important updates. Phone -1300 912 198 or www.funkymonkeybars.com



QUALITY & INDEPENDENT TESTING

At Funky Monkey Bars® we take the quality of our designs and safety very seriously. All Funky Monkey Bars® frames go through a stringent, independent structural testing process prior to being made available for release to our customers.

Our frames are designed within the parameters of the Australian Standard for Playground Equipment AS4685.1:2014.

The structural integrity of our frames has been tested for performance through a combination of engineering calculations and physical testing. The tests have been performed by independent, certified structural engineers in accordance with Australian Standard for Playground Equipment AS4685.1:2014 and European Standards EN1176-1:2008.

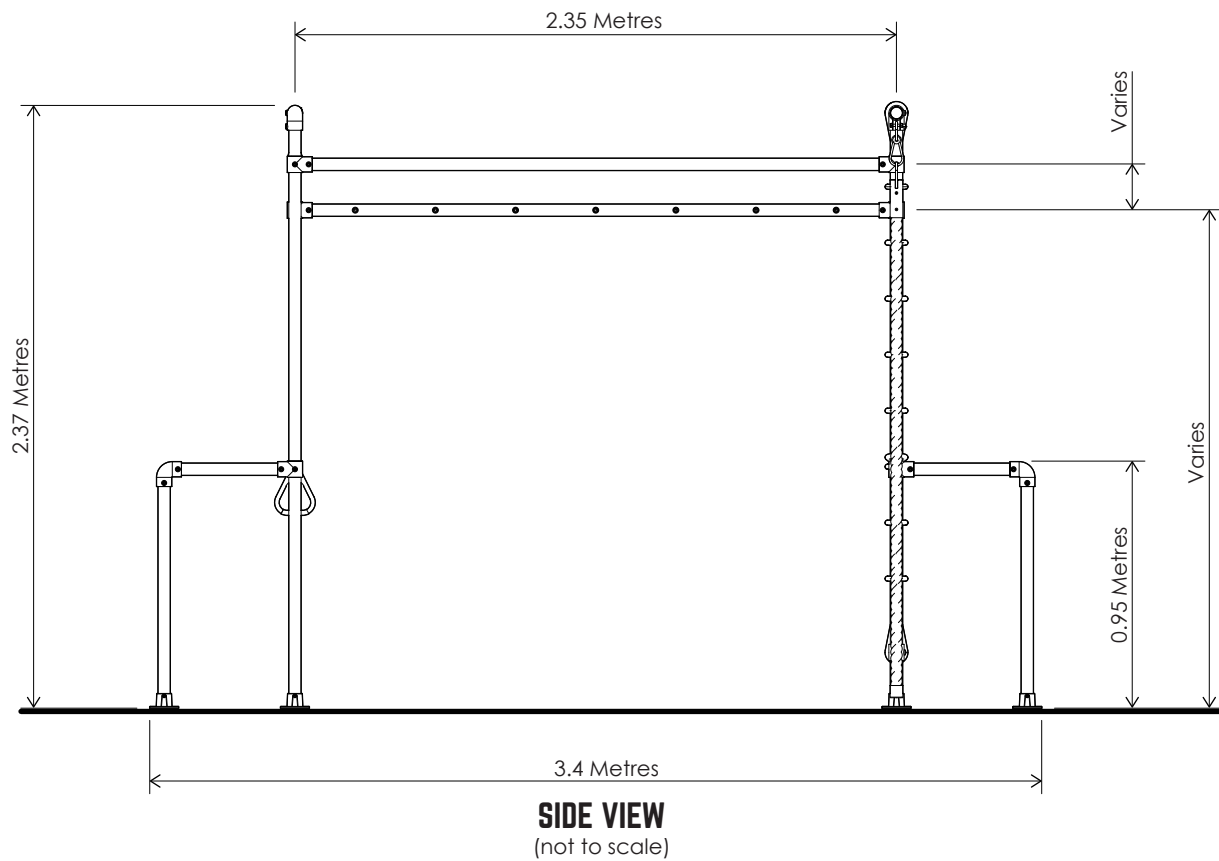
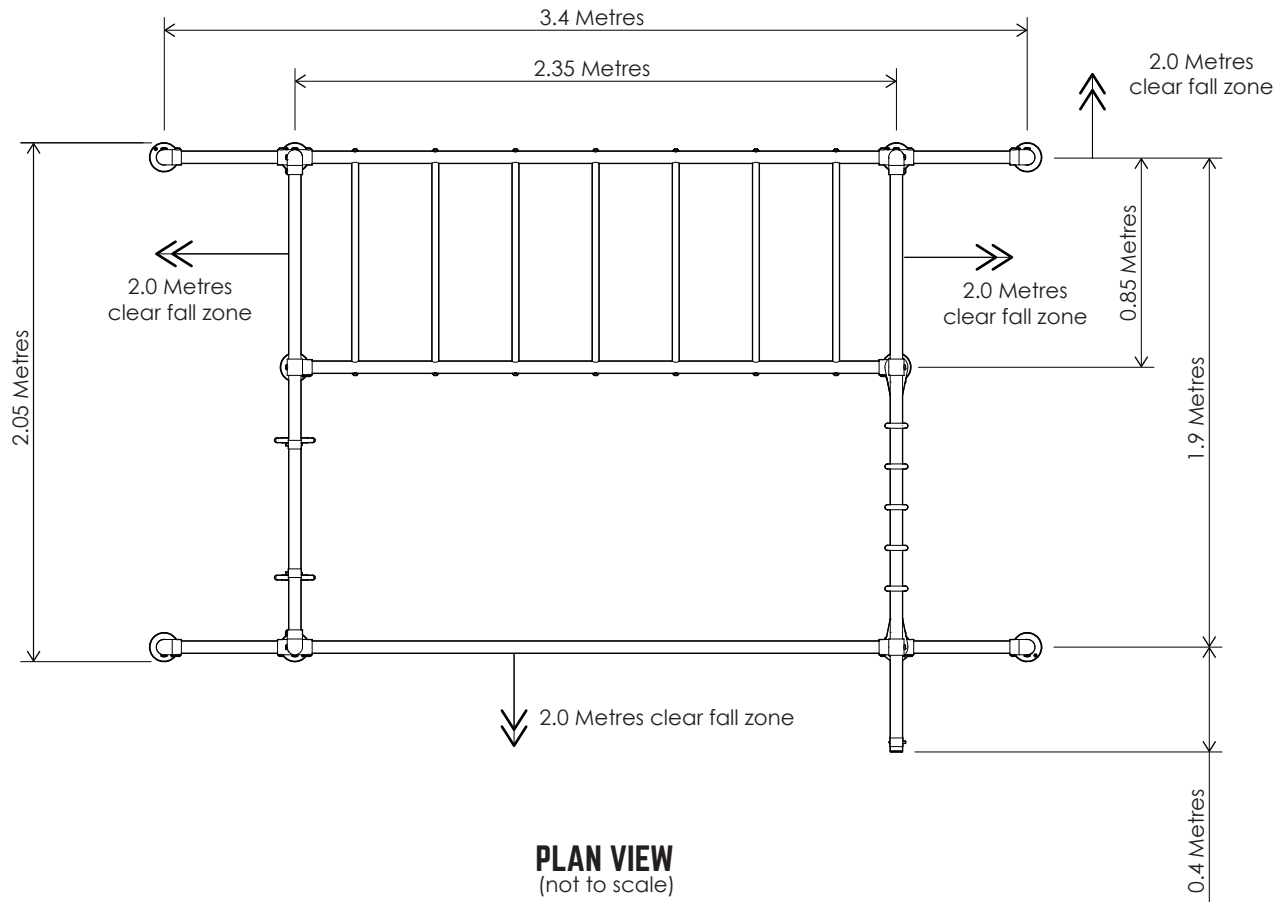
The independent testing conducted on The Cheeky Little Monkey certified the frame to a load rating of 1403kgs or 23 users.

LOAD TESTING CERTIFICATION				
DATE OF TEST	MODEL	NUMBER OF USERS	USER LOAD (KG)	LOAD RATING (KG)
4 April 2019	Cheeky Little Monkey	23	61	1403
I hereby confirm all testing was undertaken in accordance with Physical Testing of Structural Integrity requirements of AS 4685.1: 2014 App C / EN 1176-1:2008 ^o except where noted below;				
COMMENTS: N/A				
APPROVED BY: Funky Monkey Bars® 			WITNESSED BY: Independent Engineer 	
DATE : 4 April 2019			DATE : 4 April 2019	

DIMENSIONS

FUNKY MONKEY BARS® CHEEKY LITTLE MONKEY OVERALL DIMENSIONS

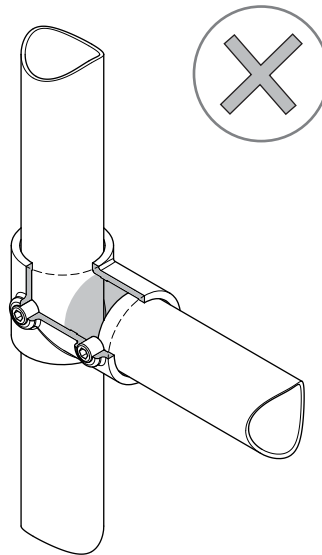
A minimum of 2.0 Metres clear fall zone
is recommended around the elevated
hanging points of your Funky Monkey Bars®.



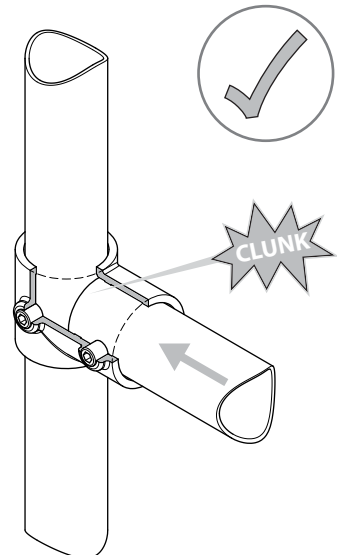
ASSEMBLY TIPS

CORRECT INSERTION INTO FITTINGS - (INDICATIVE DIAGRAM SHOWN)

All tubes must be fully inserted until contact is made with adjoining tube.

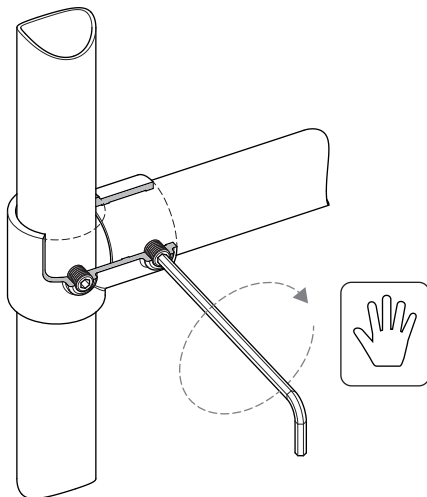


Gap.

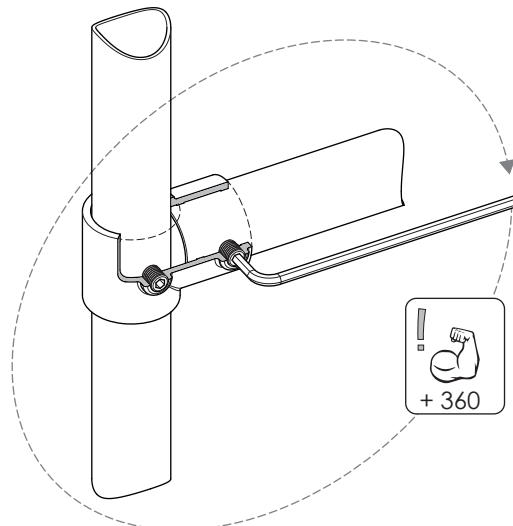


No gap.

CORRECT TIGHTENING METHOD OF GRUB SCREWS - (INDICATIVE DIAGRAM SHOWN)



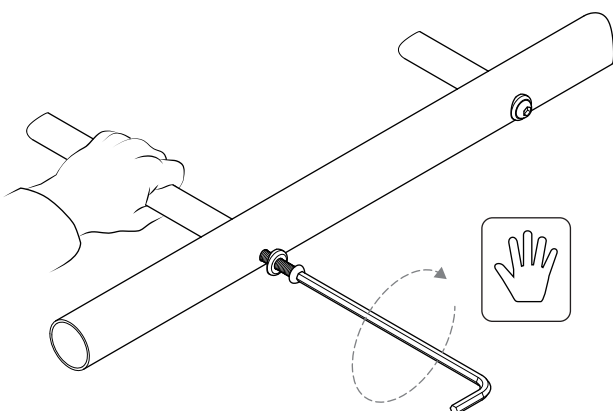
1. With long end of allen key, hand tighten grub screw as much as possible.



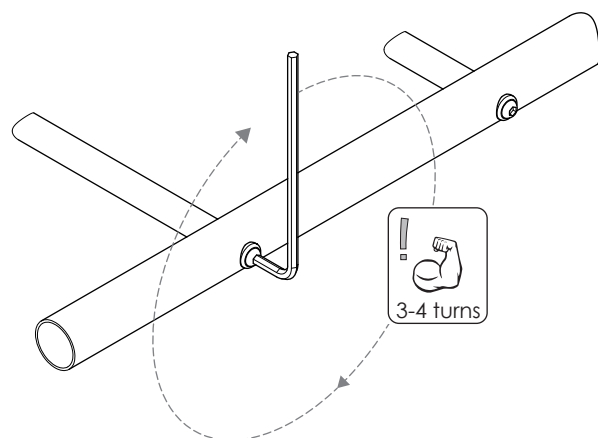
2. Using other end of the allen key do one full 360 degree turn as a minimum, use muscles!



CORRECT TIGHTENING METHOD OF RUNG BOLTS - (INDICATIVE DIAGRAM SHOWN)



1. With long end of allen key, hand tighten bolt hard up against washer and outside of tube. Hold rung to avoid rotation.

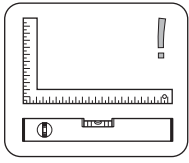


2. Using short end of the allen key fully tighten, approximately 3-4 full turns .

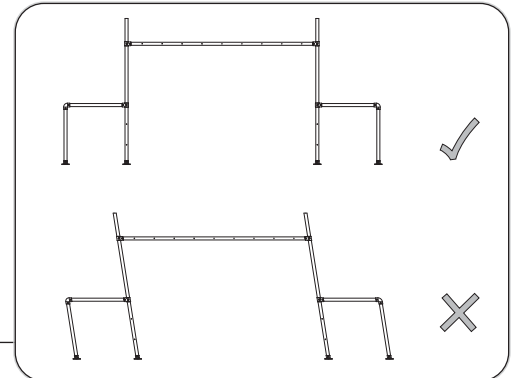
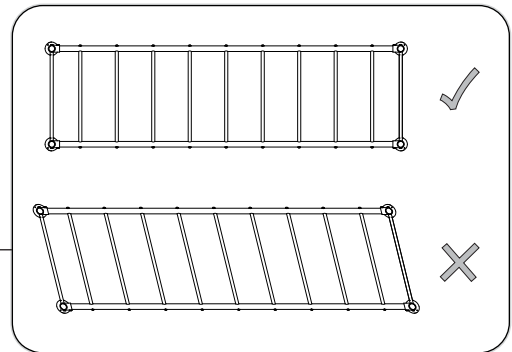
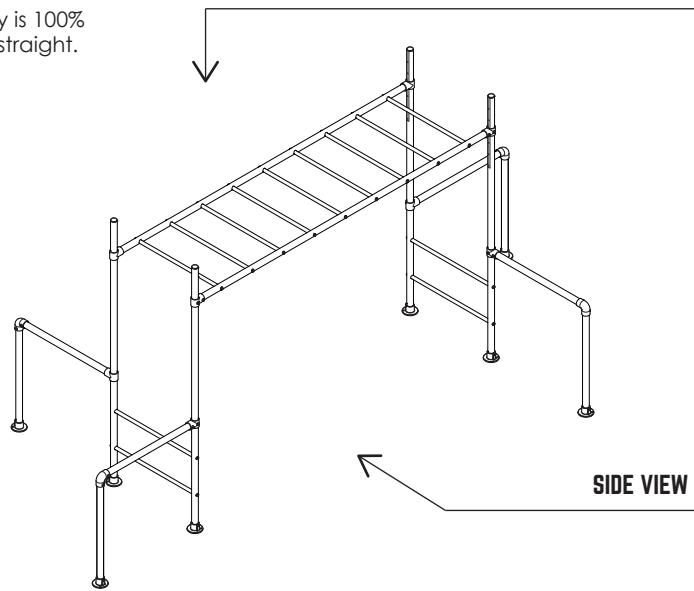


ASSEMBLY TIPS (CONTINUED)

IT IS CRITICAL YOUR MAIN FRAME IS 100% SQUARE AND LEVEL (INDICATIVE DIAGRAM SHOWN)



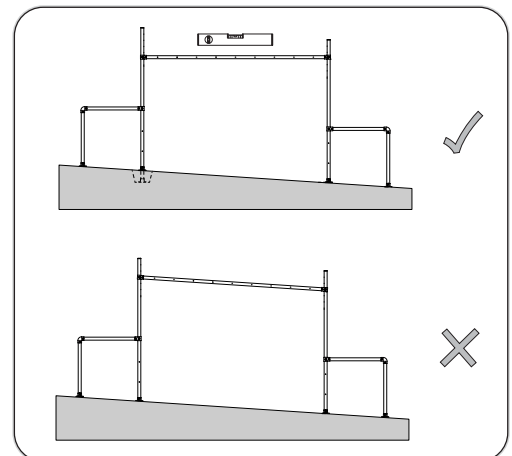
Check assembly is 100% level, square & straight.



If your frame is not straight or level remove pegs, loosen grub screws, re-adjust re-tighten and re-peg the frame.

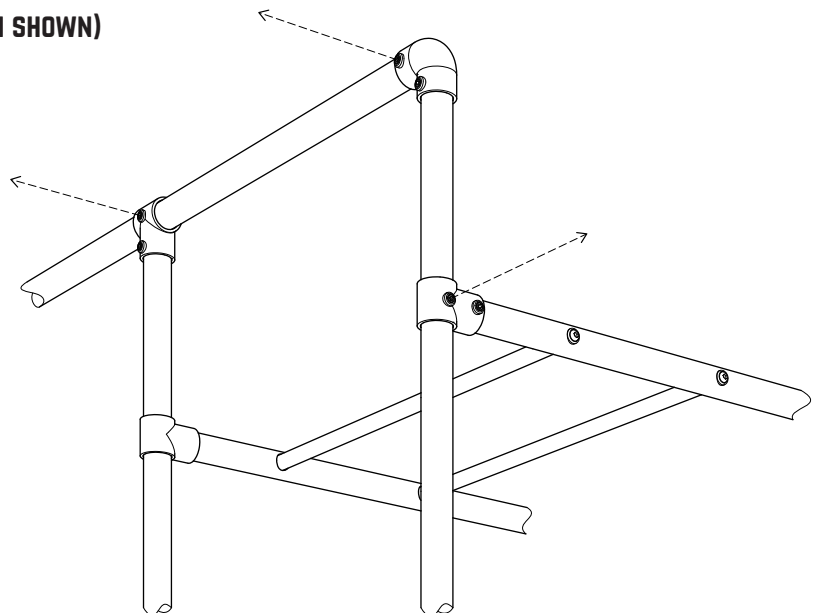
INSTALLATION ON A SLOPE

If your frame is being installed on a slope ensure the monkey ladder bar is level. Either install at different heights on the legs or dig down at one end until level.



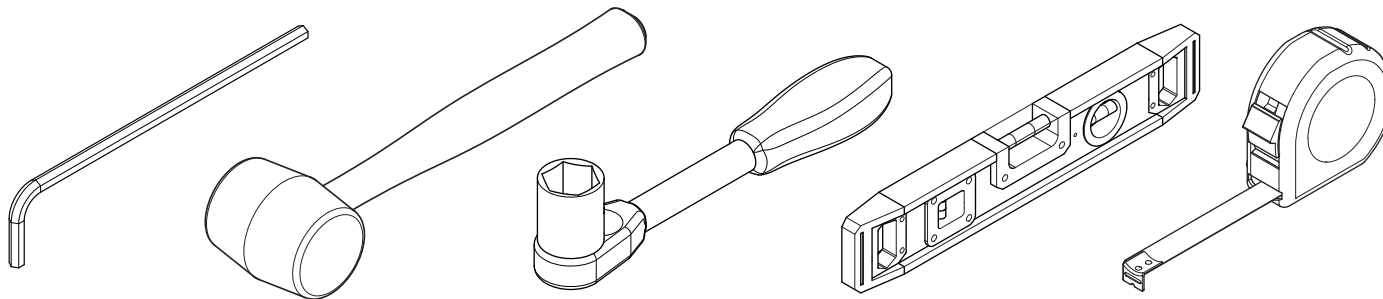
TYPICAL FITTING ORIENTATION (INDICATIVE DIAGRAM SHOWN)

Unless otherwise stated all grub screws and fittings should face downwards and outwards. This will reduce weathering damage, help with assembly and ease of maintenance.



INVENTORY

TOOLS REQUIRED FOR INSTALLATION



1x
8mm Allen key
(Included)

1x
Soft Hammer
(Not included)

1x
17mm Ratchet
(Not included)

1x
Spirit Level
(Not included)

1x
Tape Measure
(Not included)

TUBES

1x 50Dia. x 1900mm
Swing Tube Short

50Dia. x 450mm **4x**
Horizontal Short Twirly Tube

4x 50Dia. x 2300mm
Swing/Leg Tube/ Accessories

50Dia. x 1040mm **1x**
Cargo Tube

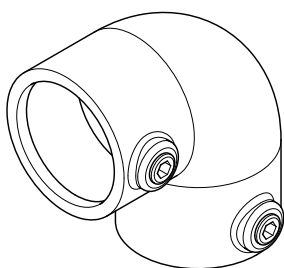
4x 50Dia. x 2300mm
Leg Tube

50Dia. x 900mm **4x**
Vertical Twirly Tube

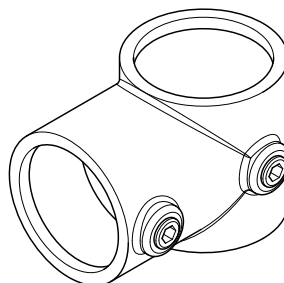
2x 50Dia. x 2300mm
7 Rung Ladder Tube

25Dia. x 850mm **11x**
Rung Tube

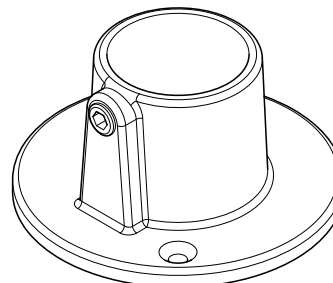
FITTINGS



7x
Elbow
D-125



15x
Short Tee
D-101



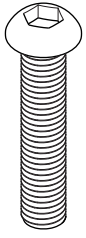
10x
Base Plate
D-131



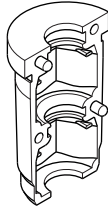
10x
Peg

INVENTORY (CONTINUED)

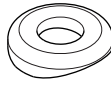
HARDWARE



23x
M10 Bolt



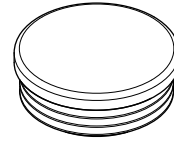
46x
Rung Insert



23x
Washer



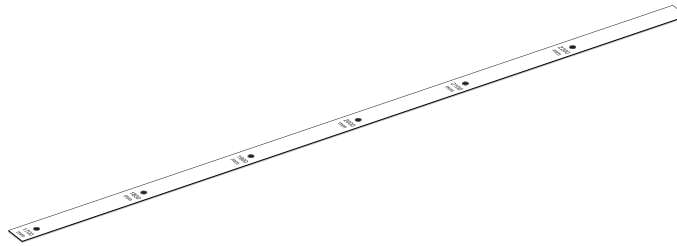
46x
M10 Hex Nut



1x
Plastic End Cap



1x
Manufacture Sticker



4x
Height Sticker

COMPONENTS (ACCESSORIES)

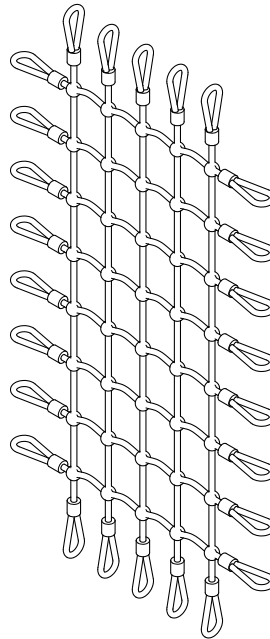
3x
Swing Hooks



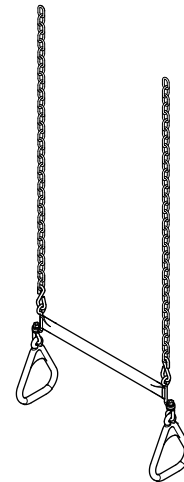
1x
2.3m
Jungle Rope



1x
Cargo Net



1x
Trapeze

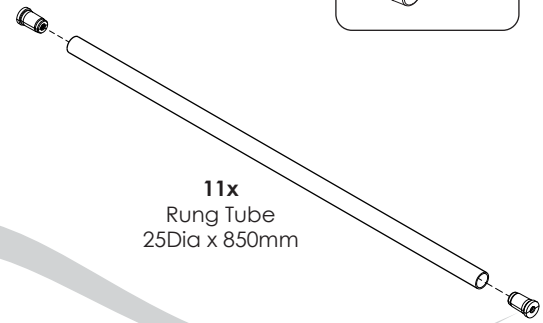
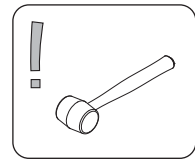
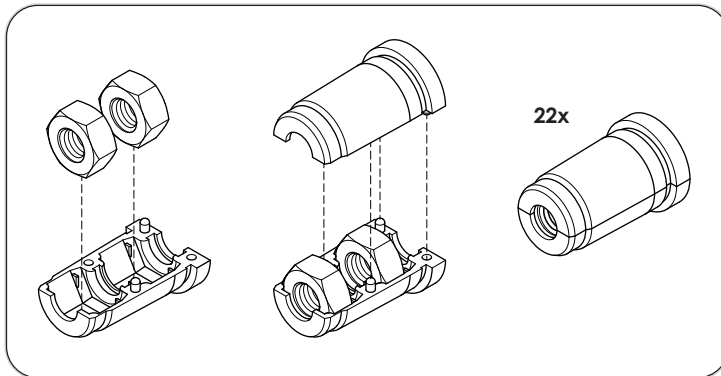


One of the best things about a Funky Monkey Bar is the ability to add new equipment and accessories as your child and family grows. You can swap or add accessories to your existing frame, or add extra frames that will give you more versatility to attach equipment. Check out what we've got in store now at...

WWW.FUNKYMONKEYBARS.COM

ASSEMBLY INSTRUCTIONS - LADDER BAR ASSEMBLY

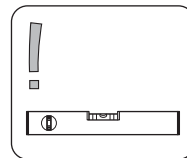
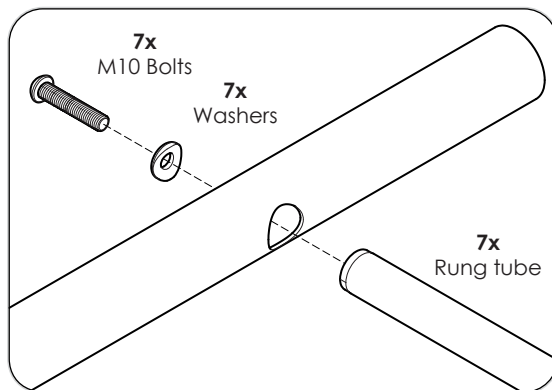
1 RUNG ASSEMBLY (X22)



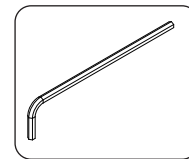
1. Assemble plastic rung inserts as shown above.

2. Push inserts into both ends of all rungs.

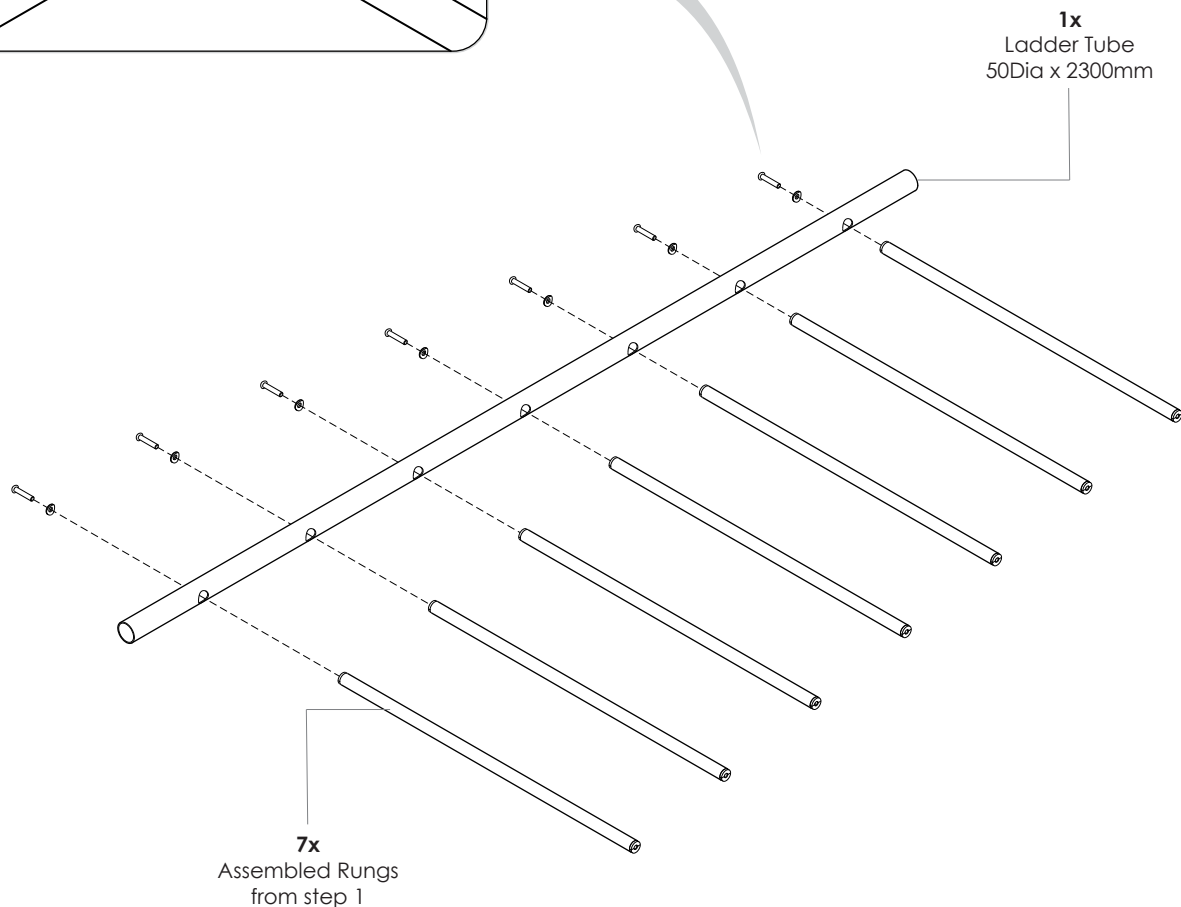
2 MONKEY BAR LADDER ASSEMBLY



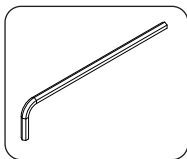
1. Assemble on flat surface.



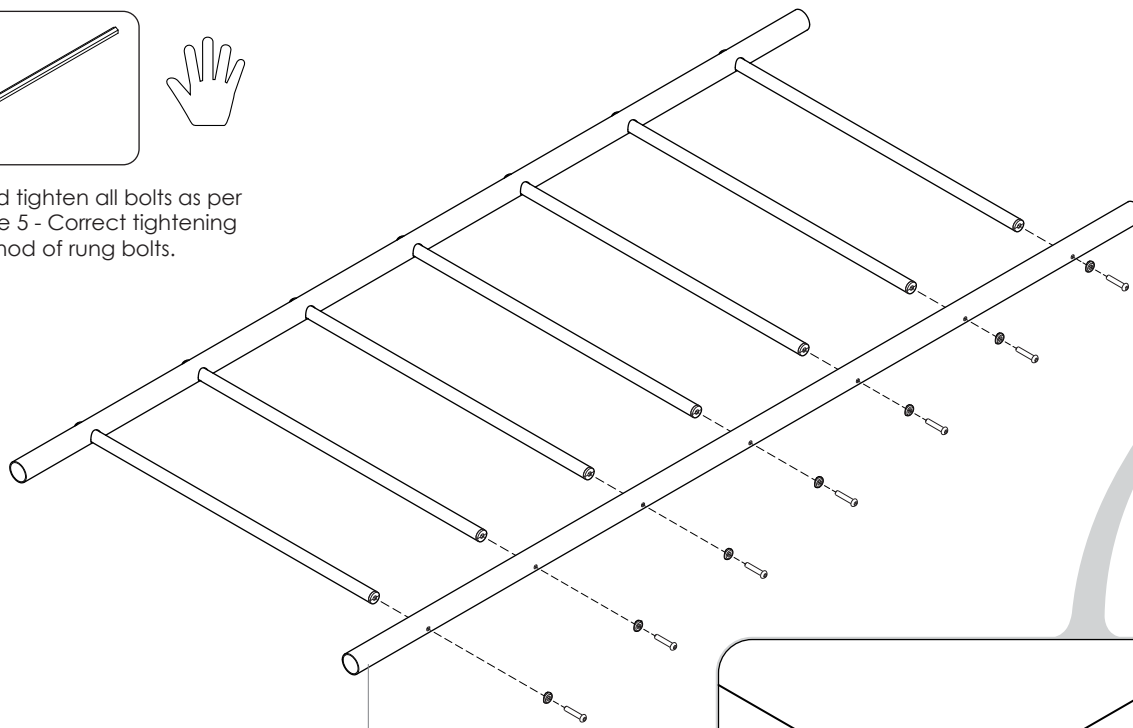
2. Hand tighten all bolts as per page 5 - Correct tightening method of rung bolts.



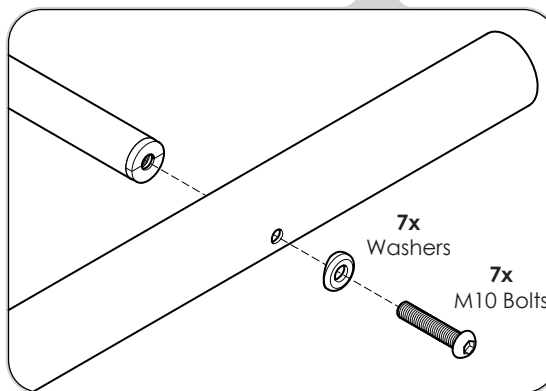
3 ATTACH SECOND LADDER TUBE



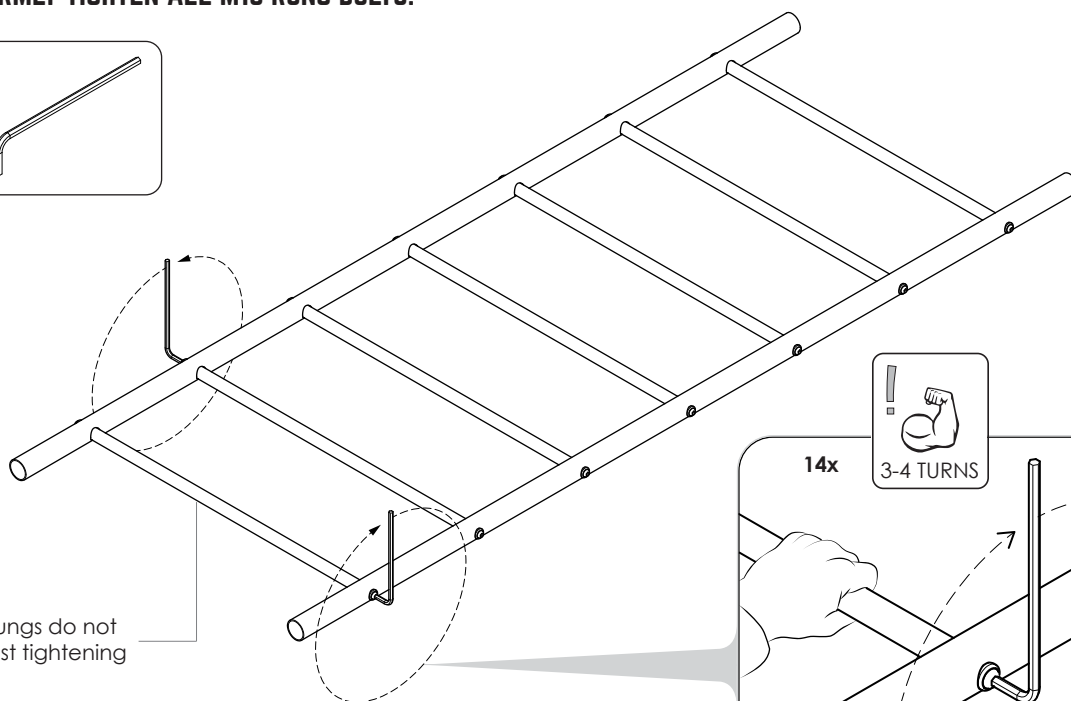
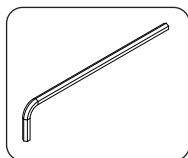
1. Hand tighten all bolts as per page 5 - Correct tightening method of rung bolts.



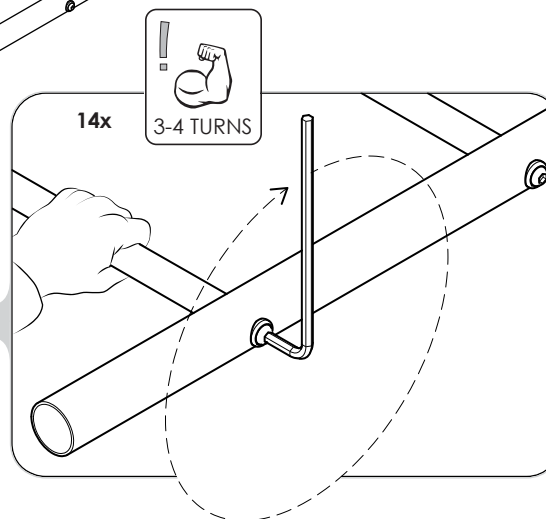
1x
7 Rung
Ladder Tube
50Dia x 2300mm



4 FIRMLY TIGHTEN ALL M10 RUNG BOLTS.

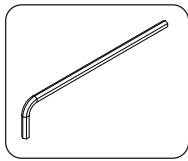


Ensure rungs do not spin whilst tightening

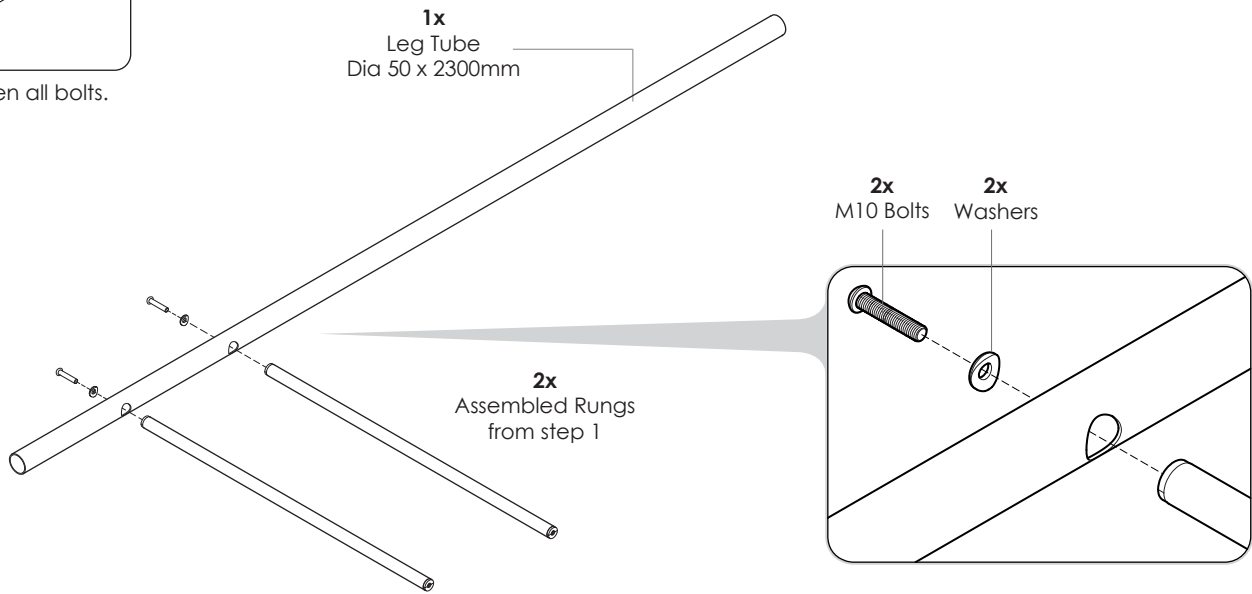


ASSEMBLY INSTRUCTIONS - LEG ASSEMBLY

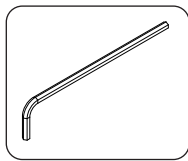
5 INSERT RUNGS



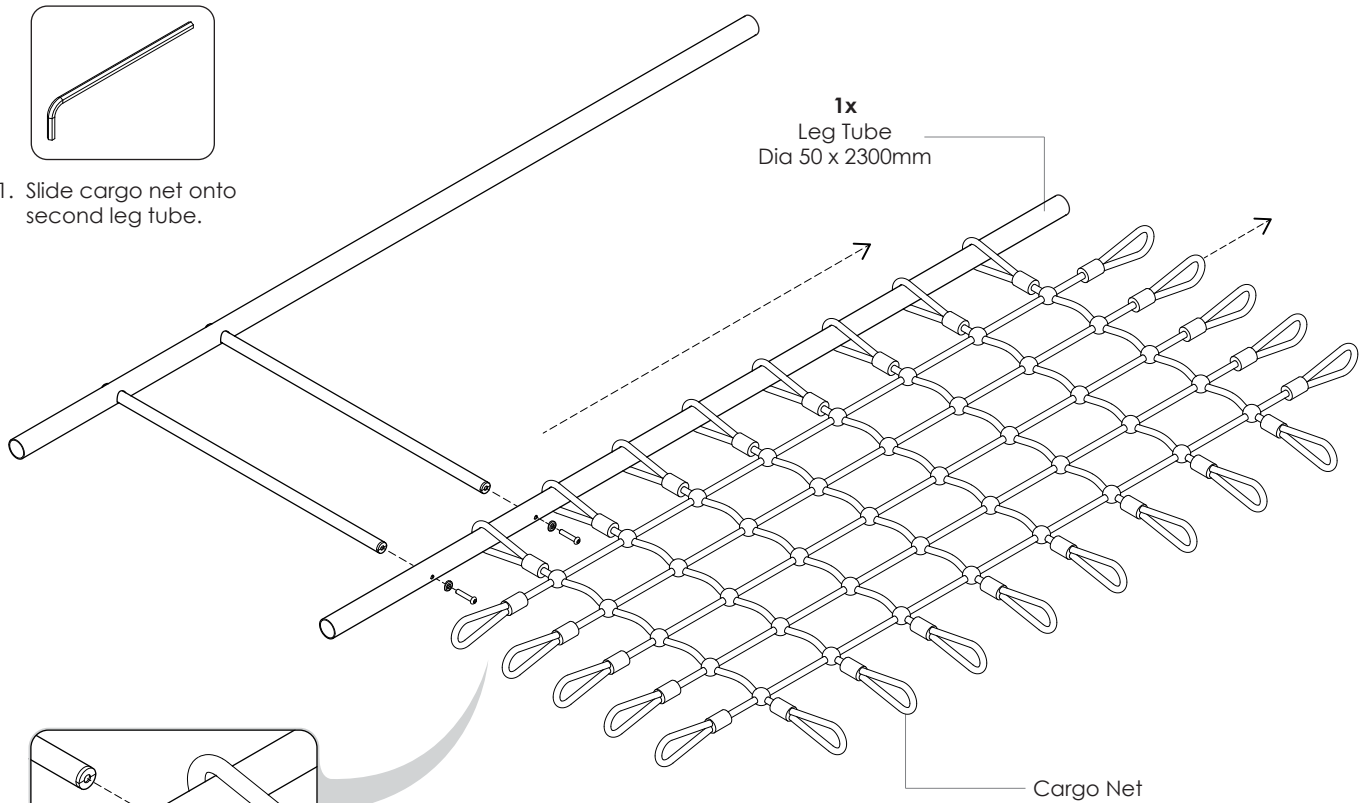
Tighten all bolts.



6 ATTACH SECOND LEG AND CARGO NET

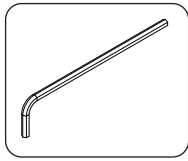


1. Slide cargo net onto second leg tube.

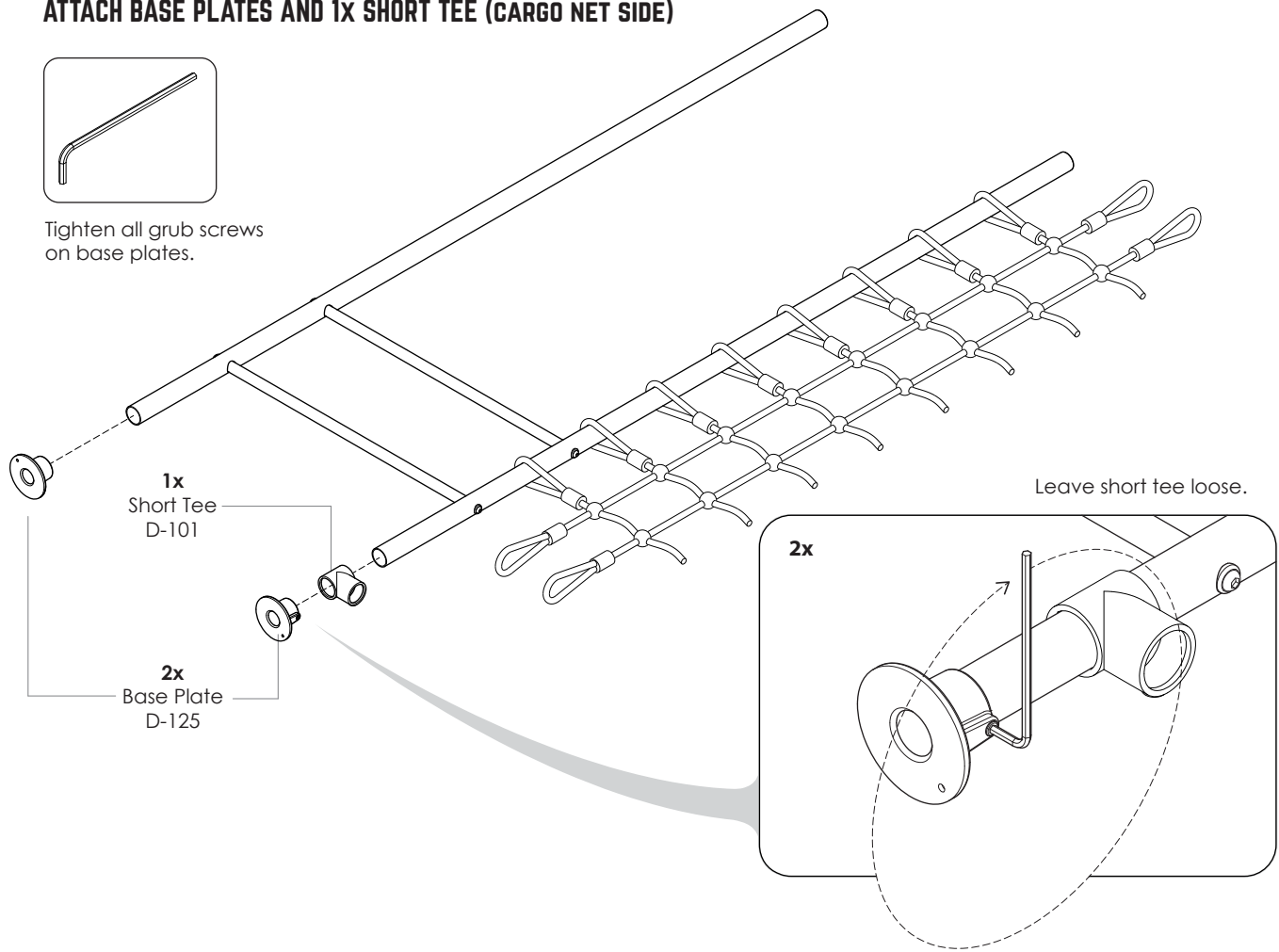


2. Ensure one hoop is between the rungs. Bolt leg to rungs. Tighten rung bolts

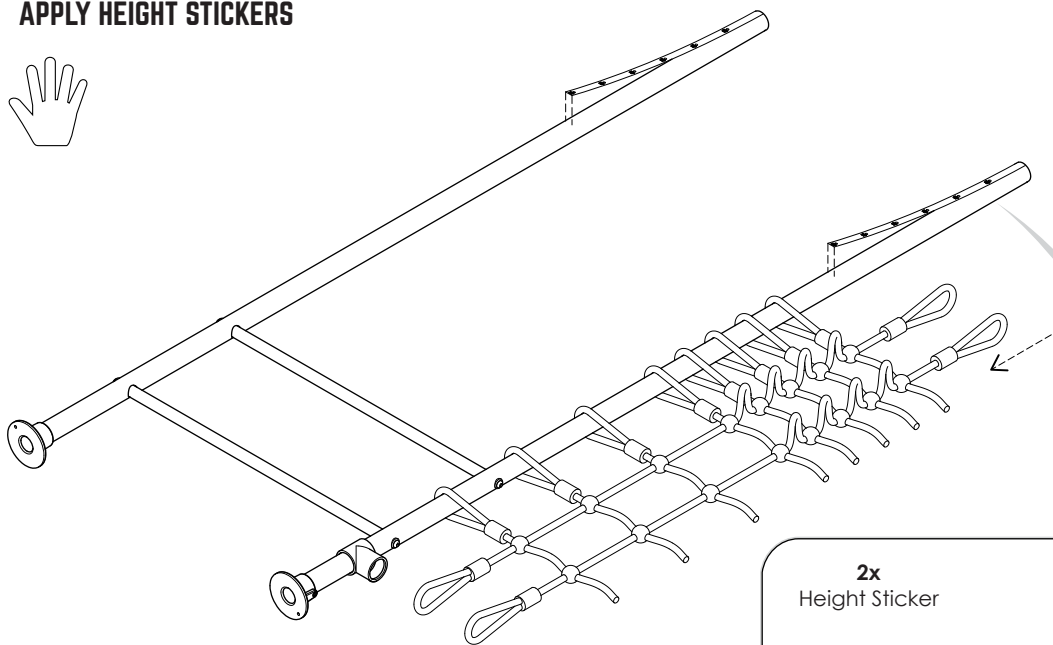
7 ATTACH BASE PLATES AND 1x SHORT TEE (CARGO NET SIDE)



Tighten all grub screws on base plates.

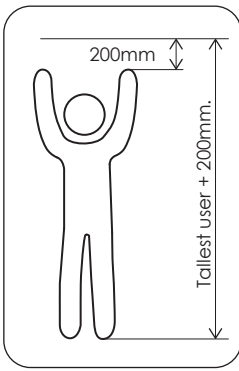


8 APPLY HEIGHT STICKERS



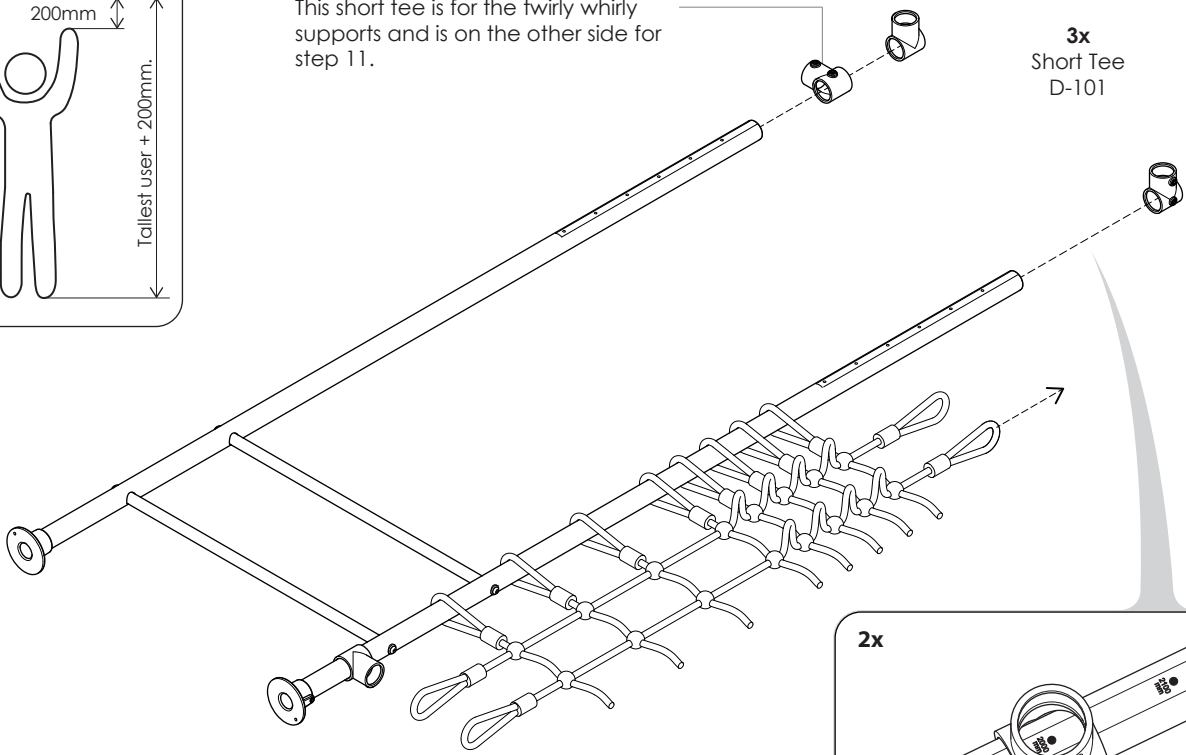
Move net downwards to allow height sticker application.

9 SET LADDER BAR HEIGHT.

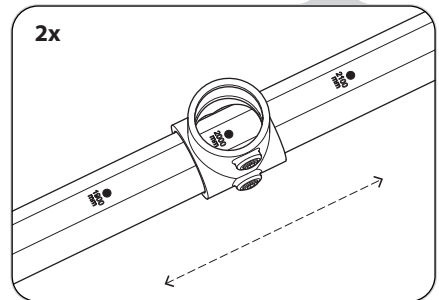


This short tee is for the twirly whirly supports and is on the other side for step 11.

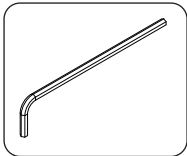
3x
Short Tee
D-101



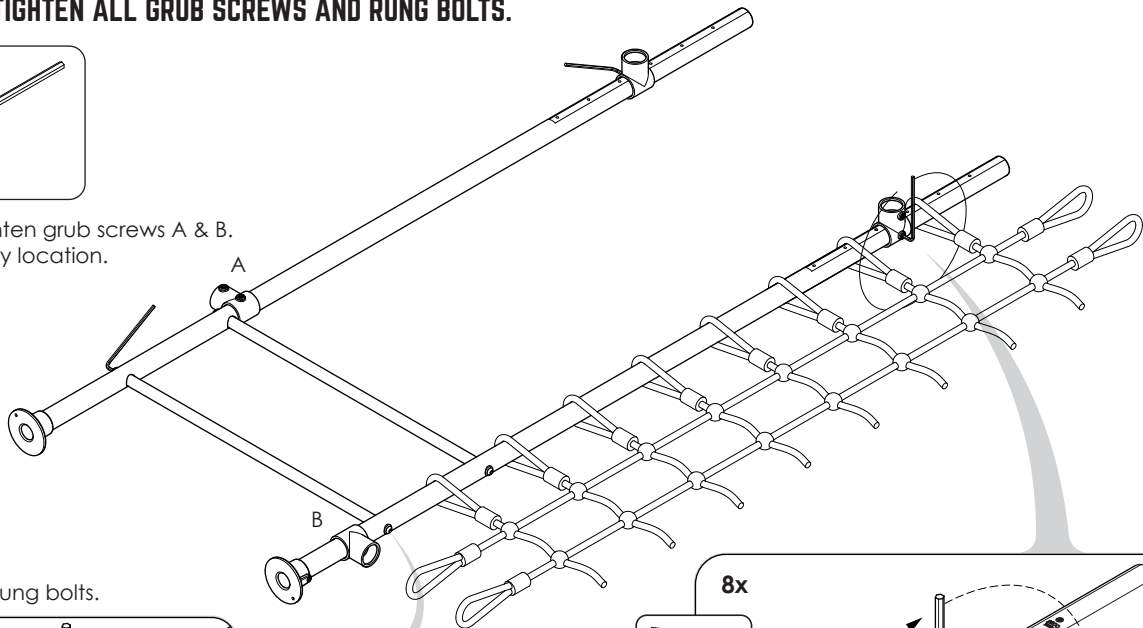
Position top short-tee at measured height.
Push through cargo hoops if required.



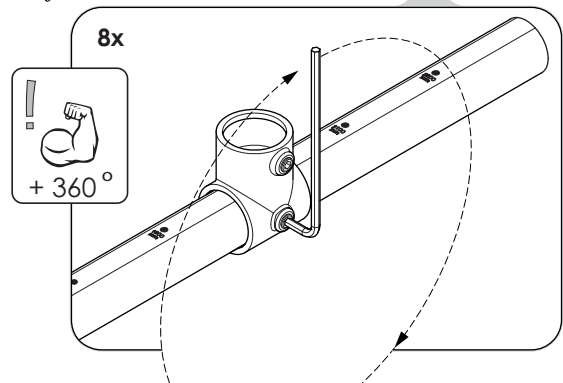
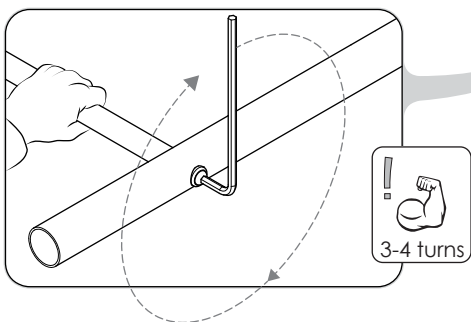
10 FIRMLY TIGHTEN ALL GRUB SCREWS AND RUNG BOLTS.



Hand tighten grub screws A & B.
Temporary location.



Fully Tighten rung bolts.

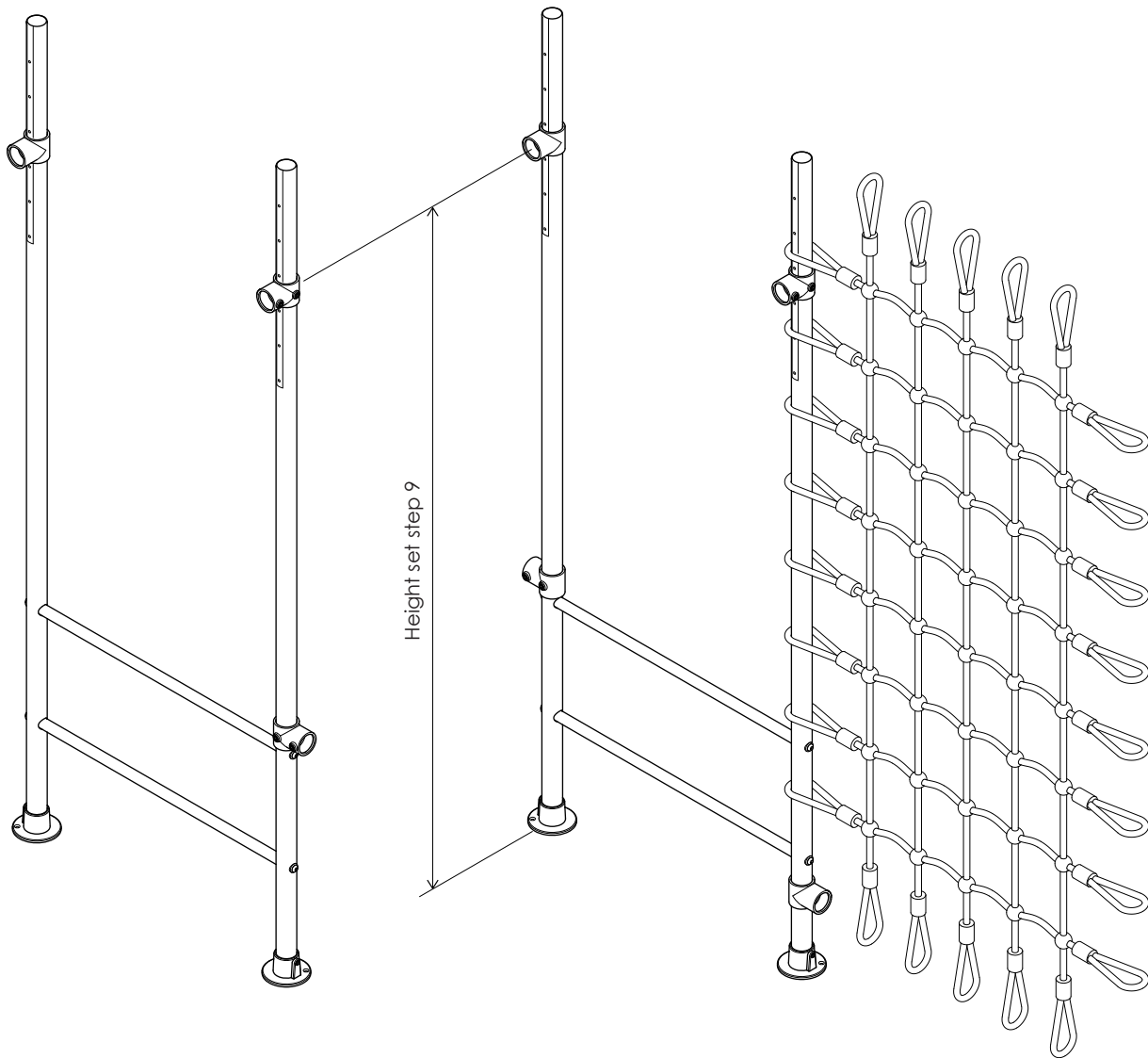


11

**REPEAT STEPS 5-10 FOR SECOND PAIR OF LEGS.
SAME PROCEDURE BUT WITHOUT CARGO NET, LOWER SHORT TEE & TWIRLY WHIRLY SHORT TEE ON OPPOSITE SIDE,
SEE BELOW FOR DESIRED RESULT.**

12

LEG ASSEMBLY X 2.

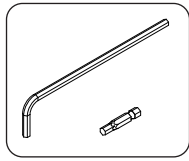


Leg with no cargo net and no lower short tee.
Twirly whirly short tee on right hand side.

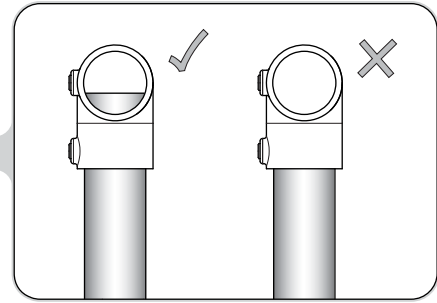
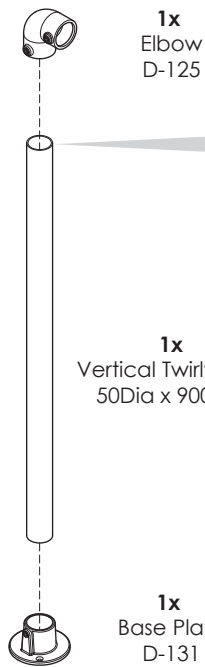
Leg with cargo net and lower short tee.
Twirly whirly short tee on left hand side.

ASSEMBLY INSTRUCTIONS - TWIRLY WHIRLY BAR ASSEMBLY

13 ASSEMBLE VERTICAL TWIRLY TUBE



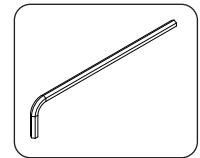
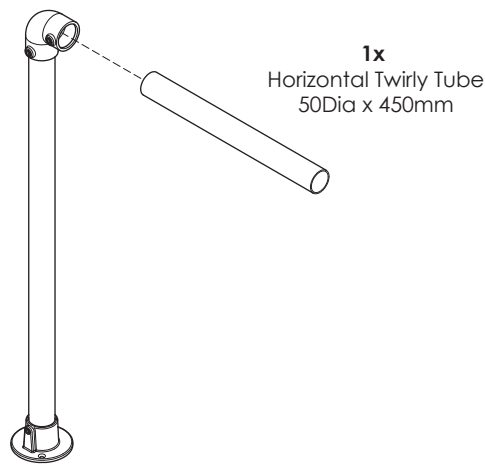
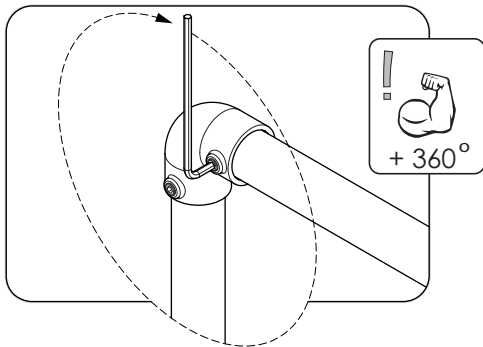
Tighten all grub screws.



Insert Twirly Tube fully into Elbow.

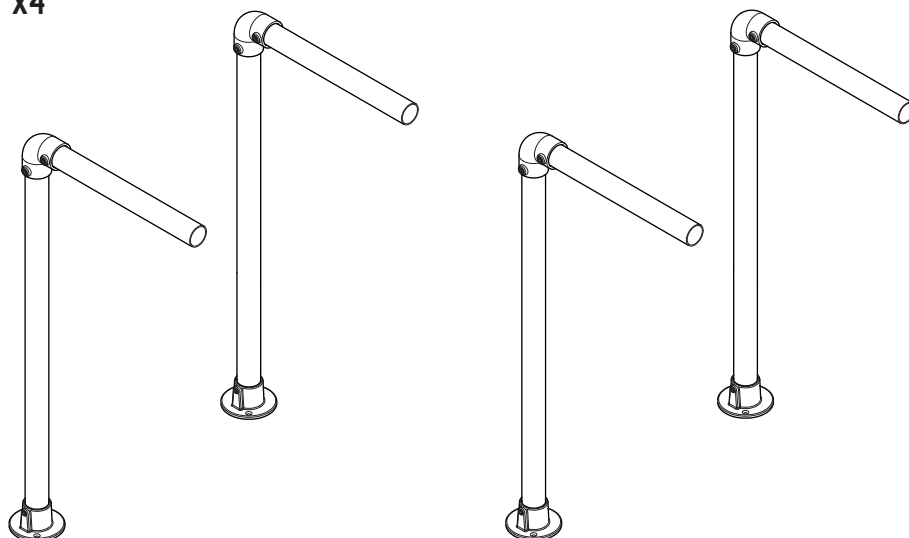
14 ATTACH HORIZONTAL TWIRLY TUBE

Firmly tighten all grub screws.



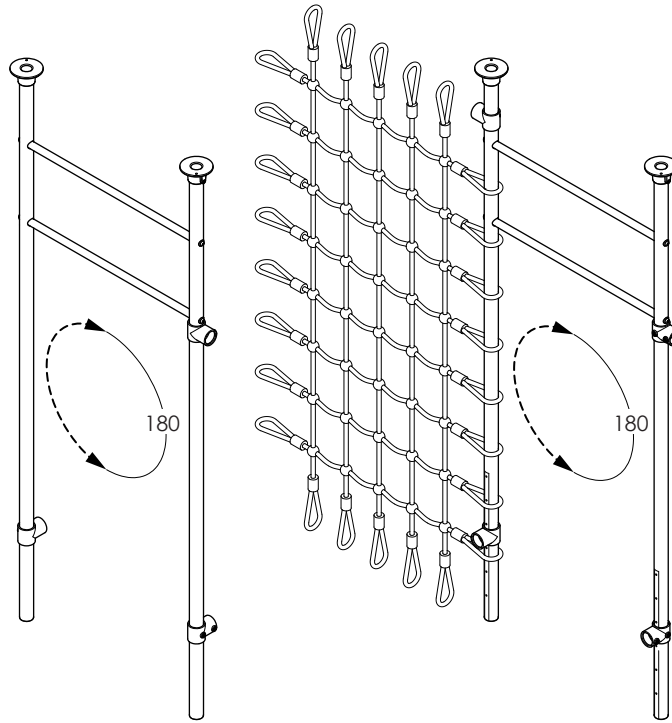
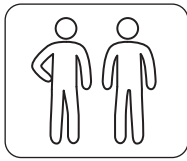
15 REPEAT STEPS 13 -14 FOR 3 MORE TWIRLY WHIRLY BARS.

16 TWIRLY WHIRLY BAR x4

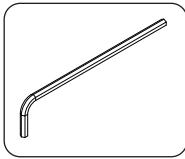


ASSEMBLY INSTRUCTIONS - MAIN MONKEY BAR ASSEMBLY

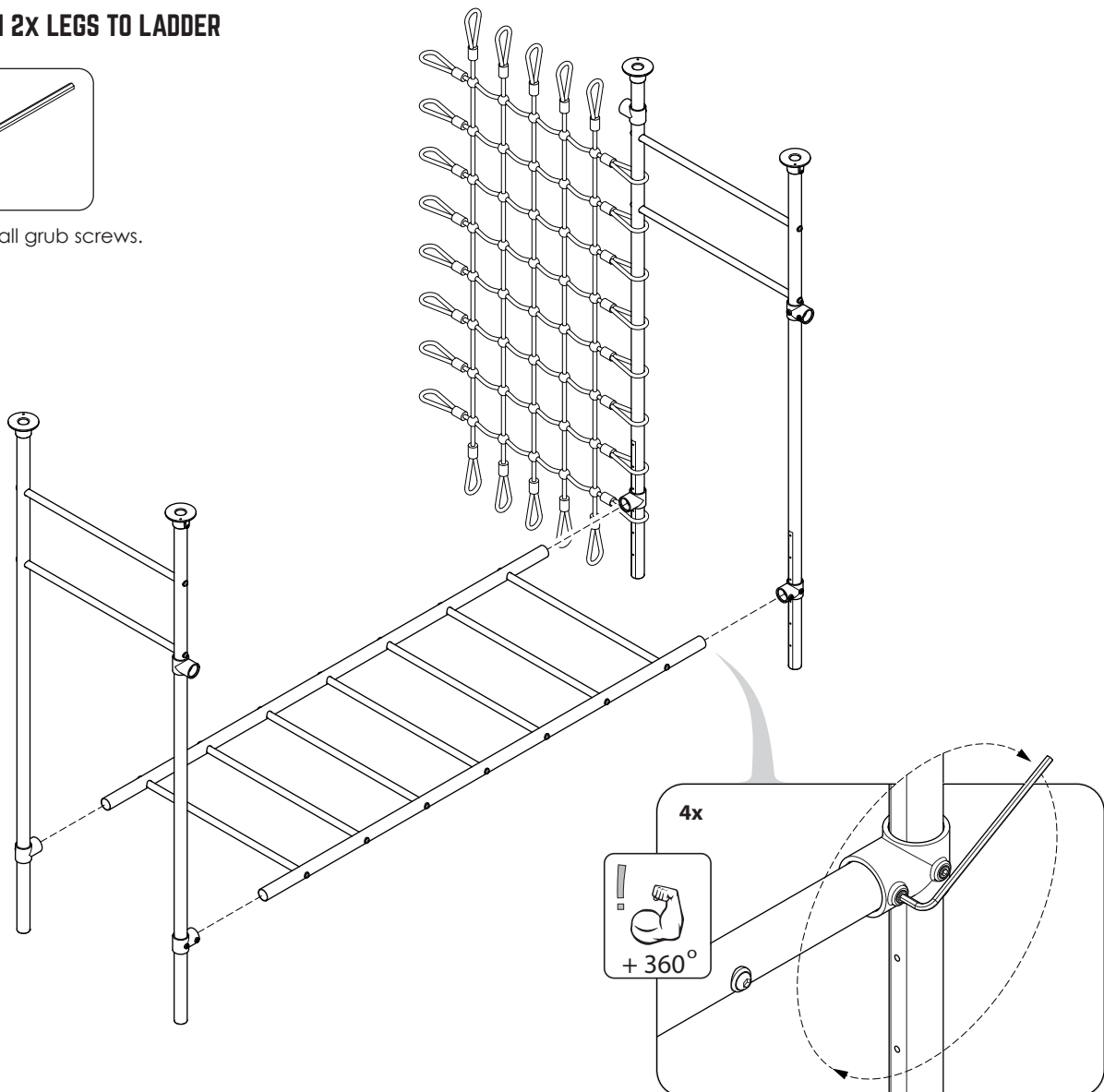
17 FLIP LEGS OVER



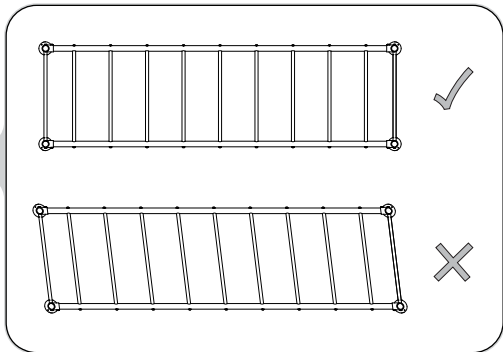
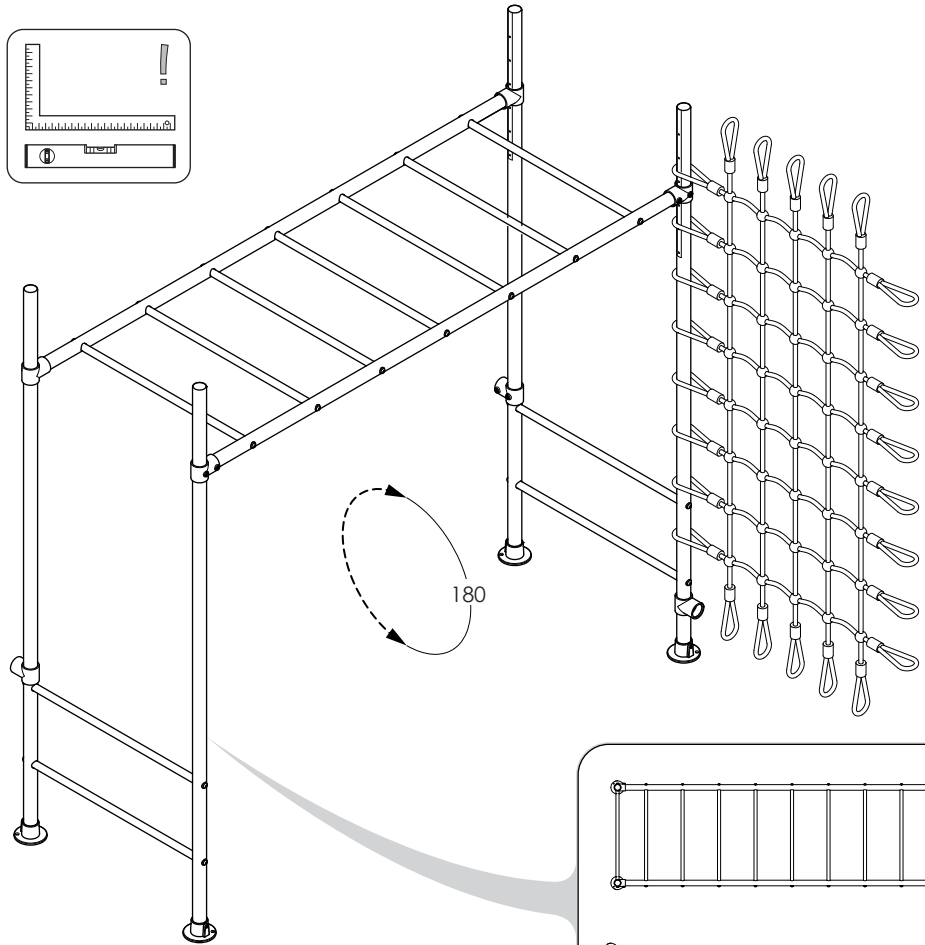
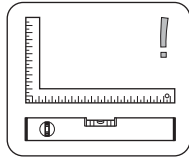
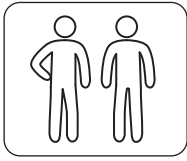
18 ATTACH 2X LEGS TO LADDER



Tighten all grub screws.

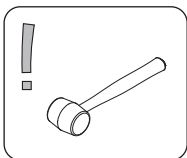


19 FLIP ASSEMBLY OVER AND MOVE TO DESIRED LOCATION

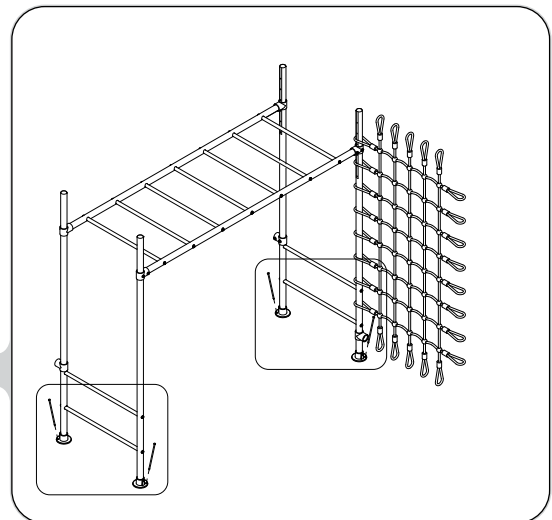
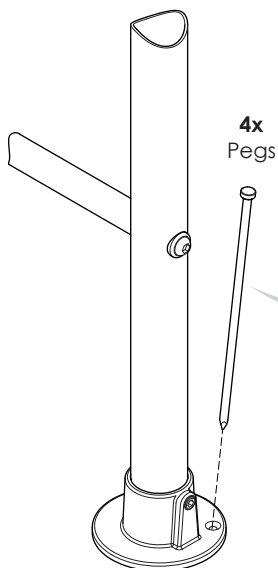


CRITICAL : ENSURE YOUR FRAME IS 100% SQUARE AND LEVEL (AS PER PAGE 6) BEFORE MOVING ONTO THE REST OF THE ASSEMBLY.

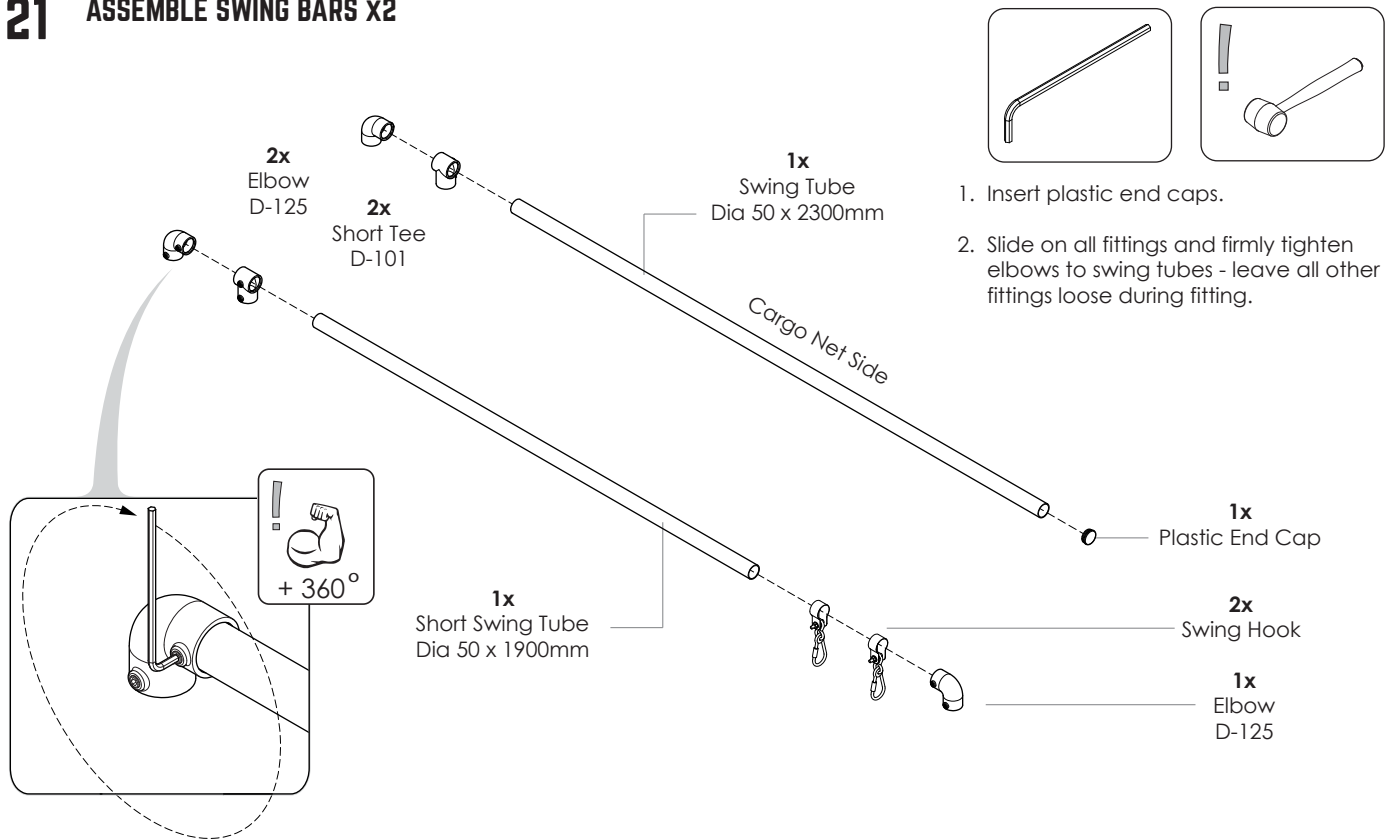
20 SECURE TO GROUND



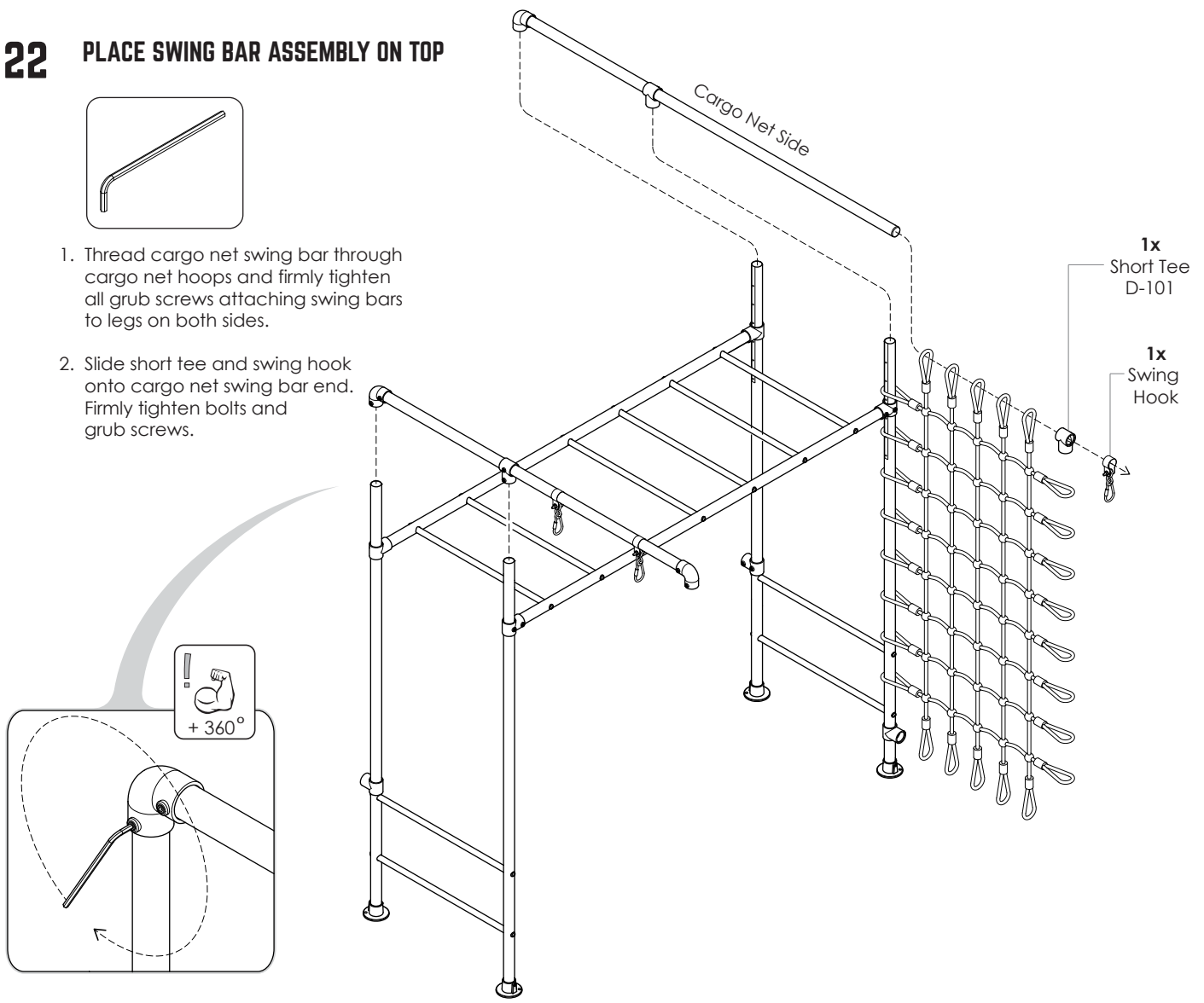
Hammer in pegs x4.



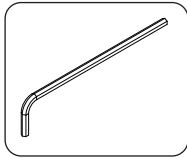
21 ASSEMBLE SWING BARS X2



22 PLACE SWING BAR ASSEMBLY ON TOP

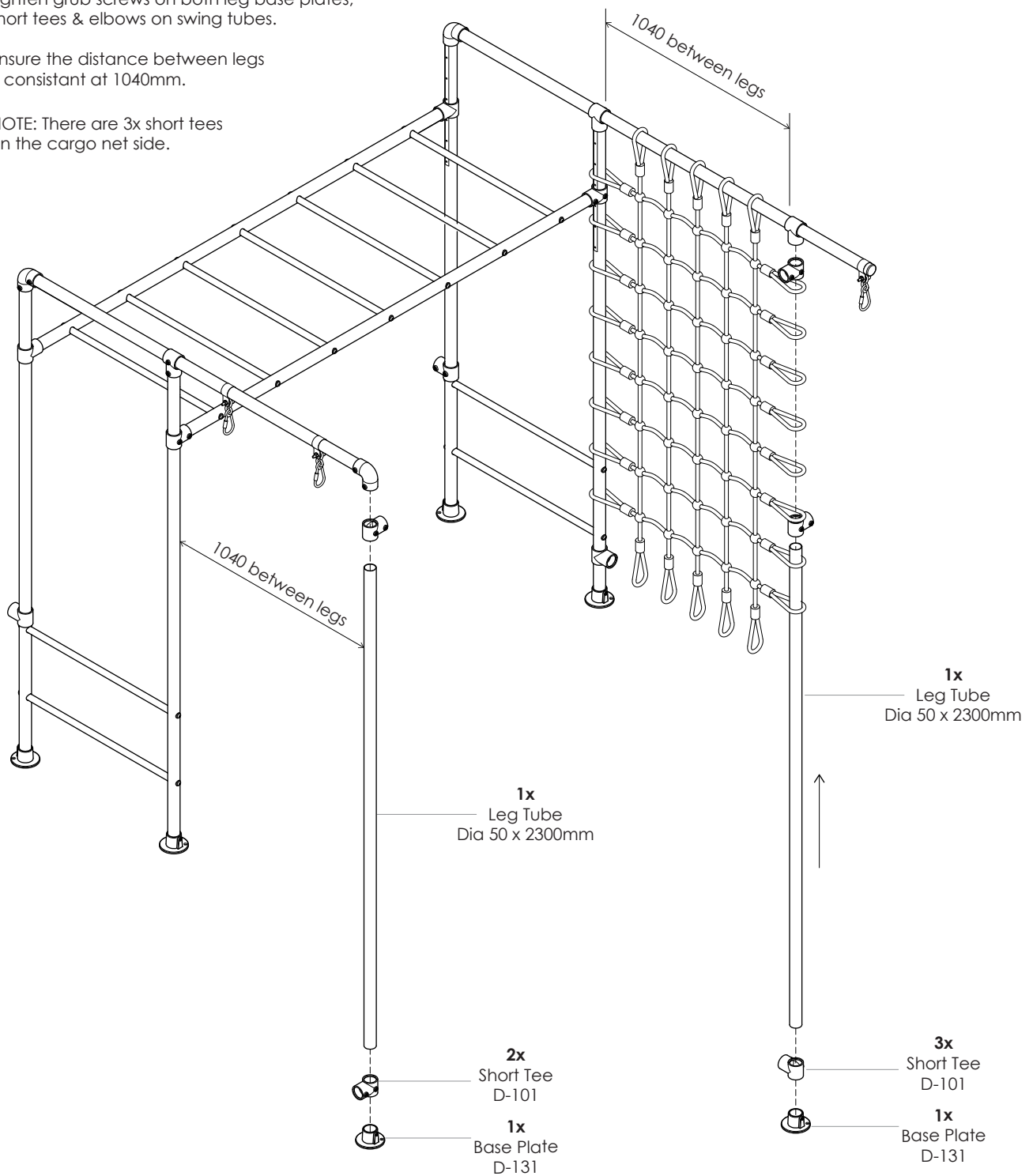


23 ATTACH SWING LEGS

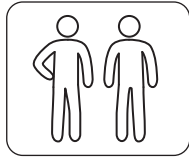
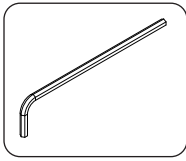


1. Feed leg tube through cargo net hoops and short tees.
2. Tighten grub screws on both leg base plates, short tees & elbows on swing tubes.
3. Ensure the distance between legs is constant at 1040mm.

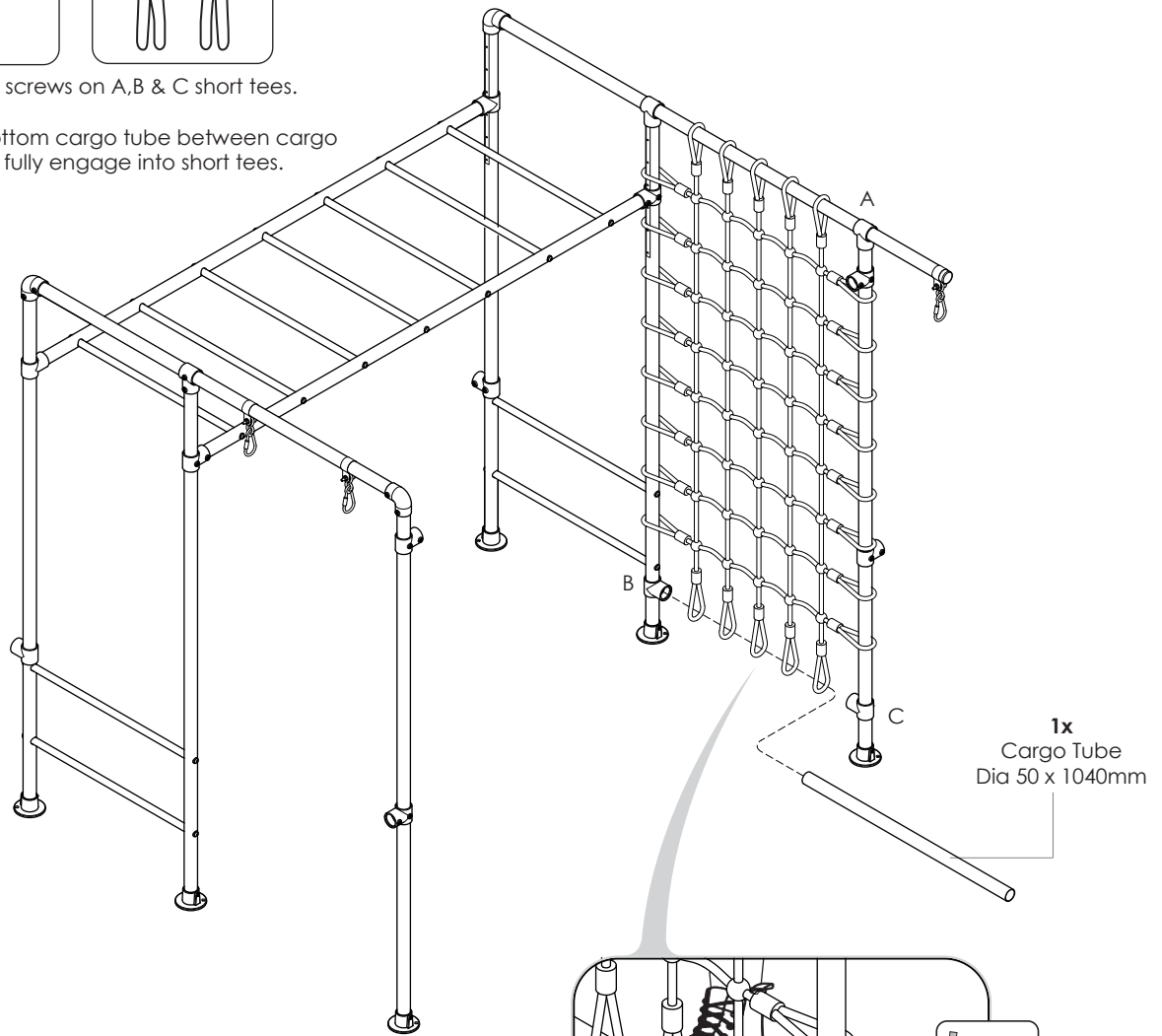
NOTE: There are 3x short tees on the cargo net side.



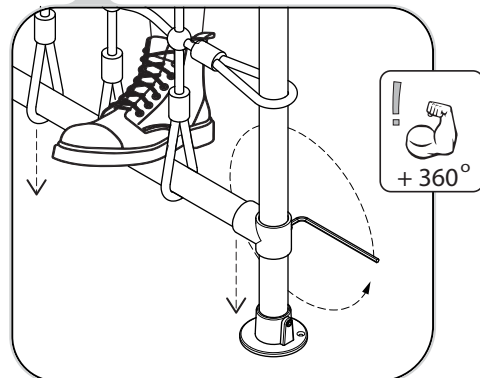
24 ATTACH CARGO TUBE



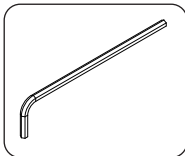
1. Loosen grub screws on A,B & C short tees.
2. Thread in bottom cargo tube between cargo net hoops & fully engage into short tees.



3. Get second person to stand on tube to make cargo net taught, then fully tighten grub screws.



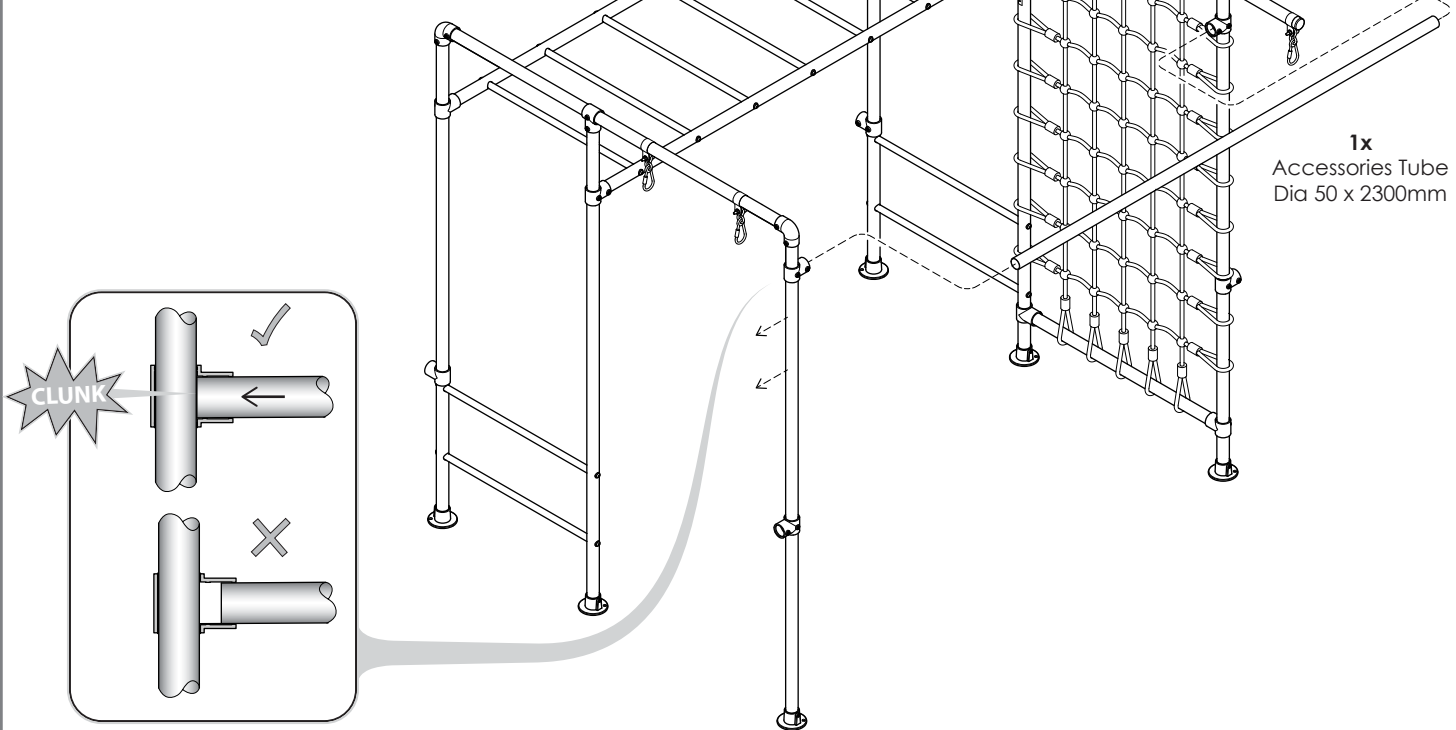
25 FULLY TIGHTEN ALL FIXINGS



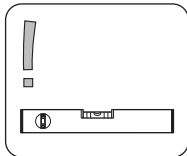
Tighten all grub screws on fixings connecting two or more pipes.

26 ATTACH ACCESSORIES TUBE

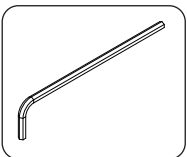
1. Fully insert cargo net end of accessories tube into short tee until it "clunks" against leg tube.
2. Insert opposite end of accessories bar into short tee by pulling leg outwards. Insert fully until it "clunks" against leg tube.



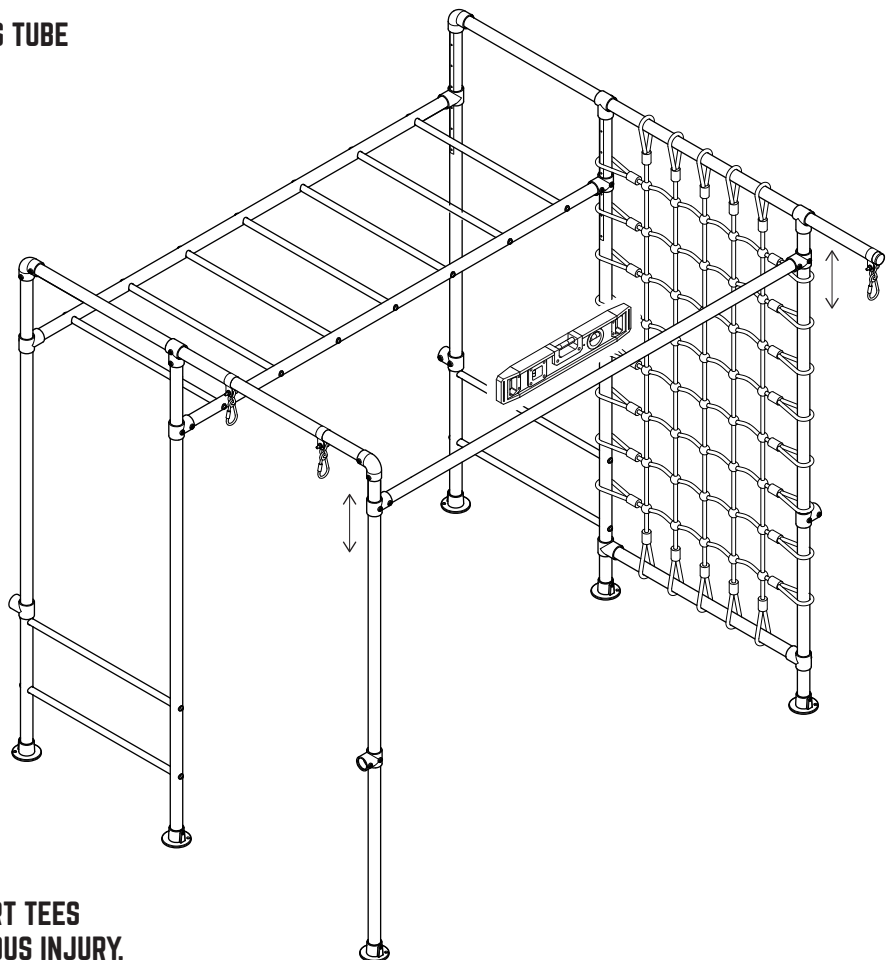
27 LEVEL AND TIGHTEN ACCESSORIES TUBE



1. Ensure accessories bar is level and set to your desired height.

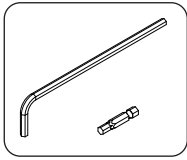


1. Firmly tighten all grub screws.



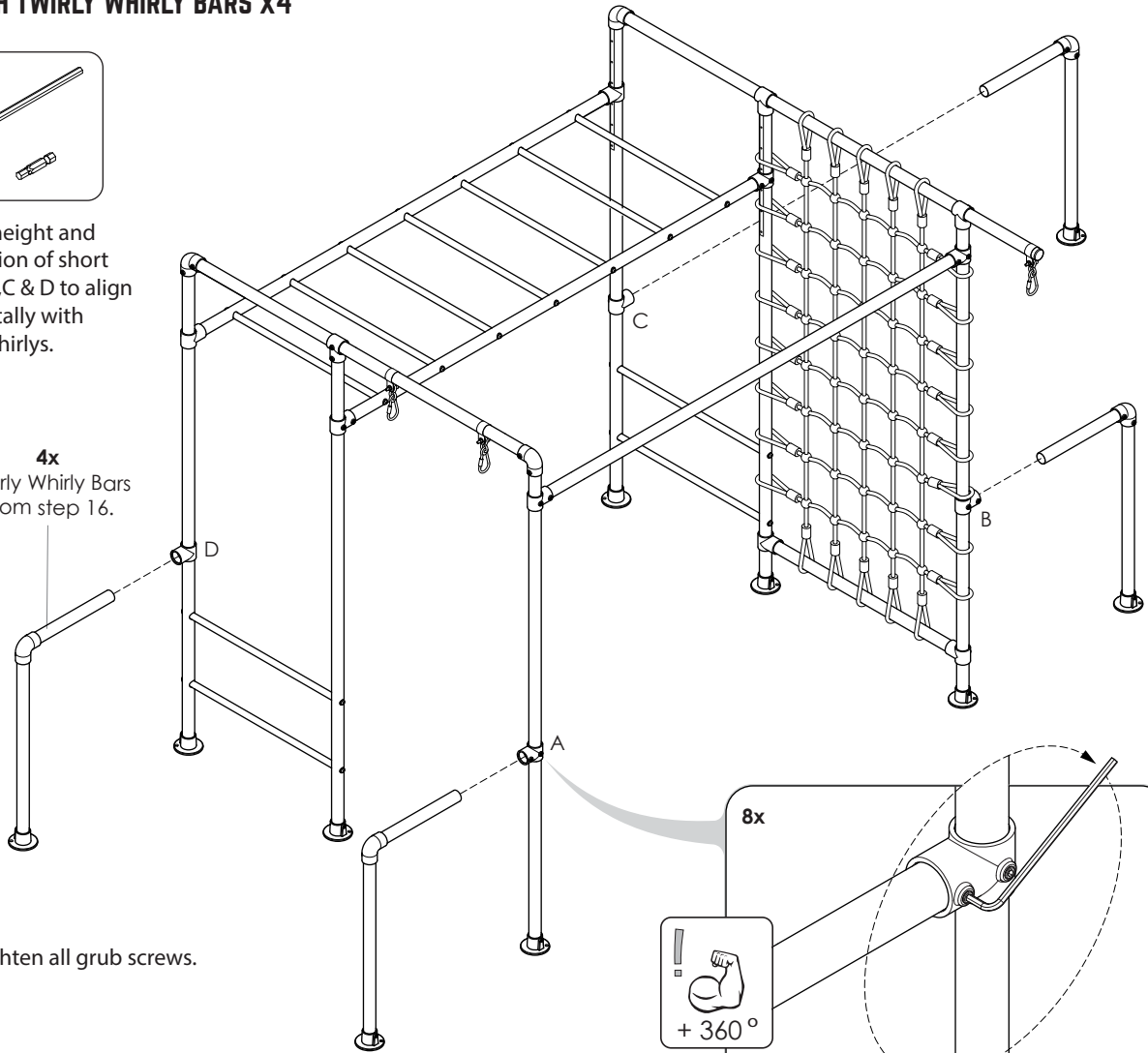
**ENSURE BOTH ENDS OF THE ACCESSORIES TUBE ARE FULLY ENGAGED INTO THE SHORT TEES
FAILURE TO DO SO COULD RESULT IN SERIOUS INJURY.**

28 ATTACH TWIRLY WHIRLY BARS X4



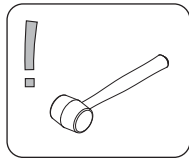
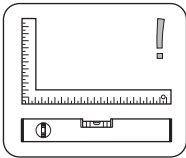
1. Adjust height and orientation of short tees A,B,C & D to align horizontally with twirly whirlys.

4x
Twirly Whirly Bars
from step 16.

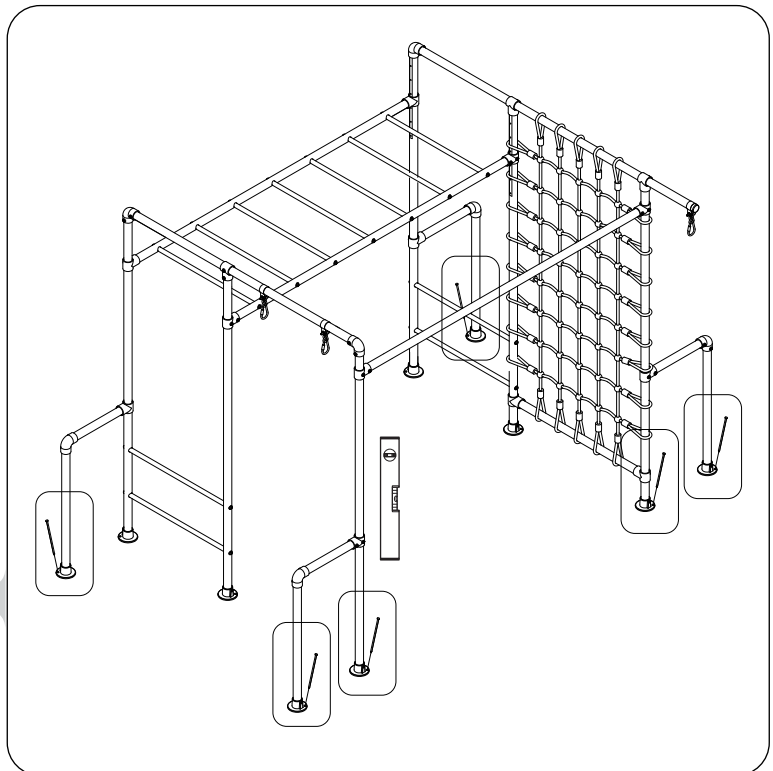
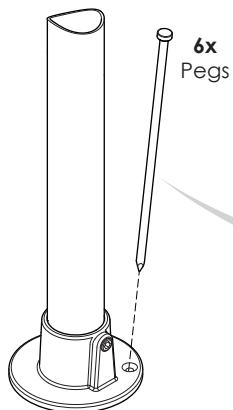


2. Fully tighten all grub screws.

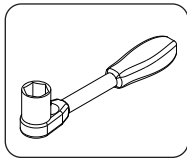
29 SECURE TO GROUND



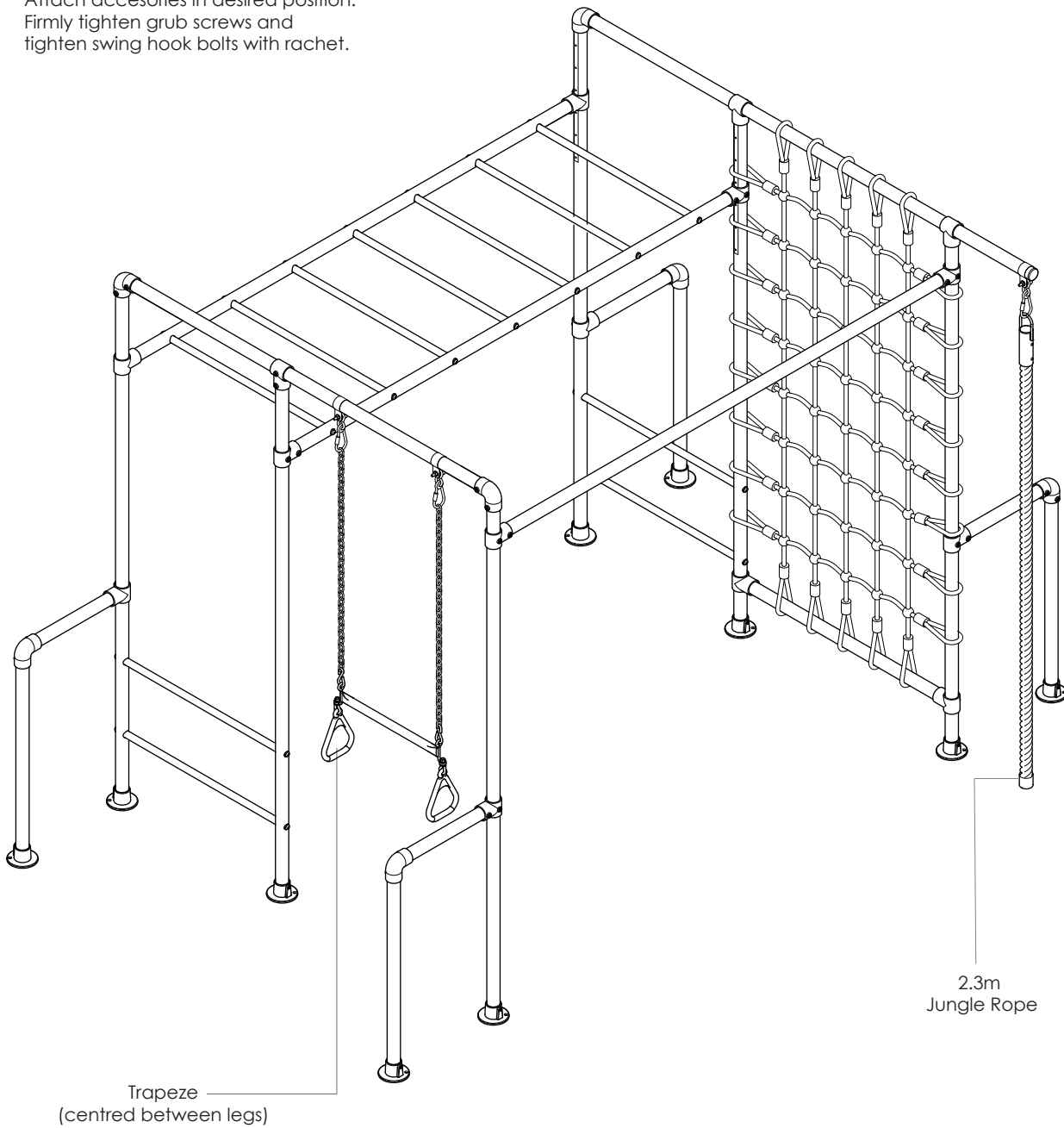
1. Check frame is level and square.
2. Hammer in all remaining pegs x6.



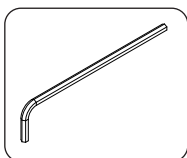
30 ATTACH ACCESSORIES



Attach accessories in desired position.
Firmly tighten grub screws and
tighten swing hook bolts with ratchet.

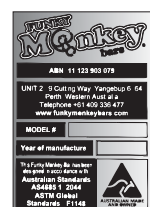


31 FINAL CHECKS

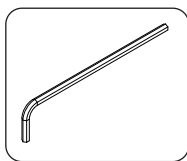
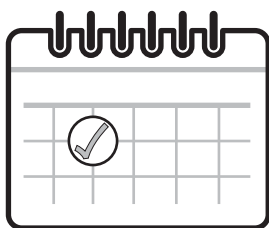


Firmly tighten all grub screws.

Apply your manufacturing sticker to a leg tube.



32 MAINTENANCE.



At the beginning of each heavy play session (especially a party) and twice a month during play season ensure;

1. Tighten all hardware - grub screws, nuts and bolts.
2. Pegs are in place and fully secure.
3. Lubricate all metallic moving parts with WD40 or vasaline - (trolley and swing hooks.)
4. Ensure your frame is level and square.

FAILURE TO DO SO COULD RESULT IN SERIOUS INJURY OR DEATH.

**FOR MORE INFORMATION AND ASSEMBLY TIPS
PLEASE REFER TO OUR WEBSITE VIDEO INSTRUCTION SECTION AT
[HTTP://WWW.FUNKYMONKEYBARS.COM/PAGES/VIDEOS](http://www.funkymonkeybars.com/pages/videos)**

33 HAVE FUN





ABN 72 164 496 520



1300 912 198



info@funkymonkeybars.com



www.funkymonkeybars.com



9 Cutting Way,
Yangebup WA 6164



WE ARE SOCIAL MONKEYS



Australian Government
IP Australia

All Funky Monkey Bars® designs are registered and protected under IP Australian certification.