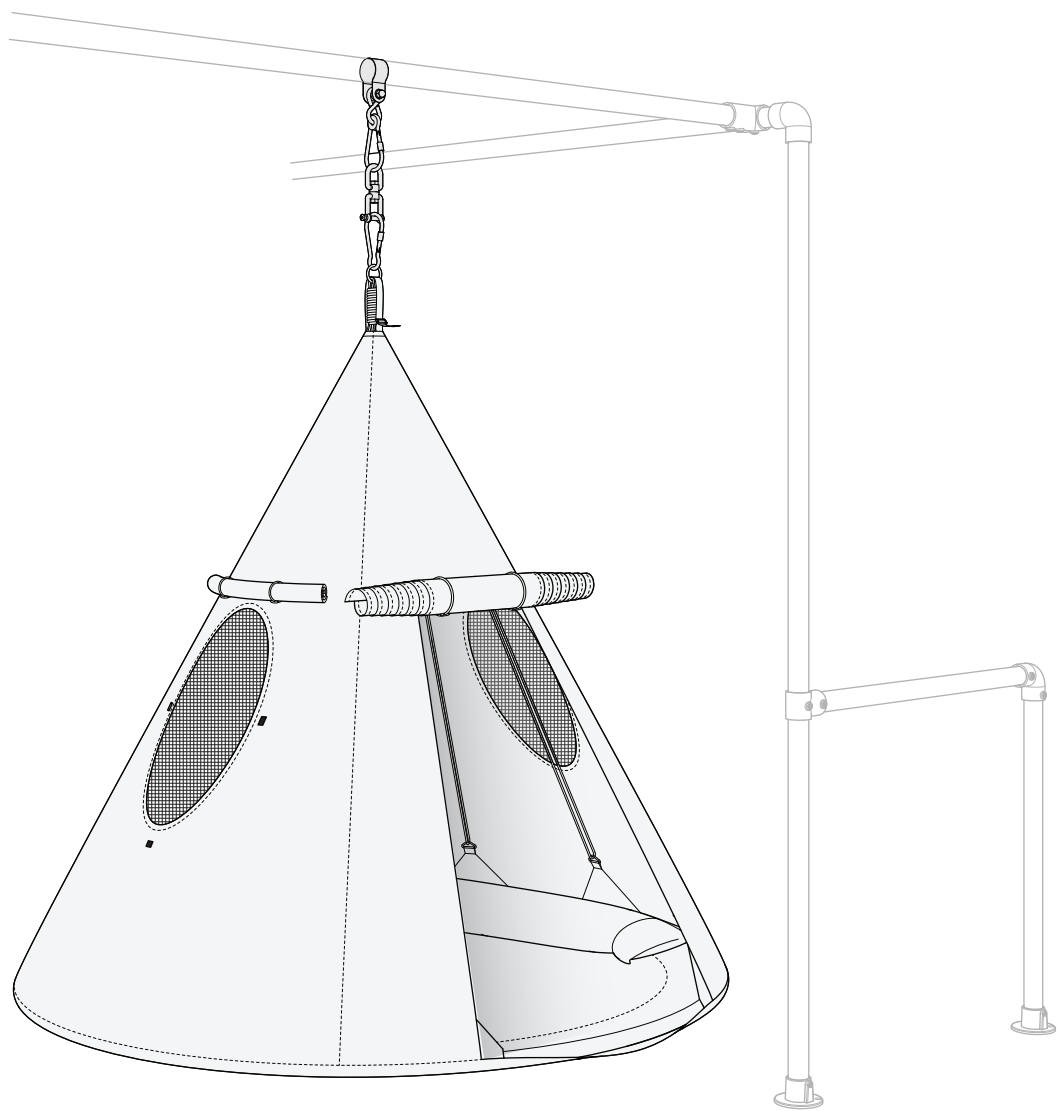


# FUNKY Monkey bars<sup>®</sup>



## SWINGING CUBBY ASSEMBLY INSTRUCTIONS

## CONTENTS

Warnings and Safety . . . . .	Page 1
Assembly Tips . . . . .	Page 3
Inventory and Tools . . . . .	Page 4
Assembly Instructions . . . . .	Page 5
Swing Hook . . . . .	Page 5
Metal Tubes . . . . .	Page 6
Swinging Cubby. . . . .	Page 8
Secure Swinging Cubby . . . . .	Page 9
Final Checks . . . . .	Page 10

## WARNING

### RISK OF SERIOUS INJURY

PLEASE CAREFULLY READ ALL INFORMATION CONTAINED IN THIS ASSEMBLY MANUAL BEFORE YOU INSTALL AND USE YOUR FUNKY MONKEY BARS® TENT SWING.

## SAFETY NOTICE

### WARNINGS

1. Choking hazard-small parts, not for children under 3 years.
2. Maximum weight should not exceed 180kg.
3. Do not use without adult supervision!
4. Adult assembling required!

### ESSENTIAL INFORMATION

1. Recommended for children 3+ years.
2. Do not leave child unattended while in use.
3. CAUTION: Use only under adult supervision.
4. Do not attach foreign items that are not designed for equipment use.
5. Only use this product on Funky Monkey Bars®
6. Good safety practices should be followed at all times.
7. Read all instruction before using this product.
8. Intended solely for family and domestic use, not for a commercial playground or daycare. Two adults needed for assembly. Maximum weight capacity: 180kg.
9. Hanging hardware included. Ideally, the swing body should be hung over grass, sand, wood chips, or other soft surfaces. Under no circumstances should it be hung over concrete, asphalt, or other hard surfaces. Distance to ground should not exceed 450mm or be less than 350mm from the ground.
10. Please be sure to examine the ropes regularly to check for wear. Rope will, in time, degrade. If the color of the rope has become pale, frays easily, or gives off a powdery material when rubbed between the fingers, we recommend you replace the rope.
11. Equipment should be hung in such a way that a distance of at least 450mm is clear on either side.

## LOCATION

1. A safe fall zone around your Funky Monkey Bars® is essential. A minimum distance of 1.5m to 2m (5 ft to 6.5ft) is recommended around the elevated hanging points of your Funky Monkey Bars®.
2. Place your Funky Monkey Bars® on level ground, away from any structure or obstruction such as a fence, garage, house, overhanging branches, laundry lines or electrical wires and remove any obstructions beneath your Funky Monkey Bars®.
3. Ensure your Funky Monkey Bars® are positioned away from retaining walls, pool fences, structures and other play equipment. Maintain a clear space around the whole perimeter of your Funky Monkey Bars®.
4. Place your Funky Monkey Bars® on the most level surface available.

## ENSURING SAFETY ON THE SWINGING CUBBY

1. Clearance distance should be 450mm around the swing.
2. A fall onto a hard surface can result in serious injury to the equipment user.
3. Do not use the equipment until properly installed.
4. Do not modify or alter equipment
5. This swing is not to be used in any other manner other than its intended use; to sit, lay and swing from inside the swing.
6. Adult supervision is required.
7. It is important for adults to instruct children to:
  - Dress appropriately while using the swing (avoid ponchos, scarves, and other loose-fitting clothing that is potentially hazardous).
  - Sit in the center of the swing with full weight on the seat if swinging alone.
  - Avoid swinging empty seats.
  - Check the temperature of the surface before use in warm/hot weather.
8. It is important for adults to instruct children NOT to:
  - Walk close to, in front of, behind, or between moving items.
  - Twist ropes or loop them over the top support bar since such action may reduce the strength of the rope.
  - Get off the sing while it is in motion.
  - Climb on top of the equipment
  - Use when it is wet.
  - Attach additional items to the swing that might cause a strangulation hazard.
  - Wear a bicycle or sport helmet while on the swing.

## MAINTENANCE

1. At the beginning of each heavy play session we recommend the following maintenance processes be performed on your Funky Monkey Bars®:
  - Tighten all bolts, grub screws and applicable hardware (as per page 9)
  - Lubricate all metallic moving parts as per instructions (flying fox, swing hooks etc)
  - Check all protective coverings on bolts, pipes, edges and corners. Replace if they are loose, cracked or missing.
  - Check all moving parts including swing seats, shackles, snap hooks, chains and trolleys for wear, rust, or other deterioration. Replace as needed.
2. Twice a month during play season we would recommend the following maintenance processes be performed on your Funky Monkey Bars®:
  - Tighten all connections and hardware
  - Check all protective coverings on bolts, pipes, edges and corners. Replace if they are loose, cracked or missing.
3. Once a month during play season we would recommend the following maintenance processes be performed on your Funky Monkey Bars®:
  - Lubricate all metallic moving parts as per instructions (flying fox, swing hooks etc). If swings start to squeak then lubricate swing hooks.
  - Check all moving parts including swing seats, ropes, chains and trolleys for wear, rust, or other deterioration. Replace as needed.
  - Owners shall be responsible for maintaining the legibility of any warning labels.

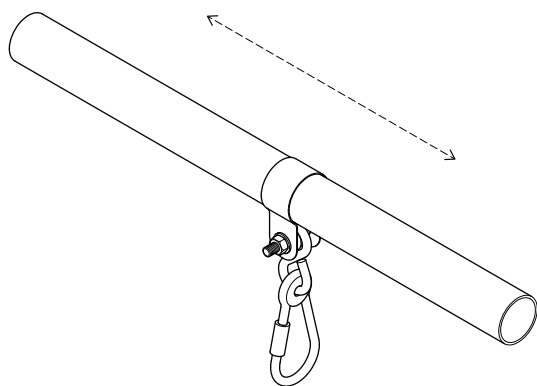
At the end of each play season, or when the temperature falls below 4°C or is above 40°C, adults should:

- Remove the swing from its outdoor location.
- Store the swing in a dry environment away from the elements to prolong life of product.

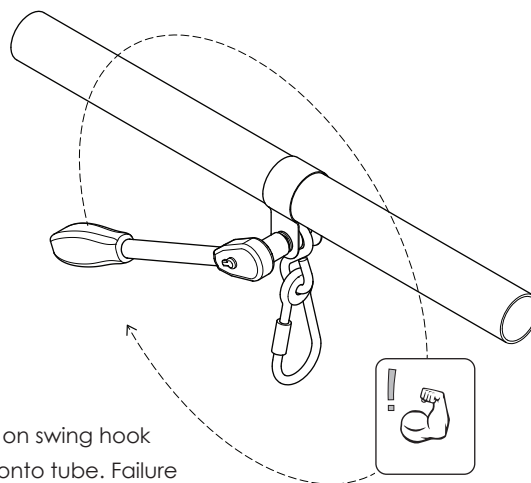
For additional information concerning your Funky Monkey Bars®, please contact our customer service team or check our website for any important updates. Phone 1300 912 198 or [www.funkymonkeybars.com](http://www.funkymonkeybars.com)

## ASSEMBLY TIPS

### CORRECT TIGHTENING OF SWING HOOKS - (INDICATIVE DIAGRAM SHOWN)



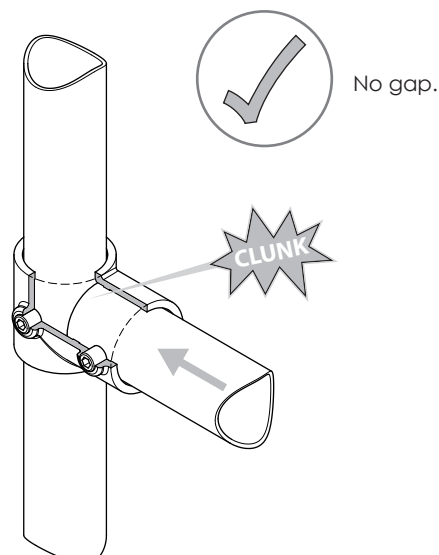
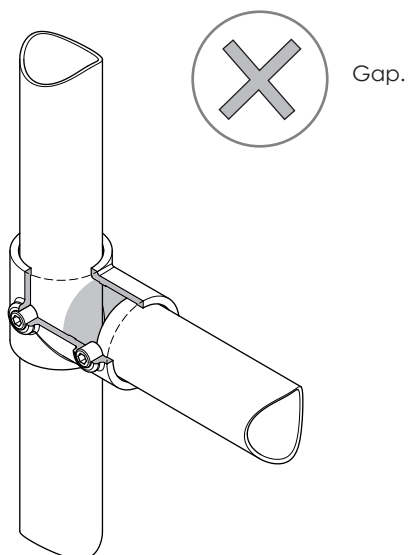
1. Slide the swing hook along the tube until the desired location.



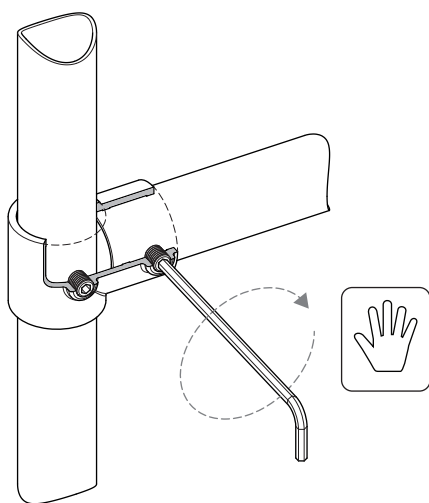
2. Fully tighten bolt on swing hook to clamp tightly onto tube. Failure to do so can result in **serious injury**.


### CORRECT INSERTION INTO FITTINGS - (INDICATIVE DIAGRAM SHOWN)

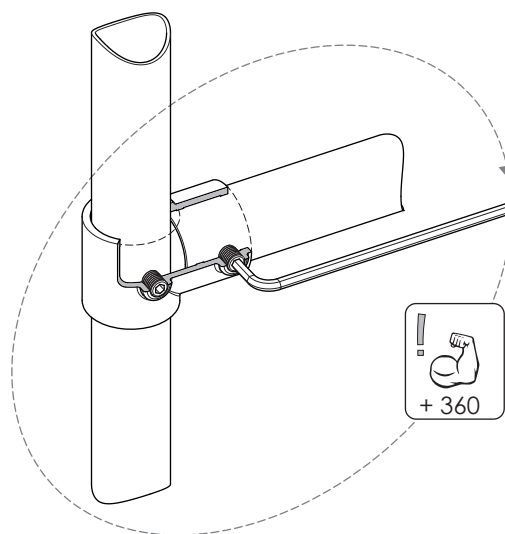
All tubes must be fully inserted until contact is made with adjoining tube.




### CORRECT TIGHTENING METHOD OF GRUB SCREWS - (INDICATIVE DIAGRAM SHOWN)



1. With long end of allen key, hand tighten grub screw as much as possible. 

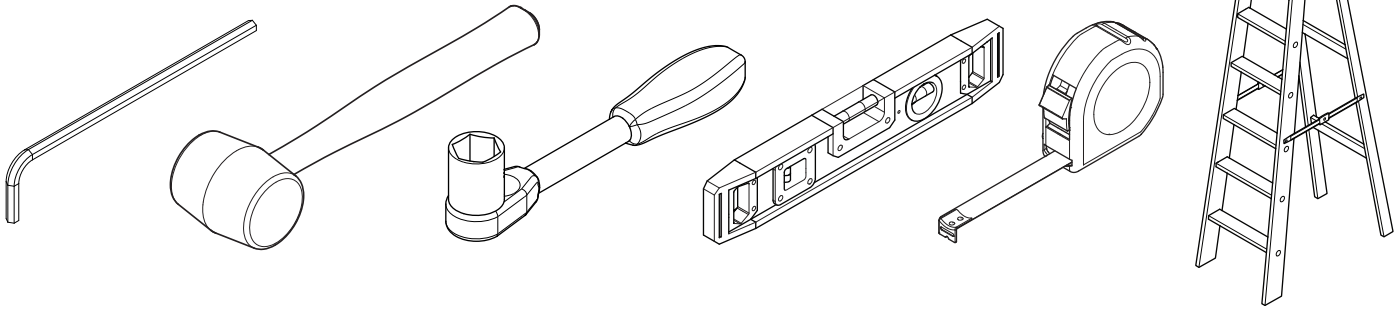


2. Using other end of the allen key do one full 360 degree turn as a minimum, use muscles! 



# INVENTORY

## TOOLS REQUIRED FOR INSTALLATION - (VARIES FOR EACH ACCESSORY)



**1x**  
8mm Allen key  
(Not included)

**1x**  
Soft Hammer  
(Not included)

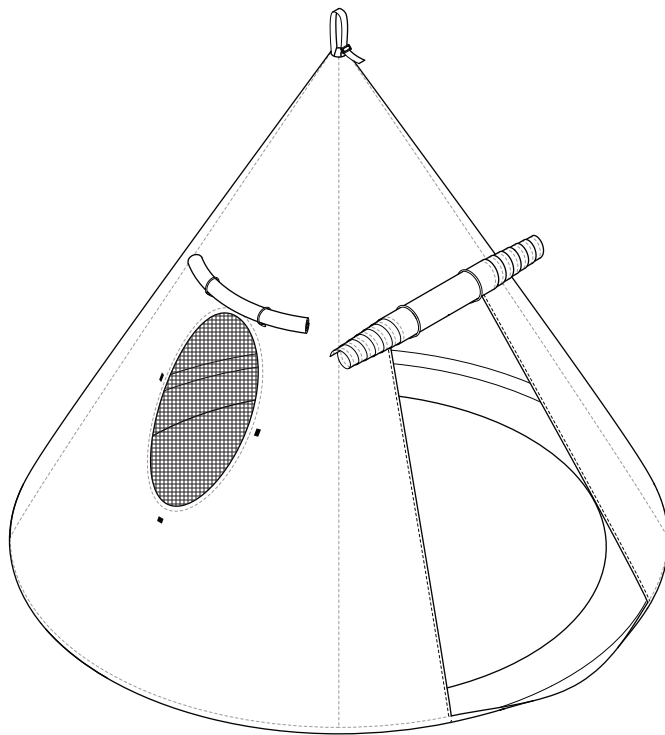
**1x**  
17mm Ratchet  
(Not included)

**1x**  
Spirit Level  
(Not included)

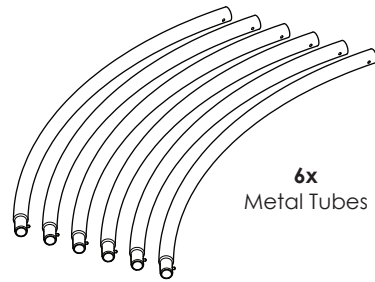
**1x**  
Tape Measure  
(Not included)

**1x**  
3m Step Ladder  
(Not included)

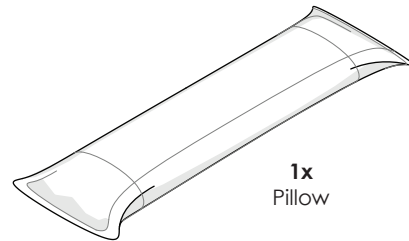
## INVENTORY - (NOT TO SCALE)



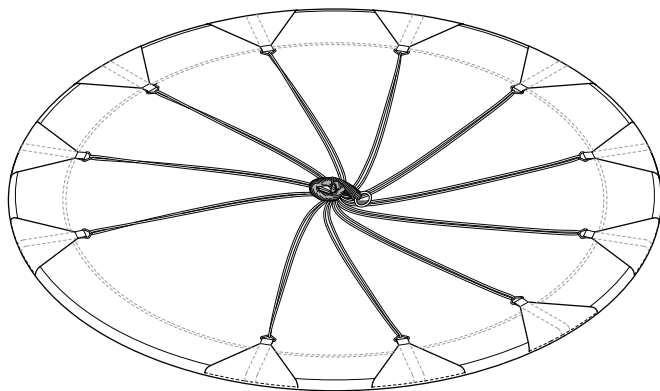
**1x**  
Cubby Canopy



**6x**  
Metal Tubes



**1x**  
Pillow



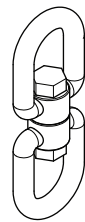
**1x**  
Cubby Swing Seat



**1x**  
Swing Hook



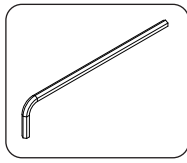
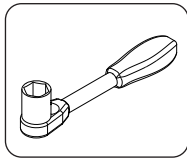
**1x**  
Carabiner



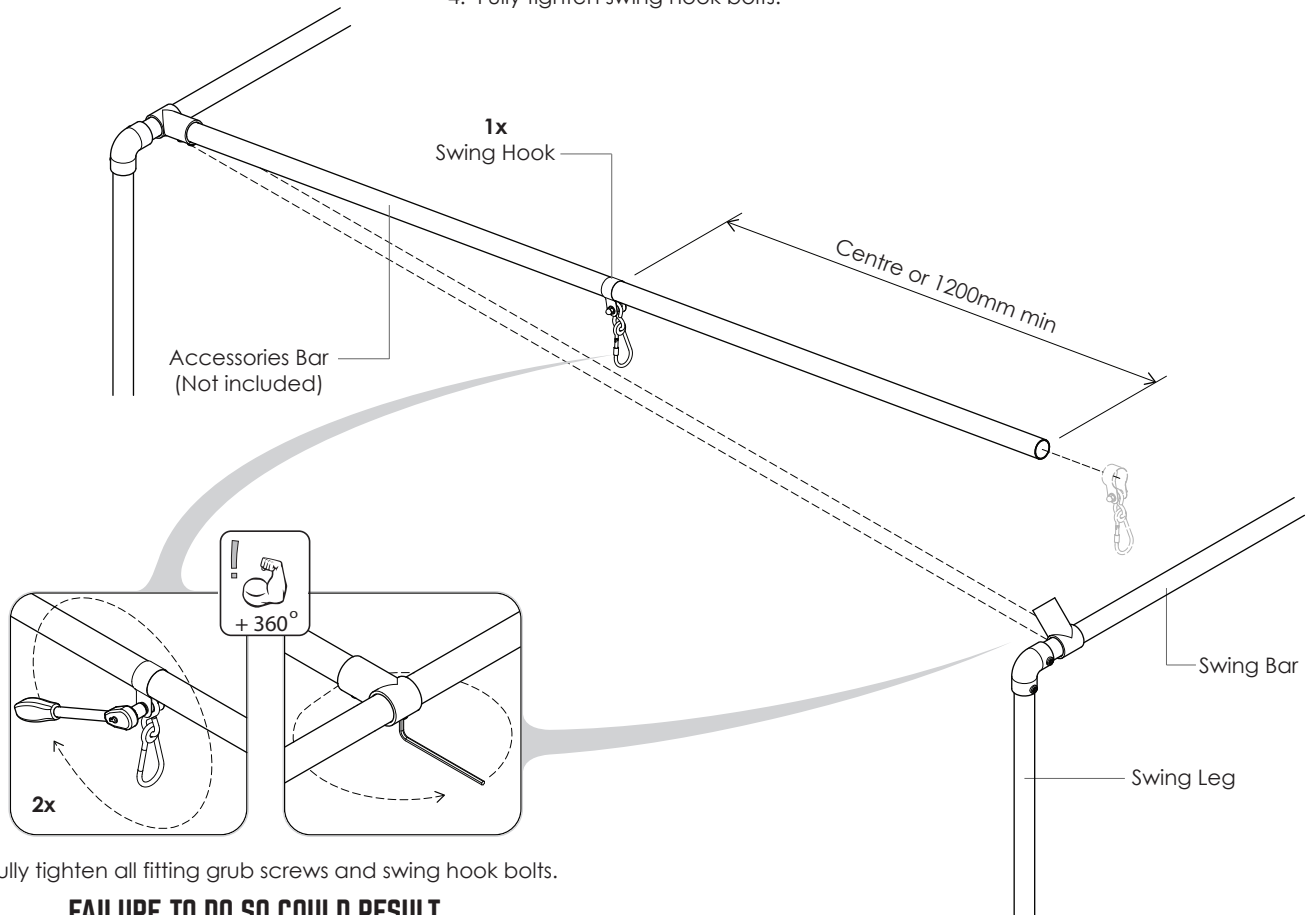
**1x**  
Swivel Shackle

## ASSEMBLY INSTRUCTIONS - SWING HOOK

### 1 INSTALL SWING HOOKS AND TIGHTEN BOLTS



1. Position swing hook on an accessories bar.
2. Loosen any necessary fittings and slide swing hook onto accessories tube into central location. Ensure the swing hook is placed away from other approved Funky Monkey Bars® accessories and is spaced 1200mm apart from any other swing hook or fitting.
3. Fully re-tighten any loosened fittings.
4. Fully tighten swing hook bolts.

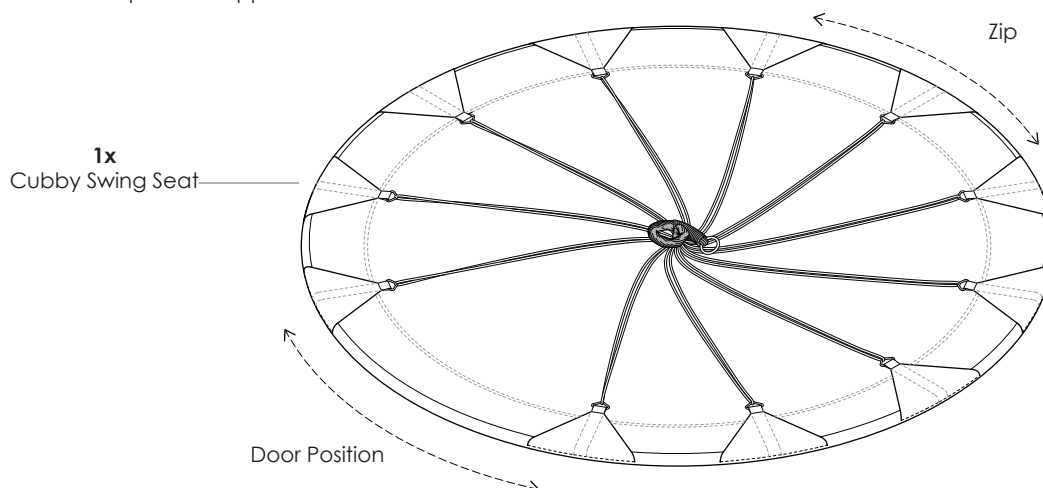


Fully tighten all fitting grub screws and swing hook bolts.

**FAILURE TO DO SO COULD RESULT  
IN SERIOUS INJURY OR DEATH.**

### 2 LAY OUT CUBBY SWING SEAT

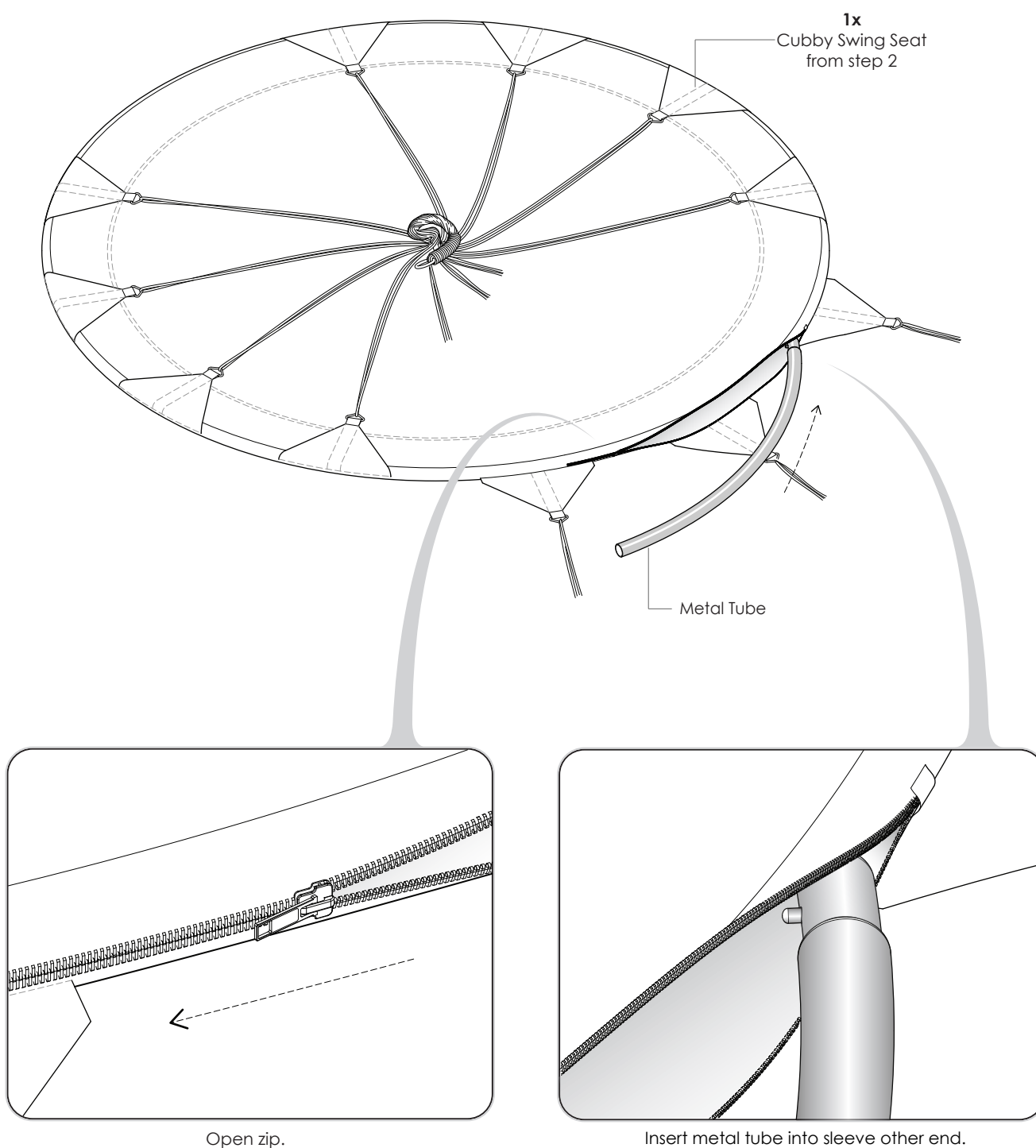
1. On flat level ground lay out the cubby swing seat.
2. Find the door opening (where there is a larger gap between hanging ropes) and the zip on the opposite side.



### 3 INSERT METAL TUBE



1. Open zip along back sleeve edge.
2. Insert the first metal tube into the sleeve - push button end first.
3. Insert 3/4 of the way.



1x  
Cubby Swing Seat  
from step 2

Metal Tube

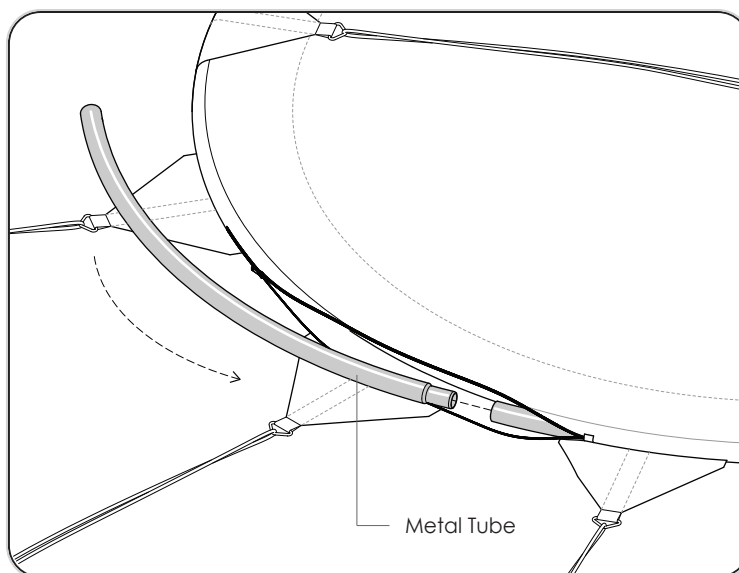
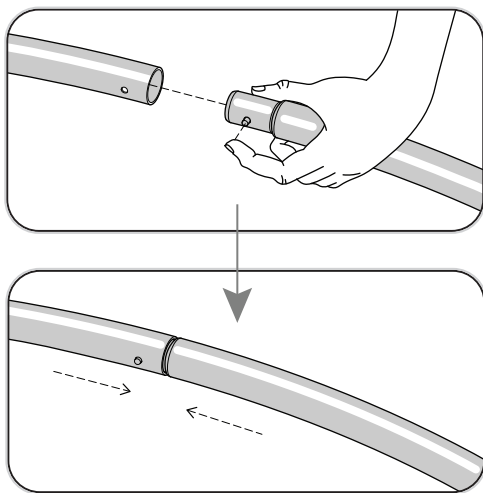
Open zip.

Insert metal tube into sleeve other end.

## 4 INSERT SECOND METAL TUBE



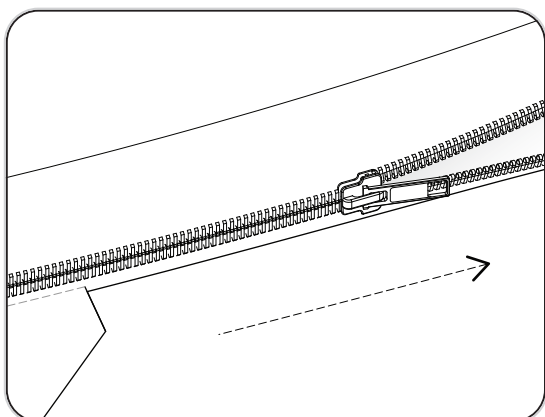
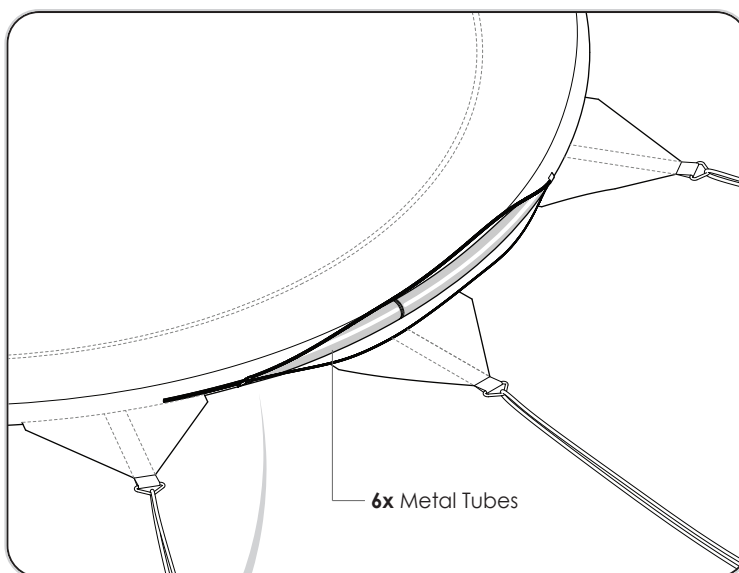
1. Insert second metal tube into first metal tube in sleeve (small end into large end of first tube).
2. Connect and lock the tubes together by pressing the small button as shown below.



## 5 INSERT REMAINING METAL TUBES



1. Repeat this process of inserting the metal tubes until all tubes are inserted and connected in the sleeve.
2. Close zip .



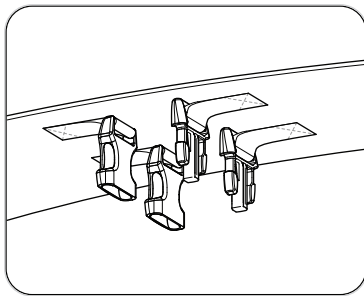
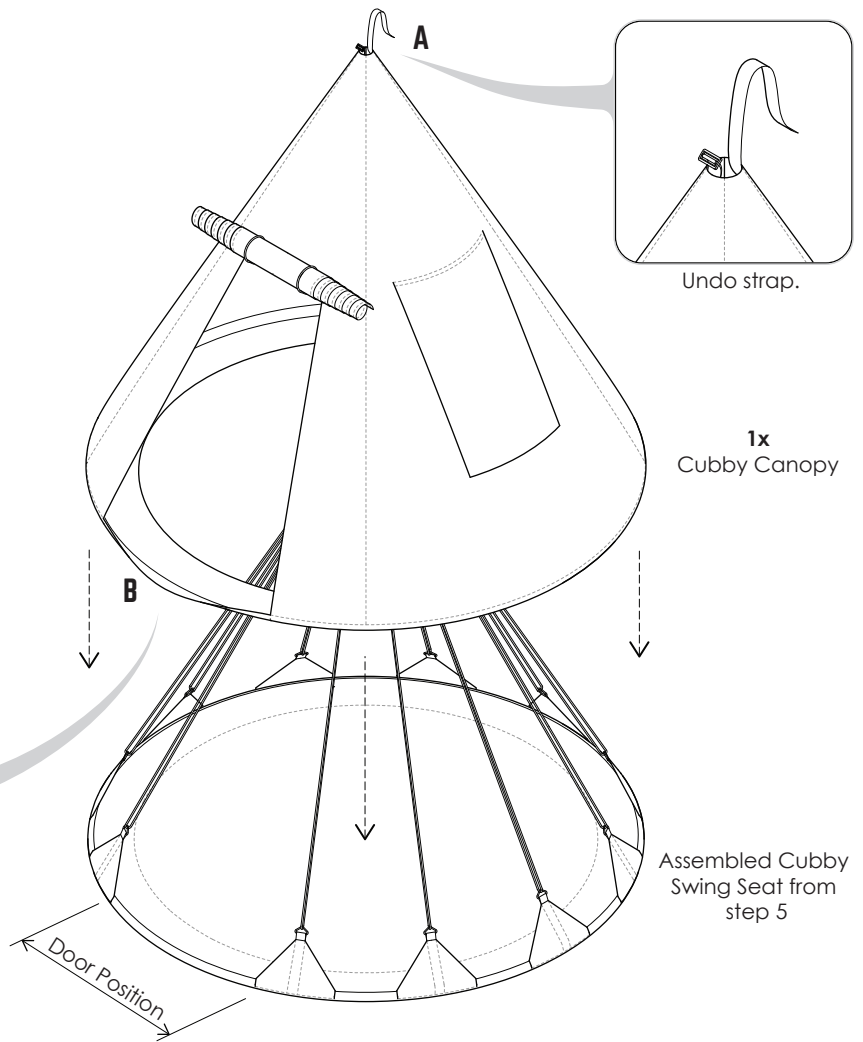
Close zip.

# ASSEMBLY INSTRUCTIONS - SWINGING CUBBY

## 6 ASSEMBLE SWINGING CUBBY



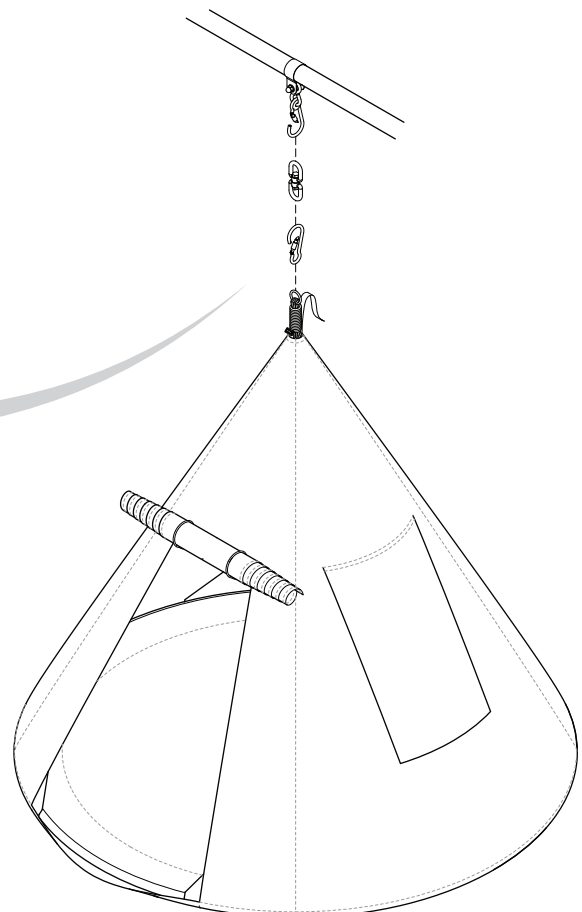
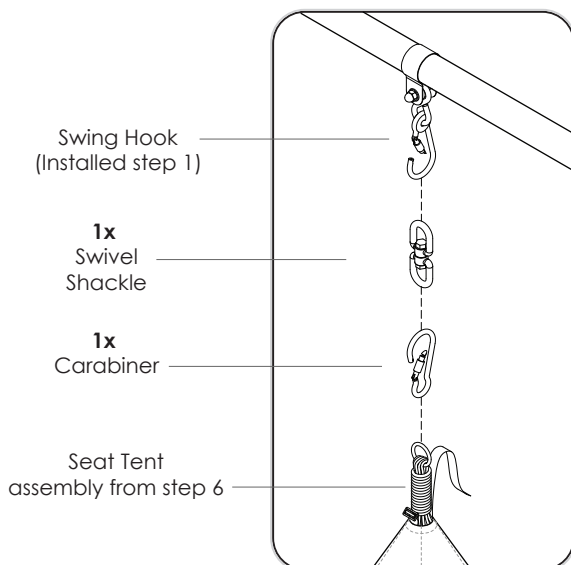
1. Fit the cubby canopy over cubby swing seat by pulling hanging bracket through top hole 'A', in cubby canopy.
2. Align the door gap on the cubby seat with the cubby canopy. (where there is a larger gap between the hanging ropes)
2. Ensure the strap at the top of the canopy is undone (A), and the buckles under the door access (B) are unclipped.
4. Pull the canopy base under and around the cubby seat.



Unclip buckles before install.

## 7 ATTACH SWINGING CUBBY

1. Ensure swing hook bolts are fully tightened. Failure to do so can result in **serious injury**.
2. Attach hanging fittings as shown. Ensure all shackles are closed and locked. Mind your fingers!

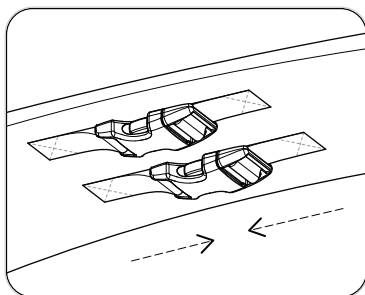


## ASSEMBLY INSTRUCTIONS - SECURING THE SWINGING CUBBY

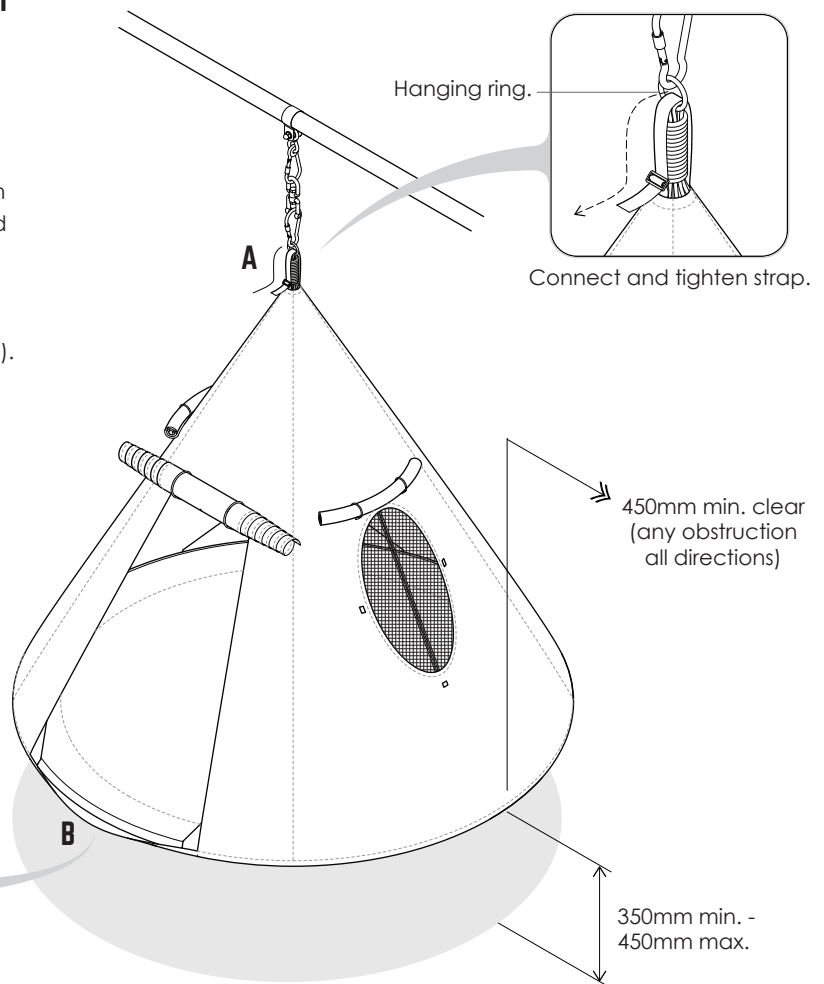
### 8 SECURE SWING CANOPY TO CUBBY SWING SEAT



1. Ensure the swinging cubby is no higher than 450mm off the ground, no lower than 350mm to the ground and a minimum of 450mm away from any obstruction.
2. Clip the buckles under the door access together (B). This will secure the base of the canopy to the cubby swing seat.
3. Ensure the strap at the top of the canopy (A) is fed through the hanging ring and fully tightened. This will prevent the cubby canopy from being pulled downwards.



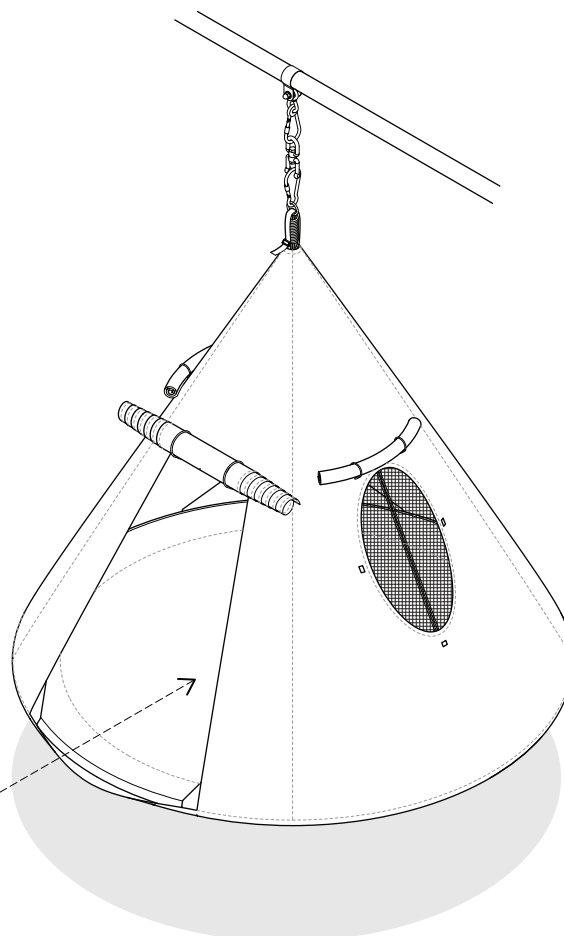
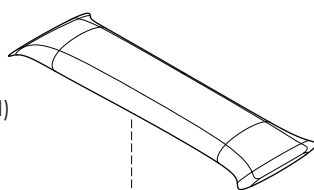
Clip buckles to fasten canopy base.



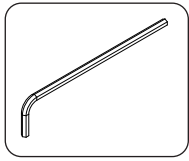
### 9 ADD ACCESSORIES

Add accessories into the swinging cubby.

1x  
Pillow  
(Supplied)

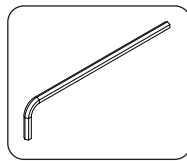
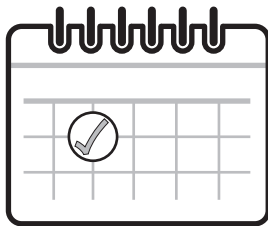


## 10 FINAL CHECKS



1. Ensure all swing hook bolts are firmly tightened.
2. Check that all other grub screws and rung bolts on your frame are fully tightened.
3. The entire Funky Monkey Bars® frame is pegged down.
4. Check all carabiner shackles are closed and locked.

## MAINTENANCE.



At the beginning of each heavy play session (especially a party) and twice a month during play season ensure;

1. Tighten all hardware - grub screws, nuts and bolts.
2. Pegs are in place and fully secure.
3. Lubricate all metallic moving parts with WD40 or Vaseline - (trolley and swing hooks.)
4. Ensure your frame is level and square.
5. When tent swings are NOT in use, bring indoors to prolong life of this product.

**FAILURE TO DO SO COULD RESULT IN SERIOUS INJURY OR DEATH.**

**FOR MORE INFORMATION AND ASSEMBLY TIPS  
PLEASE REFER TO OUR WEBSITE VIDEO INSTRUCTION SECTION AT  
[HTTP://WWW.FUNKYMONKEYBARS.COM/PAGES/VIDEOS](http://www.funkymonkeybars.com/pages/videos)**

HAVE FUN





ABN 72 164 496 520  
 1300 912 198  
 [info@funkymonkeybars.com](mailto:info@funkymonkeybars.com)  
 [www.funkymonkeybars.com](http://www.funkymonkeybars.com)  
 9 Cutting Way,  
**Yangebup** WA 6164



**WE ARE SOCIAL MONKEYS**



**Australian Government**  
**IP Australia**

All Funky Monkey Bars® designs are registered and protected under IP Australian certification.