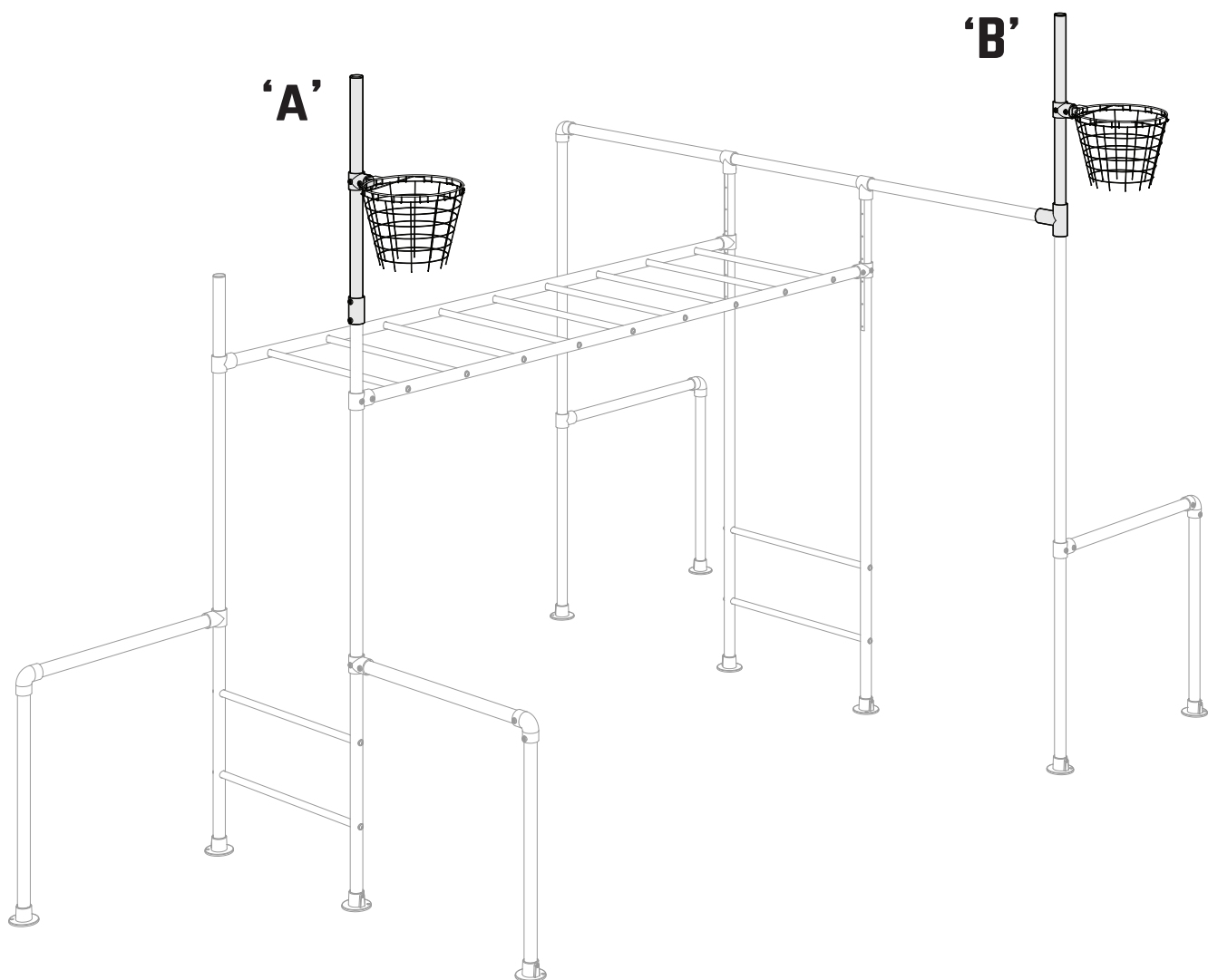


FUNKY Monkey bars®



NETBALL HOOP (ADD-ON) - OPTION 'A' AND 'B' POSITIONS ASSEMBLY INSTRUCTIONS

CONTENTS

Warnings	Page 1
Assembly Tips	Page 3
Inventory and Tools	Page 4
Assembly Instructions	Page 5
Netball Hoop Position.	Page 5
Position A installation	Page 6
Position B installation	Page 9
Maintenance	Page 11

WARNING

PLEASE CAREFULLY READ ALL INFORMATION CONTAINED IN THIS ASSEMBLY MANUAL BEFORE YOU INSTALL AND USE YOUR FUNKY MONKEY BARS®.

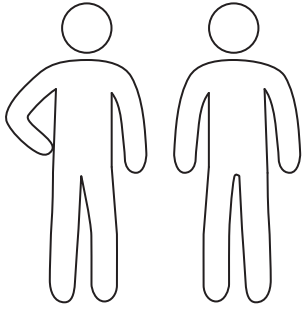
SAFETY NOTICE

1. Any person handling or using the Funky Monkey Bars® products must follow the instructions as described in this document. The person in charge of assembling and using the equipment must ensure that the recommendations for use given in this document are seen by all users.
2. Only use the Funky Monkey Bars® after they have been fully assembled and after checking that the fittings are tightened properly (*refer to page 3 - Correct Tightening Method*).
3. DO NOT install your Funky Monkey Bars® over concrete, asphalt, packed earth, wood decking or any other hard surface. A fall onto a hard surface can result in serious injury or death.
4. Inspect all grub screws, bolts and nuts at the beginning of each play session to ensure your Funky Monkey Bars® are tight and secure.
5. Ensure all tubes are fully inserted into fittings until you hear the magic "CLUNK" sound.
6. Ensure your Funky Monkey Bars® are properly secure at ALL times. Pegs are in place and inserted fully into the ground.
7. DO NOT exceed the maximum load/weight limit as recommended by Funky Monkey Bars®.
8. Children should be supervised by an adult at all times.
9. Installing a gym/crash mat under the fall zone area of your Funky Monkey Bars® would be recommended for children learning this new skill. This will reduce the chance of injury and build the child's confidence while they build strength and master the skill.
10. Ensure you have thoroughly read your assembly and installation instructions and viewed our on-line installation videos at <https://www.funkymonkeybars.com/blogs/installation-maintenance-videos>
11. DO NOT climb, sit or stand on top of the monkey bar (horizontal ladder) section.
12. DO NOT jump from the top of any section of the monkey bar.
13. DO NOT use your Funky Monkey Bars® when wet as the steel will be slippery.
14. DO NOT attach items to your frame that are not designed specifically to be used with Funky Monkey Bars®, especially lower quality products that have not been approved by Funky Monkey Bars®.
15. Ensure the height of your Funky Monkey Bars® (horizontal ladder) are set at a level that is age appropriate.
16. DO NOT install your Funky Monkey Bars® over or near objects that could interfere with users in an unsafe way. Maintain a clear area around your Funky Monkey Bars®.
17. DO NOT use your Funky Monkey Bars® while under the influence of drugs and alcohol.
18. Wear clothing free of drawstrings, hooks, loops or anything that could get caught while using your Funky Monkey Bars® and result in entanglement and/or strangulation.

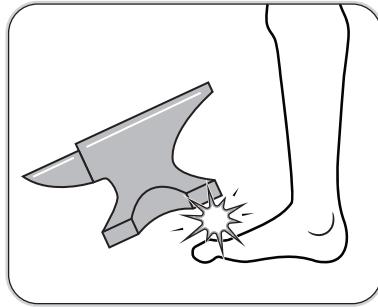
ASSEMBLY

1. Keep small children away from the Funky Monkey Bars® during assembly.
2. Do not attempt to use the Funky Monkey Bars® until it is completely assembled and every fitting is tight and secured.
3. Installation typically takes 1 hour to complete. Two people are recommended for assembly.
4. Ensure all fittings are tightened to the correct tightening method as described on page 3.
5. Assembly should be carried out on clean, dry, level surface

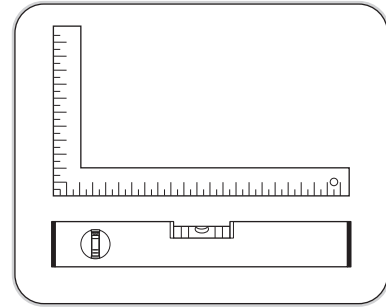
Please refer to the video section on the Funky Monkey Bars® website for more handy tips and assembly instructions at <http://www.funkymonkeybars.com/pages/videos>



Assembly requires 2 adults.



Heavy items !



Work on flat level surface.

LOCATION

1. A safe fall zone around your Funky Monkey Bars® is essential. A minimum distance of 1.5m to 2m (5 ft to 6.5ft) is recommended around the elevated hanging points of your Funky Monkey Bars®.
2. Place your Funky Monkey Bars® on level ground, away from any structure or obstruction such as a fence, garage, house, overhanging branches, laundry lines or electrical wires and remove any obstructions beneath your Funky Monkey Bars®.
3. Ensure your Funky Monkey Bars® are positioned away from retaining walls, pool fences, structures and other play equipment. Maintain a clear space around the whole perimeter of your Funky Monkey Bars®.
4. Place your Funky Monkey Bars® on the most level surface available.

MAINTENANCE

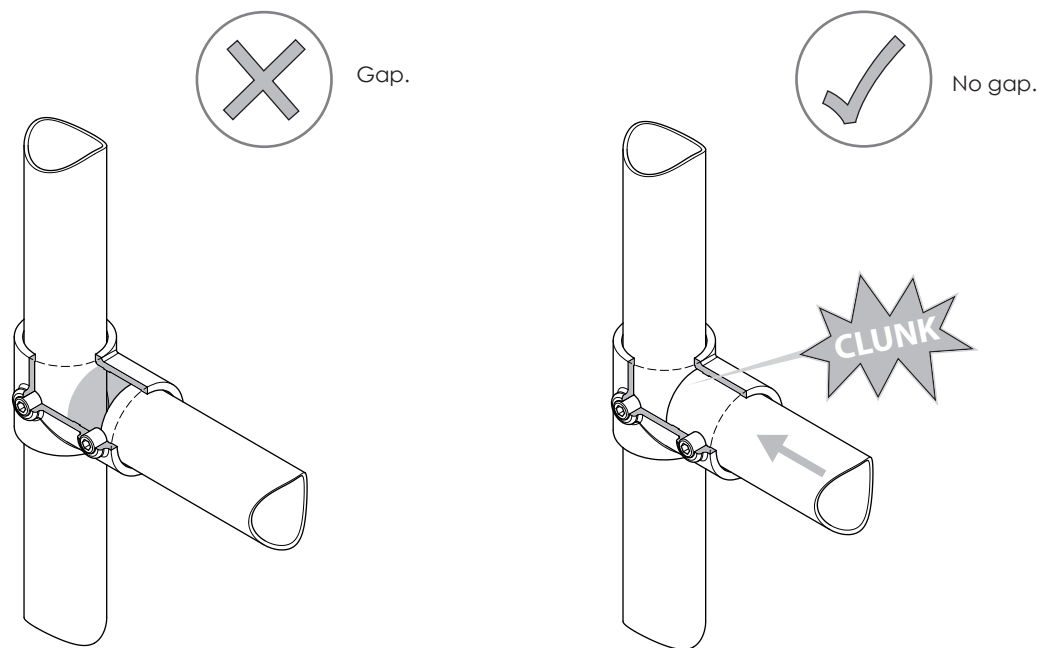
1. At the beginning of each heavy play session we recommend the following maintenance processes be performed on your Funky Monkey Bars®:
 - Tighten all bolts, grub screws and applicable hardware (as per page 3)
 - Lubricate all metallic moving parts as per instructions (flying fox, swing hooks etc)
 - Check all protective coverings on bolts, pipes, edges and corners. Replace if they are loose, cracked or missing.
 - Check all moving parts including swing seats, shackles, snap hooks, chains and trolleys for wear, rust, or other deterioration. Replace as needed.
2. Twice a month during play season we would recommend the following maintenance processes be performed on your Funky Monkey Bars®:
 - Tighten all connections and hardware
 - Check all protective coverings on bolts, pipes, edges and corners. Replace if they are loose, cracked or missing.
3. Once a month during play season we would recommend the following maintenance processes be performed on your Funky Monkey Bars®:
 - Lubricate all metallic moving parts as per instructions (flying fox, swing hooks etc). If swings start to squeek then lubricate swing hooks.
 - Check all moving parts including swing seats, ropes, chains and trolleys for wear, rust, or other deterioration. Replace as needed.
 - Owners shall be responsible for maintaining the legibility of any warning labels.

For additional information concerning your Funky Monkey Bars®, please contact our customer service team or check our website for any important updates. Phone - 1300 912 198 or www.funkymonkeybars.com

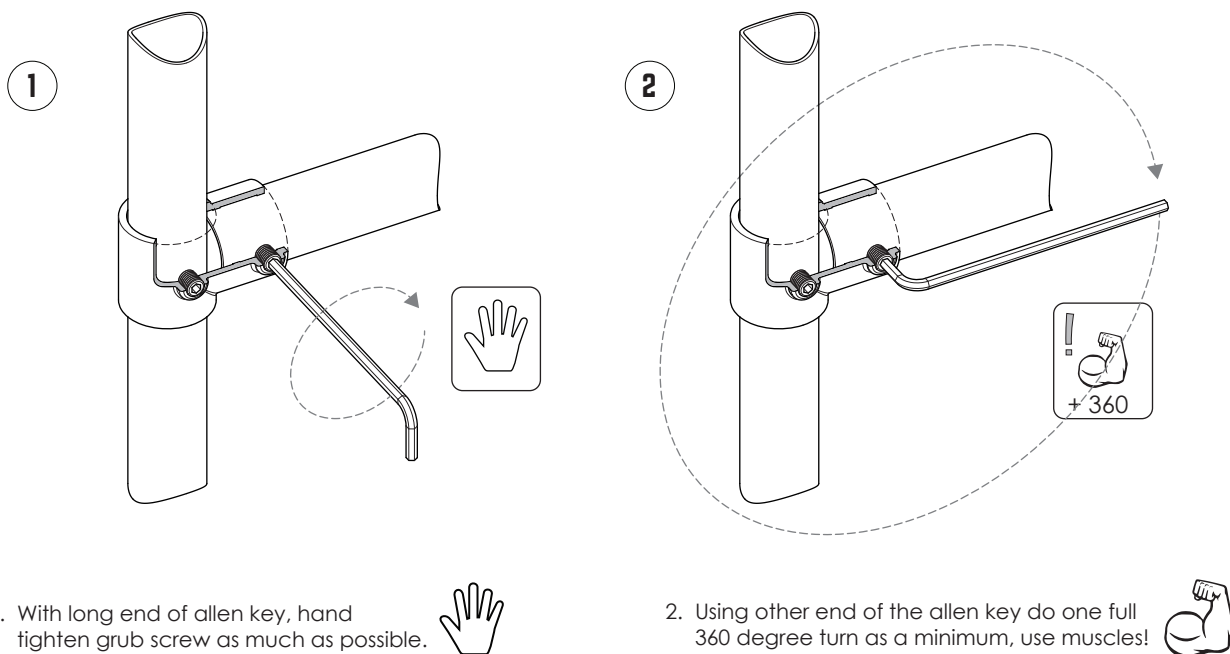
ASSEMBLY TIPS

CORRECT INSERTION INTO FITTINGS - (INDICATIVE DIAGRAM SHOWN)

All tubes must be fully inserted until contact is made with adjoining tube.

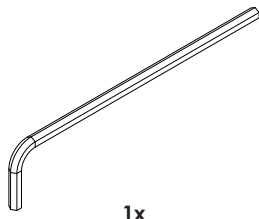


CORRECT TIGHTENING METHOD OF GRUB SCREWS - (INDICATIVE DIAGRAM SHOWN)

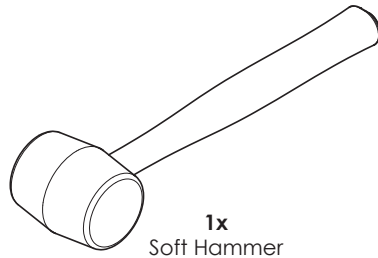


TOOLS & INVENTORY

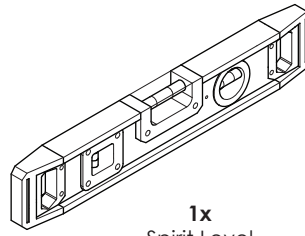
TOOLS REQUIRED FOR INSTALLATION



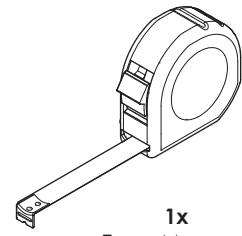
1x
8mm Allen key
(Included)



1x
Soft Hammer
(Not included)



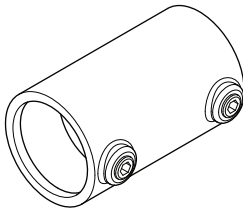
1x
Spirit Level
(Not included)



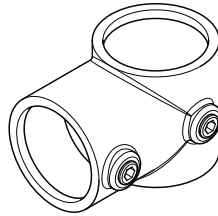
1x
Tape Measure
(Not included)

THE INVENTORY AND ASSEMBLY METHOD WILL VARY ACCORDING TO THE PURCHASED NETBALL HOOP ADD-ON AS PER STEP 1 (PG. 5) - YOUR SUPPLIED PACK WILL CONTAIN EITHER POSITION OPTION 'A' OR POSITION OPTION 'B' PARTS.

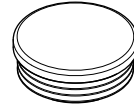
INVENTORY - (POSITION OPTION 'A') Not to scale



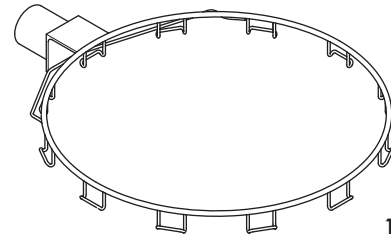
1x
Sleeve
D-149



1x
Short Tee
D-101



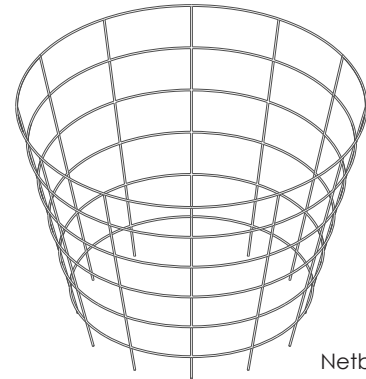
1x
Plastic End Cap



1x
Netball Hoop

1x
Netball Tube

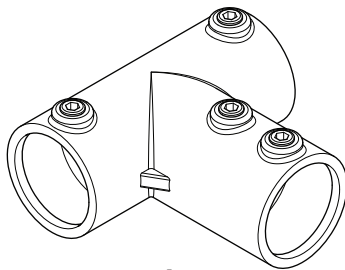
50Dia. x 900mm



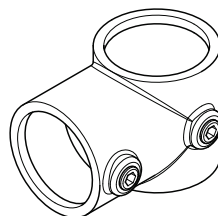
1x
Netball Net

OR

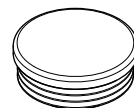
INVENTORY - (POSITION OPTION 'B') Not to scale



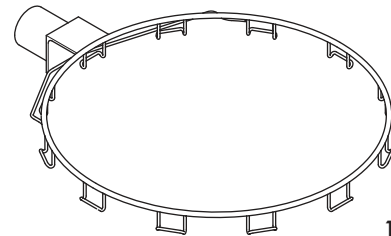
1x
Extra Long Tee
D-104L



1x
Short Tee
D-101



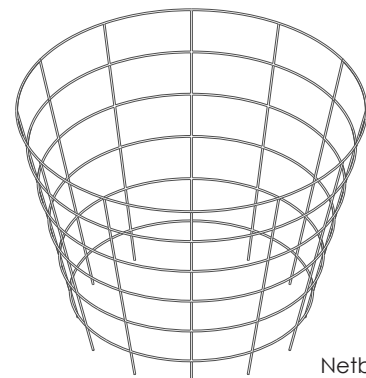
1x
Plastic End Cap



1x
Netball Hoop

1x
Netball Tube

50Dia. x 900mm



1x
Netball Net

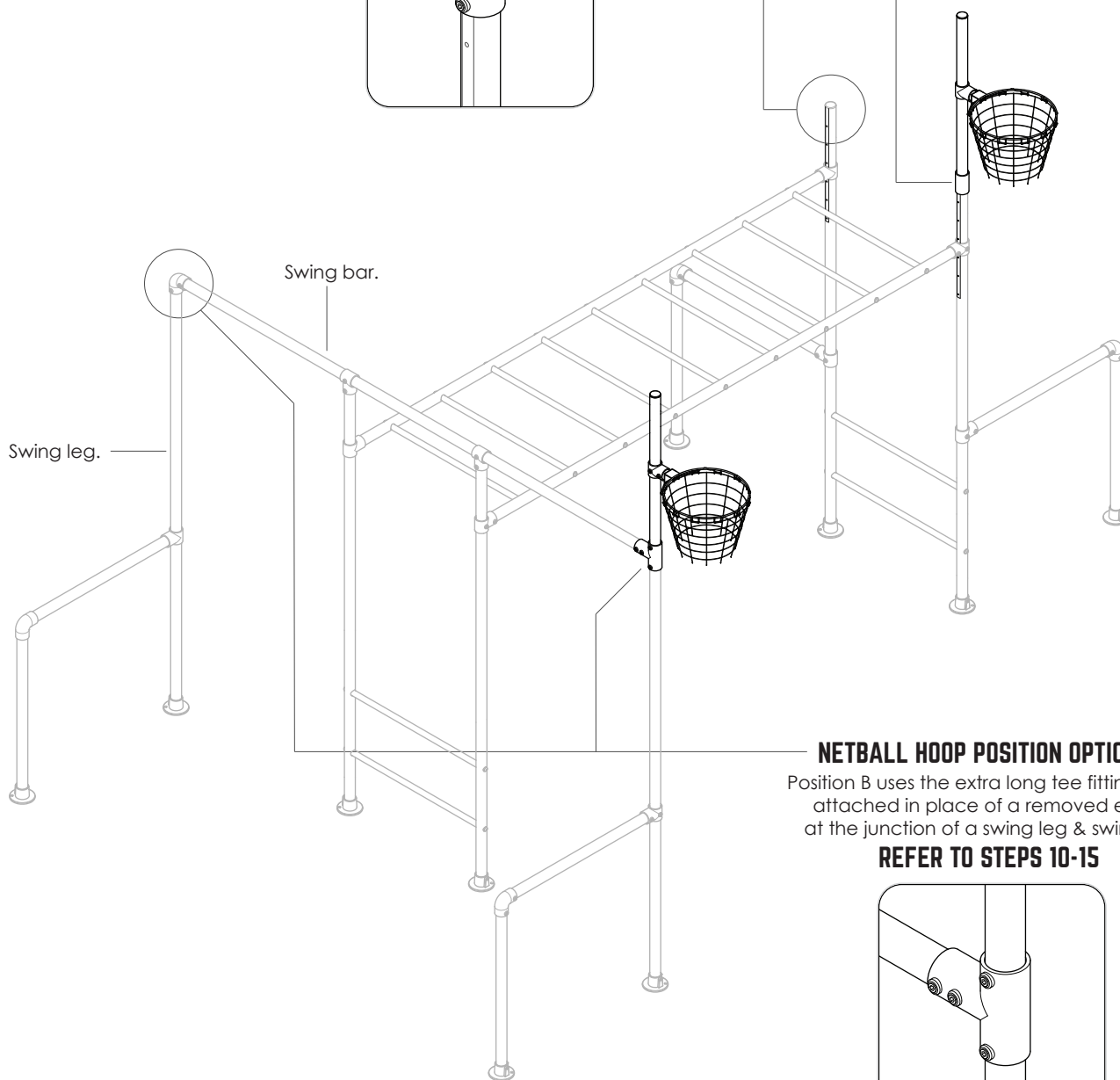
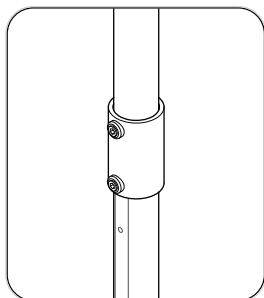
1 SELECT DESIRED POSITION OF NETBALL HOOP (A OR B)

(Assembly for Chimp frame shown in example)

NETBALL HOOP POSITION OPTION 'A'.

Position A uses the sleeve fitting and is attached at the end of any upright.

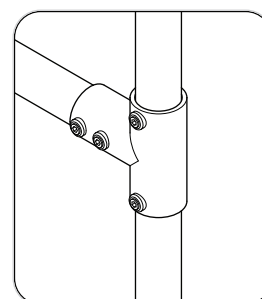
REFER TO STEPS 2-9



NETBALL HOOP POSITION OPTION 'B'.

Position B uses the extra long tee fitting and is attached in place of a removed elbow at the junction of a swing leg & swing bar.

REFER TO STEPS 10-15



NOTE:

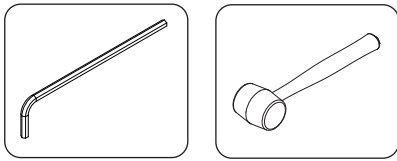
Both position A & B require slightly different assembly methods.
Please refer to the applicable steps as follows.

ASSEMBLY INSTRUCTIONS - POSITION 'A' INSTALLATION

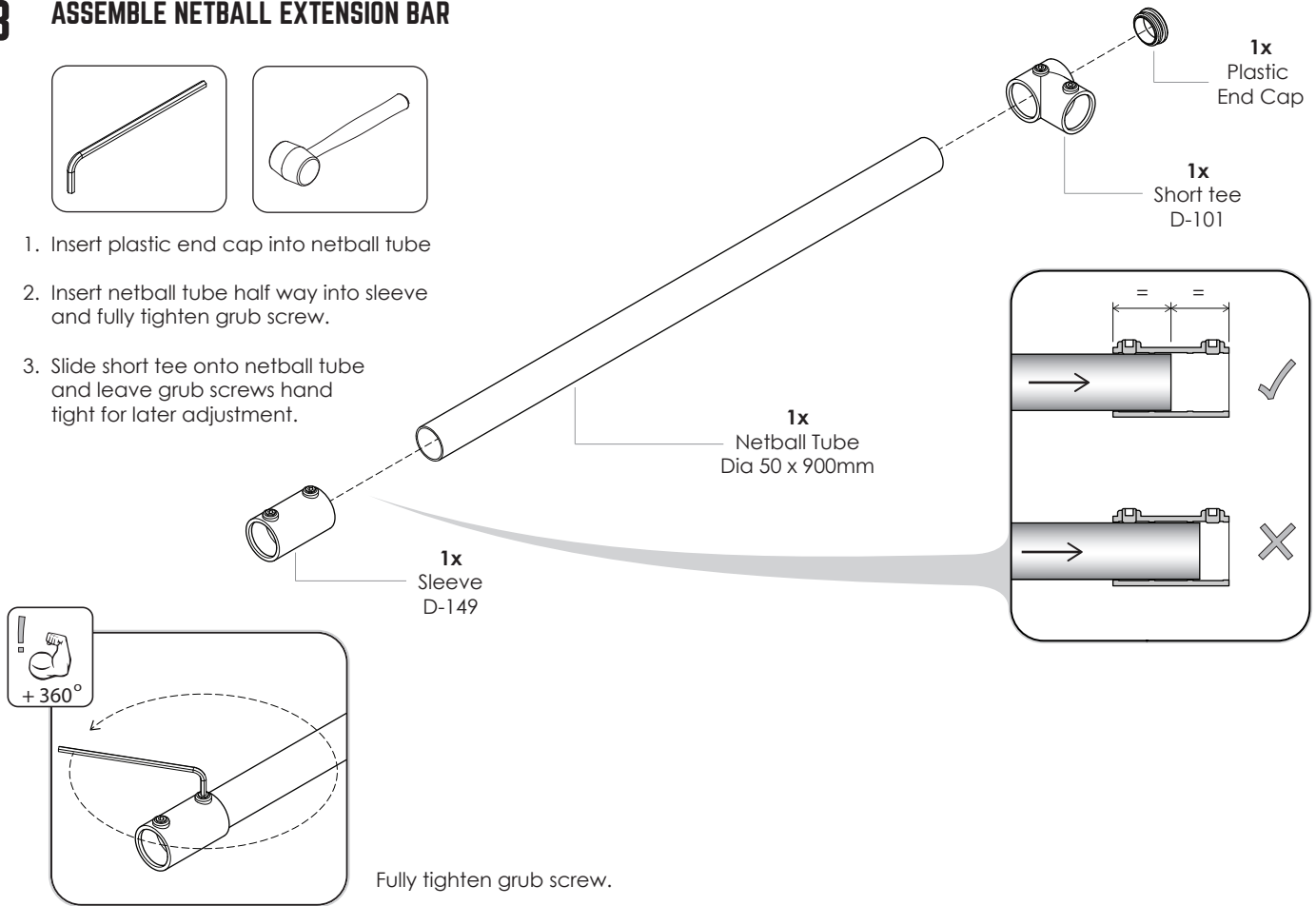
2 THE FOLLOWING STEPS 3-9 ARE FOR THE NETBALL HOOP POSITION OPTION 'A'.

Please refer to page 9 for position option 'B'.

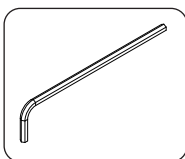
3 ASSEMBLE NETBALL EXTENSION BAR



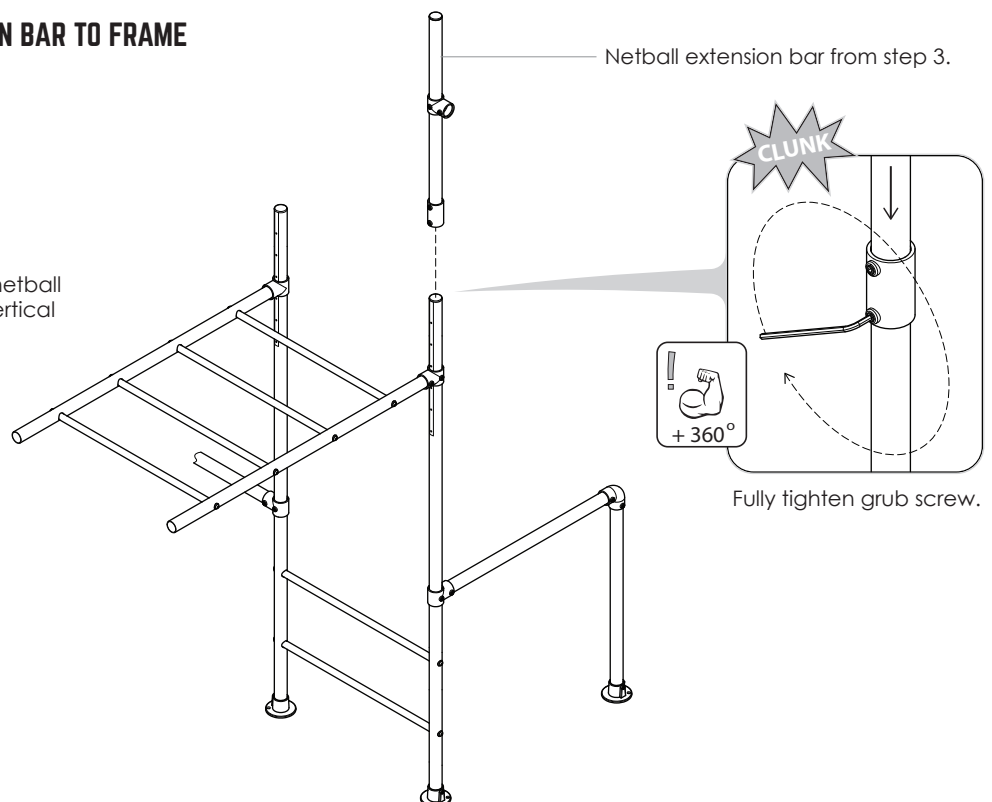
1. Insert plastic end cap into netball tube
2. Insert netball tube half way into sleeve and fully tighten grub screw.
3. Slide short tee onto netball tube and leave grub screws hand tight for later adjustment.



4 ATTACH NETBALL EXTENSION BAR TO FRAME



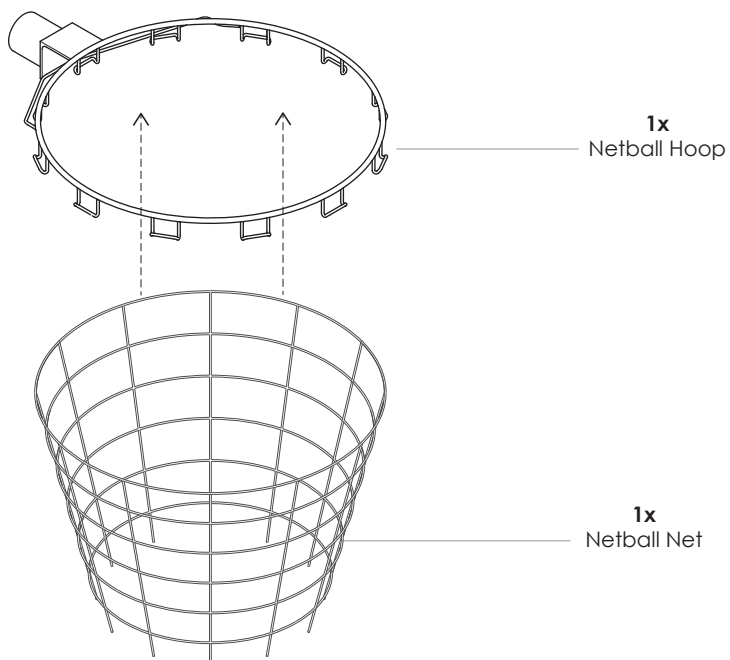
1. Insert other half of sleeve and netball extension bar assembly onto vertical upright
2. Fully tighten grub screw.



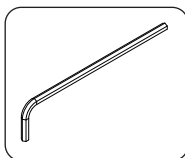
5 ATTACH NET TO HOOP



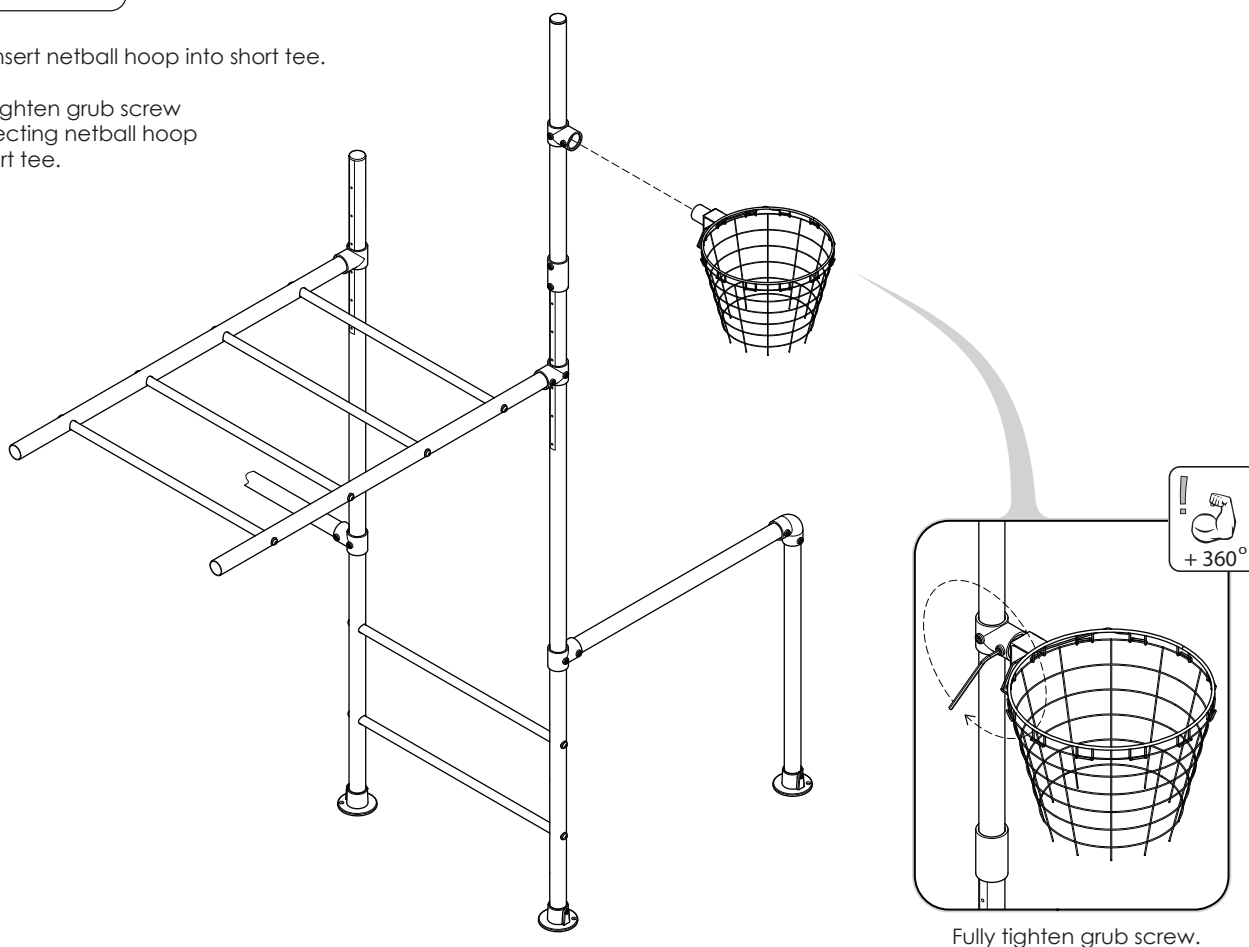
Attach netball net to netball hoop.



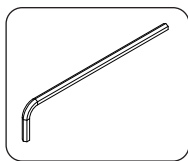
6 ATTACH NETBALL HOOP ASSEMBLY



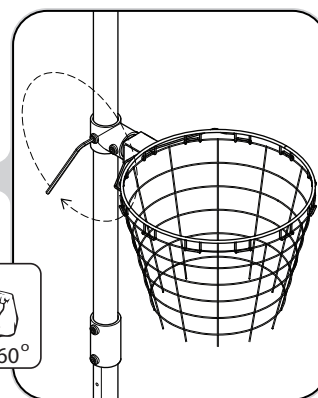
1. Fully insert netball hoop into short tee.
2. Fully tighten grub screw connecting netball hoop to short tee.



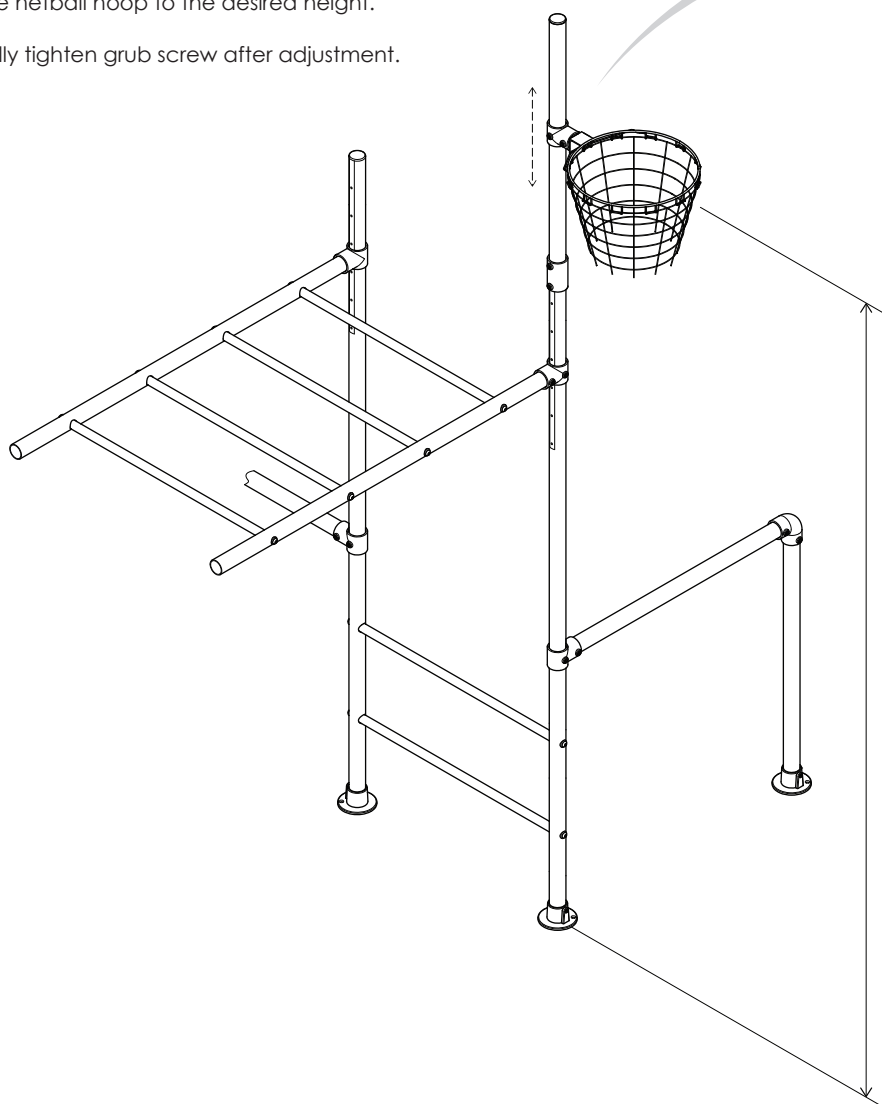
7 ADJUST TO DESIRED HEIGHT



1. By loosening the grub screw on the short tee to netball tube raise or lower the netball hoop to the desired height.
2. Fully tighten grub screw after adjustment.



Fully tighten grub screw after adjusting height.

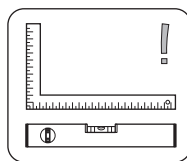
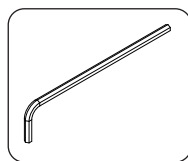


Set to desired height

NOTE: The official height of a netball hoop is 3.05 meters or 10ft.

For those under the age of 10 the modified height is 2.4m or 8ft.

8 FINAL CHECKS

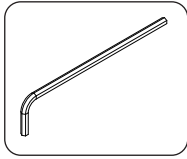


1. Ensure netball hoop assembly is square and level.
2. Firmly tighten all grub screws.

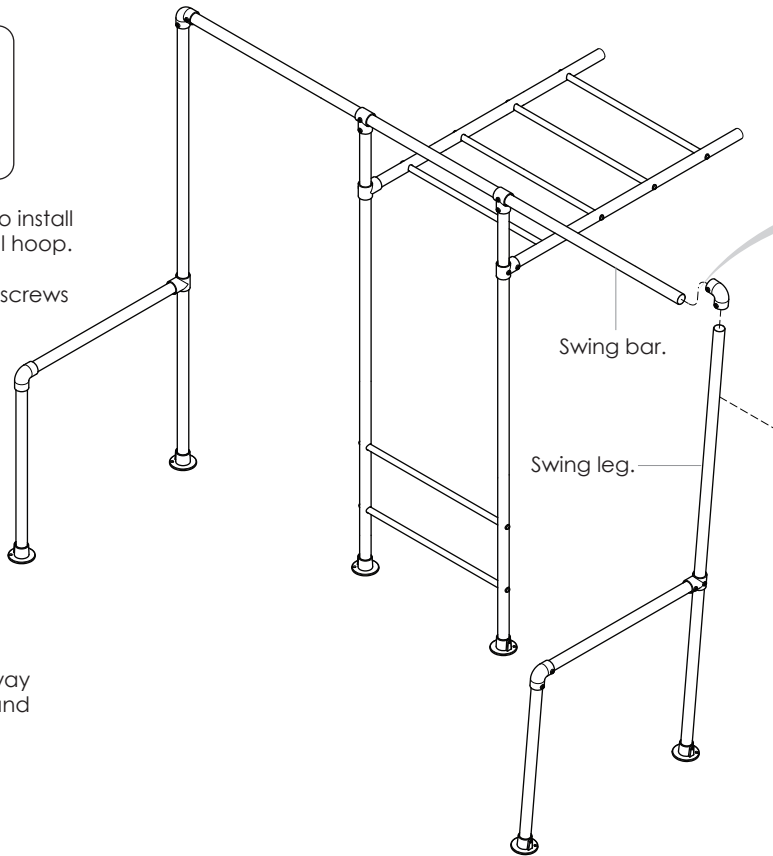
9 PLEASE SKIP TO STEP 16 (PAGE 11) FOR FINAL ASSEMBLY INSTRUCTIONS

10 THE FOLLOWING STEPS 10-20 ARE FOR THE NETBALL HOOP POSITION OPTION 'B'.
Please refer to page 6 for position option 'A'.

11 REMOVE ELBOW

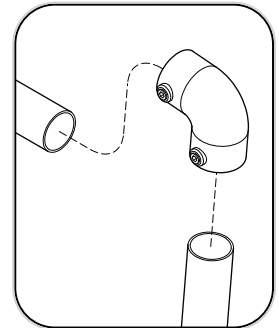
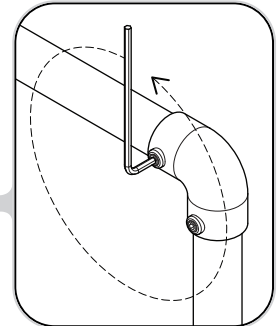


1. Select location to install position B netball hoop.
2. Undo both grub screws on elbow.



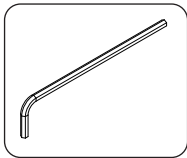
3. Pull swing leg away from swing bar and remove elbow.

Loosen grub screws x2.

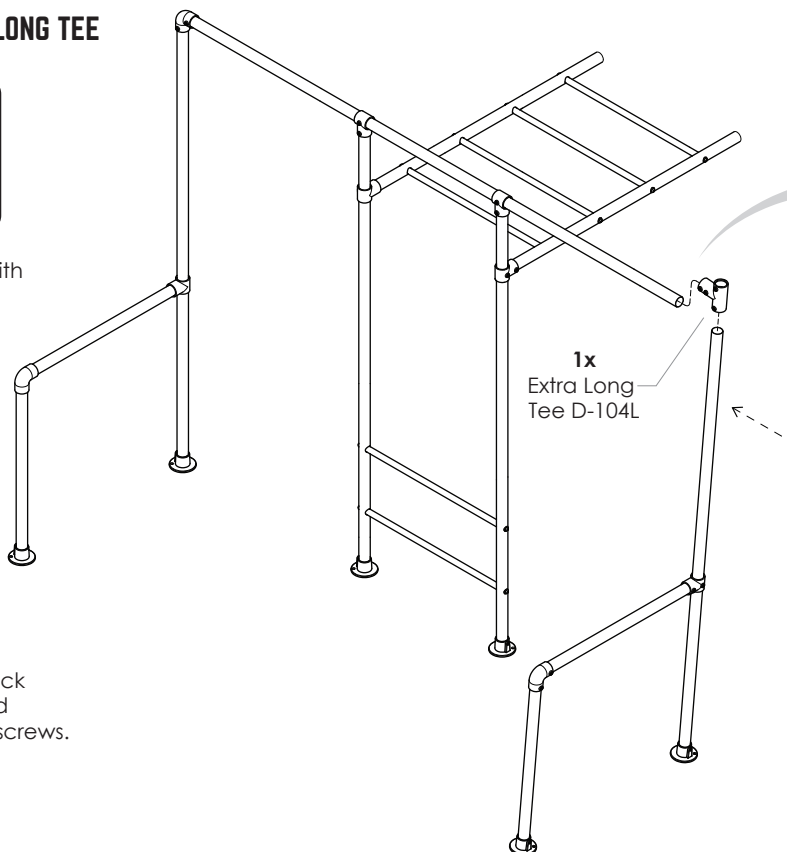


Remove elbow.

12 ATTACH EXTRA LONG TEE

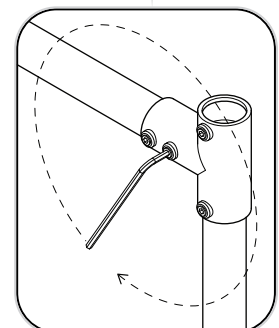
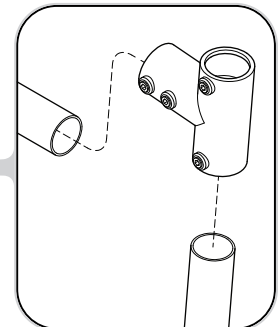


1. Replace elbow with extra long tee.



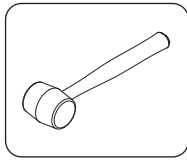
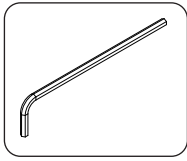
2. Push swing leg back into swing bar and fully tighten grub screws.

Insert extra long tee.

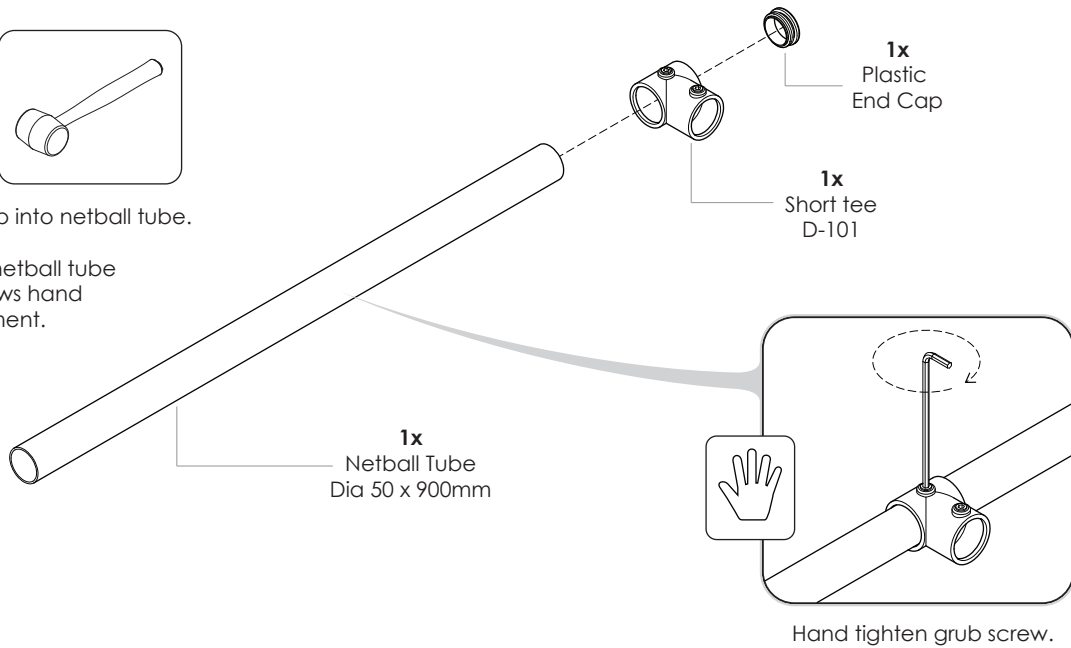


Fully tighten grub screws x3.

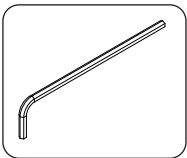
13 ASSEMBLE NETBALL EXTENSION BAR



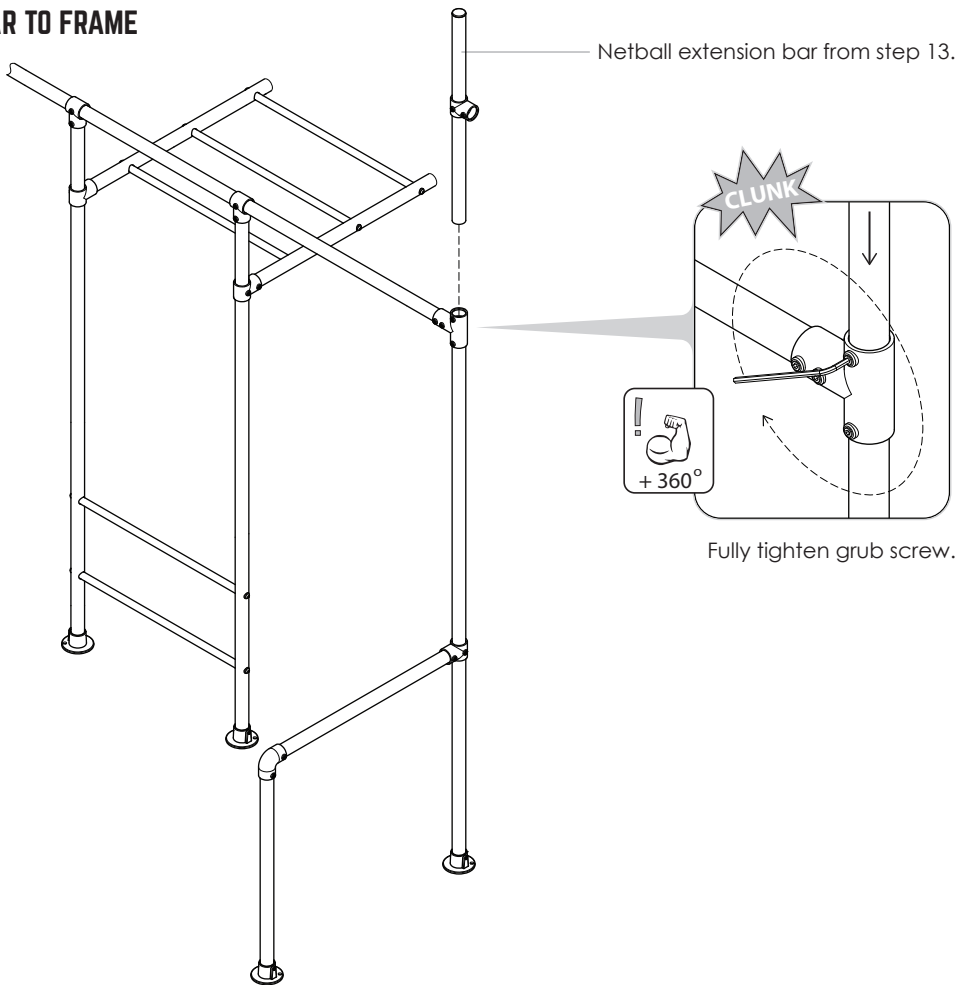
1. Insert plastic end cap into netball tube.
2. Slide short tee onto netball tube and leave grub screws hand tight for later adjustment.



14 ATTACH NETBALL EXTENSION BAR TO FRAME

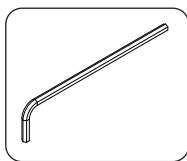
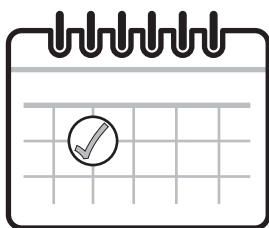


1. Fully insert end of netball extension bar assembly into extra long tee.
2. Fully tighten grub screw.



15 PLEASE FOLLOW STEPS 5, 6, 7, 8 & 9 FROM POSITION OPTION A TO COMPLETE YOUR INSTALLATION OF NETBALL HOOP POSITION OPTION B

16 MAINTENANCE.



At the beginning of each heavy play session (especially a party) and twice a month during play season ensure;

1. Tighten all hardware - grub screws, nuts and bolts.
2. Pegs are in place and fully secure.
3. Lubricate all metallic moving parts with WD40 or Vaseline - (trolley and swing hooks.)
4. Ensure your frame is level and square.

FAILURE TO DO SO COULD RESULT IN SERIOUS INJURY OR DEATH.

**FOR MORE INFORMATION AND ASSEMBLY TIPS
PLEASE REFER TO OUR WEBSITE VIDEO INSTRUCTION SECTION AT
[HTTP://WWW.FUNKYMONKEYBARS.COM/PAGES/VIDEOS](http://www.funkymonkeybars.com/pages/videos)**

17 HAVE FUN



NOTES.



ABN 72 164 496 520
 1300 912 198
 info@funkymonkeybars.com
 www.funkymonkeybars.com
 9 Cutting Way,
Yangebup WA 6164



WE ARE SOCIAL MONKEYS



Australian Government
IP Australia

All Funky Monkey Bars® designs are registered and protected under IP Australian certification.