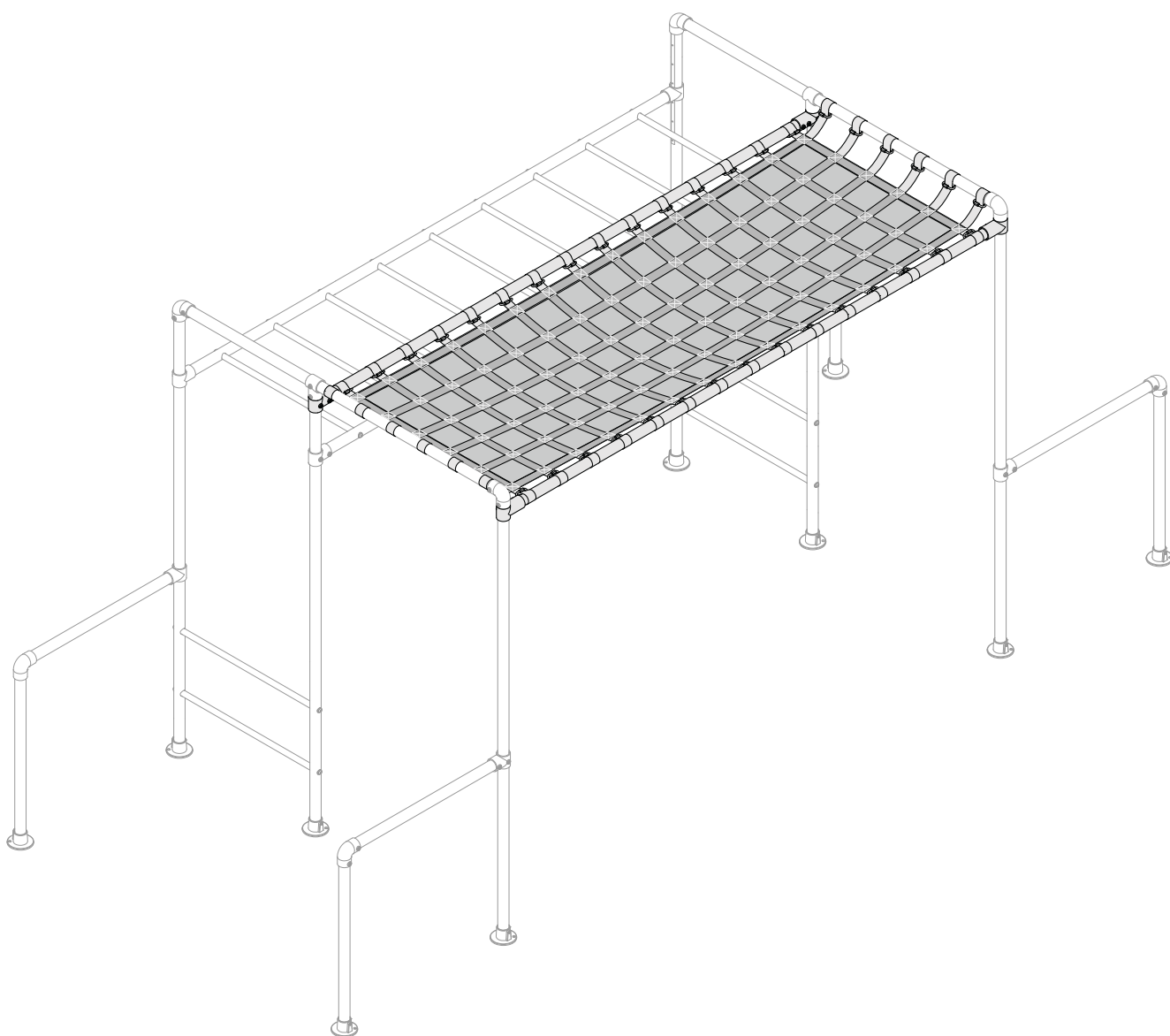


FUNKY Monkey bars®



HORIZONTAL CARGO NET ASSEMBLY INSTRUCTIONS

CONTENTS

Warnings Page 1

Assembly Tips Page 3

Inventory and Tools Page 4

Assembly Instructions Page 5

Number of accessories Bars Required ? Page 5

Existing Frame Preparation Page 6

Accessories Bar Page 7

Horizontal Cargo Net Page 8

Monkey Straps Page 11

Maintenance Page 12

WARNING

PLEASE CAREFULLY READ ALL INFORMATION CONTAINED IN THIS ASSEMBLY MANUAL BEFORE YOU INSTALL AND USE YOUR FUNKY MONKEY BARS®.

SAFETY NOTICE
RISK OF SERIOUS INJURY

DO NOT:

1. Climb, sit or stand on top of equipment.
2. Jump from top of equipment.
3. Attach foreign items not designed for equipment use.
4. Exceed load rated limit- Cargo Net: 360kg
Handles 130kg each
5. Wear loose items or clothing or accessories that may cause strangulation.
6. Install over a hard surface such as concrete, asphalt or hard packed earth.
7. Modify or alter equipment.

ALWAYS:

1. Use equipment as intended: to swing or hang from the underside only, use for play.
2. Use this product on Funky Monkey Bars® only.
3. Ensure adult supervision at all times.
4. Maintain regularly as detailed within owners manual and assembly instructions.
5. Ensure use of one person at a time.
6. Check the temperature of the surface before use in warm/hot weather.
7. Check product for faults and ensure all connections are closed and secured - replace worn, defective or missing parts when necessary.

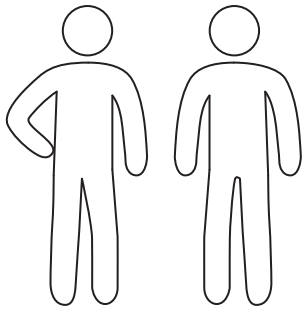
NOTE:

Supplying a gym/crash mat under the fall zone is recommended to reduce risk of injury.
Refer to Standards AS4685.1, ASTM F1148 and EN1176 for a complete list of cautionary statements and instructions.

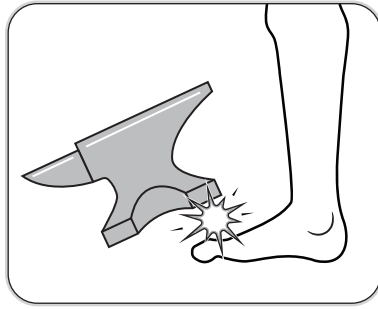
ASSEMBLY

1. Keep small children away from the Funky Monkey Bars® during assembly.
2. Do not attempt to use the Funky Monkey Bars® until it is completely assembled and every fitting is tight and secured.
3. Installation typically takes 1-2 hours to complete. Two people are recommended for assembly.
4. Ensure all fittings are tightened to the correct tightening method as described on page 3.
5. Assembly should be carried out on clean, dry, level surface

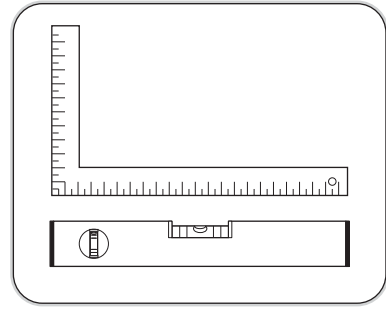
Please refer to the video section on the Funky Monkey Bars® website for more handy tips and assembly instructions at <http://www.funkymonkeybars.com/pages/videos>



Assembly requires 2 adults.



Heavy items !



Work on flat level surface.

LOCATION

1. A safe fall zone around your Funky Monkey Bars® is essential. A minimum distance of 1.5m to 2m (5 ft to 6.5ft) is recommended around the elevated hanging points of your Funky Monkey Bars®.
2. Place your Funky Monkey Bars® on level ground, away from any structure or obstruction such as a fence, garage, house, overhanging branches, laundry lines or electrical wires and remove any obstructions beneath your Funky Monkey Bars®.
3. Ensure your Funky Monkey Bars® are positioned away from retaining walls, pool fences, structures and other play equipment. Maintain a clear space around the whole perimeter of your Funky Monkey Bars®.
4. Place your Funky Monkey Bars® on the most level surface available.

MAINTENANCE

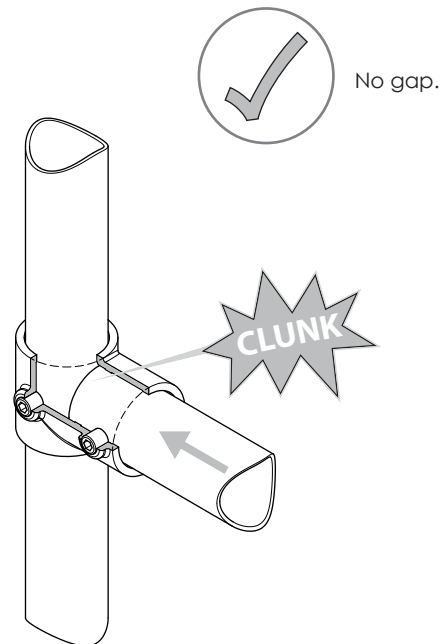
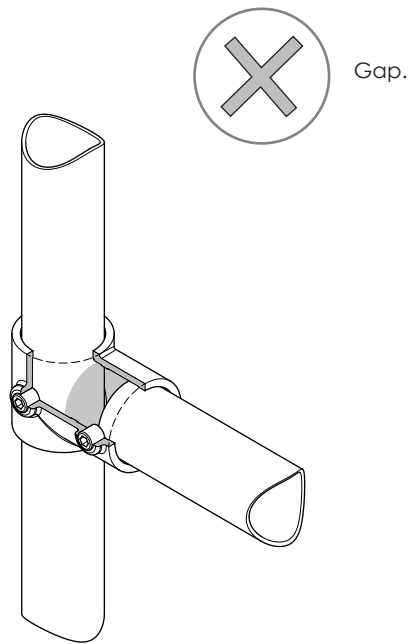
1. At the beginning of each heavy play session we recommend the following maintenance processes be performed on your Funky Monkey Bars®:
 - Tighten all bolts, grub screws and applicable hardware (as per page 3)
 - Lubricate all metallic moving parts as per instructions (flying fox, swing hooks etc)
 - Check all protective coverings on bolts, pipes, edges and corners. Replace if they are loose, cracked or missing.
 - Check all moving parts including swing seats, shackles, snap hooks, chains and trolleys for wear, rust, or other deterioration. Replace as needed.
2. Twice a month during play season we would recommend the following maintenance processes be performed on your Funky Monkey Bars®:
 - Tighten all connections and hardware
 - Check all protective coverings on bolts, pipes, edges and corners. Replace if they are loose, cracked or missing.
3. Once a month during play season we would recommend the following maintenance processes be performed on your Funky Monkey Bars®:
 - Lubricate all metallic moving parts as per instructions (flying fox, swing hooks etc). If swings start to squeak then lubricate swing hooks.
 - Check all moving parts including swing seats, ropes, chains and trolleys for wear, rust, or other deterioration. Replace as needed.
 - Owners shall be responsible for maintaining the legibility of any warning labels.

For additional information concerning your Funky Monkey Bars®, please contact our customer service team or check our website for any important updates. Phone - 1300 912 198 or www.funkymonkeybars.com

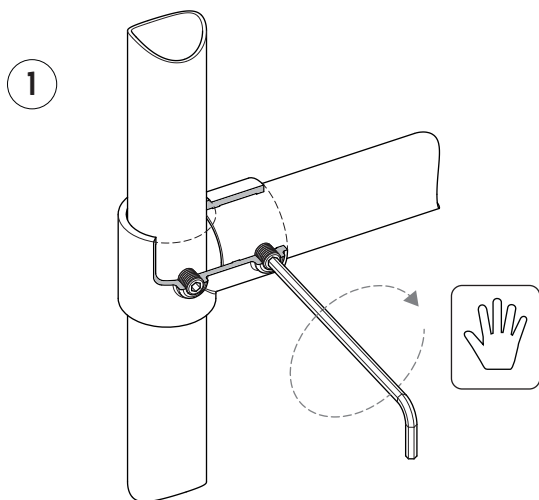
ASSEMBLY TIPS


CORRECT INSERTION INTO FITTINGS - (INDICATIVE DIAGRAM SHOWN)

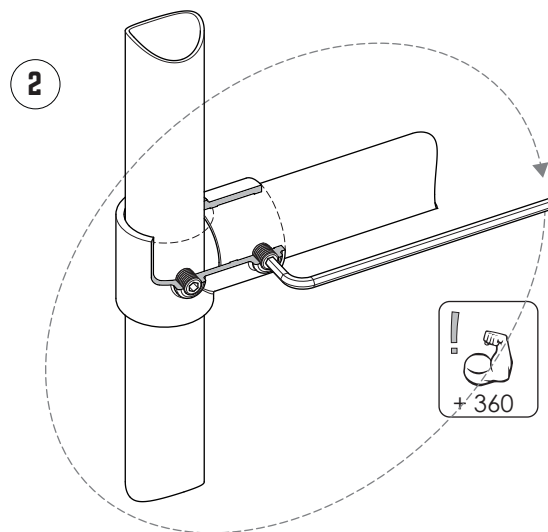
All tubes must be fully inserted until contact is made with adjoining tube.




CORRECT TIGHTENING METHOD OF GRUB SCREWS - (INDICATIVE DIAGRAM SHOWN)



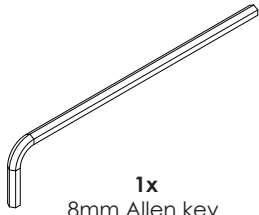
1. With long end of allen key, hand tighten grub screw as much as possible. 



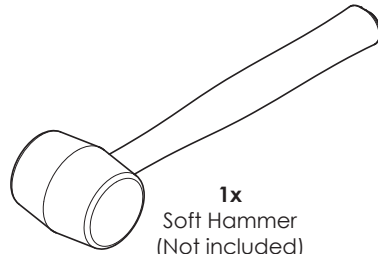
2. Using other end of the allen key do one full 360 degree turn as a minimum, use muscles! 

TOOLS & INVENTORY

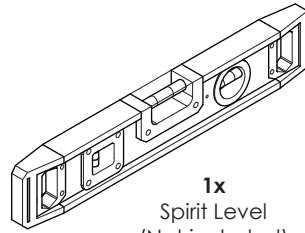
TOOLS REQUIRED FOR INSTALLATION



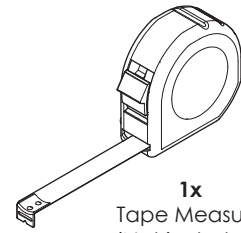
1x
8mm Allen key
(Not included)



1x
Soft Hammer
(Not included)



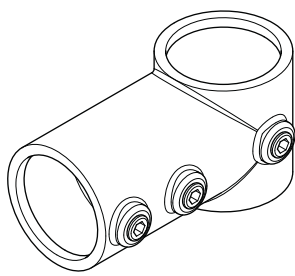
1x
Spirit Level
(Not included)



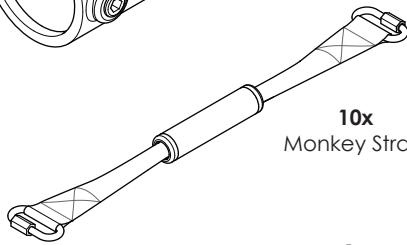
1x
Tape Measure
(Not included)

THE INVENTORY WILL VARY BETWEEN THE CHEEKY MONKEY FRAME AND ALL OTHER FUNKY MONKEY BAR® FRAMES BUT THE ASSEMBLY METHOD WILL REMAIN CONSISTENT. CHECK THAT YOU DO NOT NEED 2 ACCESSORIES BARS FOR YOUR CHOSEN INSTALLATION- SEE STEP 1

INVENTORY - HORIZONTAL CARGO NET (ALL FRAMES EXCEPT CHEEKY MONKEY) (Not to scale)

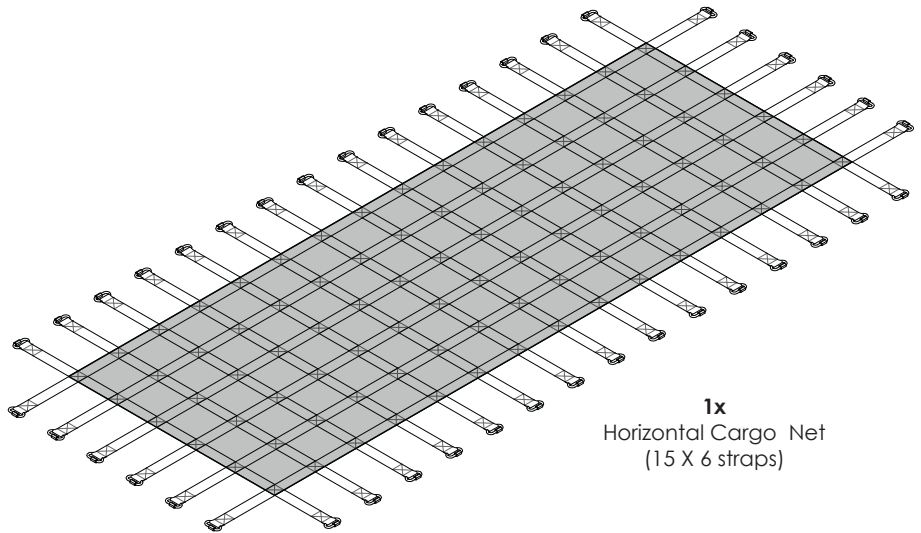


2x
Long Short Tee
D-101L



10x
Monkey Straps

1x
Accessories Tube
50Dia. x 2950mm

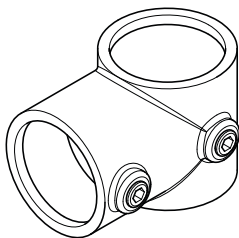


1x
Horizontal Cargo Net
(15 X 6 straps)

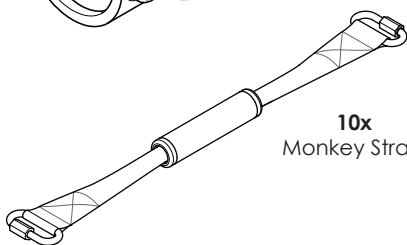


OR

INVENTORY - HORIZONTAL CARGO NET FOR CHEEKY MONKEY FRAME (Not to scale)

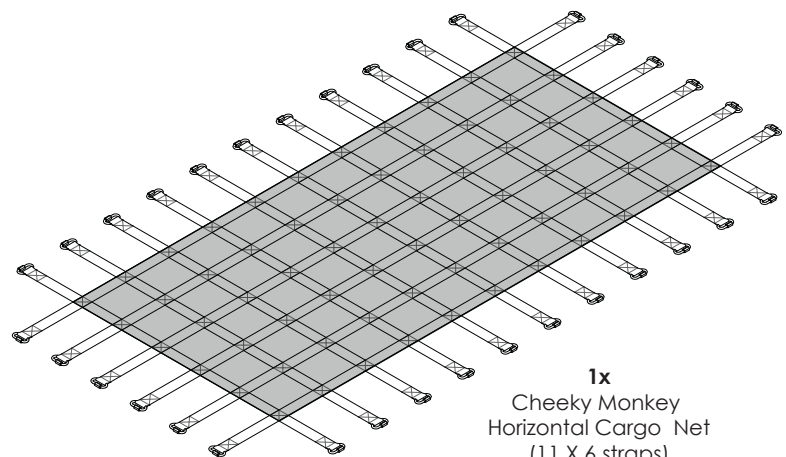


2x
Short Tee
D-101

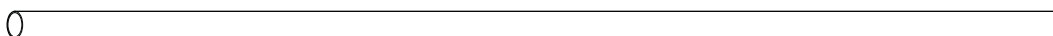


10x
Monkey Straps

1x
Short Accessories Tube
50Dia. x 2300mm



1x
Cheeky Monkey
Horizontal Cargo Net
(11 X 6 straps)

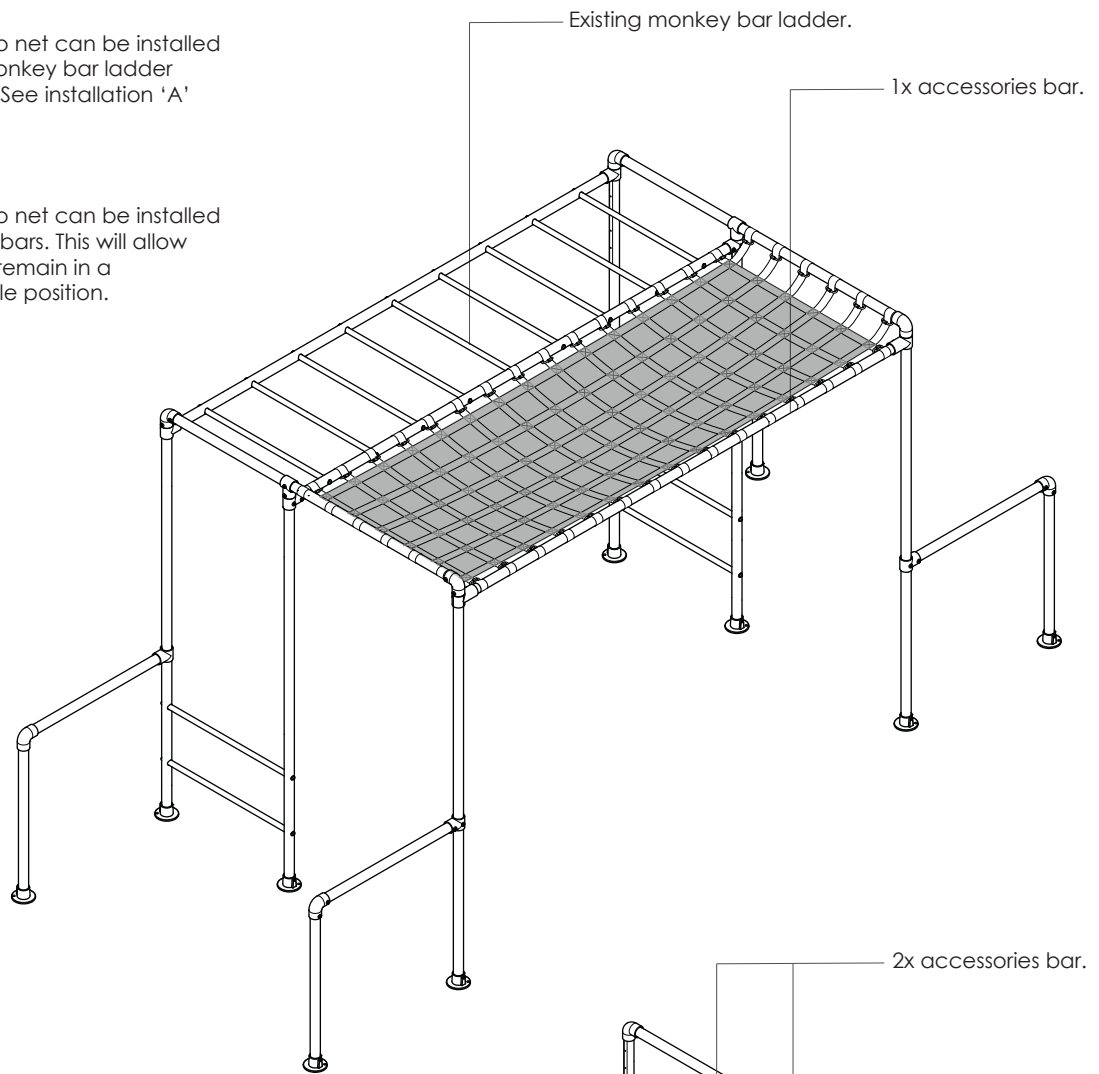


1 SELECT THE ARRANGEMENT YOU DESIRE.

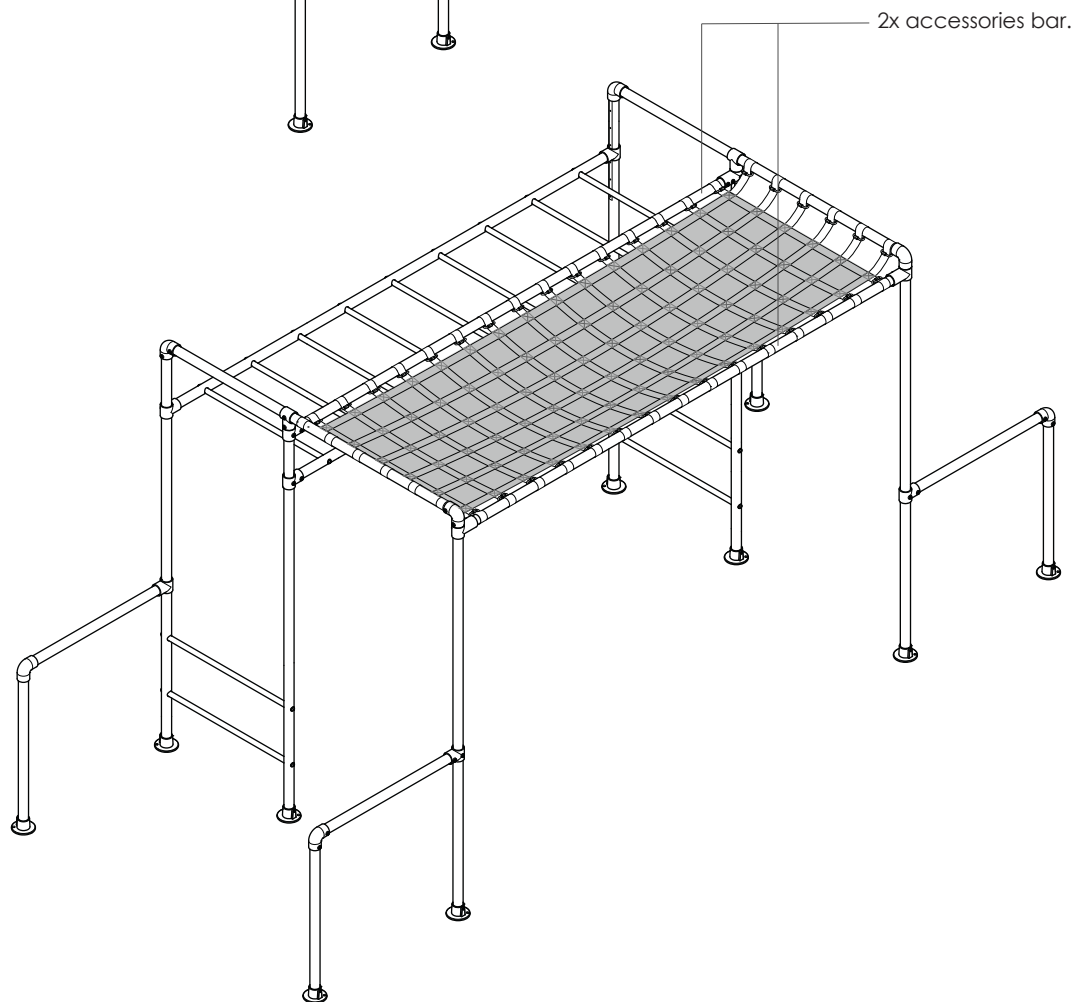
The horizontal cargo net can be installed directly onto the monkey bar ladder (in highest position). See installation 'A'

OR

The horizontal cargo net can be installed using 2 accessories bars. This will allow the monkey bar to remain in a lower and adjustable position. See installation 'B'



INSTALLATION 'A'

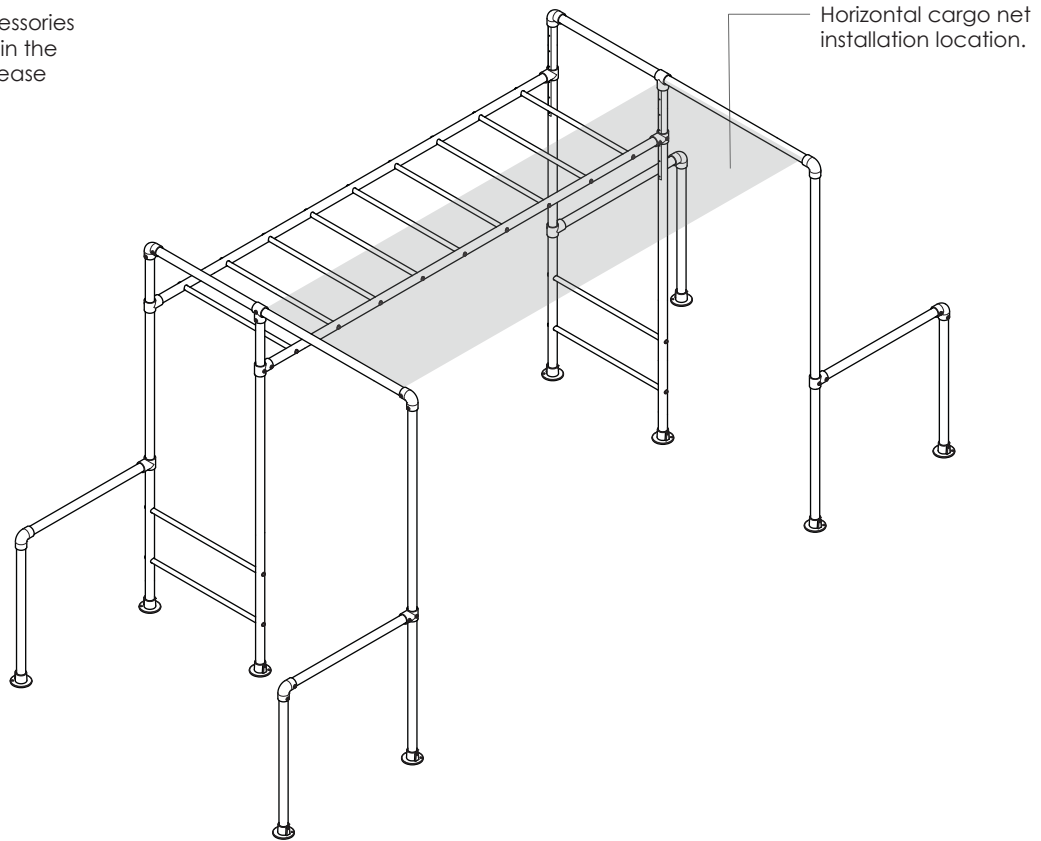


INSTALLATION 'B'

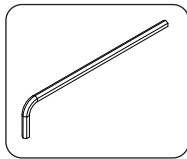
**ADDING A HORIZONTAL CARGO NET TO AN EXISTING FRAME. (INSTALLATION TYPE 'B' STEP 1)
- ORANGUTAN MODEL SHOWN**

2 SELECT HORIZONTAL CARGO NET INSTALL LOCATION

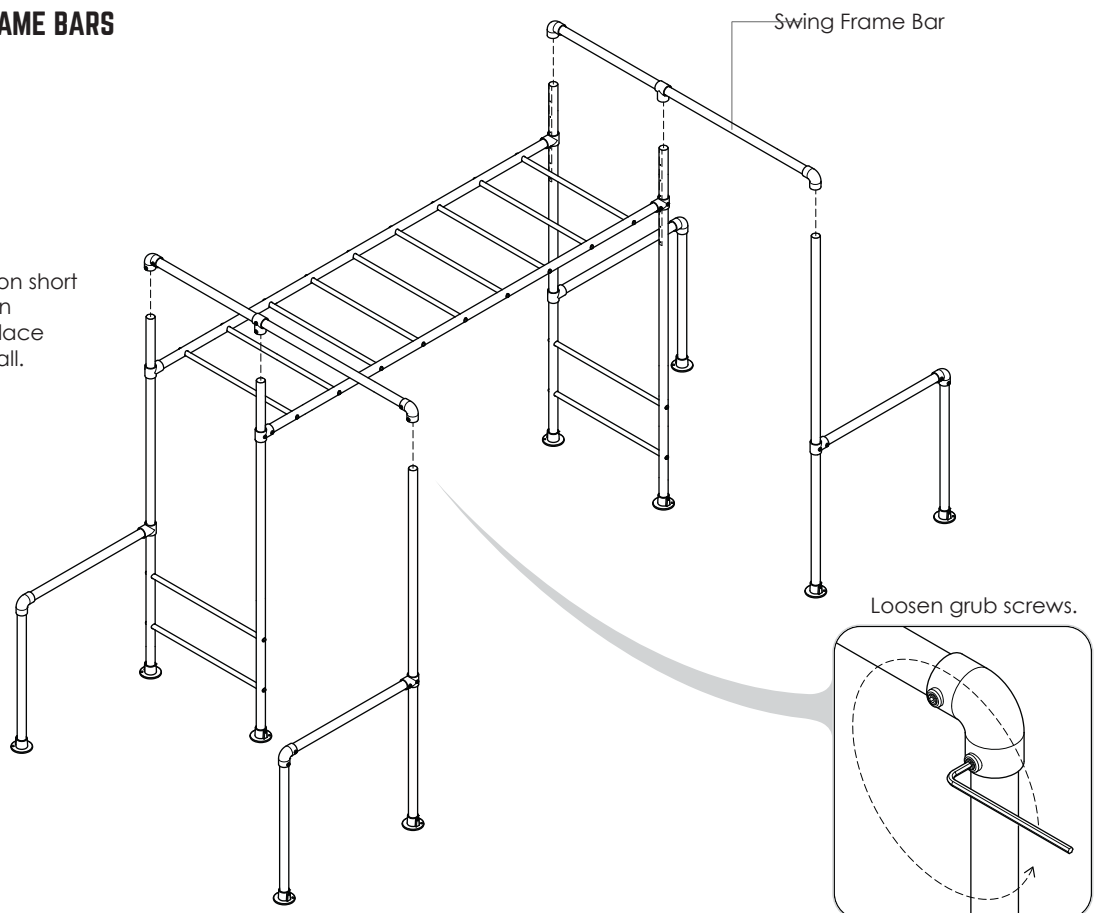
Remove any accessories from swing hooks in the selected area to ease installation.



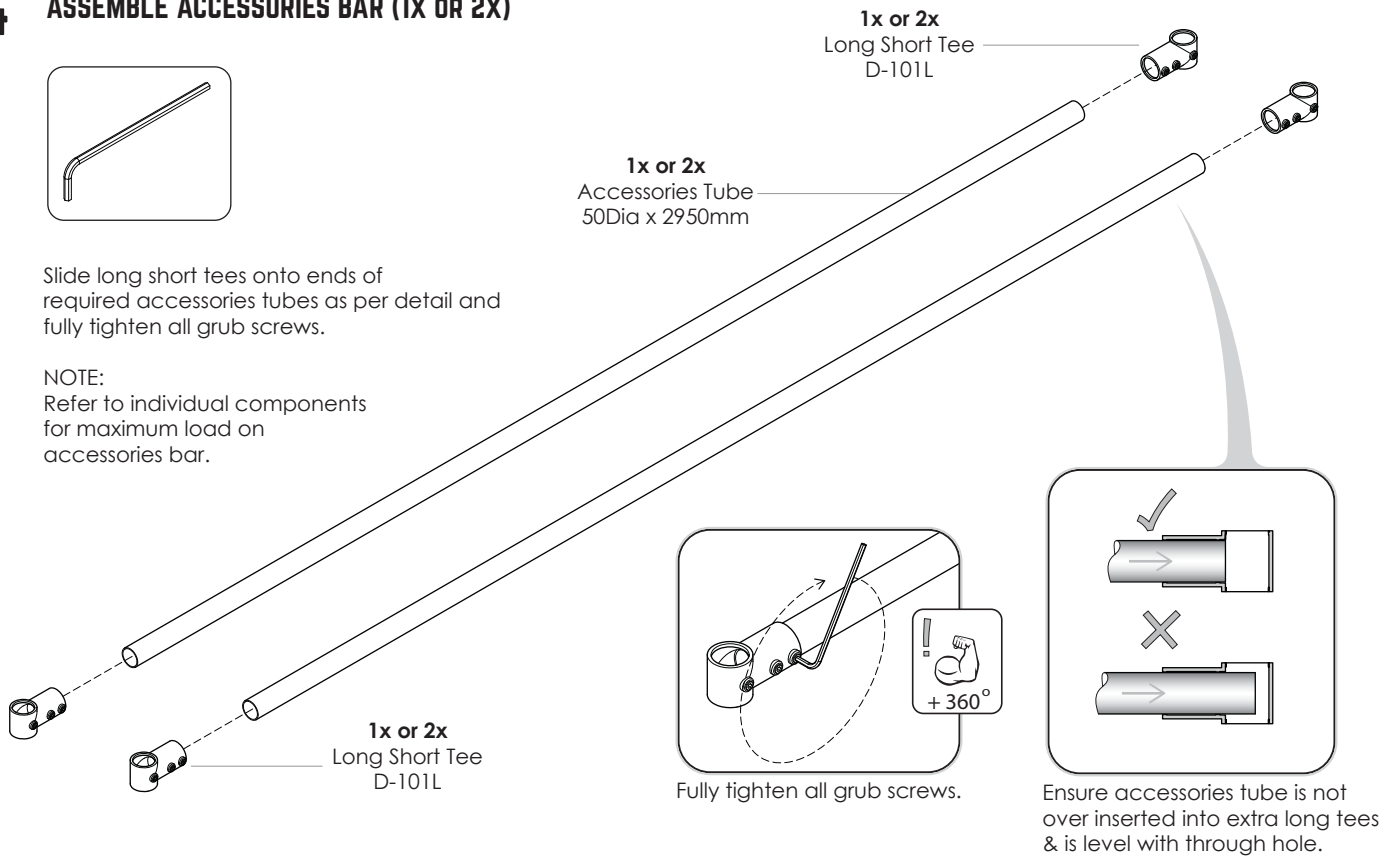
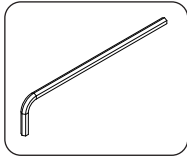
3 REMOVE SWING FRAME BARS



Loosen grub screws on short tees and elbows then remove swing bar. Place aside for later re-install.

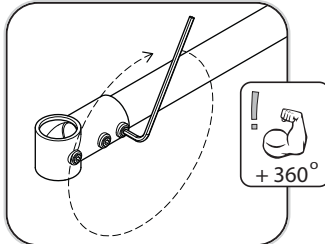


4 ASSEMBLE ACCESSORIES BAR (1x OR 2x)

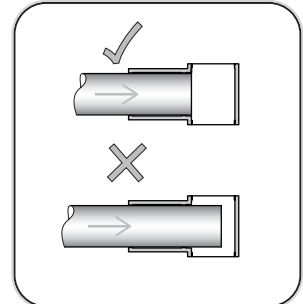


Slide long short tees onto ends of required accessories tubes as per detail and fully tighten all grub screws.

NOTE:
Refer to individual components for maximum load on accessories bar.

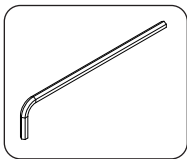


Fully tighten all grub screws.

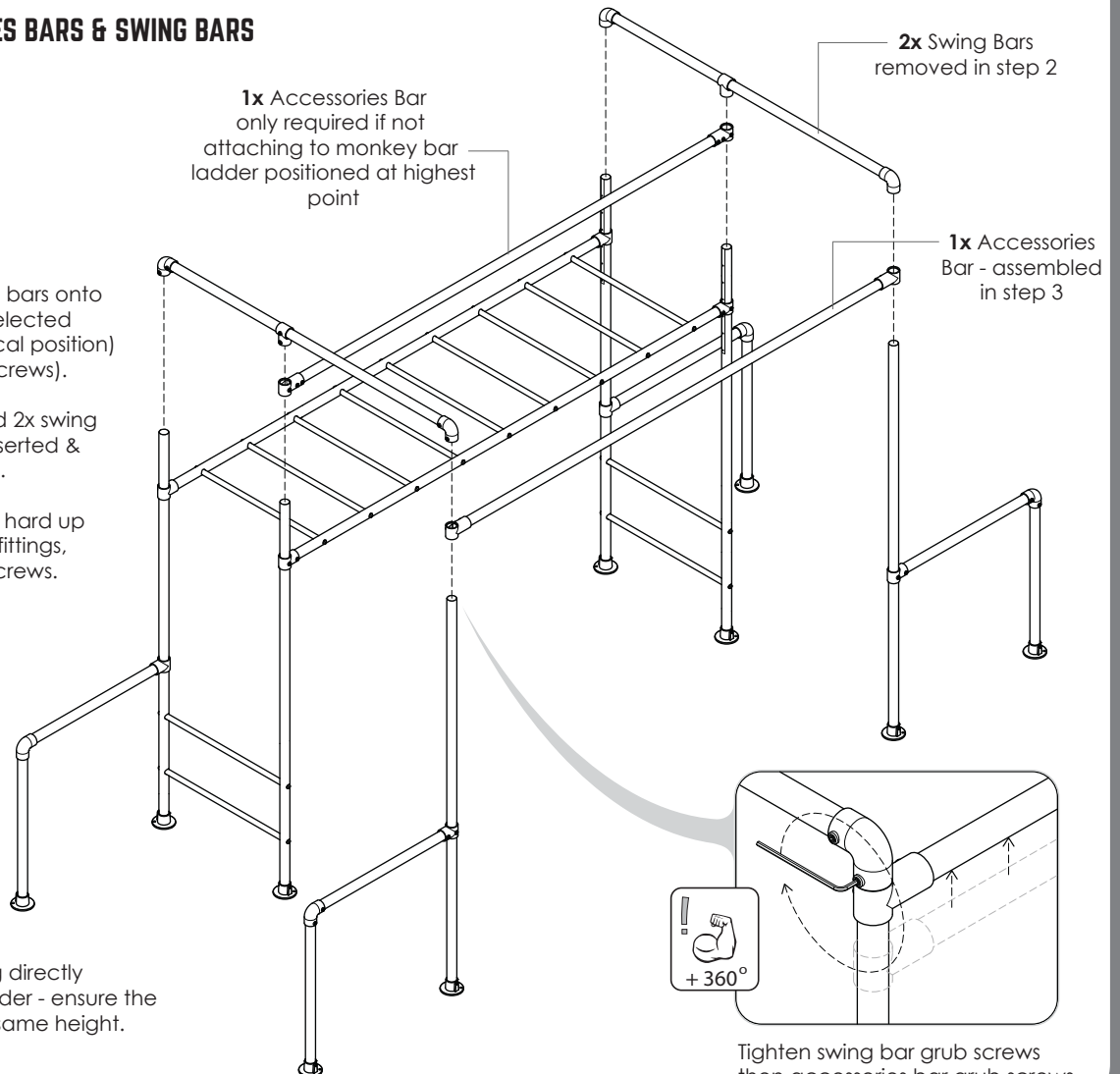


Ensure accessories tube is not over inserted into extra long tees & is level with through hole.

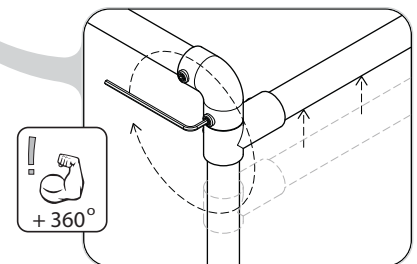
5 ATTACH ACCESSORIES BARS & SWING BARS



1. Slide the 2 accessories bars onto the swing legs in the selected location. (highest vertical position) (Do not tighten grub screws).
2. Reattach the removed 2x swing bars, Ensure it is fully inserted & tighten all grub screws.
3. Raise accessories bars hard up against the swing bar fittings, then tighten all grub screws.

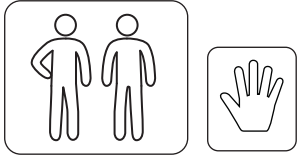


NOTE: If you are installing directly onto the monkey bar ladder - ensure the accessories bar is at the same height.



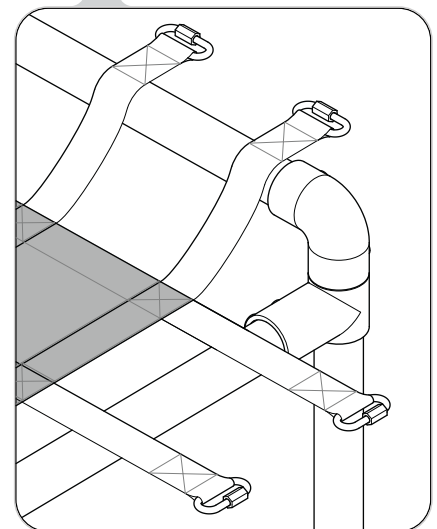
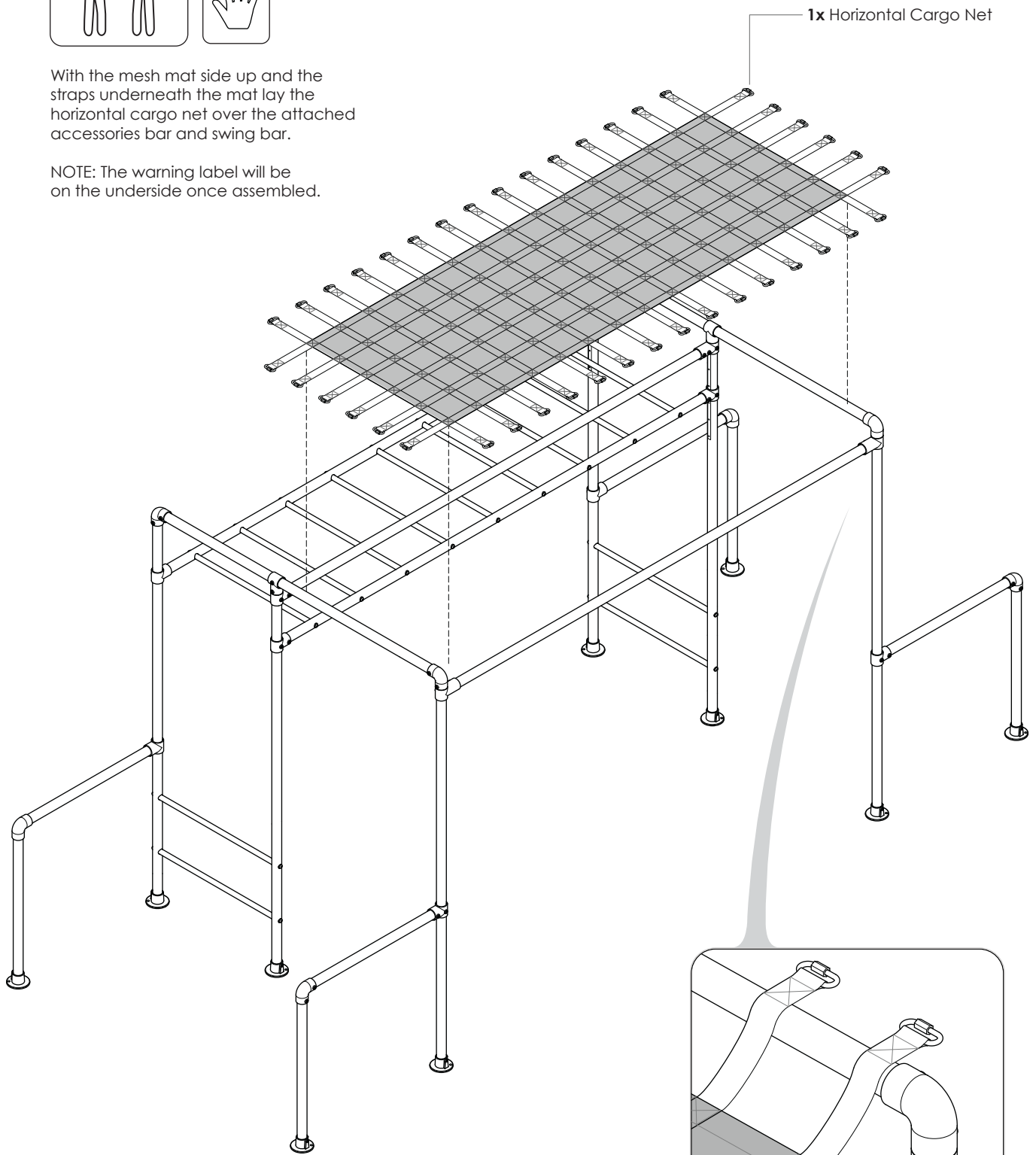
Tighten swing bar grub screws then accessories bar grub screws.

6 LAY HORIZONTAL CARGO NET ON TOP



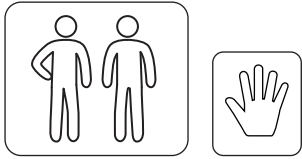
With the mesh mat side up and the straps underneath the mat lay the horizontal cargo net over the attached accessories bar and swing bar.

NOTE: The warning label will be on the underside once assembled.

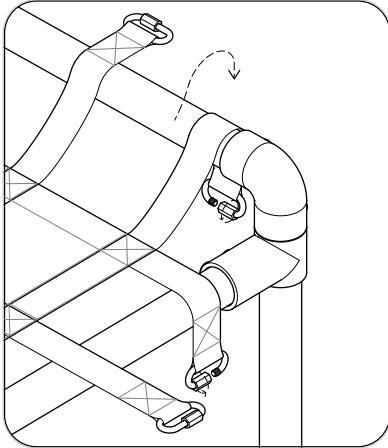


1. Mesh side on top
2. Straps over top of tubes

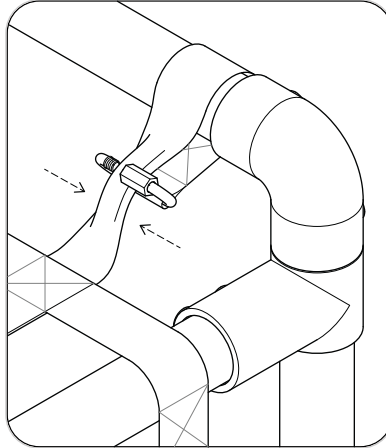
7 CONNECT CORNER STRAPS TO TUBES.



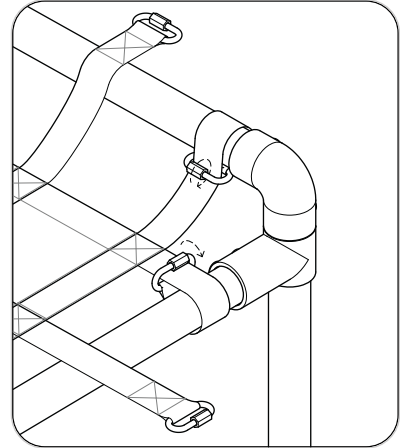
Connect the corner straps at A,B,C & D to the swing and accessories bars, as described below.



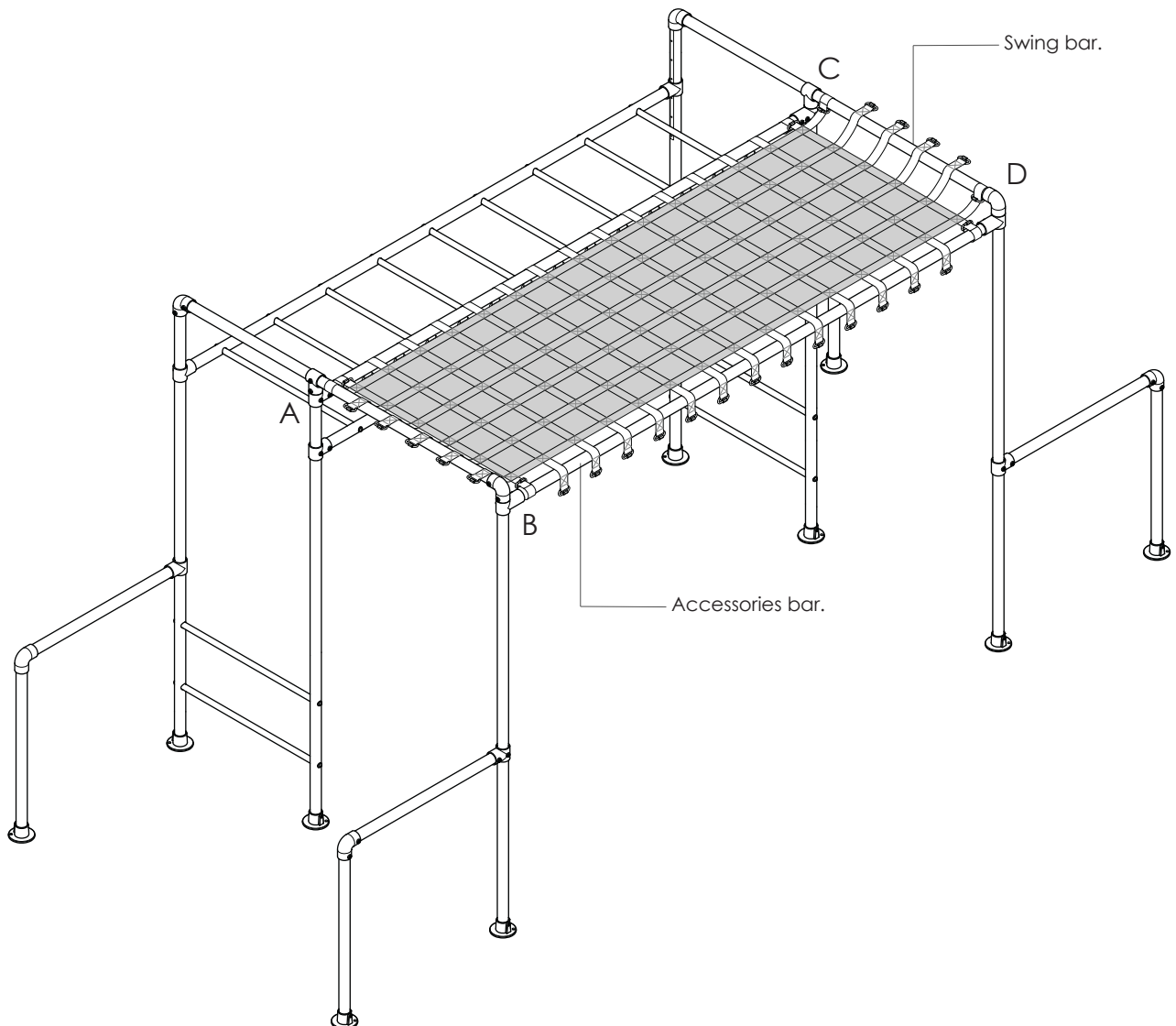
1. Undo the shackles fully and flip the straps over the top of the tubes.



2. Pinch the strap together and feed into the shackle (passed up from underneath the pipe).

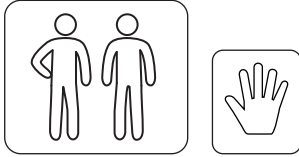


3. Tighten the shackle and repeat to all other corner straps.

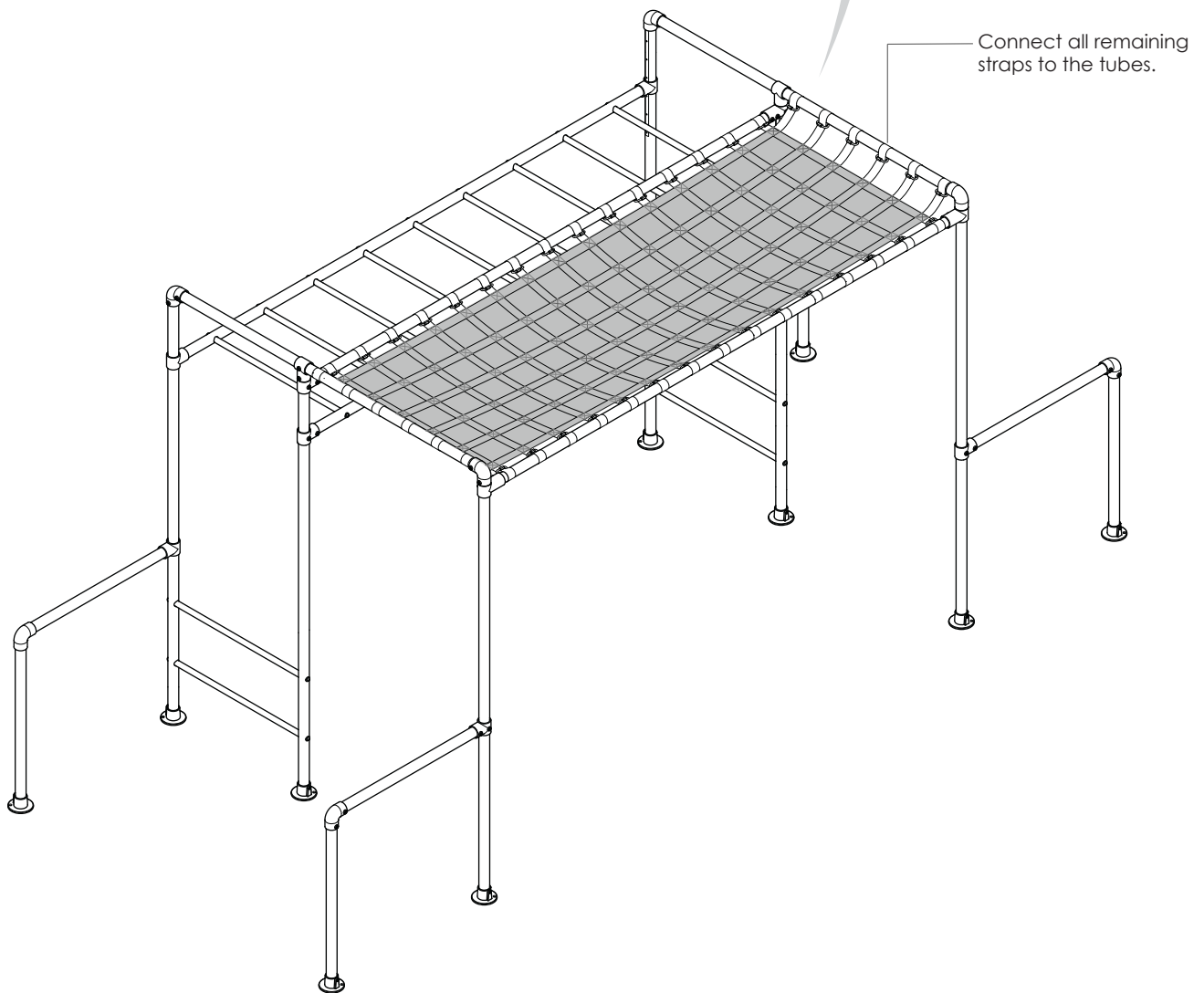
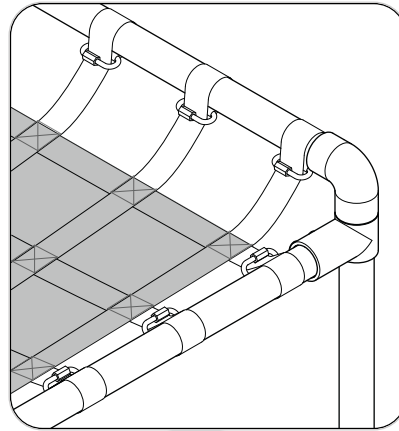


8

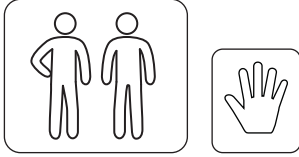
CONNECT ALL REMAINING STRAPS



1. Using the same process described in step 6 connect all remaining straps to the swing and accessories bar.
2. Ensure that all the shackles are fully locked closed.

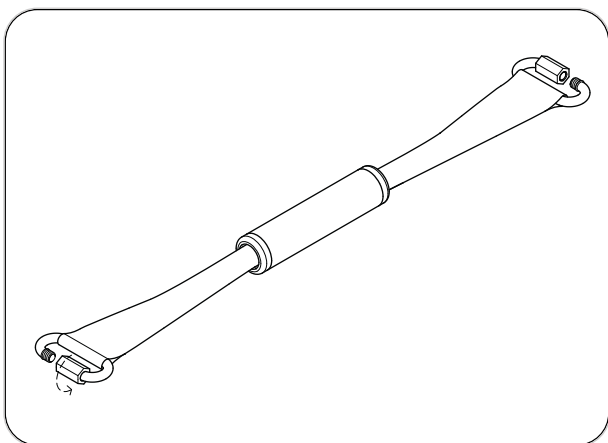
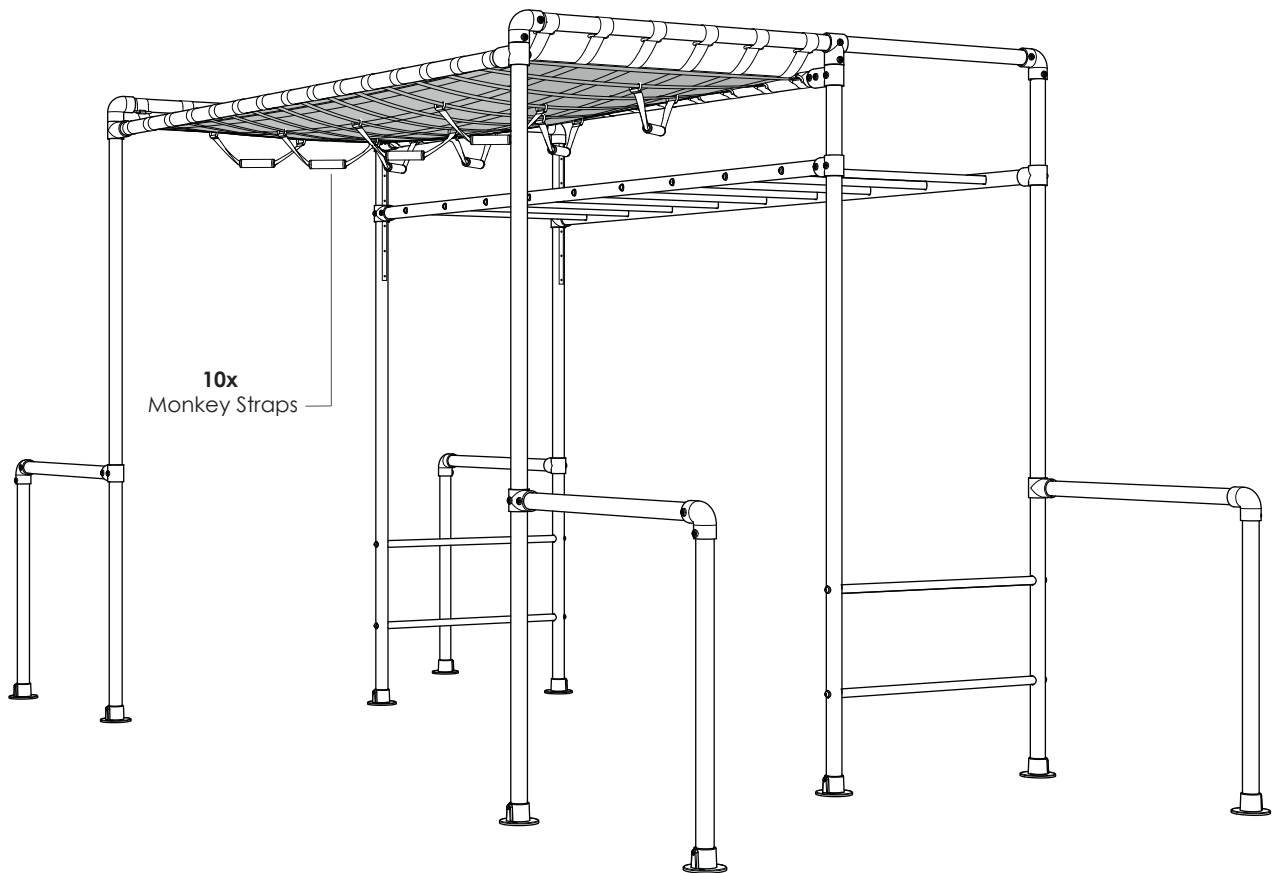


9 CONNECT MONKEY STRAPS

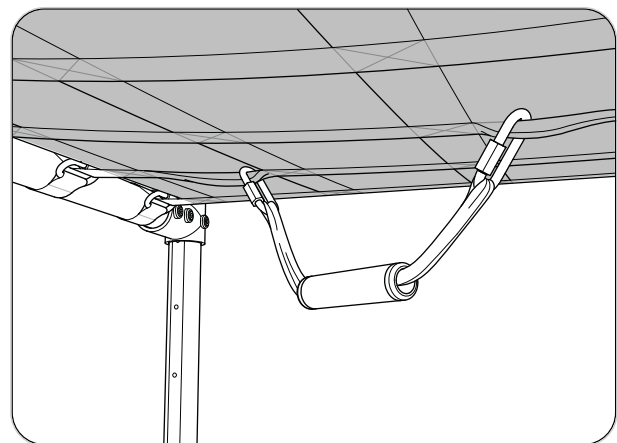


1. On the underside straps of the horizontal cargo net attach the monkey straps in an arrangement that suits your needs and skill level.
2. Ensure that the shackles are fully tightened and locked.

NOTE: The hanging monkey straps can be fixed to any of the underneath horizontal cargo net straps in any arrangement. Please avoid hanging more than one shackle in a single location.

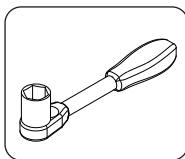


Undo shackles on hanging monkey straps.



Attach to underside of horizontal cargo net in desired location, Ensure shackles are tightened.

10 RE-ATTACH ACCESSORIES (IF APPLICABLE)

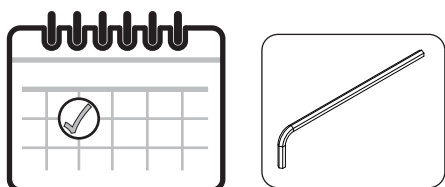


Attach any accessories removed during the installation of the horizontal cargo net (if applicable). Check that all swing hook bolts are tightened with a ratchet. Refer to individual accessory assembly instructions for details.

11 FINAL CHECKS

1. Ensure all shackles are tight.
2. Ensure your frame is square and level.
3. Firmly tighten all grub screws and bolts on your frame.
4. All base plates are pegged down.
5. Reattach any accessories removed during the installation of the horizontal cargo net.

11 MAINTENANCE.



At the beginning of each heavy play session (especially a party) and twice a month during play season ensure;

1. Tighten all hardware - grub screws, shackles nuts and bolts.
2. Pegs are in place and fully secure.
3. Lubricate all metallic moving parts with WD40 or Vaseline - (trolley and swing hooks.)
4. Ensure your frame is level and square.

FAILURE TO DO SO COULD RESULT IN SERIOUS INJURY OR DEATH.

**FOR MORE INFORMATION AND ASSEMBLY TIPS PLEASE REFER TO OUR WEBSITE VIDEO INSTRUCTION SECTION AT
[HTTP://WWW.FUNKYMONKEYBARS.COM/PAGES/VIDEOS](http://www.funkymonkeybars.com/pages/videos)**

12 HAVE FUN





ABN 72 164 496 520
1300 912 198
info@funkymonkeybars.com
www.funkymonkeybars.com
9 Cutting Way,
Yangebup WA 6164



WE ARE SOCIAL MONKEYS



Australian Government
IP Australia

All Funky Monkey Bars® designs are registered and protected under IP Australian certification.