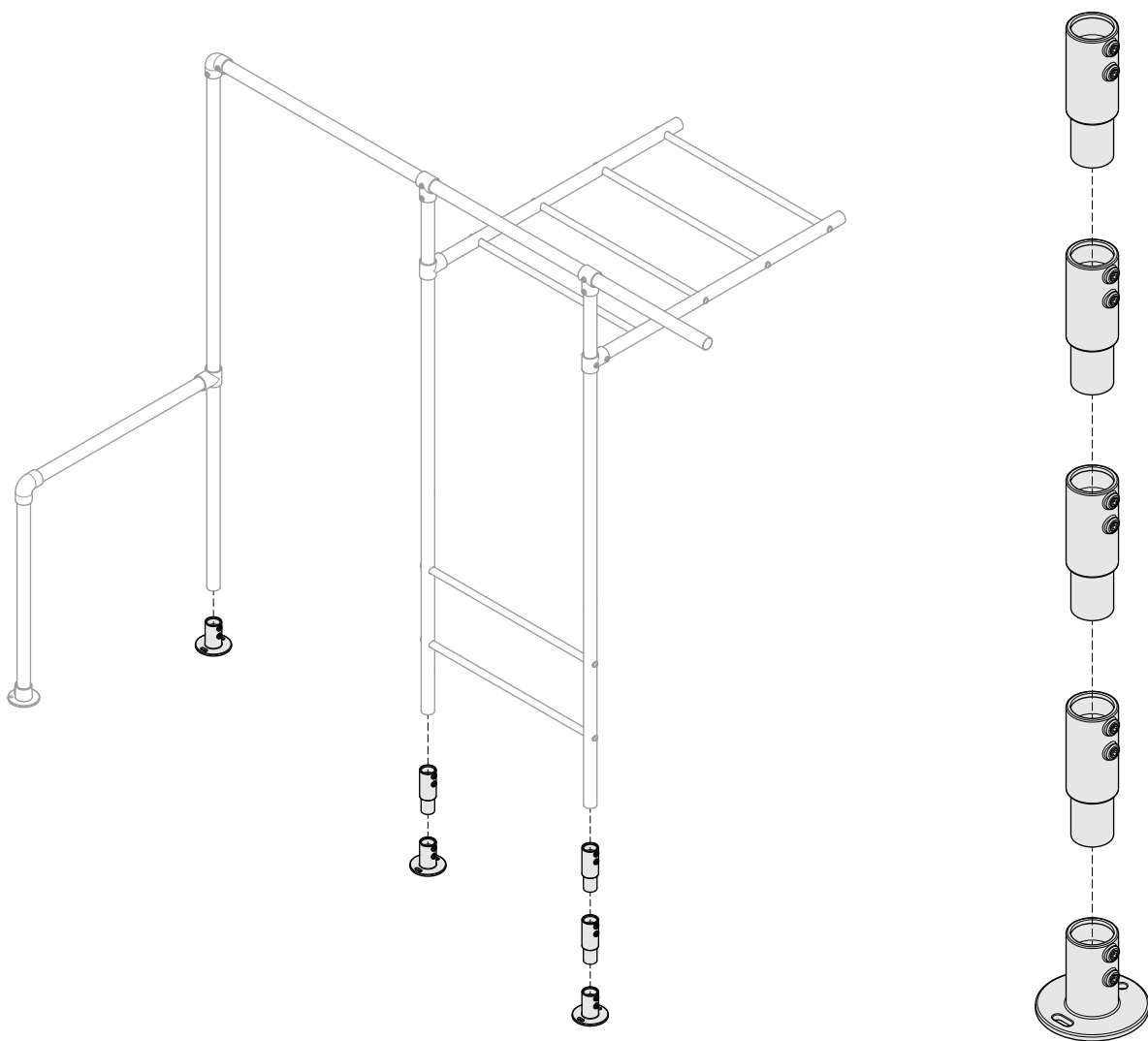


FUNKY Monkey bars[®]



FUNKY LEVELLING KIT CALCULATING REQUIREMENTS

PATENT PENDING 2020204133

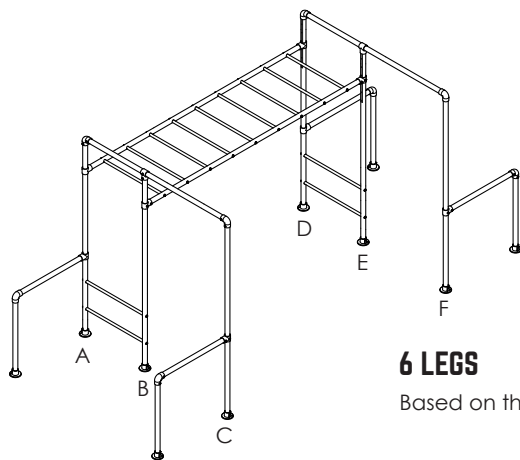
THE FUNKY LEVELLING KIT IS **ONLY** REQUIRED FOR SLOPES OR UNDULATED GROUND THAT IS GREATER THAN 100MM OR LESS THAN 600MM OVER A 3.0 METRE SPAN.

CALCULATING REQUIREMENTS

DESIGNED TO ASSIST IN CALCULATING THE NUMBER OF FUNKY LEVELLING KITS YOU WILL REQUIRE TO INSTALL A FUNKY MONKEY BARS® FRAME ON YOUR SLOPE. THIS WILL VARY ACCORDING TO YOUR FRAME SELECTION. INSTALLATION INSTRUCTIONS ARE PROVIDED IN A SEPARATE DOCUMENT.

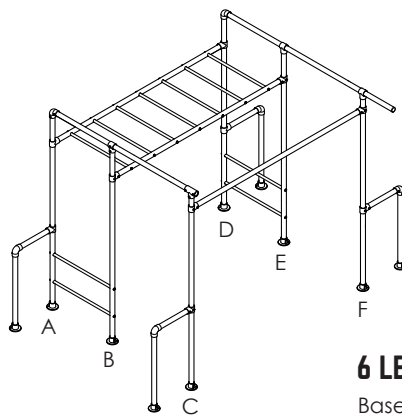
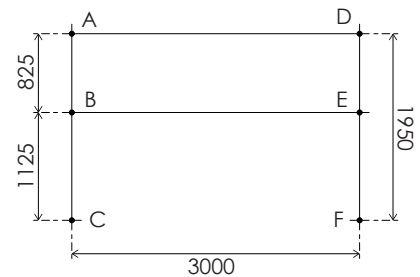
1 SELECT FRAME & ORIENTATION

Select your frame type from the next 3 pages. The chosen frame will generally have either 6,8,9,10 or 12 main legs (if not the same process applies). Use or draw up a leg location plan as shown (dimensions in mm-not to scale).



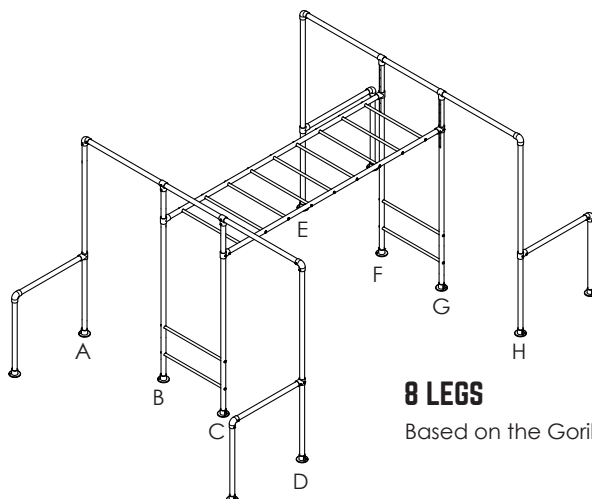
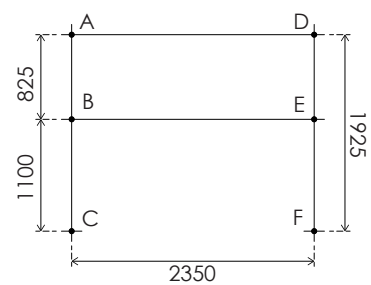
6 LEGS

Based on the Orangutan.



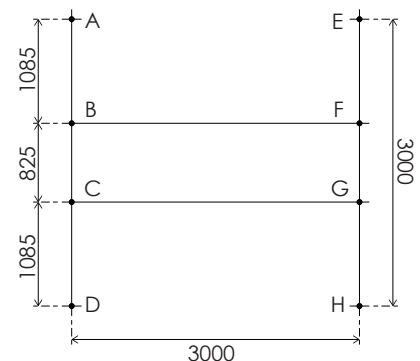
6 LEGS

Based on the Cheeky Monkey.

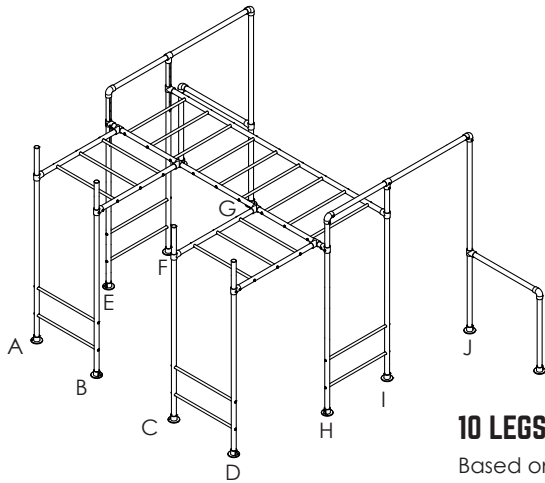


8 LEGS

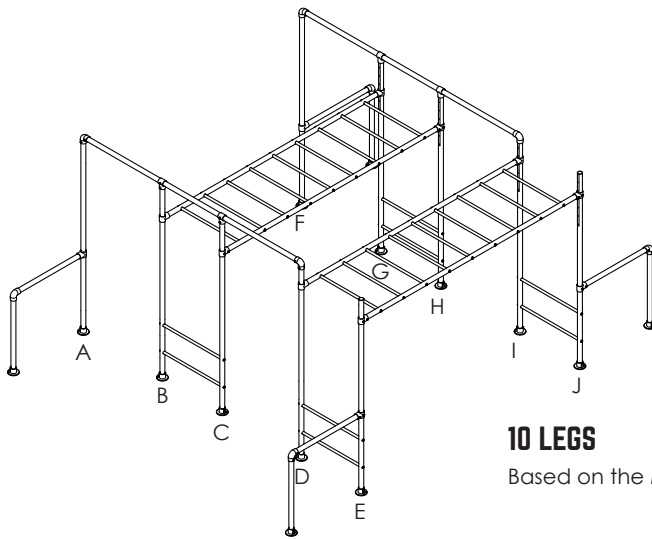
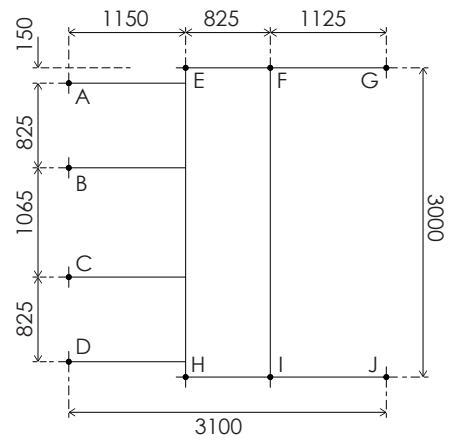
Based on the Gorilla, Ninja, Lemur footprint.



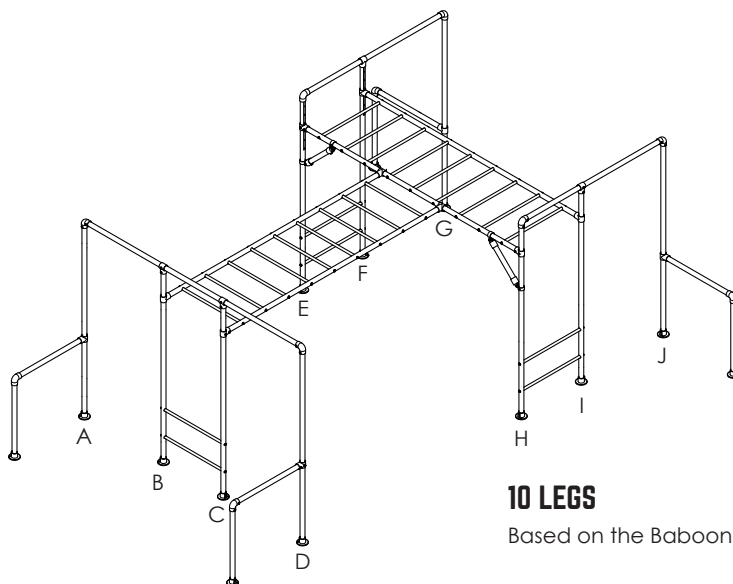
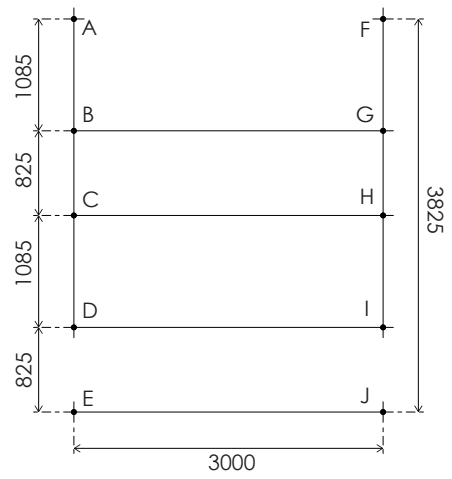
1 SELECT FRAME & ORIENTATION - CONTINUED



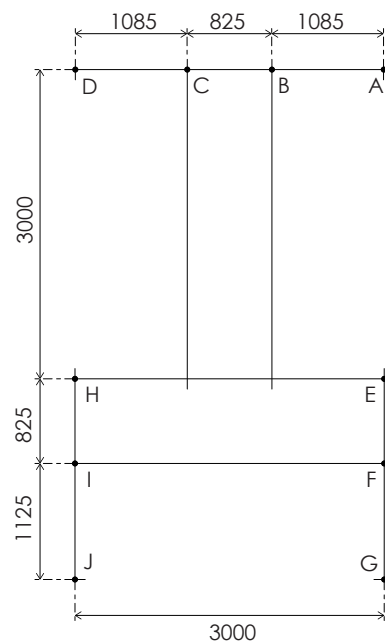
10 LEGS
Based on the Gibbon.



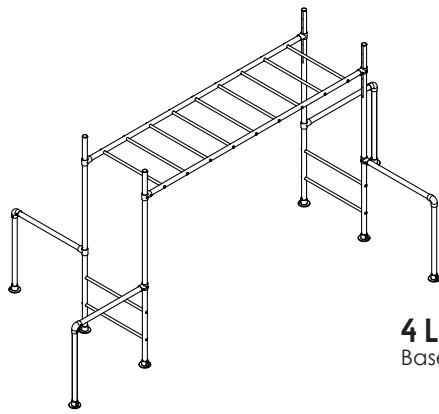
10 LEGS
Based on the Marmoset.



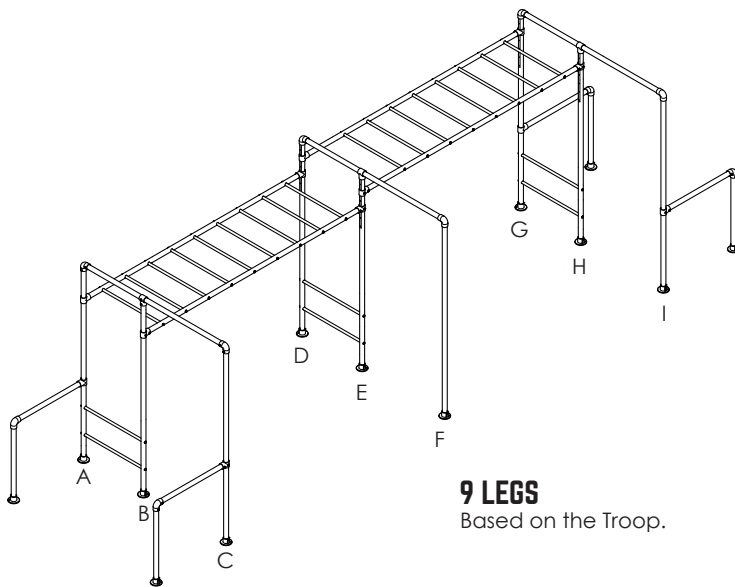
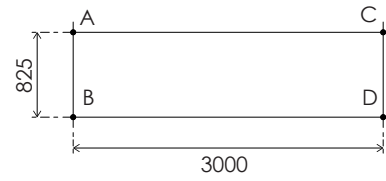
10 LEGS
Based on the Baboon.



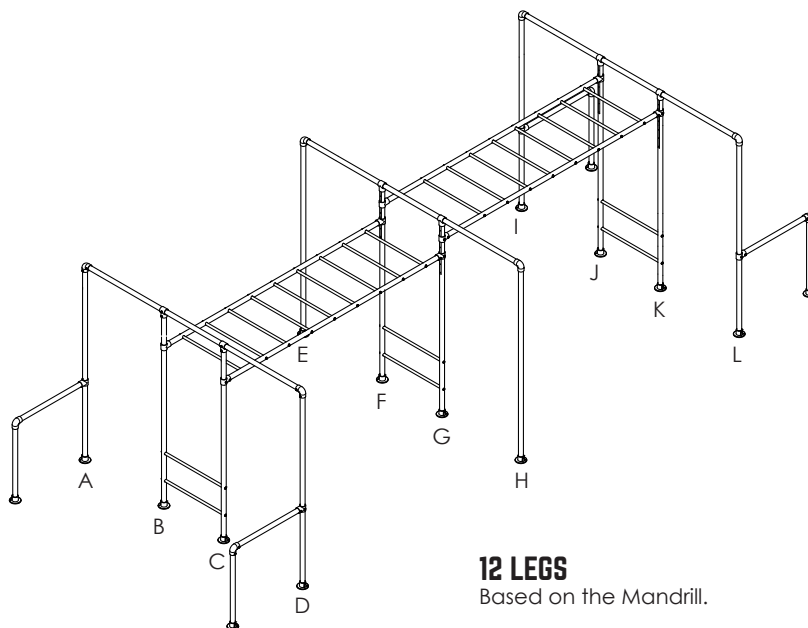
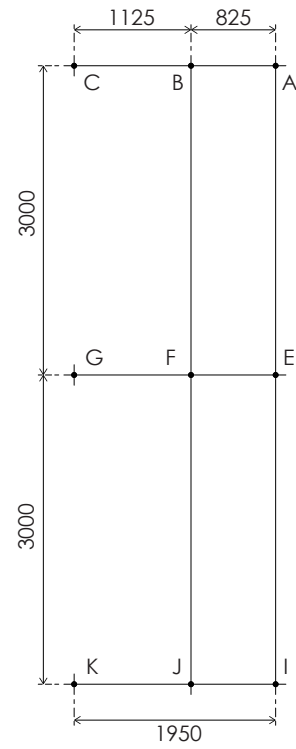
1 SELECT FRAME & ORIENTATION - CONTINUED



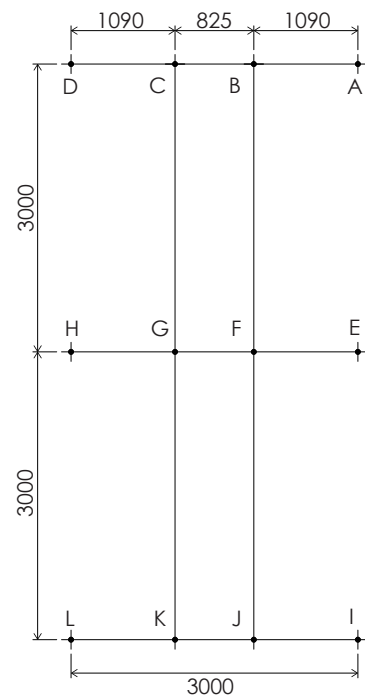
4 LEGS
Based on the Original.



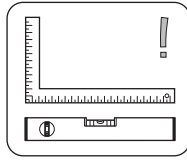
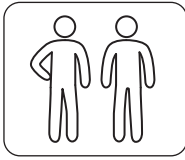
9 LEGS
Based on the Troop.



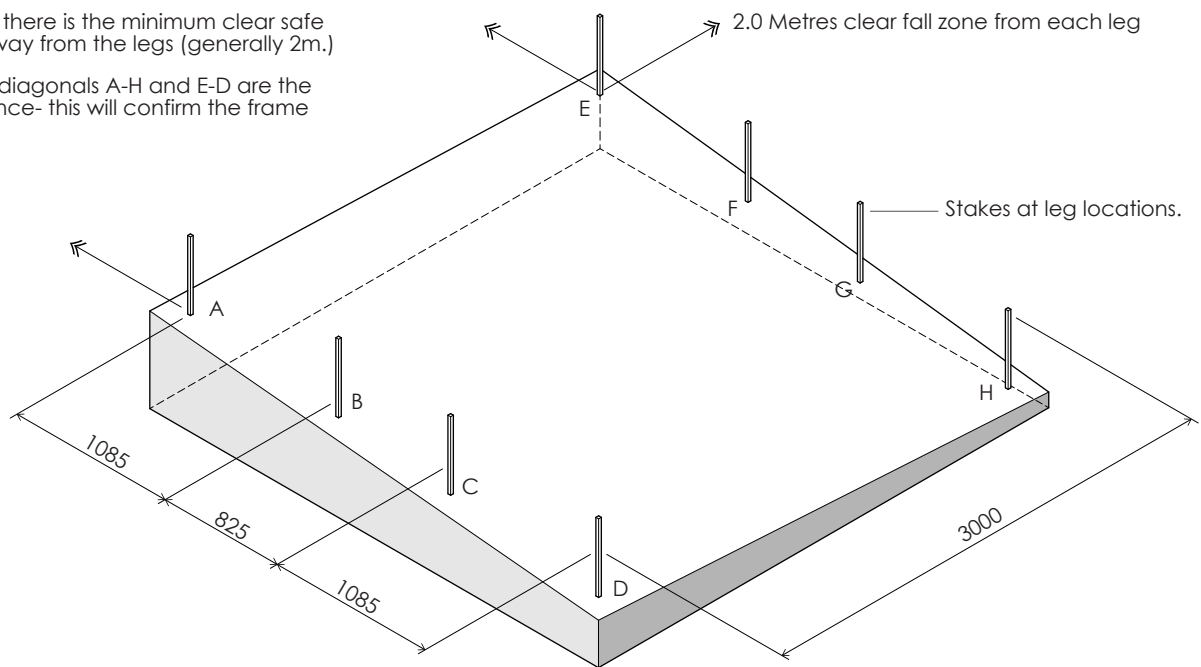
12 LEGS
Based on the Mandrill.



2 STAKE OUT LEG PLAN - (GORILLA FRAME SHOWN)

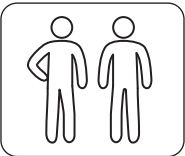


1. Find the highest point where the highest leg will be located. ('A' for this example)
2. Measure and stake out the selected leg frame diagram from pages 1-3 in the chosen location for the frame.
3. Ensure that there is the minimum clear safe fall-zone away from the legs (generally 2m.)
4. Check the diagonals A-H and E-D are the same distance- this will confirm the frame is square.

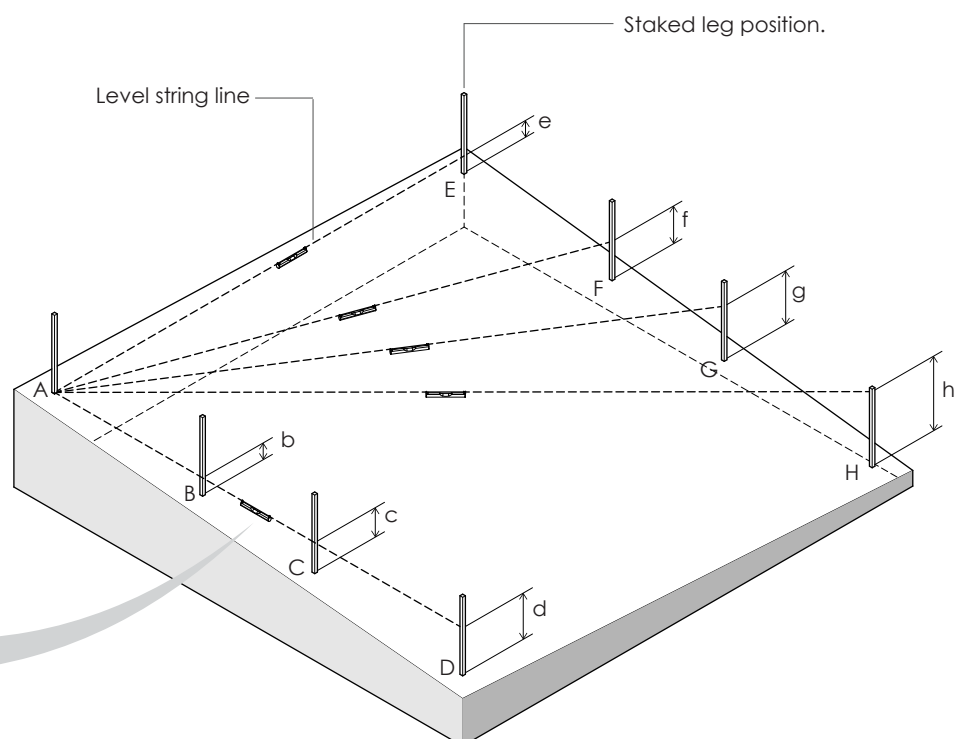
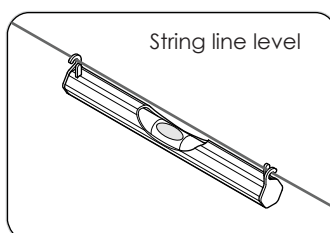


Based on the Gorilla (8 legs from page 1).

3 MEASURE & RECORD FALL



1. Tie a string line at ground level at 'A' (the highest leg location).
2. Using the string line level and second person to confirm, run the string line to each staked leg position B-H.
3. Measure and record the distance from the string line to the ground at each location 'b-h'. Record results on page 10 table.



MEASUREMENTS

4 RECORD HEIGHT TABLE

1. Record the measurement of fall from the highest leg (A) to all legs and record measurements in Table 'A'.
2. Refer to Table B , calculate the quantity of leg bases and levellers you will require for each leg.
3. Total up the quantities of bases and levellers you require.
4. Order the required combinations of either 'Funky Levelling Kit' and/or 'Extra Levellers x4' to suit your needs.

TABLE A : RECORD YOUR MEASUREMENTS

FUNKY MONKEY BAR FRAME. <input type="text"/>			
LEG REFERENCE.	MEASUREMENT OF FALL FROM 'A'	NUMBER OF LEVELLERS	NUMBER OF BASE PLATES
A	0mm	0 (refer to table B)	1 (refer to table B)
A - B			
A - C			
A - D			
A - E			
A - F			
A - G			
A - H			
A - I			
A - J			
A - K			
A - L			

NUMBER OF LEVELLERS

NUMBER OF BASE PLATES

TOTAL.	<input type="text"/>	<input type="text"/>
---------------	----------------------	----------------------

FUNKY LEVELLING KIT - 4 Base Plates + 4 Levellers (per kit)

EXTRA LEVELLERS - 4 Levellers (per kit)

TABLE B : NUMBER OF LEVELLERS REQUIRED FOR HEIGHT VARIATIONS

HEIGHT DIFFERENCE	NO. OF EXTENSIONS	NO. OF BASE PLATES	NOTES
0 - 55mm	0	0	
*56mm - 104mm	1	1	* You may need to dig down a small amount refer to step 5.
105mm - 195mm	1	1	
*196mm - 224mm	2	1	* You may need to dig down a small amount refer to step 5.
225mm - 335mm	2	1	
336mm - 475mm	3	1	
476mm - 610mm	4	1	

MEASUREMENTS (CONTINUED)

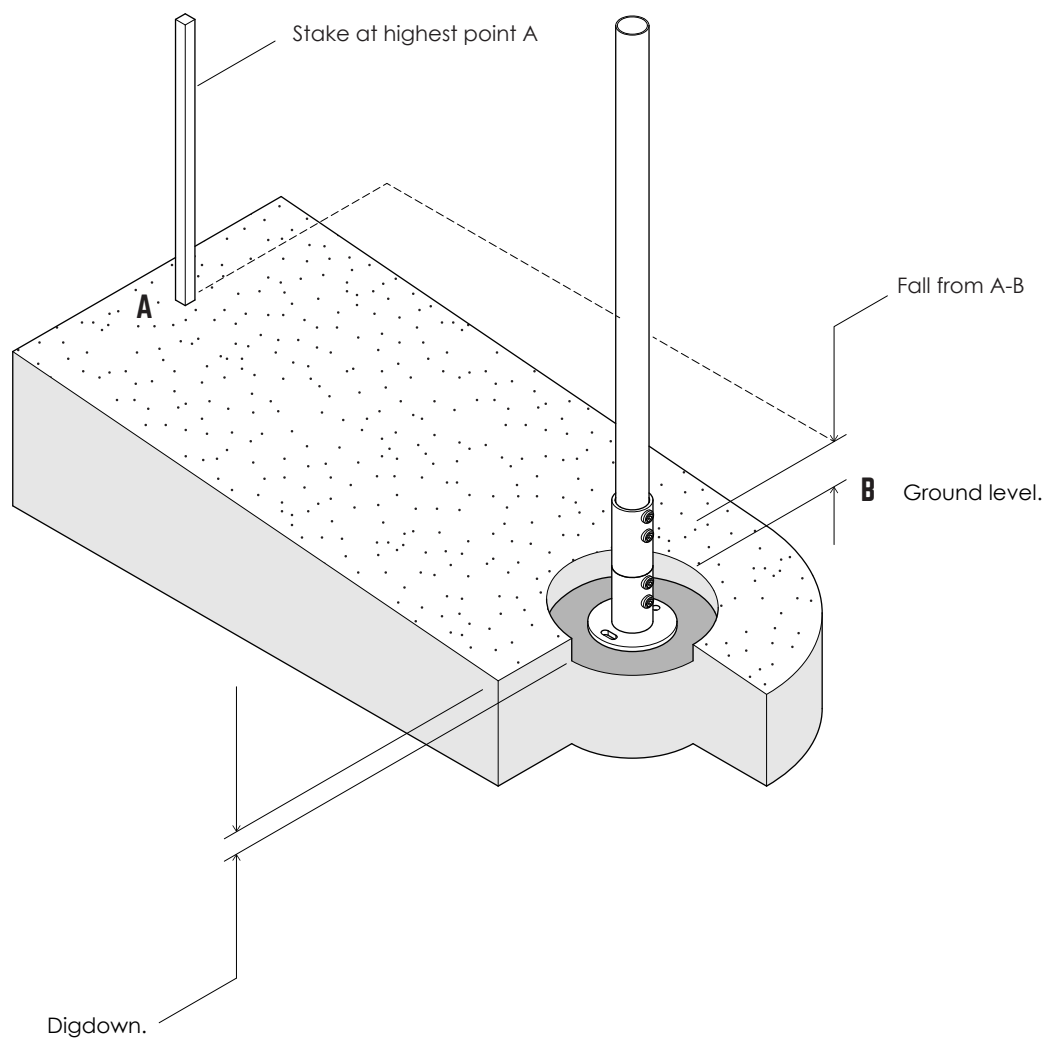
5 DIG DOWN

There will be slopes where the base plate and the levellers will be too high for certain vertical legs of your frame.

In these instances you will be required to "dig down" a small amount on some vertical legs to recess your base plate as in figure 1.

NOTE: This will generally only occur if you have a measurement between 56mm - 104mm or 196mm - 224mm.

FIGURE 1.





ABN 72 164 496 520
 1300 912 198
 info@funkymonkeybars.com
 www.funkymonkeybars.com
 9 Cutting Way,
Yangebup WA 6164



WE ARE SOCIAL MONKEYS



Australian Government
IP Australia

All Funky Monkey Bars® designs are registered and protected under IP Australian certification.