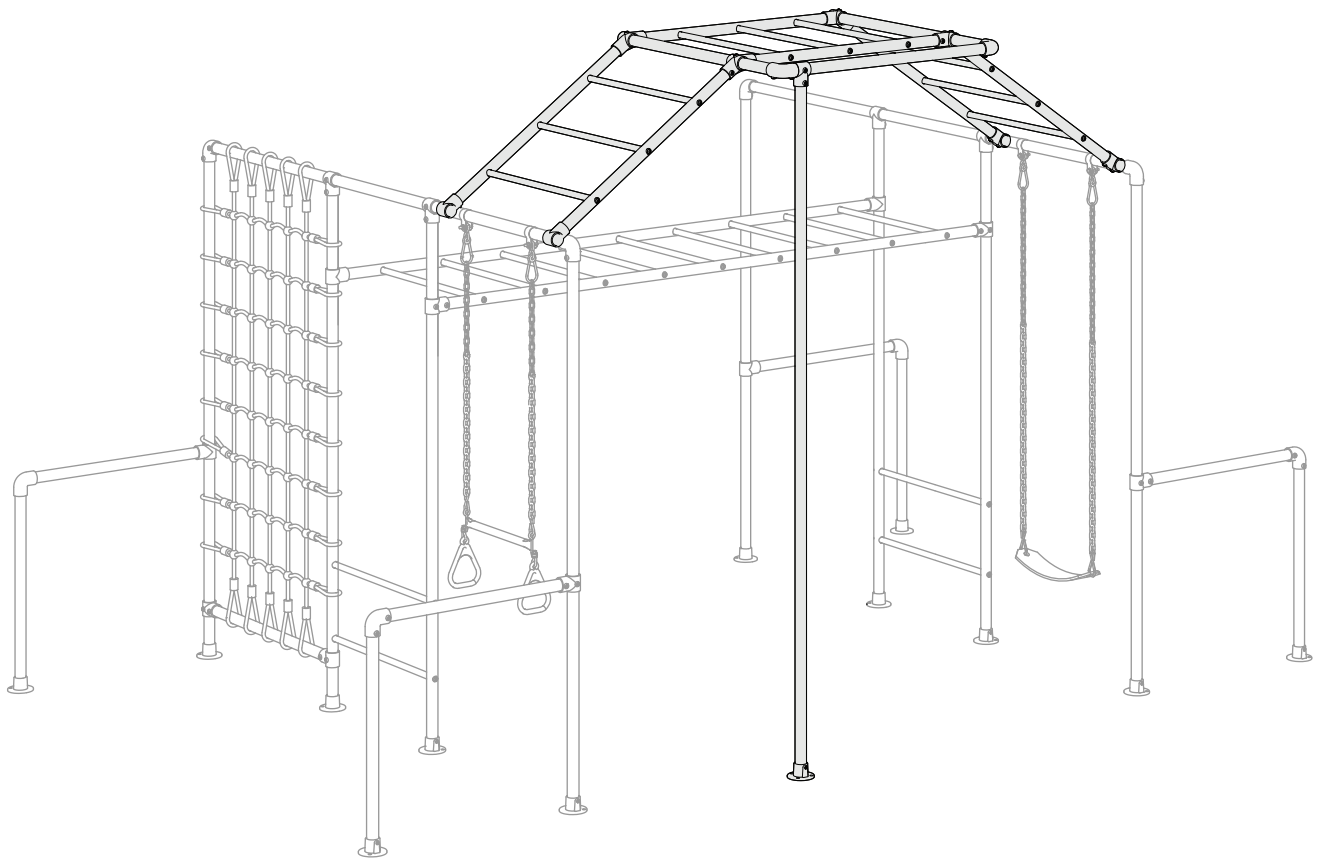


# FUNKY Monkey bars<sup>®</sup>



## THE COMBAT LADDER ADD-ON ASSEMBLY INSTRUCTIONS

## CONTENTS

Warnings . . . . .	Page 1
Load Rating . . . . .	Page 3
Dimensions . . . . .	Page 4
Assembly Tips . . . . .	Page 5
Inventory . . . . .	Page 7
Assembly Instructions . . . . .	Page 9
Combat Ladder Assembly. . . . .	Page 9
Combat Ladder Installation . . . . .	Page 11
Maintenance . . . . .	Page 20

## WARNING

PLEASE CAREFULLY READ ALL INFORMATION CONTAINED IN THIS ASSEMBLY MANUAL BEFORE YOU INSTALL AND USE YOUR FUNKY MONKEY BARS®.

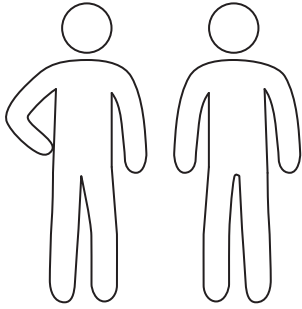
## SAFETY NOTICE

1. Any person handling or using the Funky Monkey Bars® products must follow the instructions as described in this document. The person in charge of assembling and using the equipment must ensure that the recommendations for use given in this document are seen by all users.
2. Only use the Funky Monkey Bars® after they have been fully assembled and after checking that the fittings are tightened properly (*refer to page 5 - Correct Tightening Method*).
3. DO NOT install your Funky Monkey Bars® over concrete, asphalt, packed earth, wood decking or any other hard surface. A fall onto a hard surface can result in serious injury or death.
4. Inspect all grub screws, bolts and nuts at the beginning of each play session to ensure your Funky Monkey Bars® are tight and secure.
5. Ensure all tubes are fully inserted into fittings until you hear the magic "CLUNK" sound.
6. Ensure your Funky Monkey Bars® are properly secure at ALL times. Pegs are in place and inserted fully into the ground.
7. DO NOT exceed the maximum load/weight limit as recommended by Funky Monkey Bars®.
8. Children should be supervised by an adult at all times.
9. Installing a gym/crash mat under the fall zone area of your Funky Monkey Bars® would be recommended for children learning this new skill. This will reduce the chance of injury and build the child's confidence while they build strength and master the skill.
10. Ensure you have thoroughly read your assembly and installation instructions and viewed our on-line installation videos at <https://www.funkymonkeybars.com/blogs/installation-maintenance-videos>
11. DO NOT climb, sit or stand on top of the monkey bar (horizontal ladder) section.
12. DO NOT jump from the top of any section of the monkey bar.
13. DO NOT use your Funky Monkey Bars® when wet as the steel will be slippery.
14. DO NOT attach items to your frame that are not designed specifically to be used with Funky Monkey Bars®, especially lower quality products that have not been approved by Funky Monkey Bars®.
15. Ensure the height of your Funky Monkey Bars® (horizontal ladder) are set at a level that is age appropriate.
16. DO NOT install your Funky Monkey Bars® over or near objects that could interfere with users in an unsafe way. Maintain a clear area around your Funky Monkey Bars®.
17. DO NOT use your Funky Monkey Bars® while under the influence of drugs and alcohol.
18. Wear clothing free of drawstrings, hooks, loops or anything that could get caught while using your Funky Monkey Bars® and result in entanglement and/or strangulation.

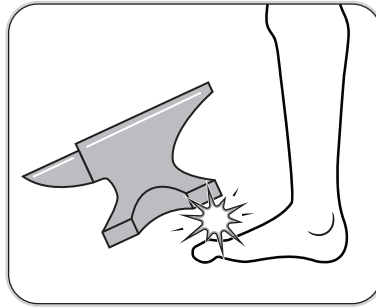
## ASSEMBLY

1. Keep small children away from the Funky Monkey Bars® during assembly.
2. Do not attempt to use the Funky Monkey Bars® until it is completely assembled and every fitting is tight and secured.
3. Installation typically takes 1-2 hours to complete. Two people are recommended for assembly.
4. Ensure all fittings are tightened to the correct tightening method as described on page 5.
5. Assembly should be carried out on clean, dry, level surface

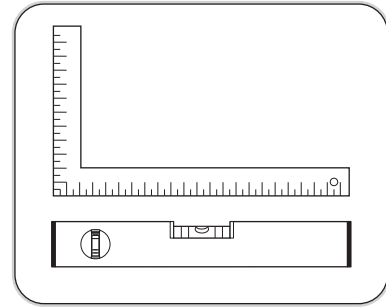
Please refer to the video section on the Funky Monkey Bars® website for more handy tips and assembly instructions at <http://www.funkymonkeybars.com/pages/videos>



Assembly requires 2 adults.



Heavy items !



Work on flat level surface.

## LOCATION

1. A safe fall zone around your Funky Monkey Bars® is essential. A minimum distance of 1.5m to 2m (5 ft to 6.5ft) is recommended around the elevated hanging points of your Funky Monkey Bars®.
2. Place your Funky Monkey Bars® on level ground, away from any structure or obstruction such as a fence, garage, house, overhanging branches, laundry lines or electrical wires and remove any obstructions beneath your Funky Monkey Bars®.
3. Ensure your Funky Monkey Bars® are positioned away from retaining walls, pool fences, structures and other play equipment. Maintain a clear space around the whole perimeter of your Funky Monkey Bars®.
4. Place your Funky Monkey Bars® on the most level surface available.

## MAINTENANCE

1. At the beginning of each heavy play session we recommend the following maintenance processes be performed on your Funky Monkey Bars®:
  - Tighten all bolts, grub screws and applicable hardware (as per page 5)
  - Lubricate all metallic moving parts as per instructions (flying fox, swing hooks etc)
  - Check all protective coverings on bolts, pipes, edges and corners. Replace if they are loose, cracked or missing.
  - Check all moving parts including swing seats, shackles, snap hooks, chains and trolleys for wear, rust, or other deterioration. Replace as needed.
2. Twice a month during play season we would recommend the following maintenance processes be performed on your Funky Monkey Bars®:
  - Tighten all connections and hardware
  - Check all protective coverings on bolts, pipes, edges and corners. Replace if they are loose, cracked or missing.
3. Once a month during play season we would recommend the following maintenance processes be performed on your Funky Monkey Bars®:
  - Lubricate all metallic moving parts as per instructions (flying fox, swing hooks etc). If swings start to squeek then lubricate swing hooks.
  - Check all moving parts including swing seats, ropes, chains and trolleys for wear, rust, or other deterioration. Replace as needed.
  - Owners shall be responsible for maintaining the legibility of any warning labels.

For additional information concerning your Funky Monkey Bars®, please contact our customer service team or check our website for any important updates. Phone - 1300 912 198 or [www.funkymonkeybars.com](http://www.funkymonkeybars.com)



**QUALITY & INDEPENDENT TESTING**

At Funky Monkey Bars® we take the quality of our designs and safety very seriously. All Funky Monkey Bars® frames go through a stringent, independent structural testing process prior to being made available for release to our customers.

Our frames are designed within the parameters of the Australian Standard for Playground Equipment AS4685.1:2014.

The structural integrity of our frames has been tested for performance through a combination of engineering calculations and physical testing. The tests have been performed by independent, certified structural engineers in accordance with Australian Standard for Playground Equipment AS4685.1:2014 and European Standards EN1176-1:2008.

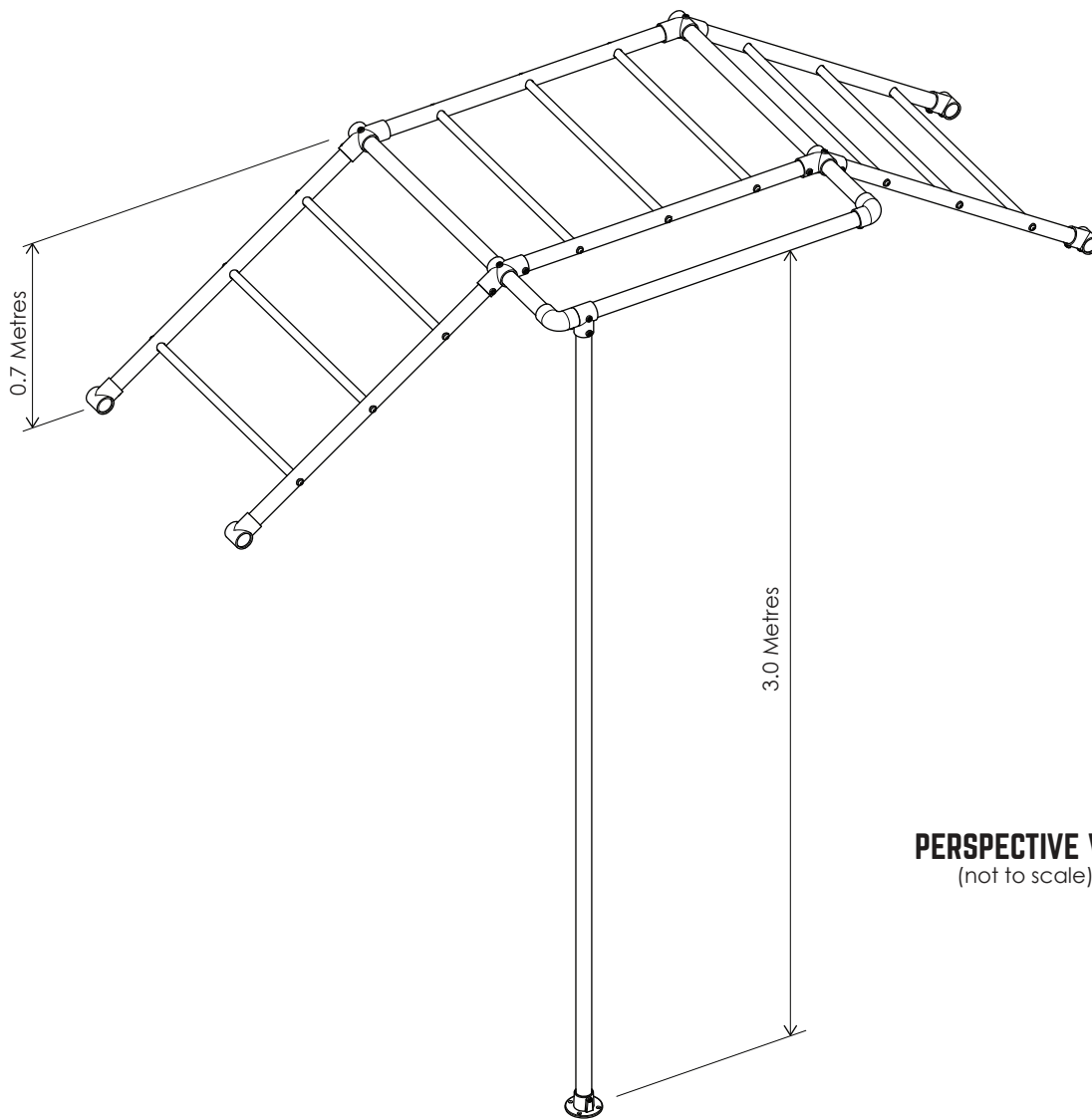
The independent testing conducted on The Combat Ladder certified the frame to a load rating of 1281kgs or 21 users when installed on The Orangutan and 1620kg or 27 users when installed on The Gorilla. The maximum number of users for The Combat Ladder is to be 4 users (240kgs)

<b>LOAD TESTING CERTIFICATION</b>				
<b>DATE OF TEST</b>	<b>MODEL</b>	<b>NUMBER OF USERS</b>	<b>USER LOAD (KG)</b>	<b>LOAD RATING (KG)</b>
27 May 2019	Combat Ladder on Orangutan	4	61	240
27 May 2019	Combat Ladder on Gorilla	4	60	240
I hereby confirm all testing was undertaken in accordance with Physical Testing of Structural Integrity requirements of AS 4685.1: 2014 App C / EN 1176-1:2008 <sup>o</sup> except where noted below;				
<b>COMMENTS:</b> Maximum of 4 users on Combat Ladder. (240kgs)				
<b>APPROVED BY:</b> Funky Monkey Bars®    <b>DATE :</b> 27 May 2019			<b>WITNESSED BY:</b> Independent Engineer    <b>DATE :</b> 27 May 2019	

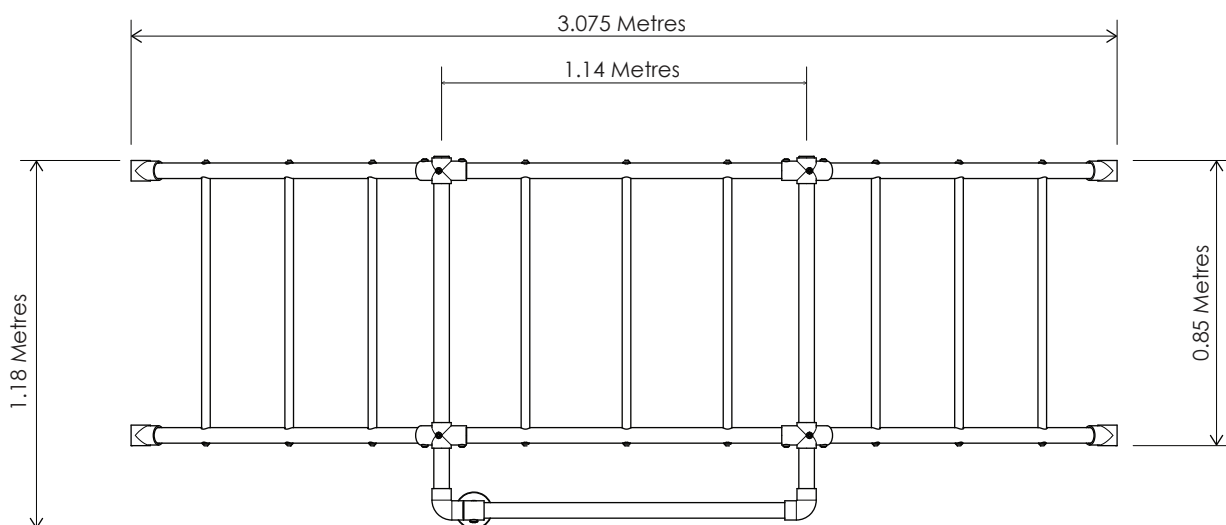


# DIMENSIONS

## FUNKY MONKEY BARS® COMBAT LADDER OVERALL DIMENSIONS



**PERSPECTIVE VIEW**  
(not to scale)

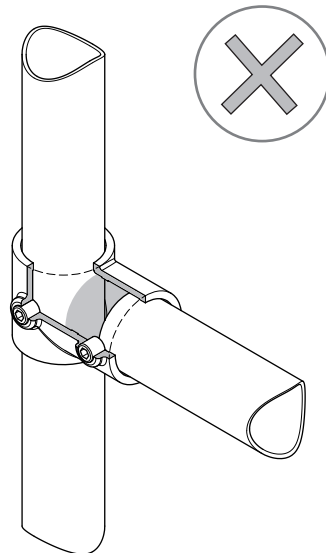


**PLAN VIEW**  
(not to scale)

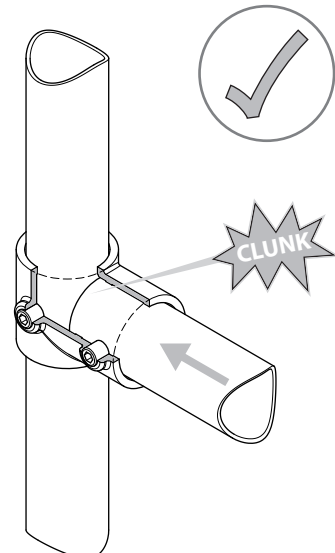
## ASSEMBLY TIPS

### CORRECT INSERTION INTO FITTINGS - (INDICATIVE DIAGRAM SHOWN)

All tubes must be fully inserted until contact is made with adjoining tube.

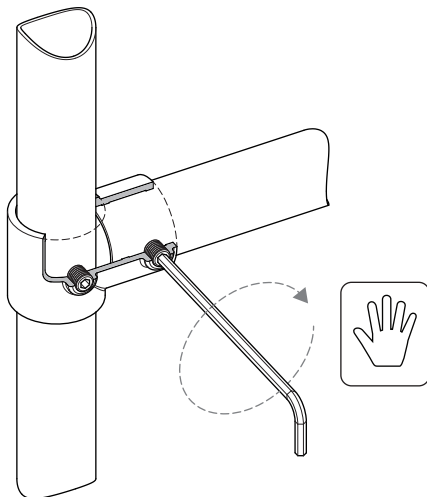


Gap.

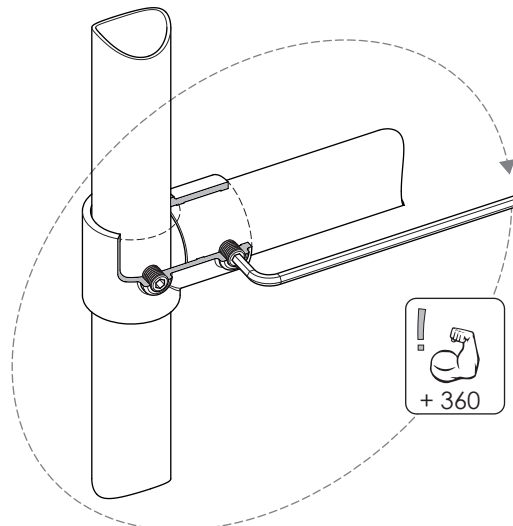


No gap.

### CORRECT TIGHTENING METHOD OF GRUB SCREWS - (INDICATIVE DIAGRAM SHOWN)



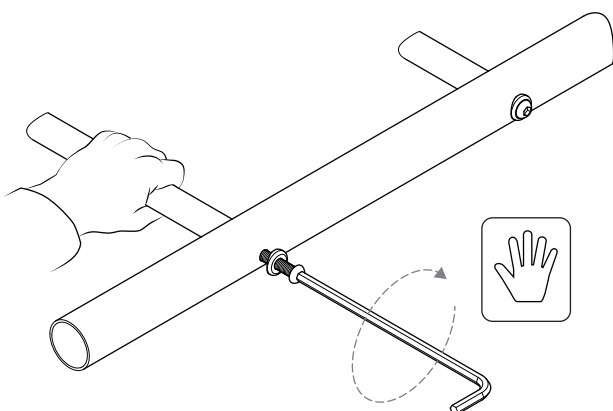
1. With long end of allen key, hand tighten grub screw as much as possible.



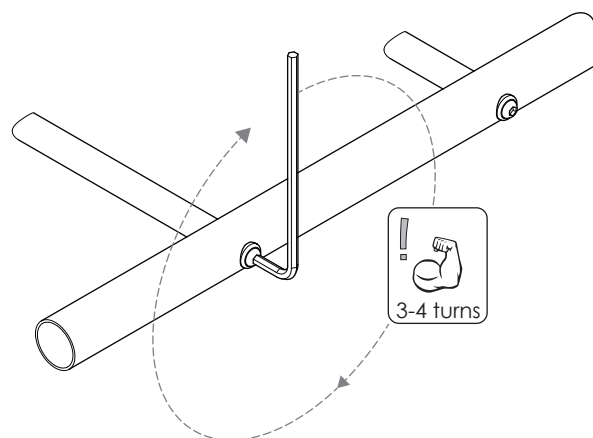
2. Using other end of the allen key do one full 360 degree turn as a minimum, use muscles!



### CORRECT TIGHTENING METHOD OF RUNG BOLTS - (INDICATIVE DIAGRAM SHOWN)



1. With long end of allen key, hand tighten bolt hard up against washer and outside of tube. Hold rung to avoid rotation.

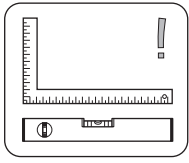


2. Using short end of the allen key fully tighten, approximately 3-4 full turns .

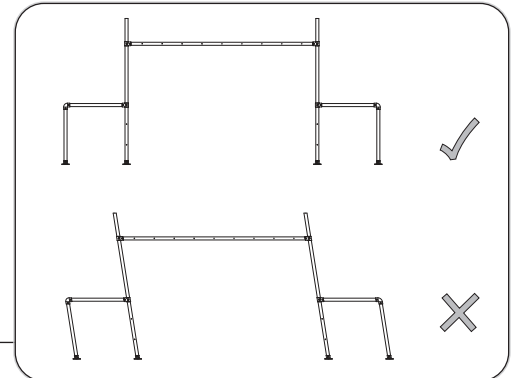
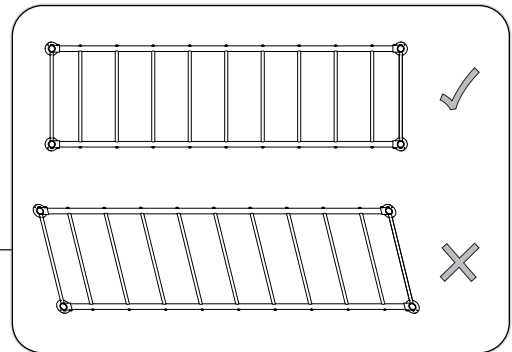
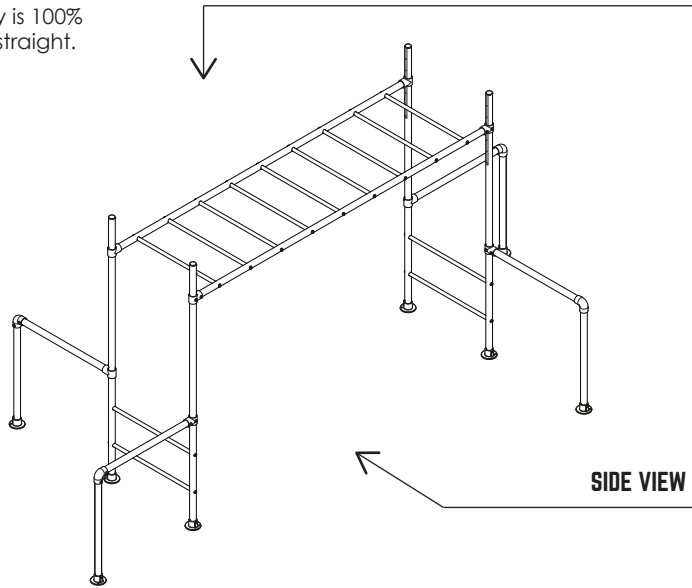


## ASSEMBLY TIPS (CONTINUED)

### IT IS CRITICAL YOUR MAIN FRAME IS 100% SQUARE AND LEVEL (INDICATIVE DIAGRAM SHOWN)



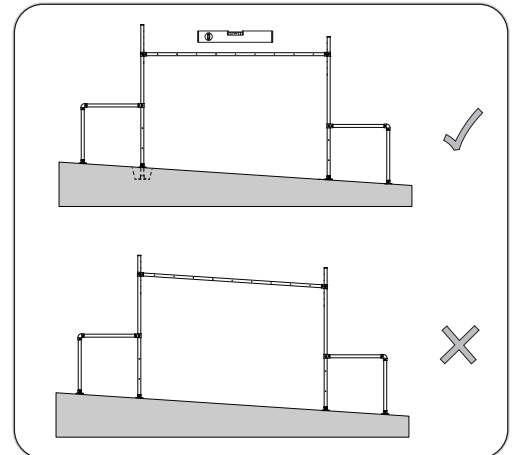
Check assembly is 100% level, square & straight.



If your frame is not straight or level remove pegs, loosen grub screws, re-adjust re-tighten and re-peg the frame.

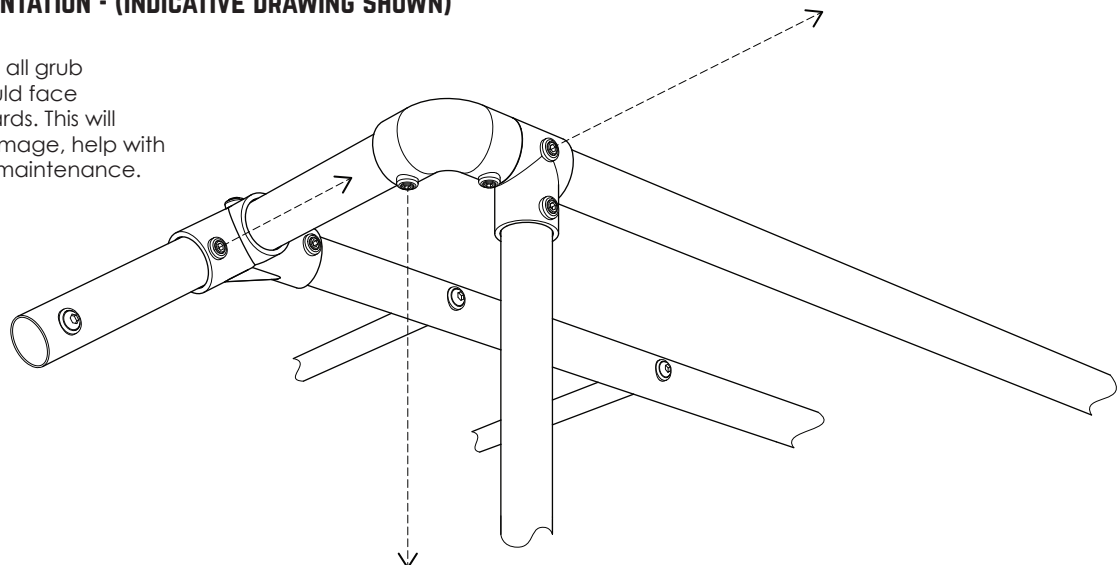
### INSTALLATION ON A SLOPE

If your frame is being installed on a slope ensure the monkey ladder bar is level. Either install at different heights on the legs or dig down at one end until level.



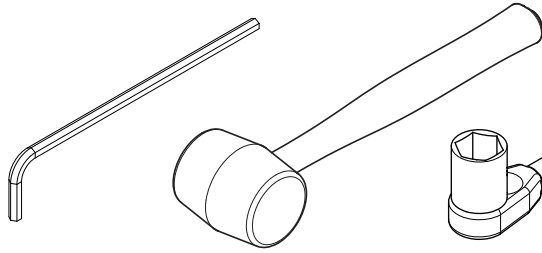
### FIXING TYPICAL ORIENTATION - (INDICATIVE DRAWING SHOWN)

Unless otherwise stated all grub screws and fittings should face downwards and outwards. This will reduce weathering damage, help with assembly and ease of maintenance.

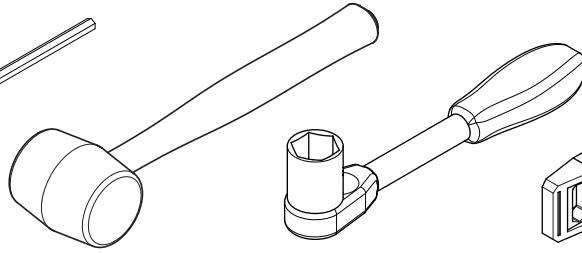


# INVENTORY

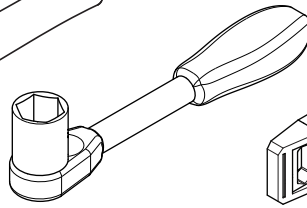
## TOOLS REQUIRED FOR INSTALLATION



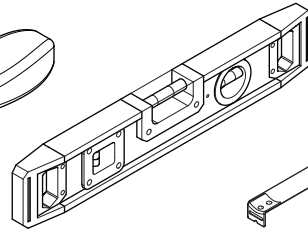
**1x**  
8mm Allen key  
(Included)



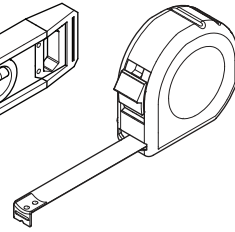
**1x**  
Soft Hammer  
(Not included)



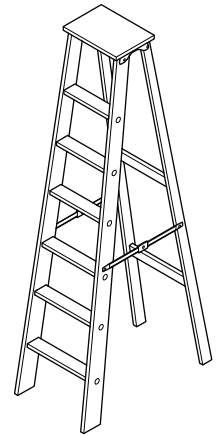
**1x**  
17mm Ratchet  
(Not included)



**1x**  
Spirit Level  
(Not included)



**1x**  
Tape Measure  
(Not included)




**1x**  
3m Step Ladder  
(Not included)

## TUBES


**9x**  
Rung Tube  
25Dia. x 850mm




**3x**  
Top Support Tube  
50Dia. x 1085mm



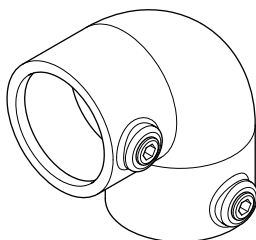
**6x**  
Combat Ladder tube  
50Dia. x 1085mm



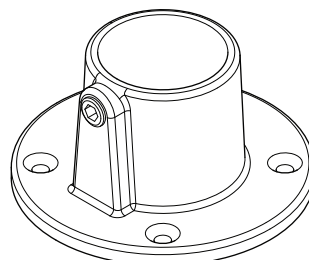
**1x**  
Power Pole  
50Dia. x 2950mm



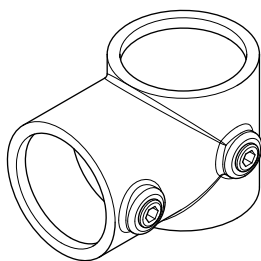
## FITTINGS



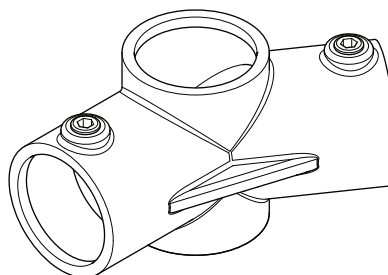
**2x**  
Elbow  
D-125



**1x**  
4 Hole Base Plate  
D-131



**5x**  
Short Tee  
D-101



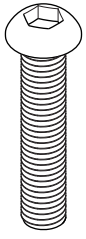
**4x**  
145° 3 Way  
D-120



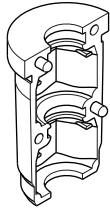
**4x**  
Peg

## INVENTORY (CONTINUED)

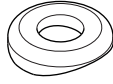
### HARDWARE



**19x**  
M10 Bolt



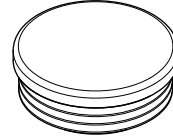
**38x**  
Rung Insert



**19x**  
Washer



**38x**  
M10 Hex Nut

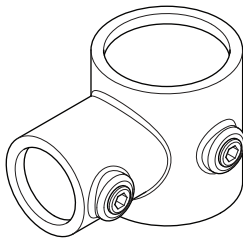


**2x**  
Plastic End Cap

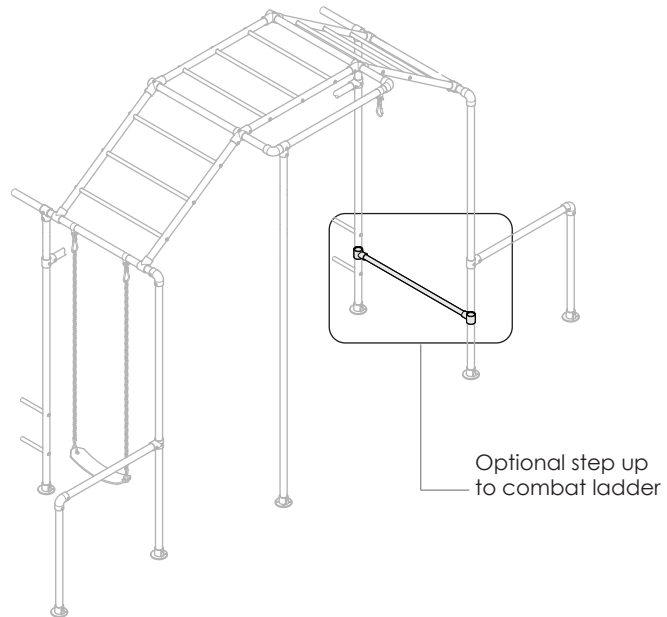
### ADDITIONAL COMPONENTS (OPTIONAL STEP TUBE)

Within your pack you have received additional components to assemble a step tube up to the combat ladder *only* if desired. If you have a swing or any other accessory currently in place there is no need to install the step.

This item is installed in step 10. & should only be installed if required and is not obstructing another accessory.



**2x**  
Reducing Tee  
D-101 D48-B34



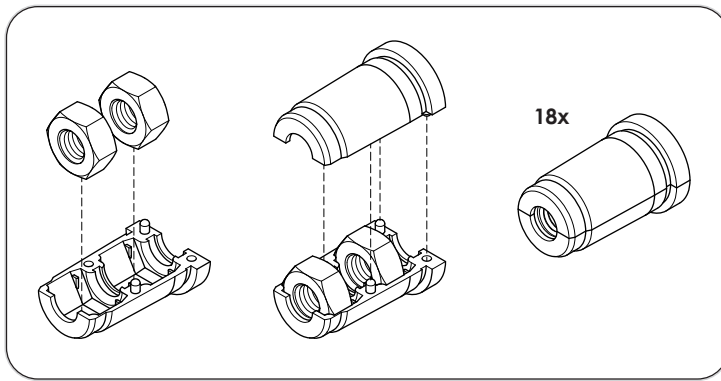
**1x**  
Step Tube  
33Dia. x 1040mm

One of the best things about a Funky Monkey Bar is the ability to add new equipment and accessories as your child and family grows. You can swap or add accessories to your existing frame, or add extra frames that will give you more versatility to attach equipment. Check out what we've got in store now at...

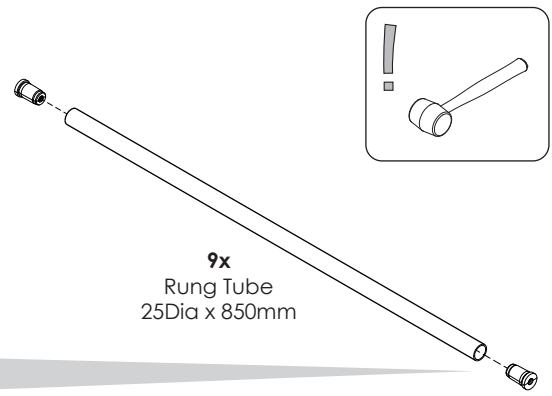
[WWW.FUNKYMONKEYBARS.COM](http://WWW.FUNKYMONKEYBARS.COM)

# ASSEMBLY INSTRUCTIONS - COMBAT LADDER ASSEMBLY

## 1 RUNG ASSEMBLY (X9)

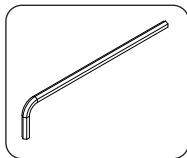


1. Assemble plastic rung inserts as shown above.

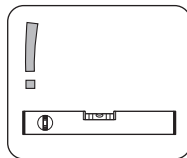


2. Push inserts into both ends of all rungs.

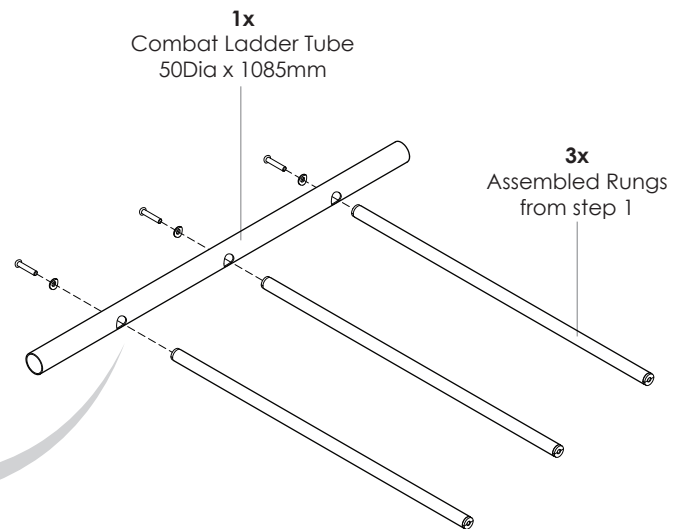
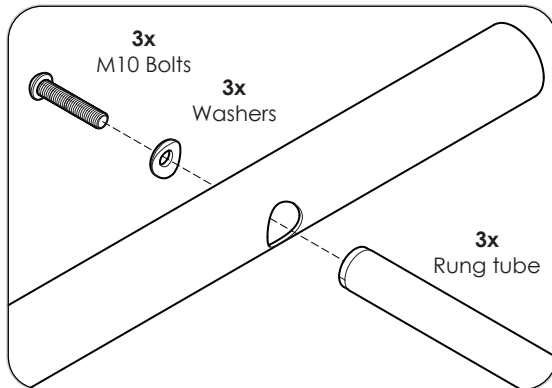
## 2 COMBAT LADDER (X3)



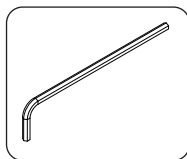
Hand tighten all bolts.



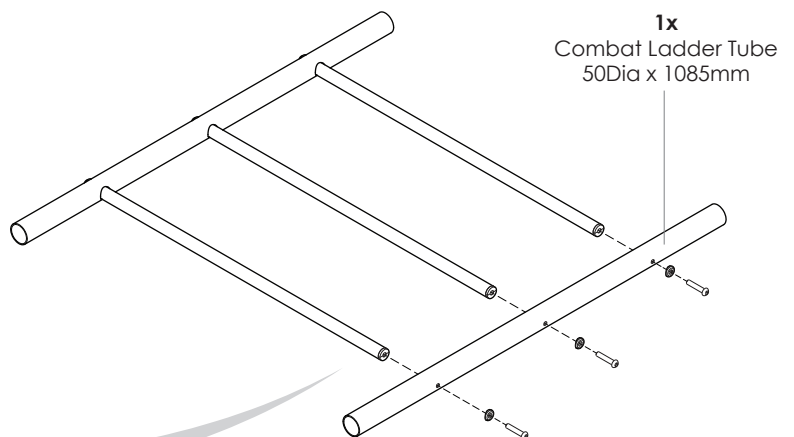
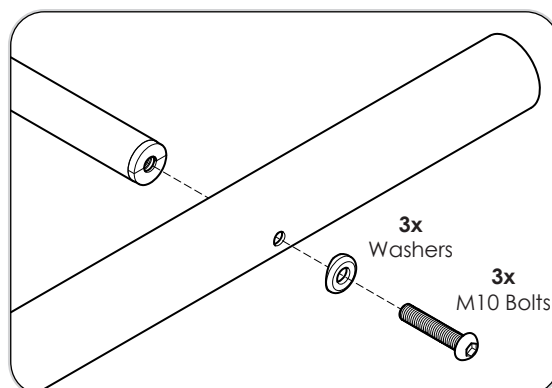
Assemble on flat surface.



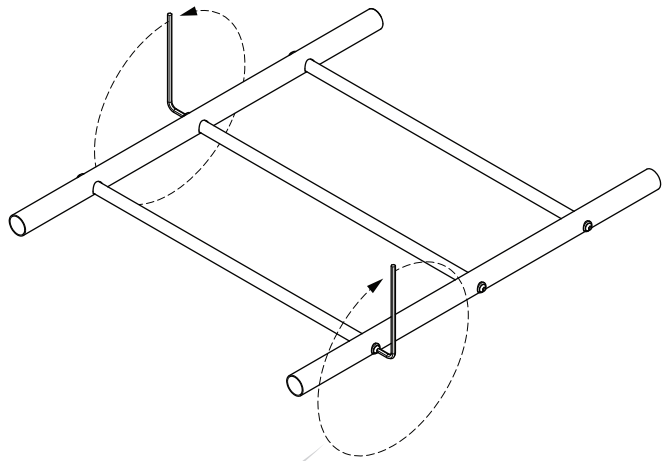
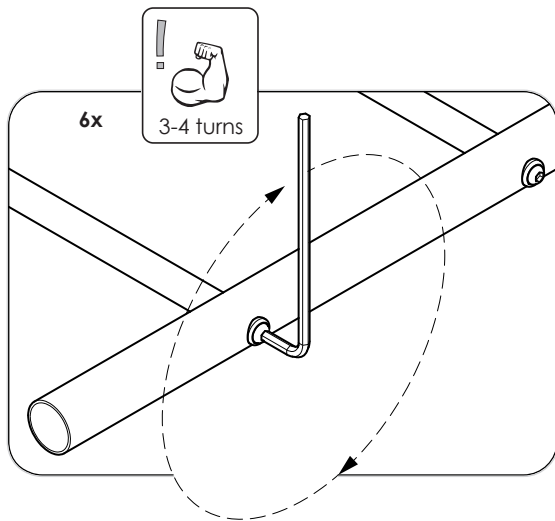
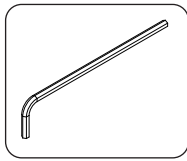
## 3 ATTACH SECOND HALF LADDER TUBE



Hand tighten all bolts

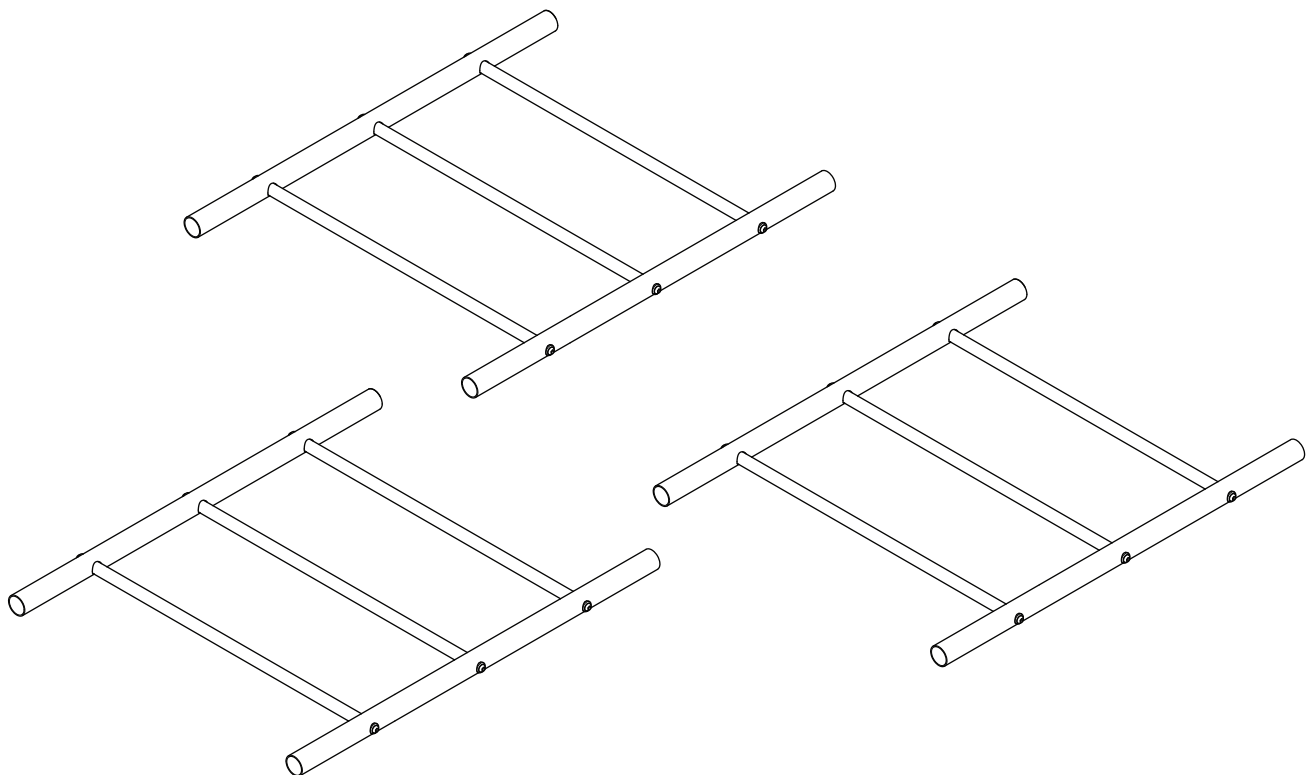


**4** FIRMLY TIGHTEN ALL GRUB SCREWS.

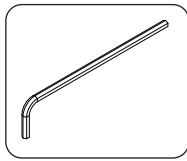
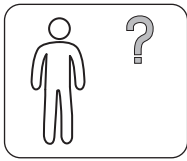


**5** REPEAT STEPS 2 - 4 FOR 2 MORE COMBAT LADDERS.

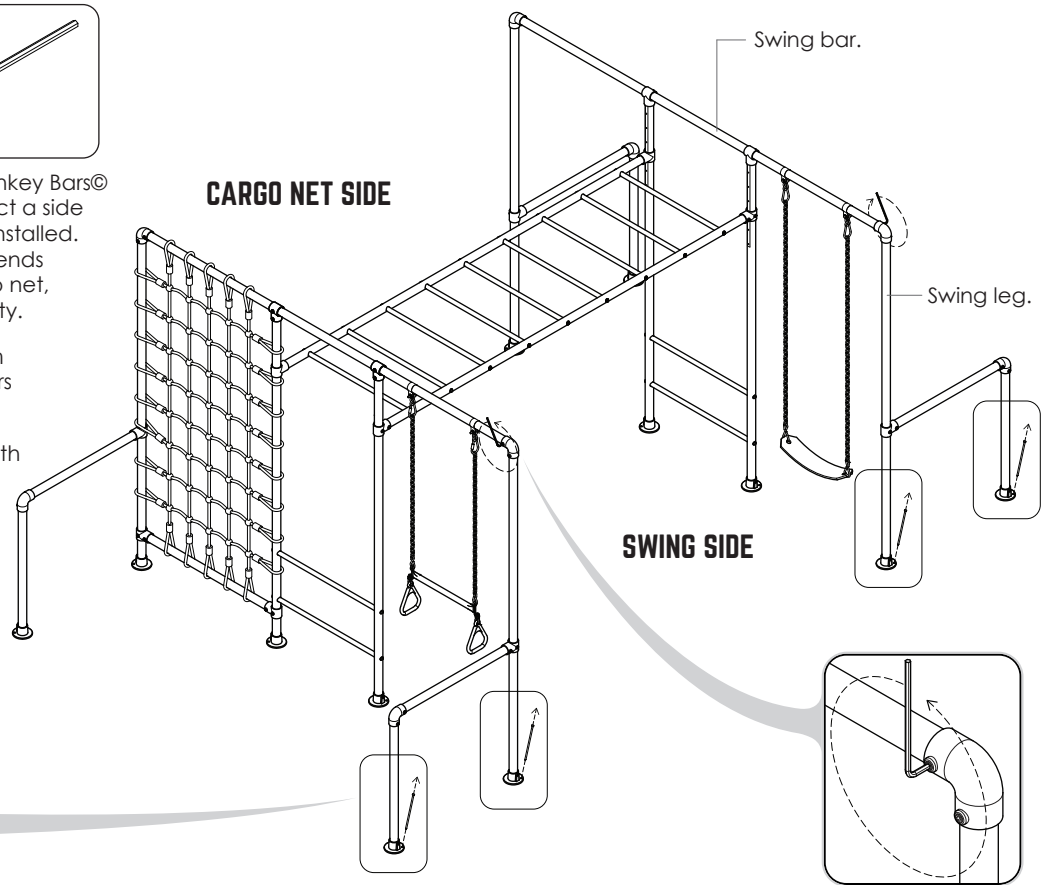
**6** COMBAT LADDER X3.



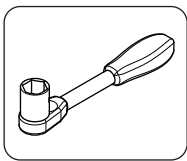
**7 SELECT THE LOCATION FOR THE COMBAT LADDER - (GORILLA MODEL SHOWN)**



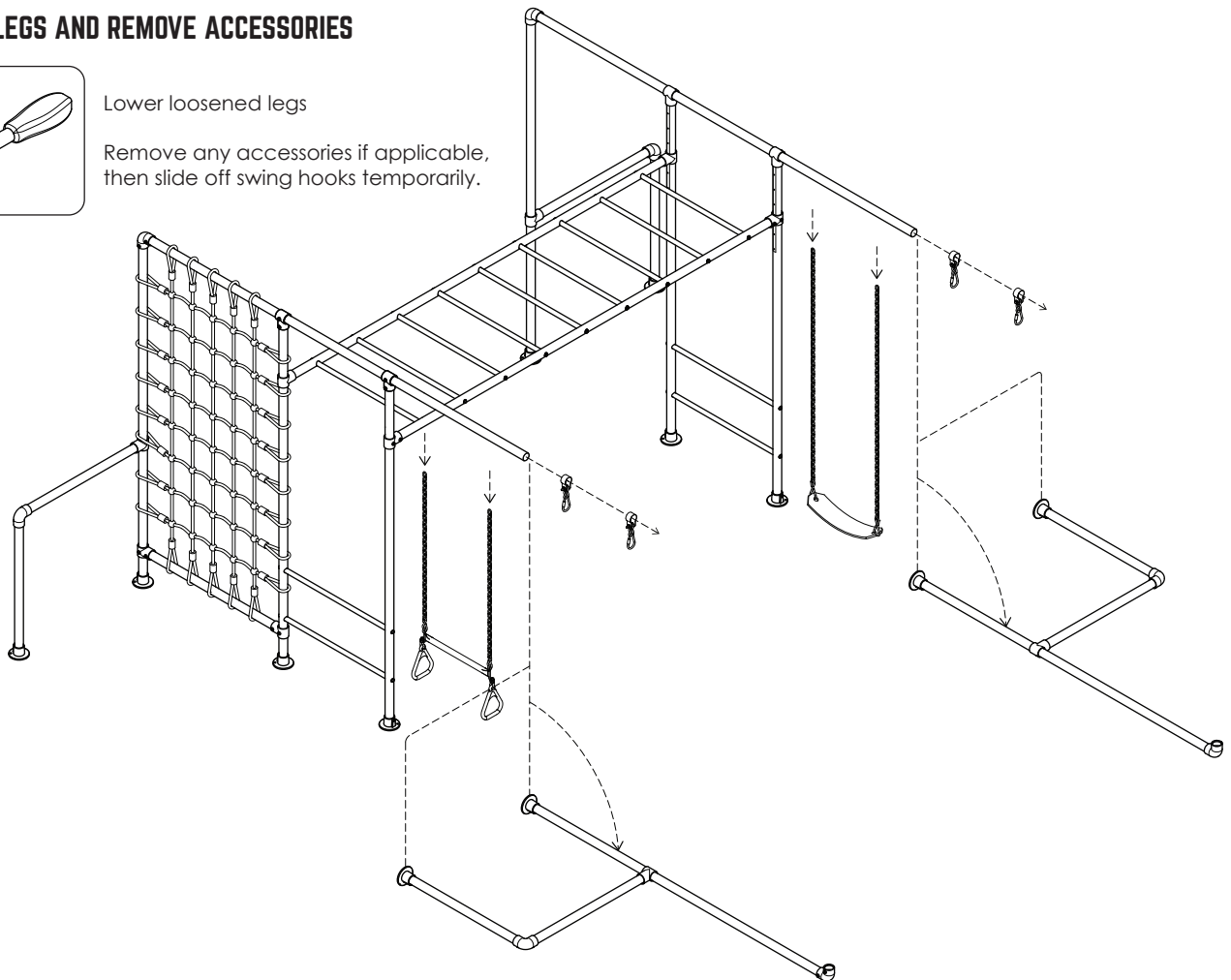
1. Depending on your Funky Monkey Bars® model and configuration select a side for the combat ladder to be installed. Funky Monkey Bars® recommends the opposite side to the cargo net, for ease of assembly and safety.
2. Remove base plate pegs from swing legs and twirly whirly bars on selected side.
3. Loosen top grub screws on both elbows on the selected side.



**8 LOWER LEGS AND REMOVE ACCESSORIES**



Lower loosened legs  
Remove any accessories if applicable, then slide off swing hooks temporarily.

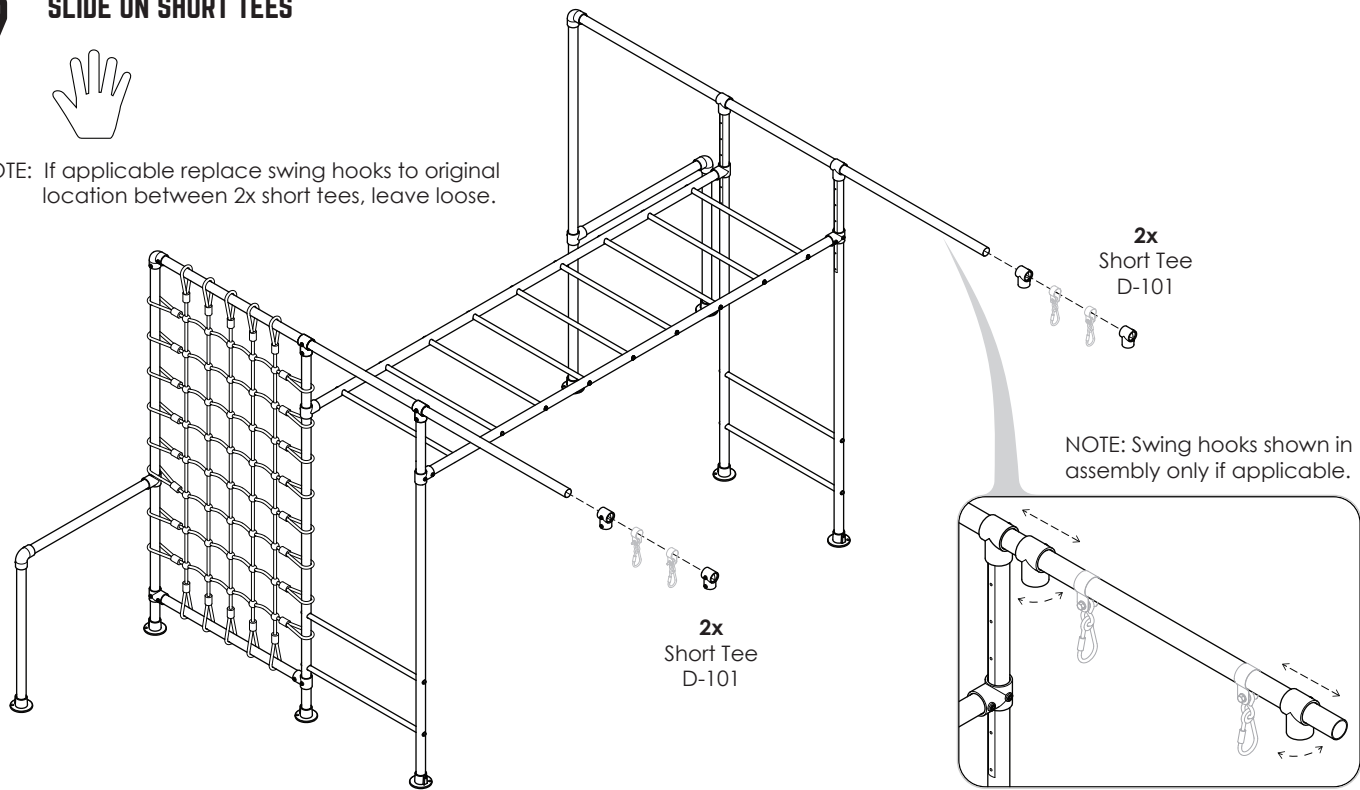




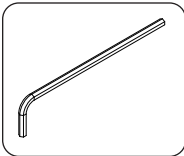
## 9 SLIDE ON SHORT TEES



NOTE: If applicable replace swing hooks to original location between 2x short tees, leave loose.



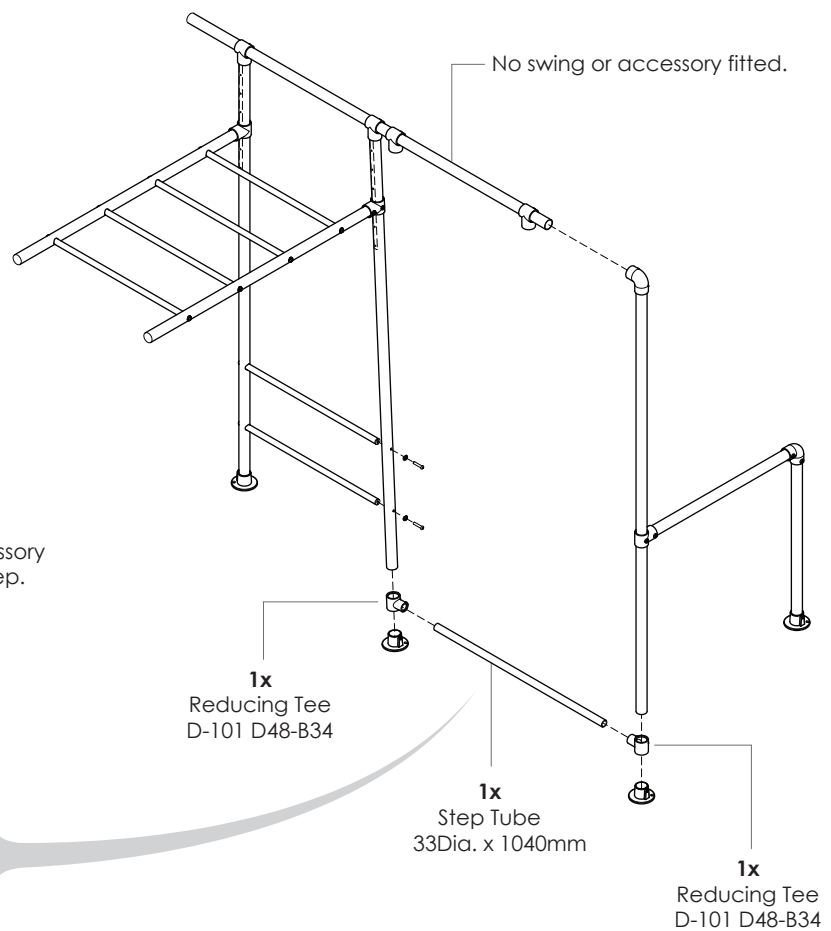
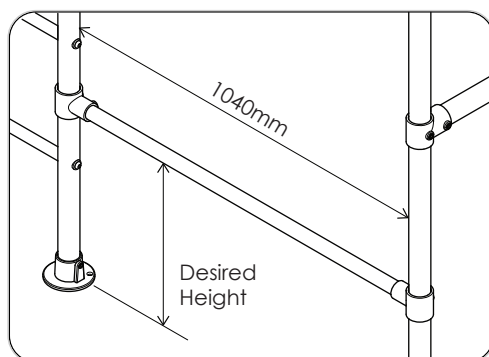
## 10 INSTALL OPTIONAL STEP TUBE IF DESIRED



Using the additional components (page 8) install the step tube up to the combat ladder.

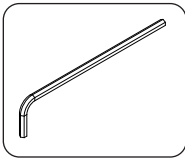
1. You will need to remove a number of fittings in order to fit the step tube. In most cases it will be easier to install from the base, upwards.
2. Remove any pegs, bolts and fittings required to install the step tube & reducing tees, then refit and retighten all grub screws.

NOTE:  
If you currently have a swing or any other accessory in place above there is no need to install the step.

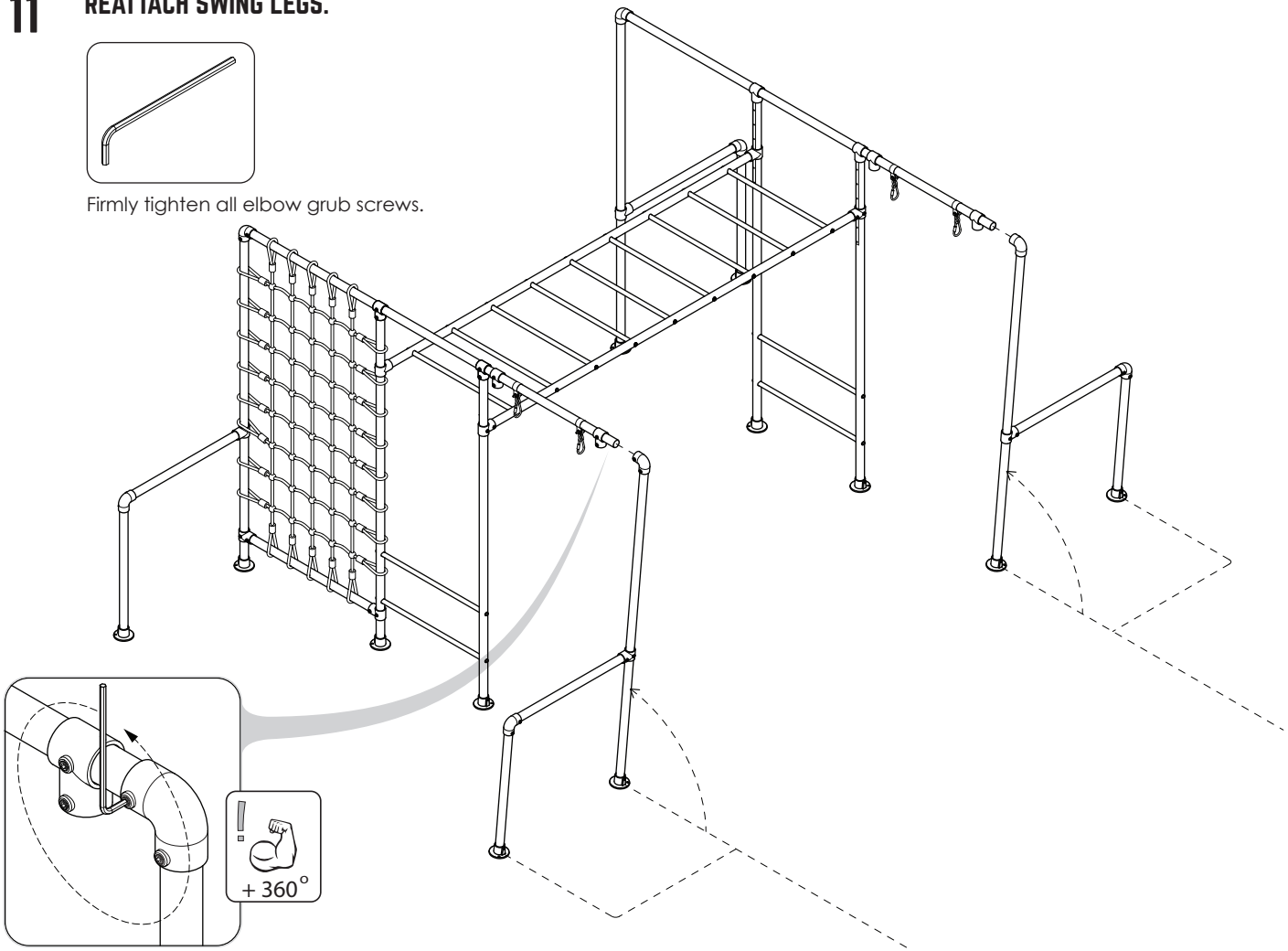


**AS THE STEP TUBE IS AN ADDITIONAL OPTION THE ASSEMBLY INSTRUCTIONS WILL CONTINUE FROM STEP 11 WITHOUT SHOWING THIS ITEM INSTALLED.**

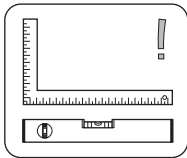
## 11 REATTACH SWING LEGS.



Firmly tighten all elbow grub screws.

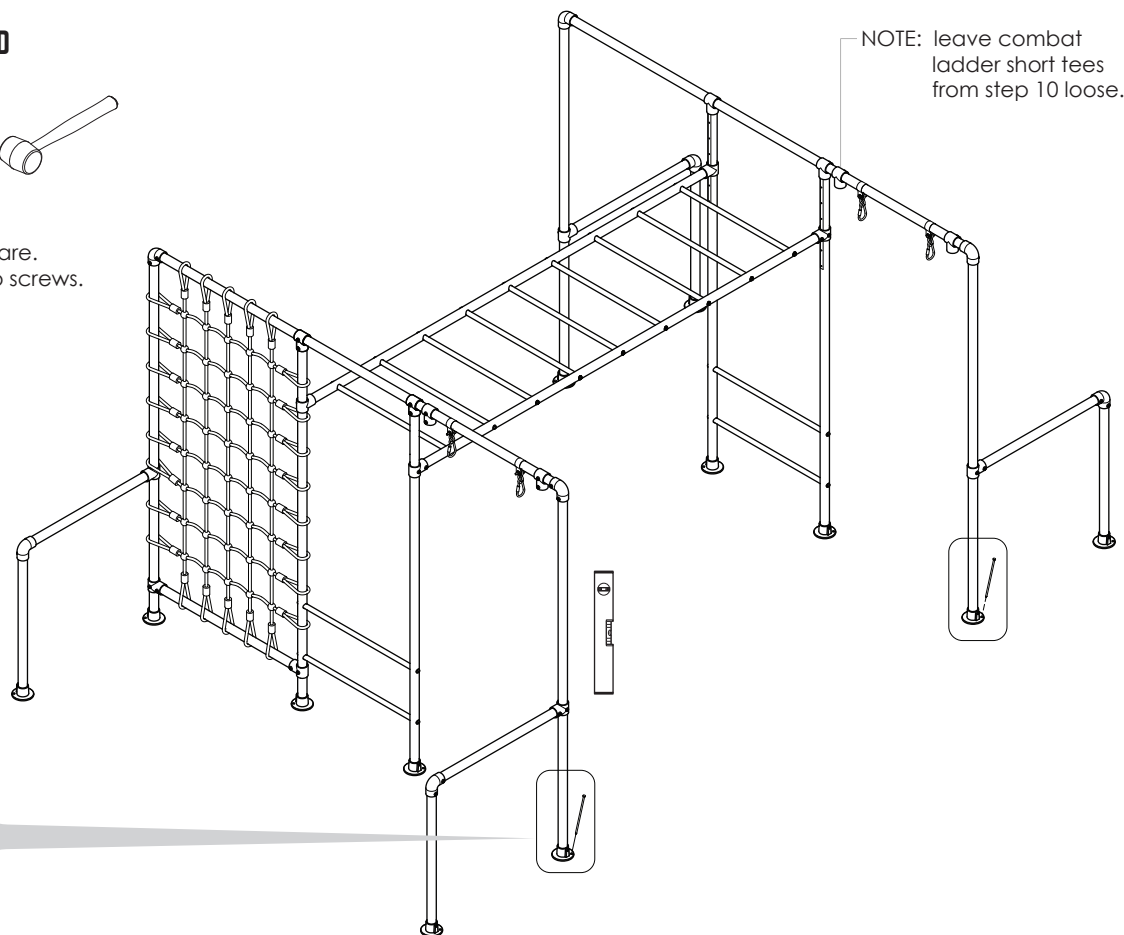
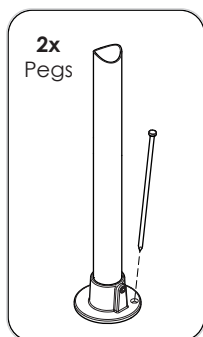


## 12 SECURE TO GROUND



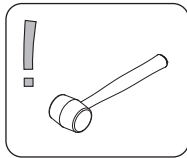
1. Check level and square.
2. Firmly tighten all grub screws.
3. Hammer in pegs x2.

NOTE: leave combat ladder short tees from step 10 loose.

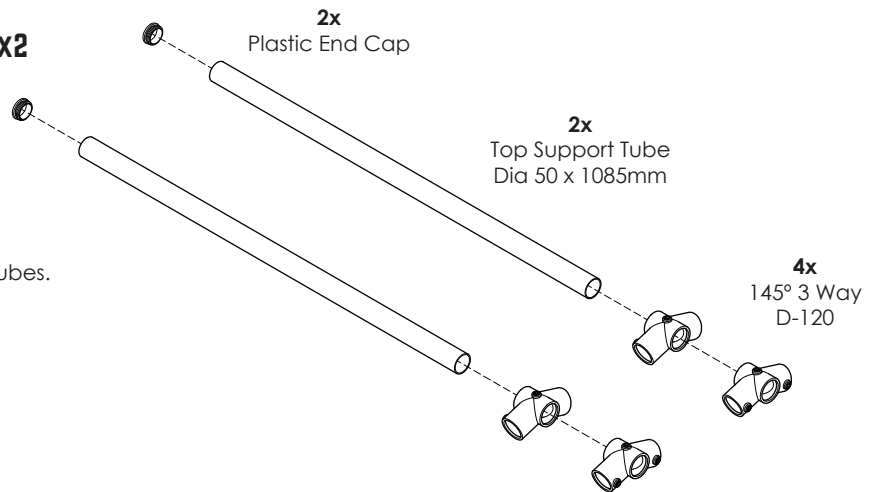


# ASSEMBLY INSTRUCTIONS - COMBAT LADDER

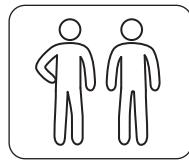
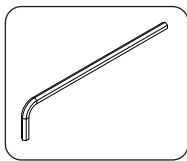
## 13 ASSEMBLE COMBAT LADDER JOINER X2



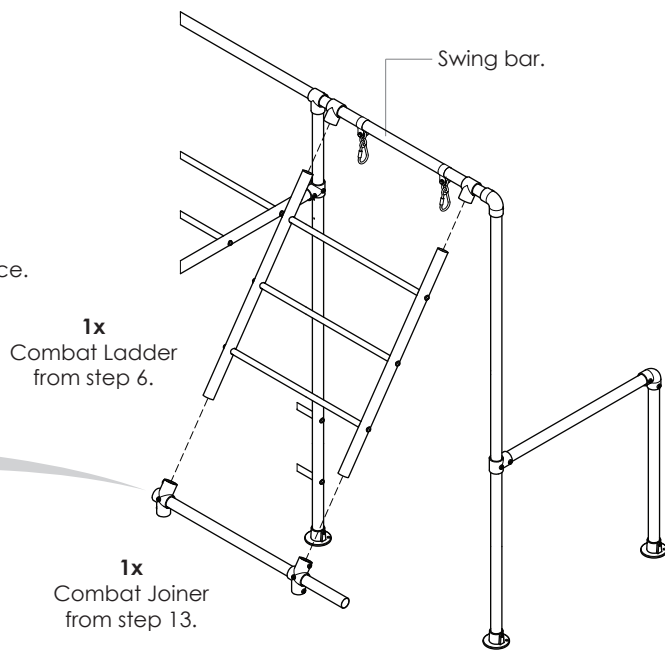
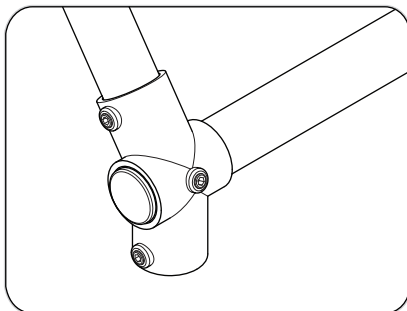
Insert plastic end caps into top support tubes. Slide on 145° 3 way fittings. Leave fittings hand tight only.



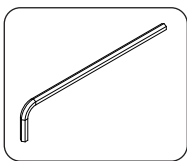
## 14 ATTACH FIRST COMBAT LADDER & JOINER



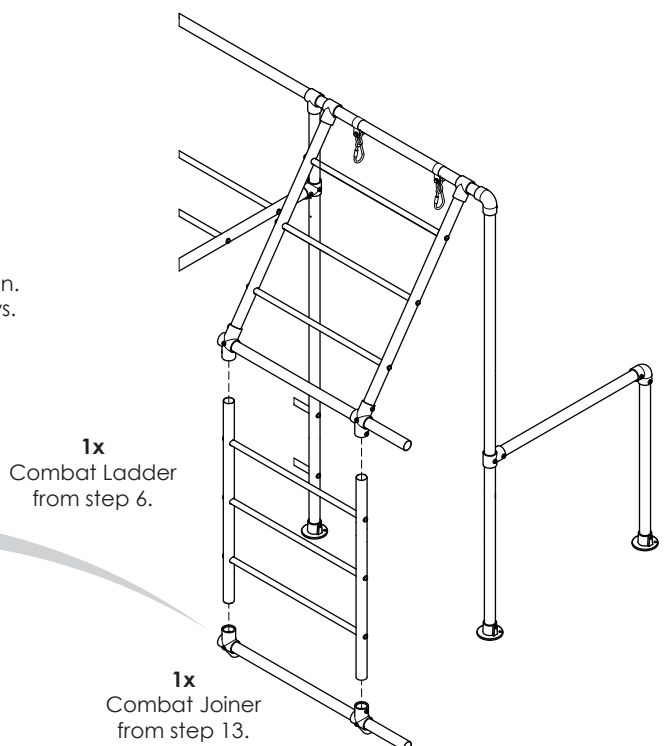
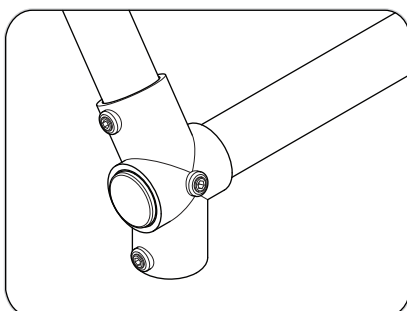
1. Attach combat ladder to short tees on one swing bar end. Position centrally & tighten in place.
2. Insert joiner onto other end of combat ladder. Ensure plastic end cap in top support tube is flush with end of 145° fitting. Tighten grub screws



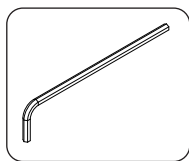
## 15 ATTACH SECOND COMBAT LADDER & JOINER



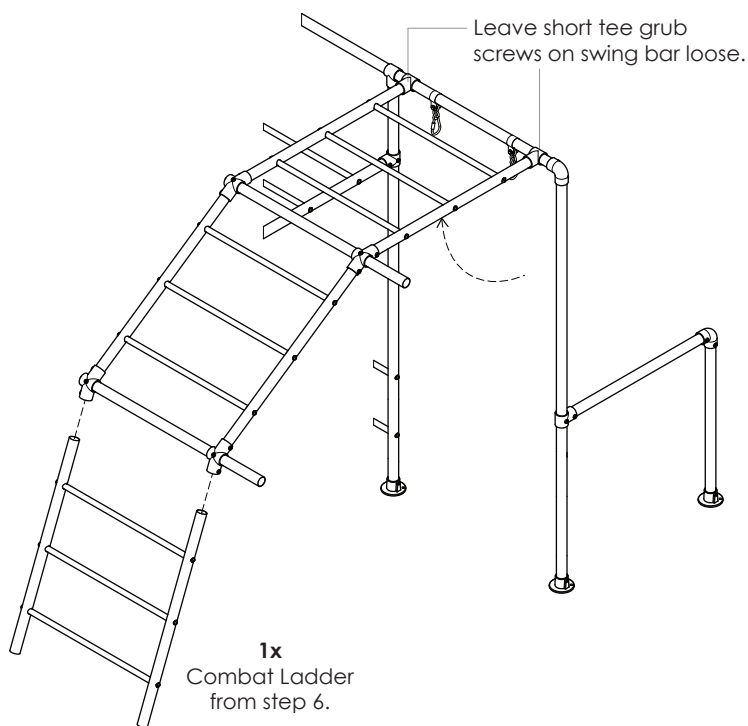
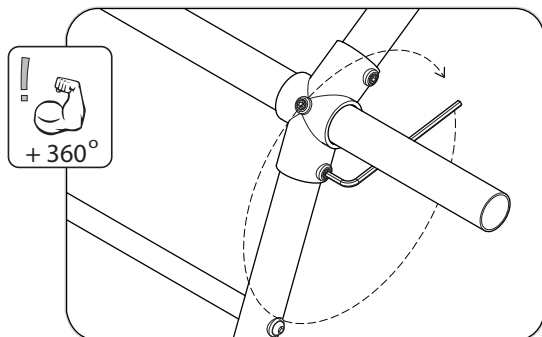
1. Attach second combat ladder to 145° joiner & tighten. Then attach second joiner and tighten all grub screws.
2. Ensure plastic end cap in top support tube is flush with end of 145° fitting. Tighten grub screws.



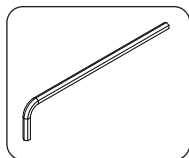
## 16 ATTACH THIRD COMBAT LADDER



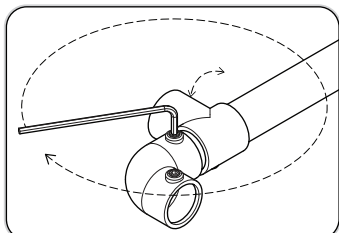
1. Attach final combat ladder to 145° fitting & tighten.
2. Fully tighten all fixings except onto swing bar.



## 17 ASSEMBLE SUPPORT SECTION

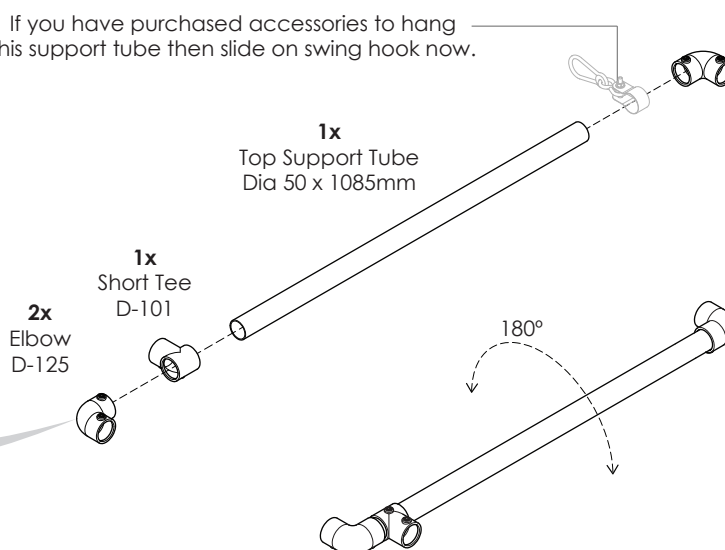


1. Tighten grub screws on elbows. Leave short tee loose on support tube.

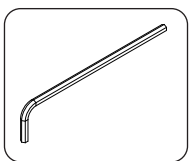


2. Flip over assembly for installation

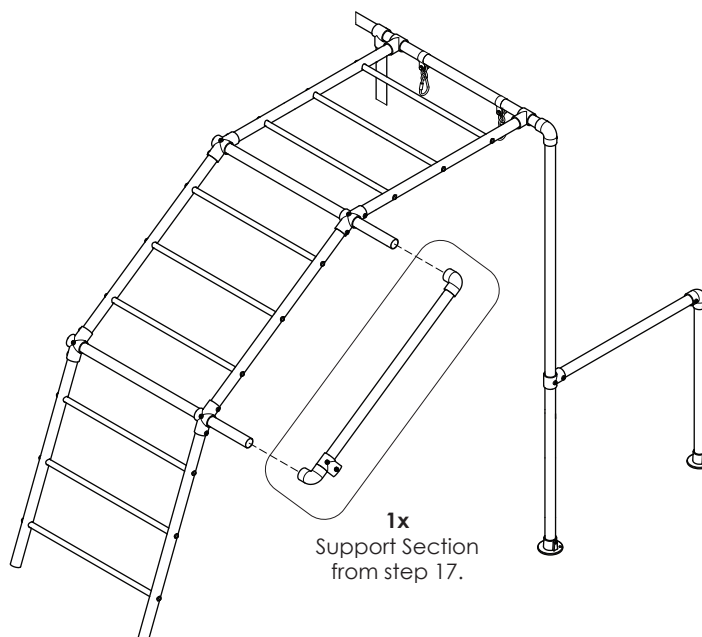
NOTE: If you have purchased accessories to hang from this support tube then slide on swing hook now.



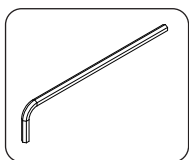
## 18 ATTACH SUPPORT SECTION TO COMBAT LADDER



Once attached tighten all elbow grub screws.



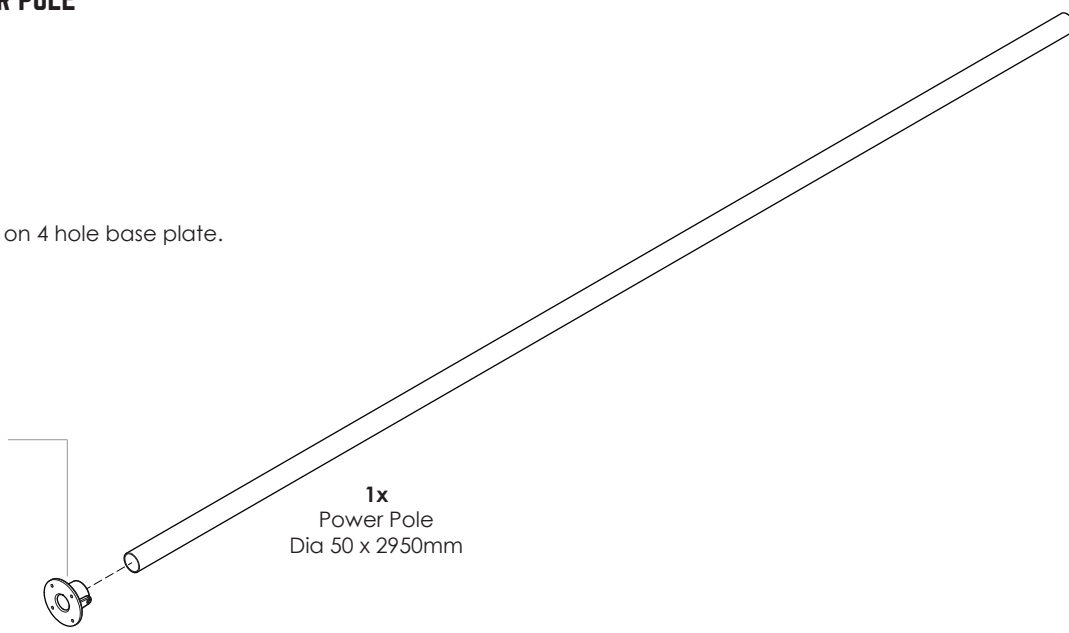
## 19 ASSEMBLE POWER POLE



1. Tighten grub screw on 4 hole base plate.

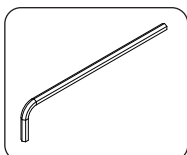


1x  
4 Hole Base Plate  
D-131

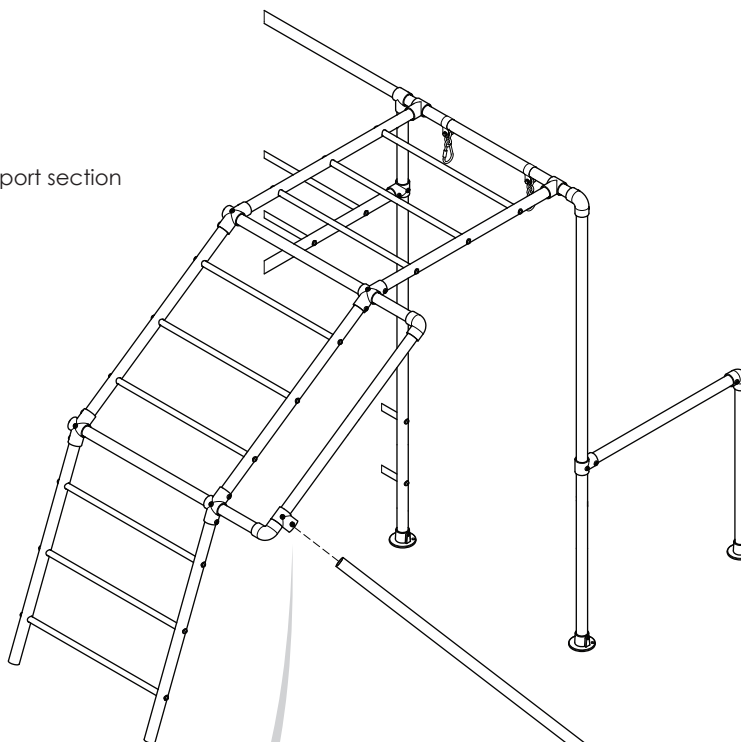


1x  
Power Pole  
Dia 50 x 2950mm

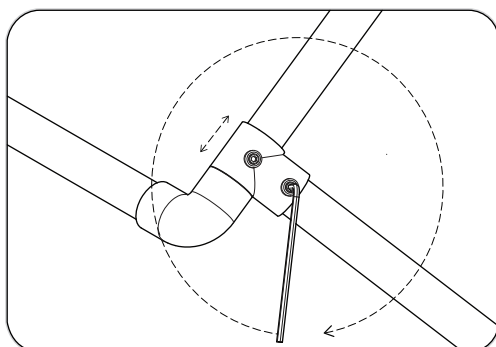
## 20 ATTACH POWER POLE TO COMBAT LADDER



Insert power pole into short tee on support section & tighten the grub screw..

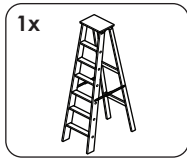
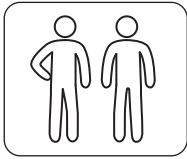


Leave short tee loose on support tube.

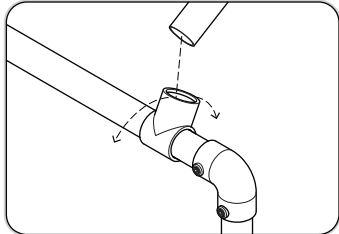


1x  
Power Pole  
from step 19.

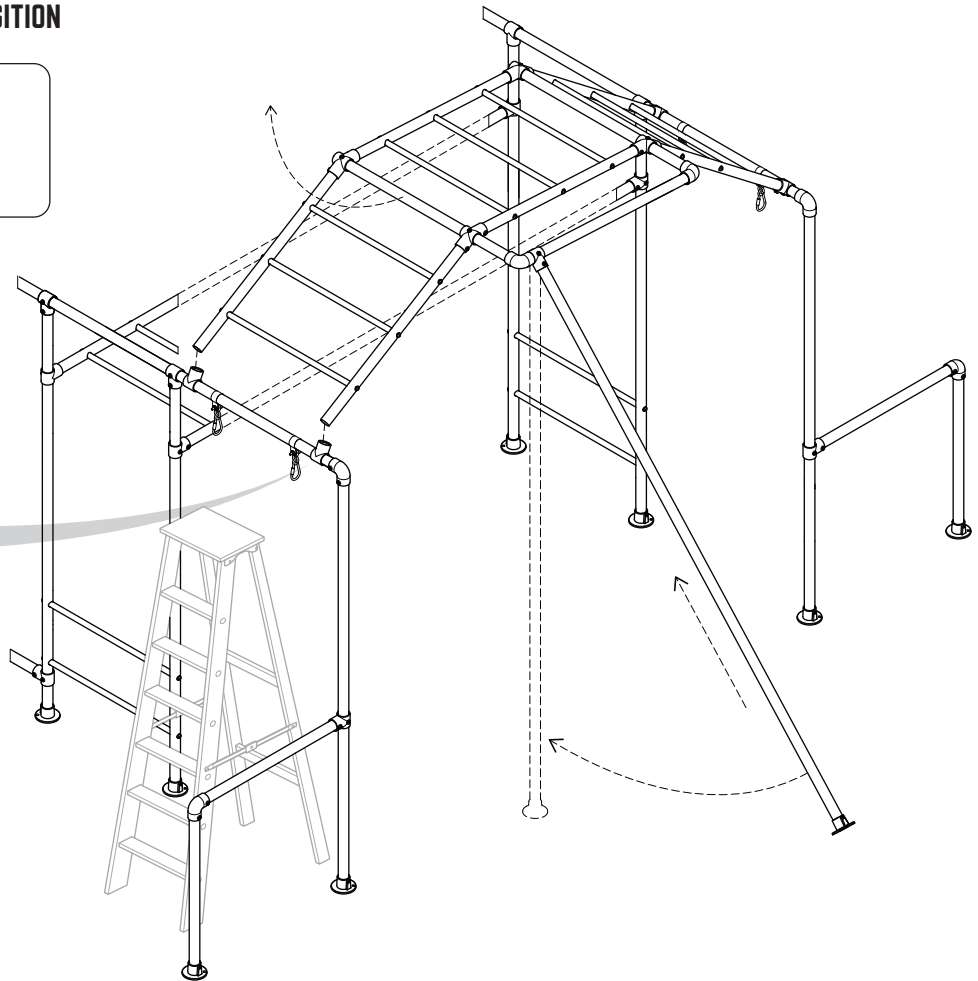
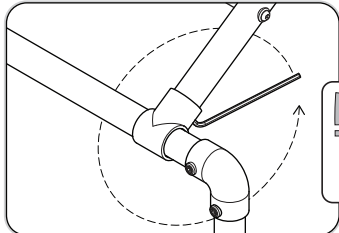
## 21 LIFT COMBAT LADDER INTO POSITION



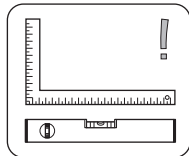
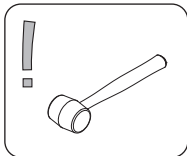
1. With the first person pushing inwards & upwards on the support leg, move the combat ladder up into position.
2. The second person up a 3m ladder guides the combat ladder into the short tees on the swing bar.



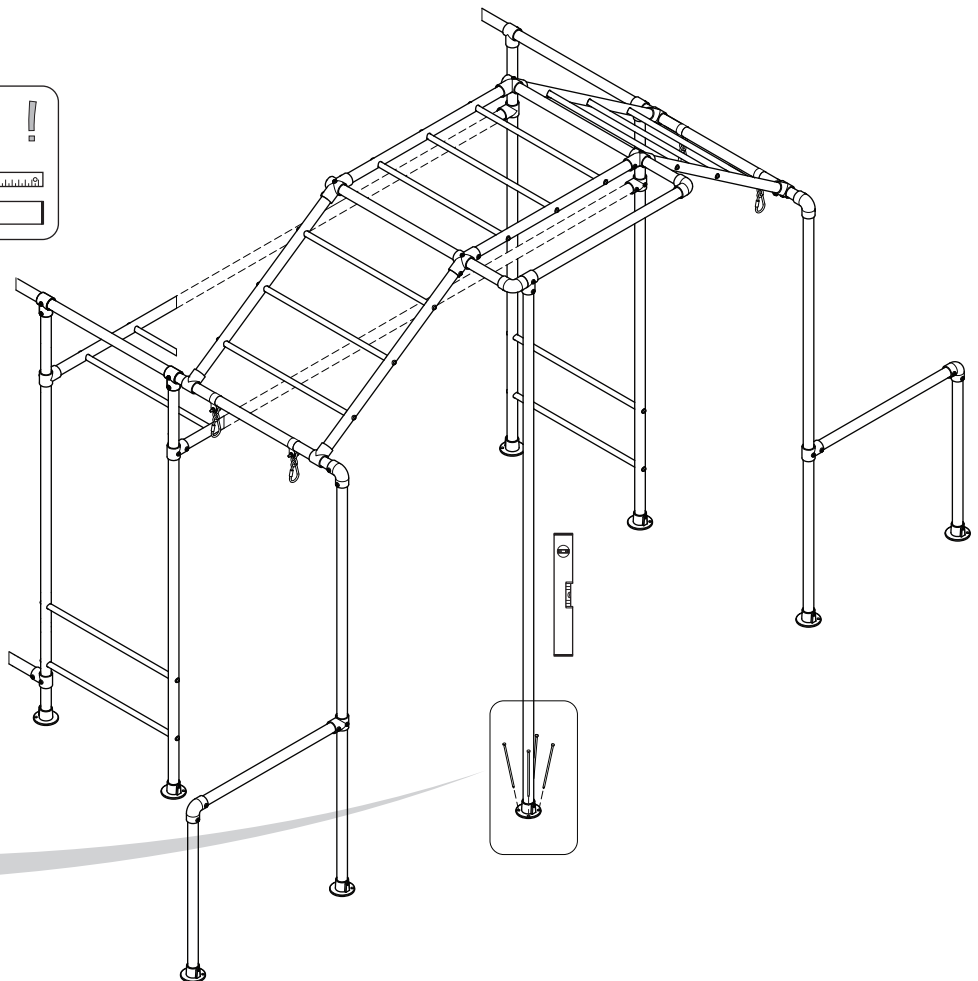
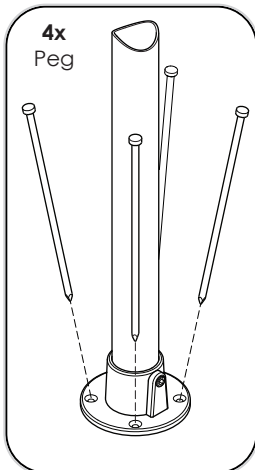
3. Fully Tighten all grub screws once in position & fully inserted.



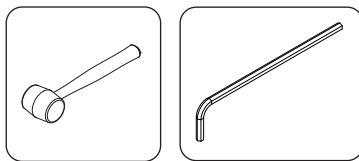
## 22 SECURE TO GROUND



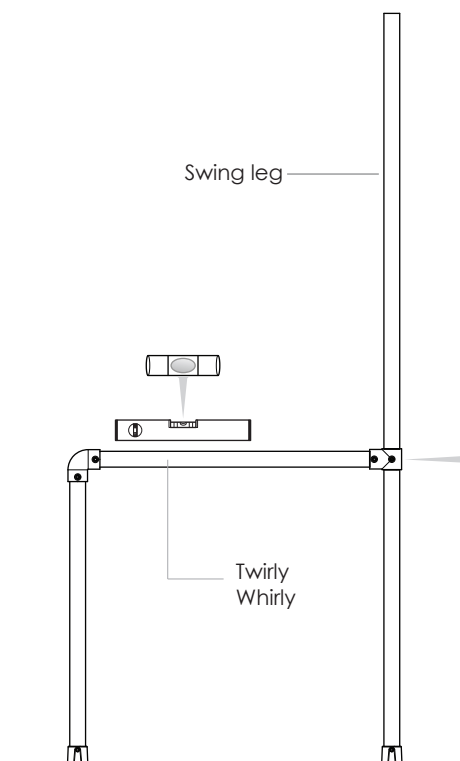
1. Check level and square.
2. Hammer in base plate pegs x4.



## 23 LOAD YOUR TWIRLY WHIRLY BARS x2

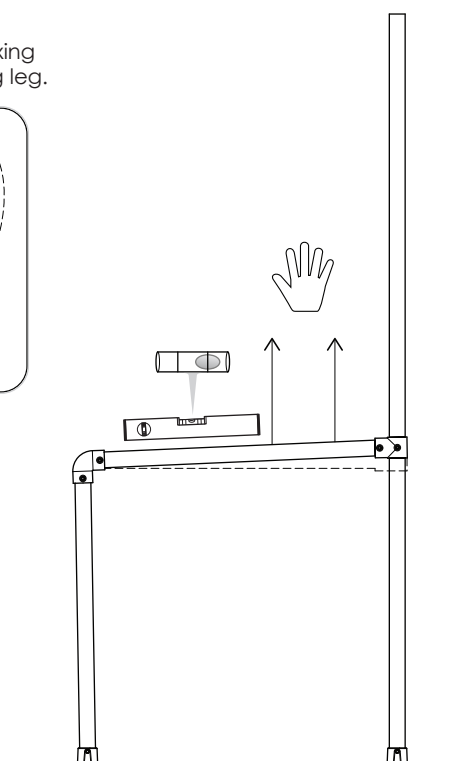
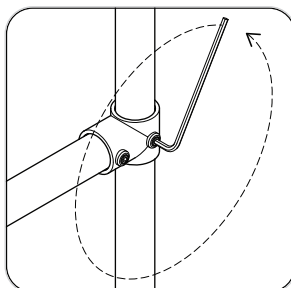


To reduce movement in your frame load your twirly whirly bars as follows.

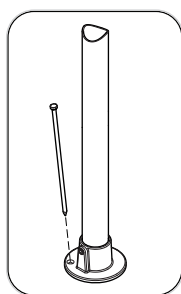


1. Ensure twirly whirly is level and square & swing leg is pegged down.

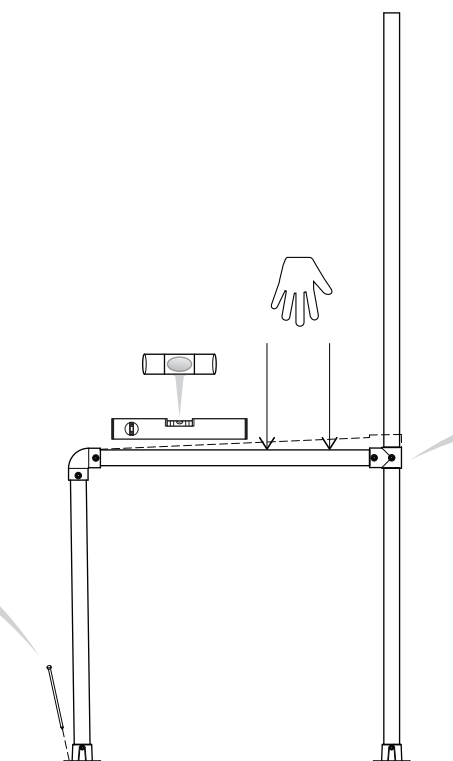
2. Loosen the grub screw fixing the short tee to the swing leg.



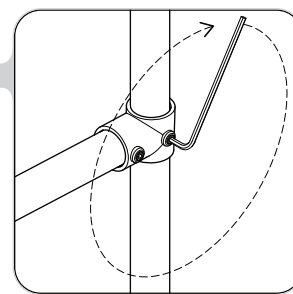
3. Pull upwards on the twirly whirly bar to make a slight angle. (Half a bubble off center on the level)



4. Peg down base plates on twirly whirly.



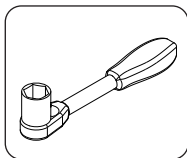
5. Push down on the twirly whirly bar until horizontal bar is level.



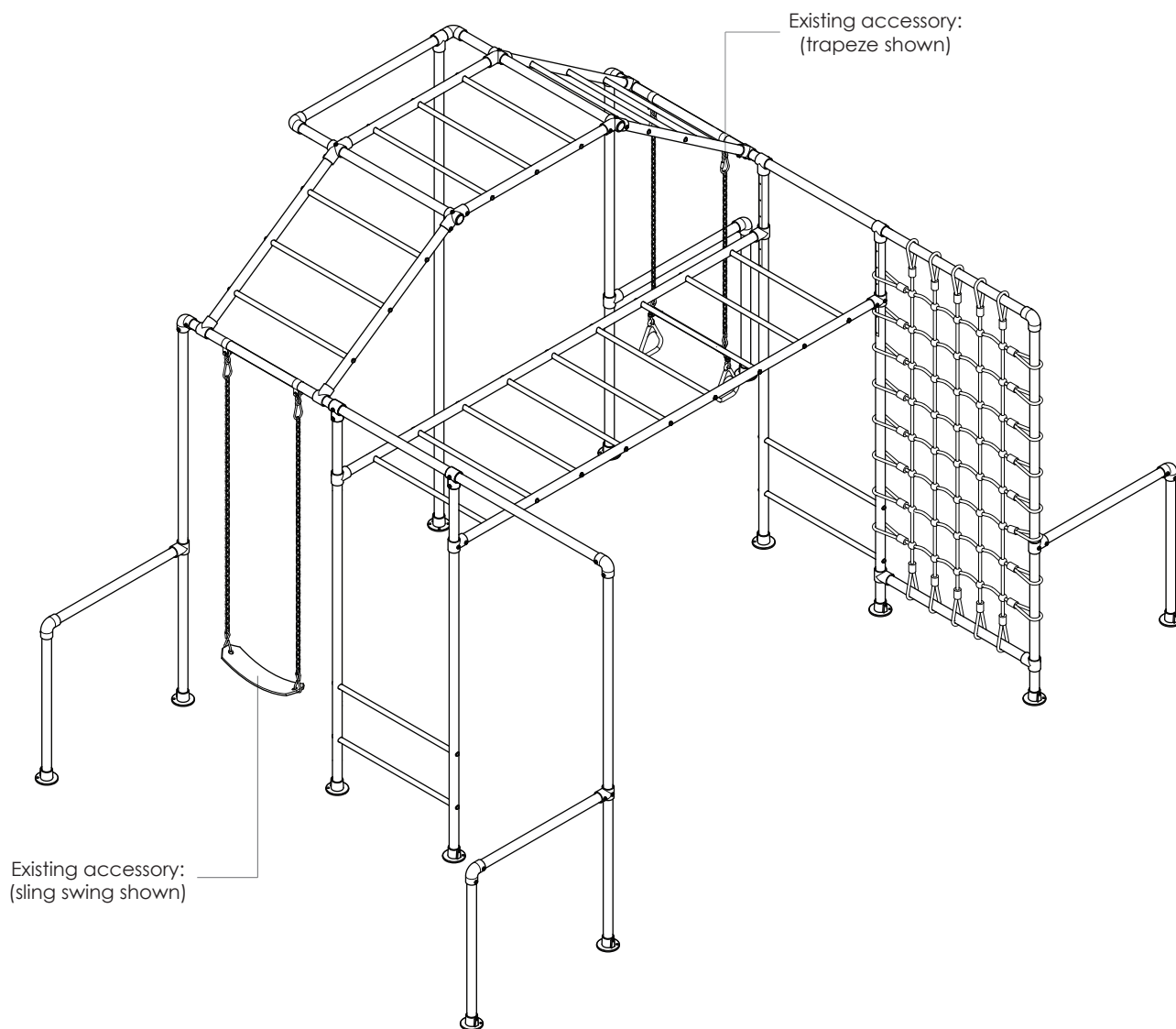
6. Tighten grub screw fixing the short tee to the swing leg tube.

REFER TO VIDEO SECTION OF WEBSITE [HTTP://WWW.FUNKYMONKEYBARS.COM/PAGES/VIDEOS](http://www.funkymonkeybars.com/pages/videos)

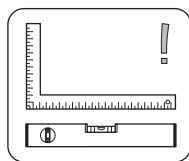
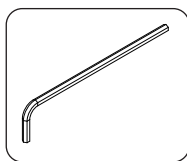
## 24 ATTACH ACCESSORIES (IF APPLICABLE)



Attach accessories in desired position and tighten swing hook bolts with ratchet.



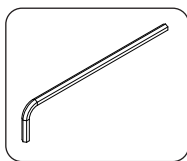
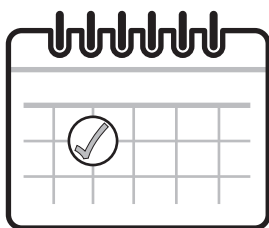
## 25 FINAL CHECKS



1. Ensure frame is square and level.
2. Firmly tighten all grub screws.
3. All base plates are pegged down.



## 26 MAINTENANCE.



At the beginning of each heavy play session (especially a party) and twice a month during play season ensure;

1. Tighten all hardware - grub screws, nuts and bolts.
2. Pegs are in place and fully secure.
3. Lubricate all metallic moving parts using WD40 or vasaline - (trolley and swing hooks.)
4. Ensure your frame is level and square.

**FAILURE TO DO SO COULD RESULT IN SERIOUS INJURY OR DEATH.**

**FOR MORE INFORMATION AND ASSEMBLY TIPS  
PLEASE REFER TO OUR WEBSITE VIDEO INSTRUCTION SECTION AT  
[HTTP://WWW.FUNKYMONKEYBARS.COM/PAGES/VIDEOS](http://www.funkymonkeybars.com/pages/videos)**

## 27 HAVE FUN





ABN 72 164 496 520  
 1300 912 198  
 info@funkymonkeybars.com  
 www.funkymonkeybars.com  
 9 Cutting Way,  
Yangebup WA 6164



WE ARE SOCIAL MONKEYS



Australian Government  
IP Australia

All Funky Monkey Bars® designs are registered and protected under IP Australian certification.