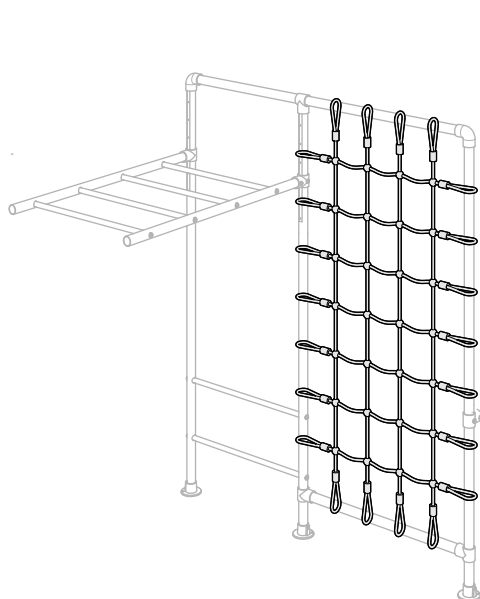
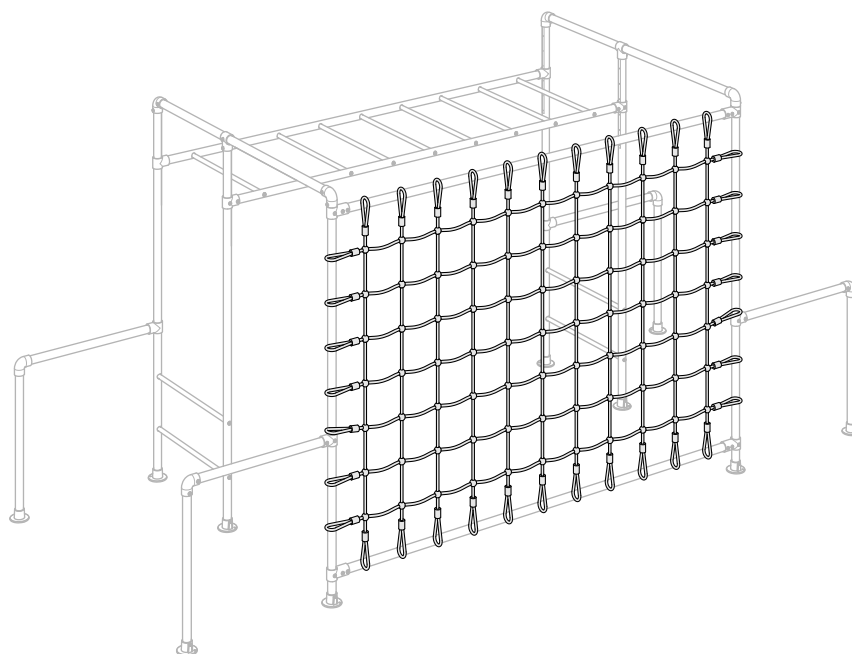


FUNKY Monkey bars®



CARGO NET



3M CARGO WALL

CARGO NET/WALL (ADD ON) ASSEMBLY INSTRUCTIONS

PART 1. HOW TO ADD A CARGO NET TO AN EXISTING FRAME.

PART 2. HOW TO ADD A CARGO NET FROM THE START.

PART 3. HOW TO ADD A 3M CARGO WALL.

CONTENTS

Warnings	Page 1
Assembly Tips	Page 3
Inventory and Tools	Page 4
Assembly Instructions	Page 5
Part 1 - Adding a Cargo Net to an existing frame	Page 5
Part 2 - Adding a Cargo Net from the start	Page 11
Part 3 - Adding a 3m Cargo Wall to an existing frame	Page 18
Maintenance	Page 24

WARNING

PLEASE CAREFULLY READ ALL INFORMATION CONTAINED IN THIS ASSEMBLY MANUAL BEFORE YOU INSTALL AND USE YOUR FUNKY MONKEY BARS®.

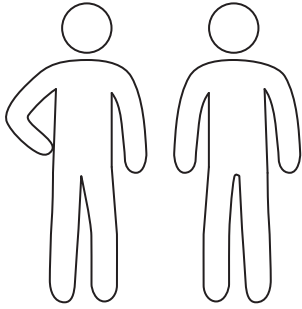
SAFETY NOTICE

1. Any person handling or using the Funky Monkey Bars® products must follow the instructions as described in this document. The person in charge of assembling and using the equipment must ensure that the recommendations for use given in this document are seen by all users.
2. Only use the Funky Monkey Bars® after they have been fully assembled and after checking that the fittings are tightened properly (*refer to page 3 - Correct Tightening Method*).
3. DO NOT install your Funky Monkey Bars® over concrete, asphalt, packed earth, wood decking or any other hard surface. A fall onto a hard surface can result in serious injury or death.
4. Inspect all grub screws, bolts and nuts at the beginning of each play session to ensure your Funky Monkey Bars® are tight and secure.
5. Ensure all tubes are fully inserted into fittings until you hear the magic "CLUNK" sound.
6. Ensure your Funky Monkey Bars® are properly secure at ALL times. Pegs are in place and inserted fully into the ground.
7. DO NOT exceed the maximum load/weight limit as recommended by Funky Monkey Bars®.
8. Children should be supervised by an adult at all times.
9. Installing a gym/crash mat under the fall zone area of your Funky Monkey Bars® would be recommended for children learning this new skill. This will reduce the chance of injury and build the child's confidence while they build strength and master the skill.
10. Ensure you have thoroughly read your assembly and installation instructions and viewed our on-line installation videos at <https://www.funkymonkeybars.com/blogs/installation-maintenance-videos>
11. DO NOT climb, sit or stand on top of the monkey bar (horizontal ladder) section.
12. DO NOT jump from the top of any section of the monkey bar.
13. DO NOT use your Funky Monkey Bars® when wet as the steel will be slippery.
14. DO NOT attach items to your frame that are not designed specifically to be used with Funky Monkey Bars®, especially lower quality products that have not been approved by Funky Monkey Bars®.
15. Ensure the height of your Funky Monkey Bars® (horizontal ladder) are set at a level that is age appropriate.
16. DO NOT install your Funky Monkey Bars® over or near objects that could interfere with users in an unsafe way. Maintain a clear area around your Funky Monkey Bars®.
17. DO NOT use your Funky Monkey Bars® while under the influence of drugs and alcohol.
18. Wear clothing free of drawstrings, hooks, loops or anything that could get caught while using your Funky Monkey Bars® and result in entanglement and/or strangulation.

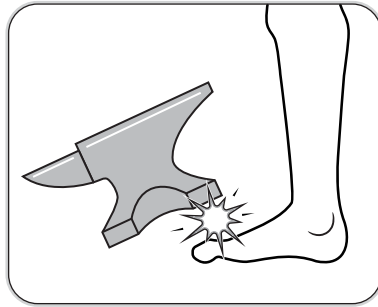
ASSEMBLY

1. Keep small children away from the Funky Monkey Bars® during assembly.
2. Do not attempt to use the Funky Monkey Bars® until it is completely assembled and every fitting is tight and secured.
3. Installation typically takes 1-2 hours to complete. Two people are recommended for assembly.
4. Ensure all fittings are tightened to the correct tightening method as described on page 3.
5. Assembly should be carried out on clean, dry, level surface

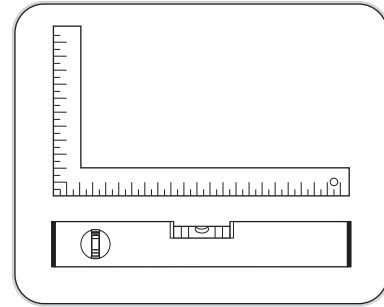
Please refer to the video section on the Funky Monkey Bars® website for more handy tips and assembly instructions at <http://www.funkymonkeybars.com/pages/videos>



Assembly requires 2 adults.



Heavy items !



Work on flat level surface.

LOCATION

1. A safe fall zone around your Funky Monkey Bars® is essential. A minimum distance of 1.5m to 2m (5 ft to 6.5ft) is recommended around the elevated hanging points of your Funky Monkey Bars®.
2. Place your Funky Monkey Bars® on level ground, away from any structure or obstruction such as a fence, garage, house, overhanging branches, laundry lines or electrical wires and remove any obstructions beneath your Funky Monkey Bars®.
3. Ensure your Funky Monkey Bars® are positioned away from retaining walls, pool fences, structures and other play equipment. Maintain a clear space around the whole perimeter of your Funky Monkey Bars®.
4. Place your Funky Monkey Bars® on the most level surface available.

MAINTENANCE

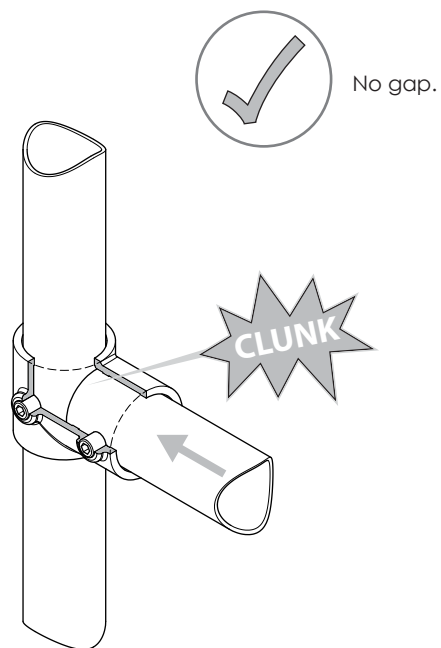
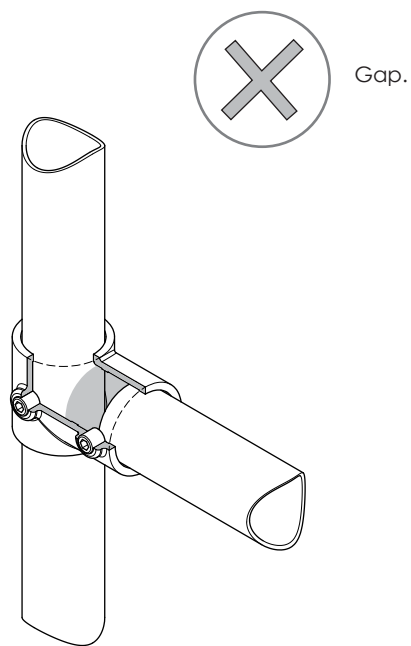
1. At the beginning of each heavy play session we recommend the following maintenance processes be performed on your Funky Monkey Bars®:
 - Tighten all bolts, grub screws and applicable hardware (as per page 3)
 - Lubricate all metallic moving parts as per instructions (flying fox, swing hooks etc)
 - Check all protective coverings on bolts, pipes, edges and corners. Replace if they are loose, cracked or missing.
 - Check all moving parts including swing seats, shackles, snap hooks, chains and trolleys for wear, rust, or other deterioration. Replace as needed.
2. Twice a month during play season we would recommend the following maintenance processes be performed on your Funky Monkey Bars®:
 - Tighten all connections and hardware
 - Check all protective coverings on bolts, pipes, edges and corners. Replace if they are loose, cracked or missing.
3. Once a month during play season we would recommend the following maintenance processes be performed on your Funky Monkey Bars®:
 - Lubricate all metallic moving parts as per instructions (flying fox, swing hooks etc). If swings start to squeak then lubricate swing hooks.
 - Check all moving parts including swing seats, ropes, chains and trolleys for wear, rust, or other deterioration. Replace as needed.
 - Owners shall be responsible for maintaining the legibility of any warning labels.

For additional information concerning your Funky Monkey Bars®, please contact our customer service team or check our website for any important updates. Phone - 1300 912 198 or www.funkymonkeybars.com

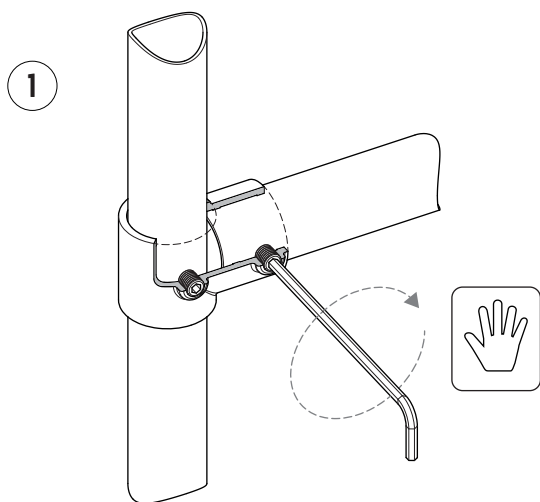
ASSEMBLY TIPS

CORRECT INSERTION INTO FITTINGS - (INDICATIVE DIAGRAM SHOWN)

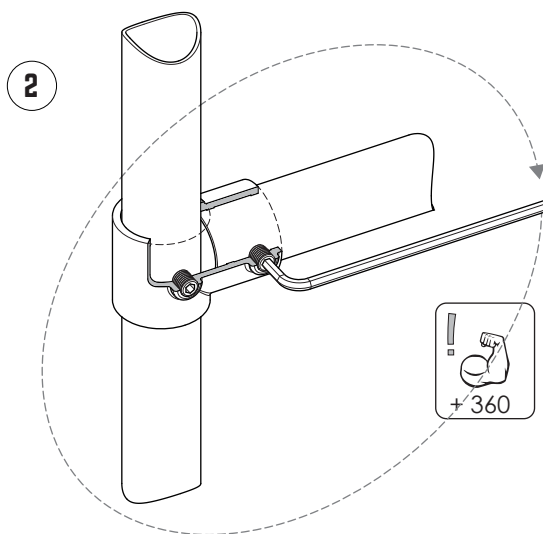
All tubes must be fully inserted until contact is made with adjoining tube.



CORRECT TIGHTENING METHOD OF GRUB SCREWS - (INDICATIVE DIAGRAM SHOWN)



1. With long end of allen key, hand tighten grub screw as much as possible.

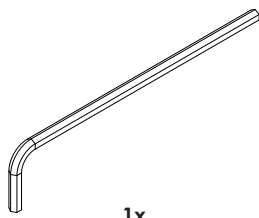


2. Using other end of the allen key do one full 360 degree turn as a minimum, use muscles!

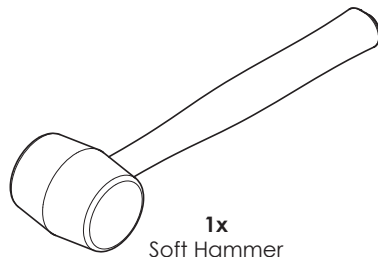


TOOLS & INVENTORY

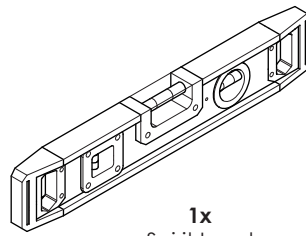
TOOLS REQUIRED FOR INSTALLATION



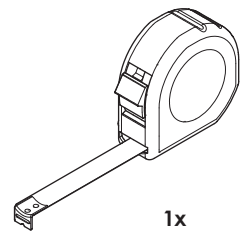
1x
8mm Allen key
(Included)



1x
Soft Hammer
(Not included)



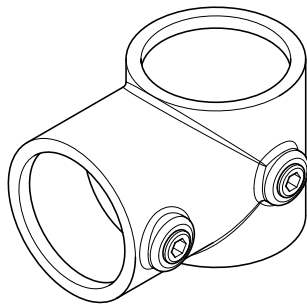
1x
Spirit Level
(Not included)



1x
Tape Measure
(Not included)

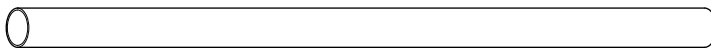
**THE INVENTORY AND ASSEMBLY METHOD WILL VARY ACCORDING TO THE PURCHASED CARGO NET OR WALL ADD-ON
PART 1 & 2 - YOUR SUPPLIED PACK WILL BE THE CARGO NET. PART 3 - YOUR SUPPLIED PACK WILL BE THE CARGO WALL.**

INVENTORY - CARGO NET (PART 1 & 2) Not to scale

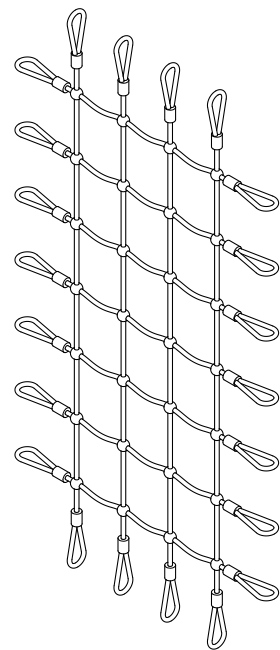


2x
Short Tee
D-101

1x
Cargo Tube
50Dia. x 1040mm

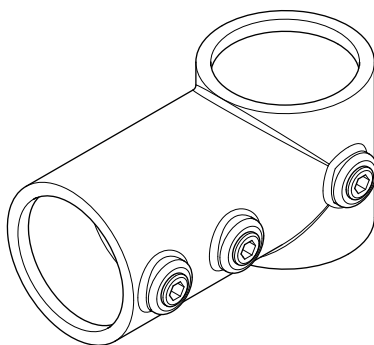


1x
Cargo Net
(1220mm X 2120mm)



OR

INVENTORY - 3M CARGO WALL (PART 3) Not to scale

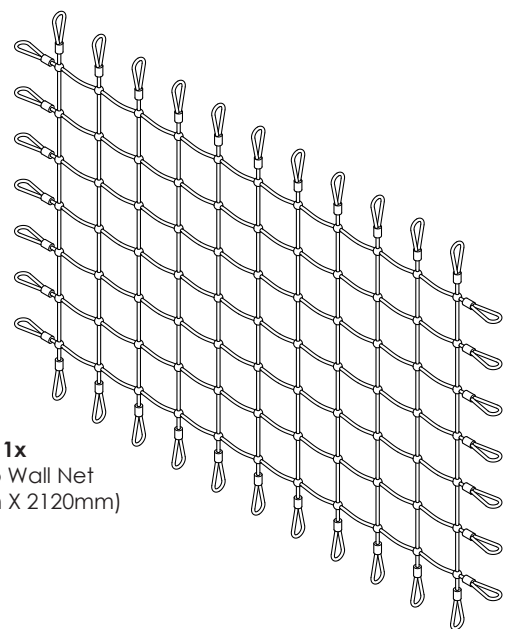


4x
Long Short Tee
D-101L

2x
Accessories Tube
50Dia. x 2950mm

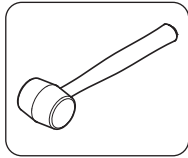


1x
Cargo Wall Net
(3000mm X 2120mm)

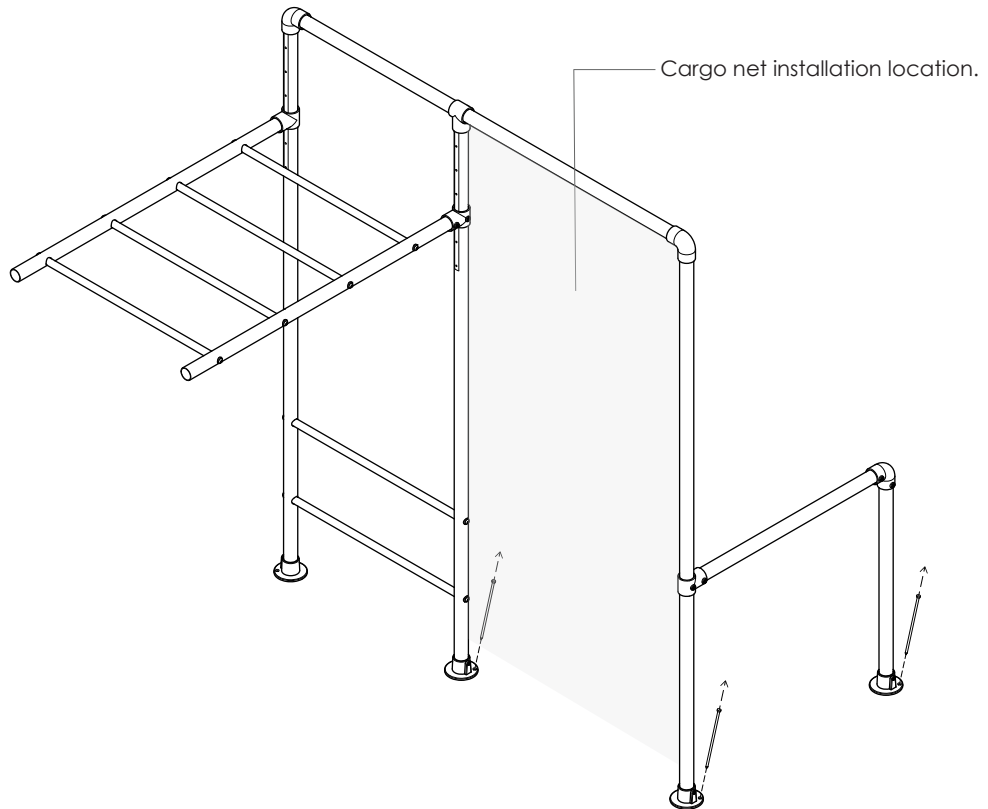


HOW TO ADD A CARGO NET TO AN EXISTING FRAME.

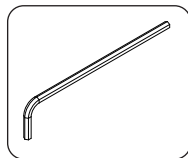
1 CHOOSE CARGO NET INSTALL LOCATION & REMOVE PEGS (SINGLE SWING FRAME SHOWN)



Remove pegs from install location legs and any twirly whirlys attached to the install area.

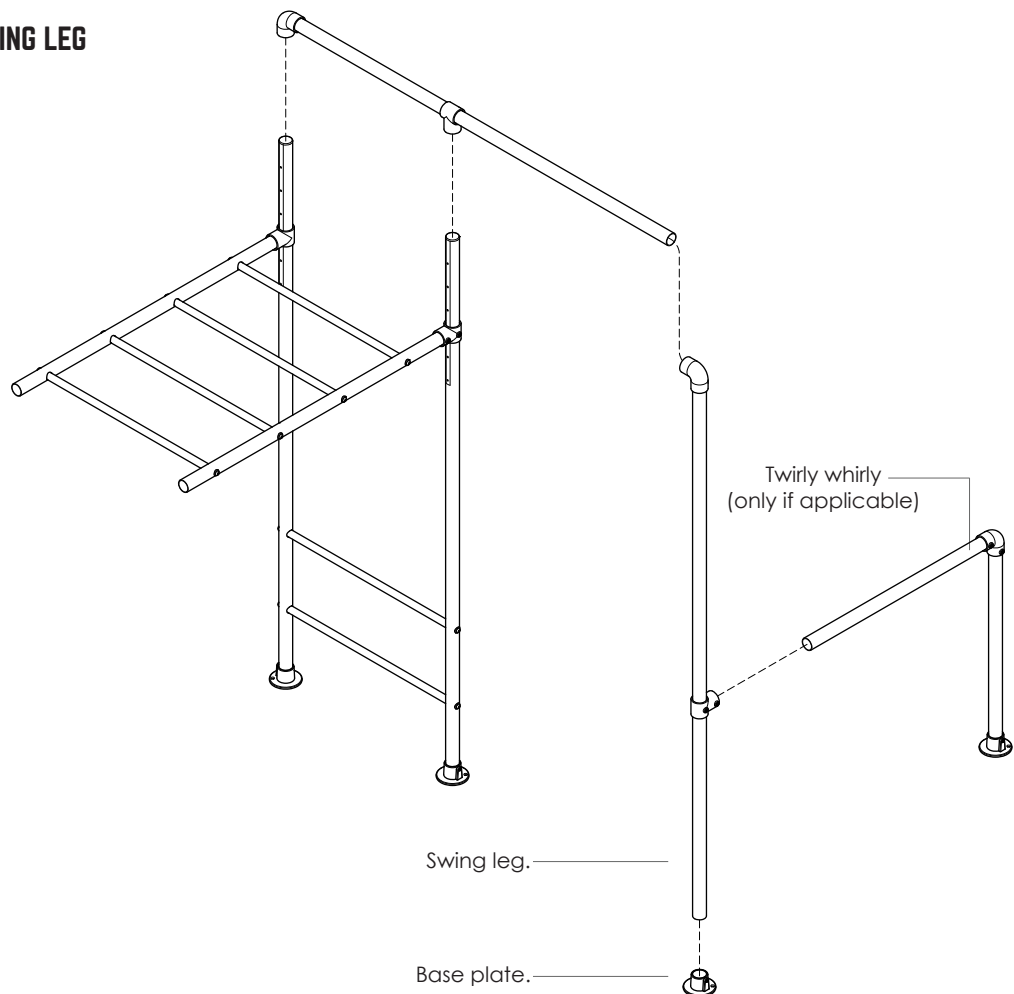


2 REMOVE SWING BAR & SWING LEG

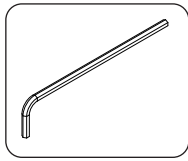


Loosen grub screws and remove swing bar. Leave elbow on swing leg and lay swing leg and twirly whirly down on ground.

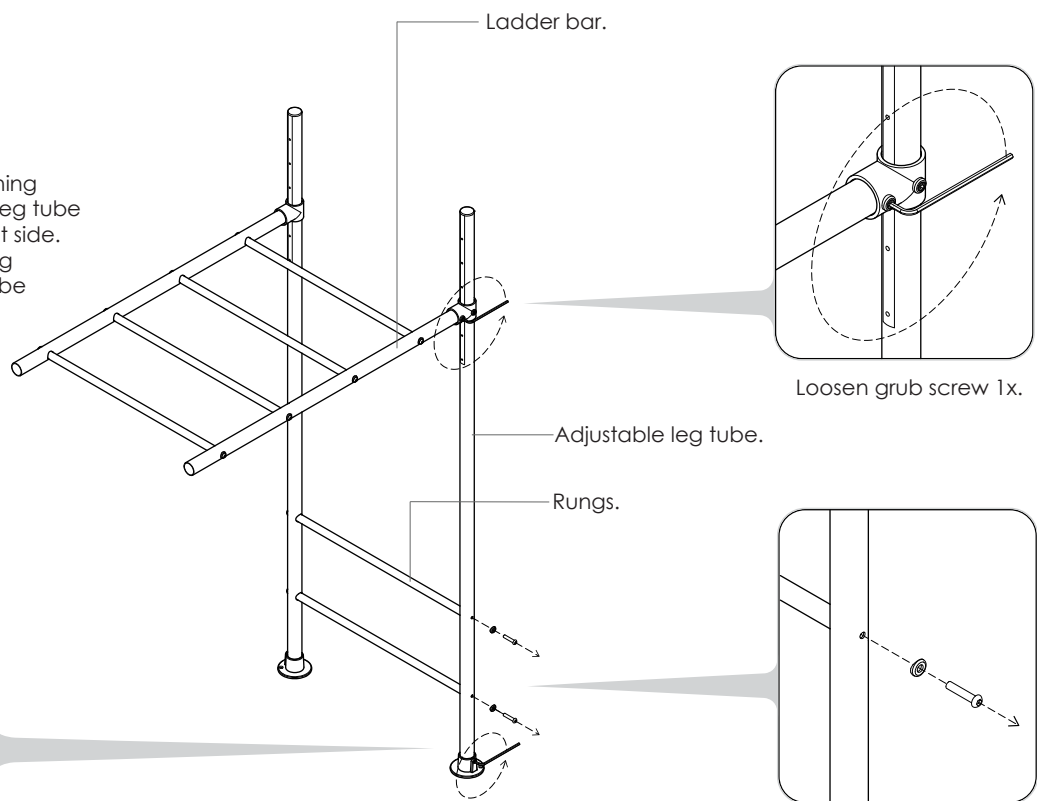
Remove base plate from swing leg.



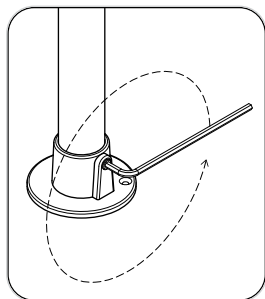
3 UNDO BOLTS ON ADJUSTABLE LEG X2



Loosen grub screw attaching ladder bar to adjustable leg tube on the selected cargo net side. Remove 2x bolts attaching rungs to adjustable leg tube on the selected side. Undo grub screw on base plate.



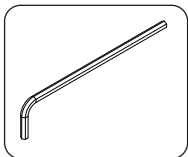
Loosen grub screw 1x.



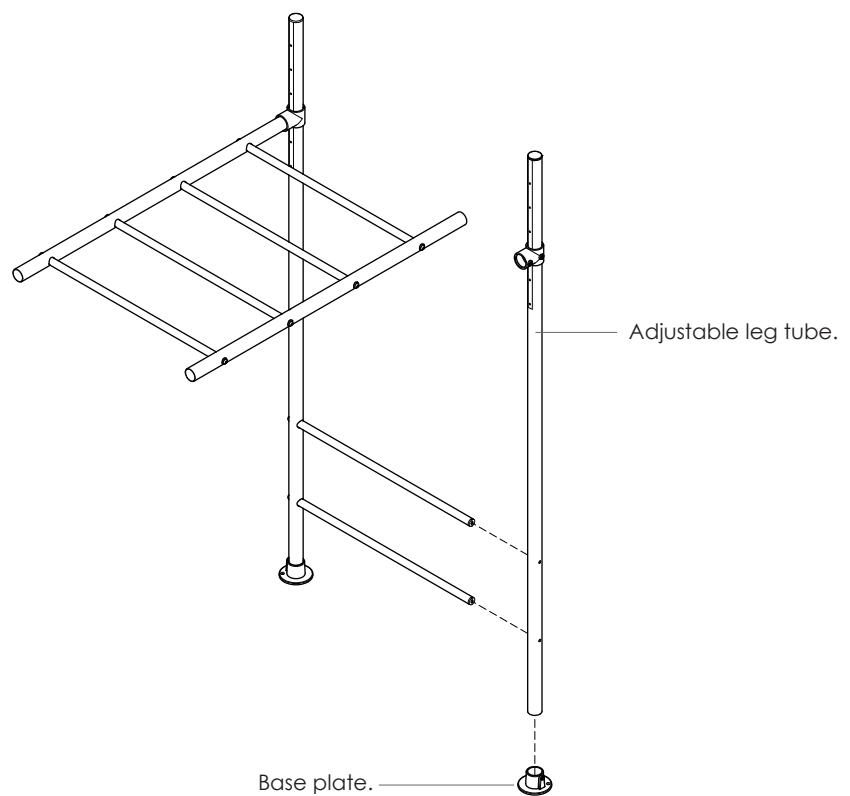
Undo base plate grub screw.

Remove bolt and washer 2x.

4 REMOVE ADJUSTABLE LEG



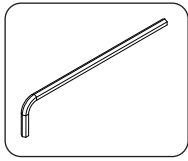
Remove adjustable leg tube from rungs and remove base plate from leg.



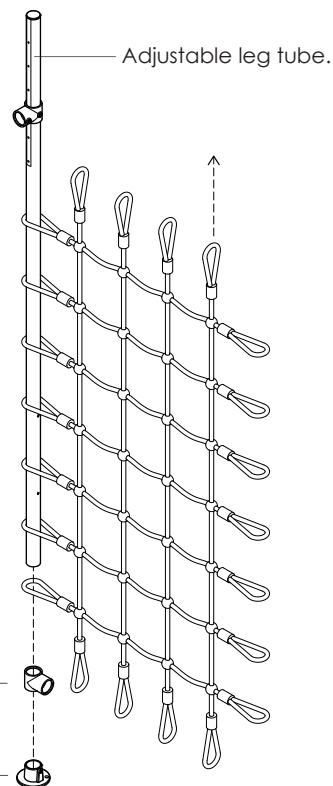
Adjustable leg tube.

Base plate.

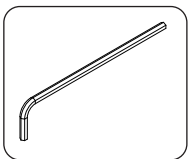
5 SLIDE CARGO NET ONTO ADJUSTABLE LEG TUBE



Thread the adjustable leg tube down one side of the cargo net. Ensure the bottom hoop is sitting between the two rung holes on the leg. Insert short tee and replace base plate to leg.

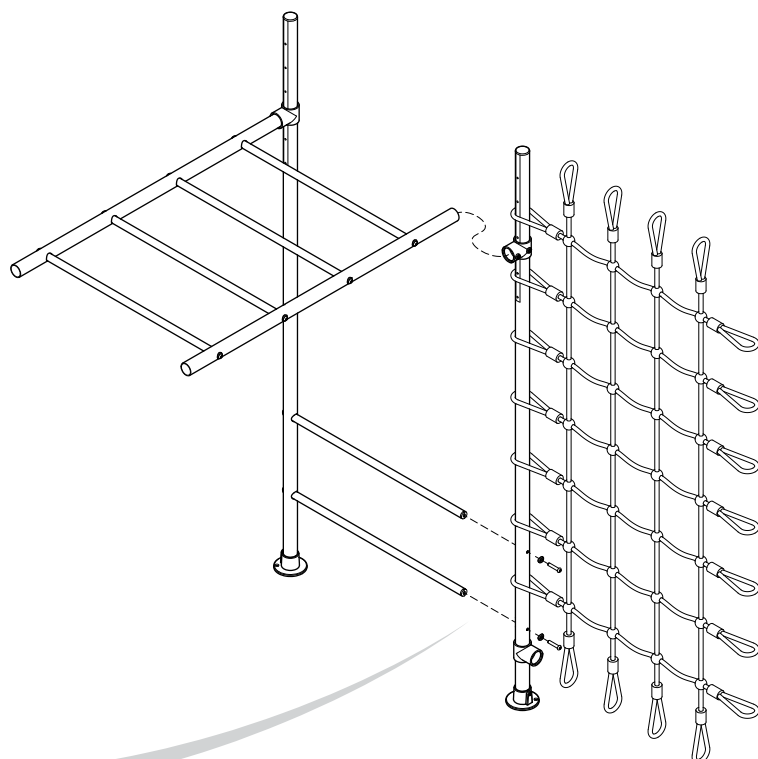
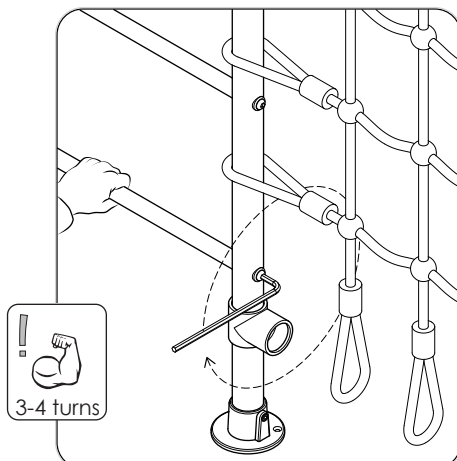


6 REATTACH ADJUSTABLE LEG WITH CARGO NET



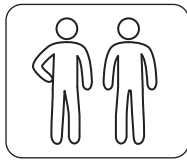
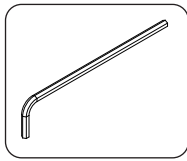
Replace the adj. leg tube and cargo net assembly and retighten the short tee grub screws and 2 rung bolts.

Ensure that the bottom cargo hoop is between the rungs before fully tightening rung bolts.

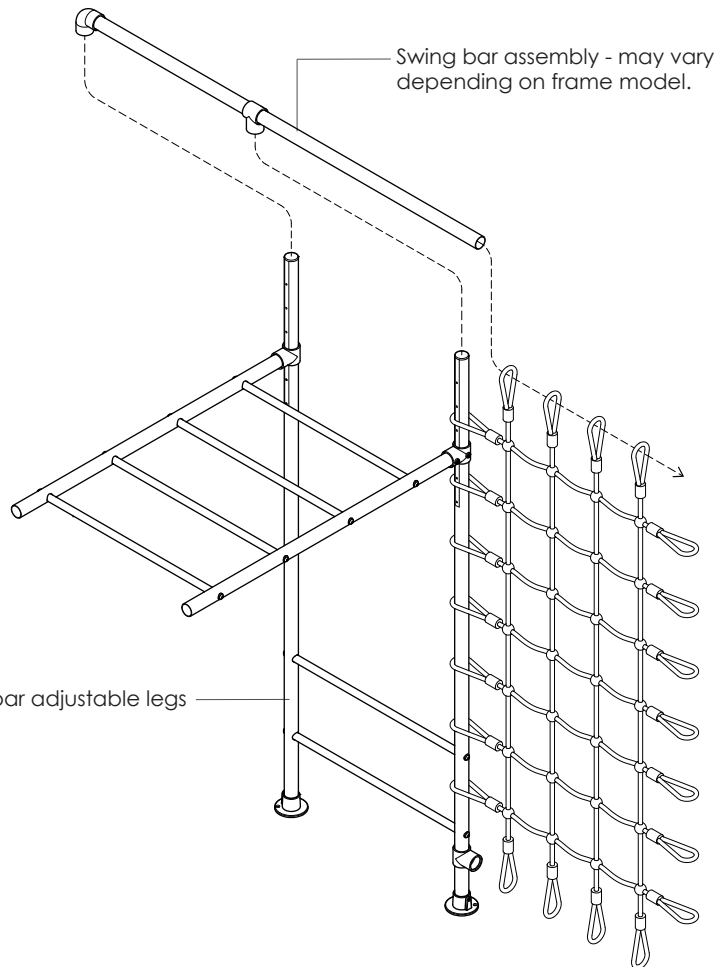


7

RE-ATTACH SWING BAR ASSEMBLY.

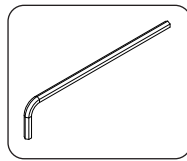


Attach the short tees and the elbows on the swing bars to the main monkey bar adjustable legs. The cargo net side will need to be threaded through the top cargo net hoops before attaching. Fully tighten all grub screws.



8

ATTACH SWING LEG

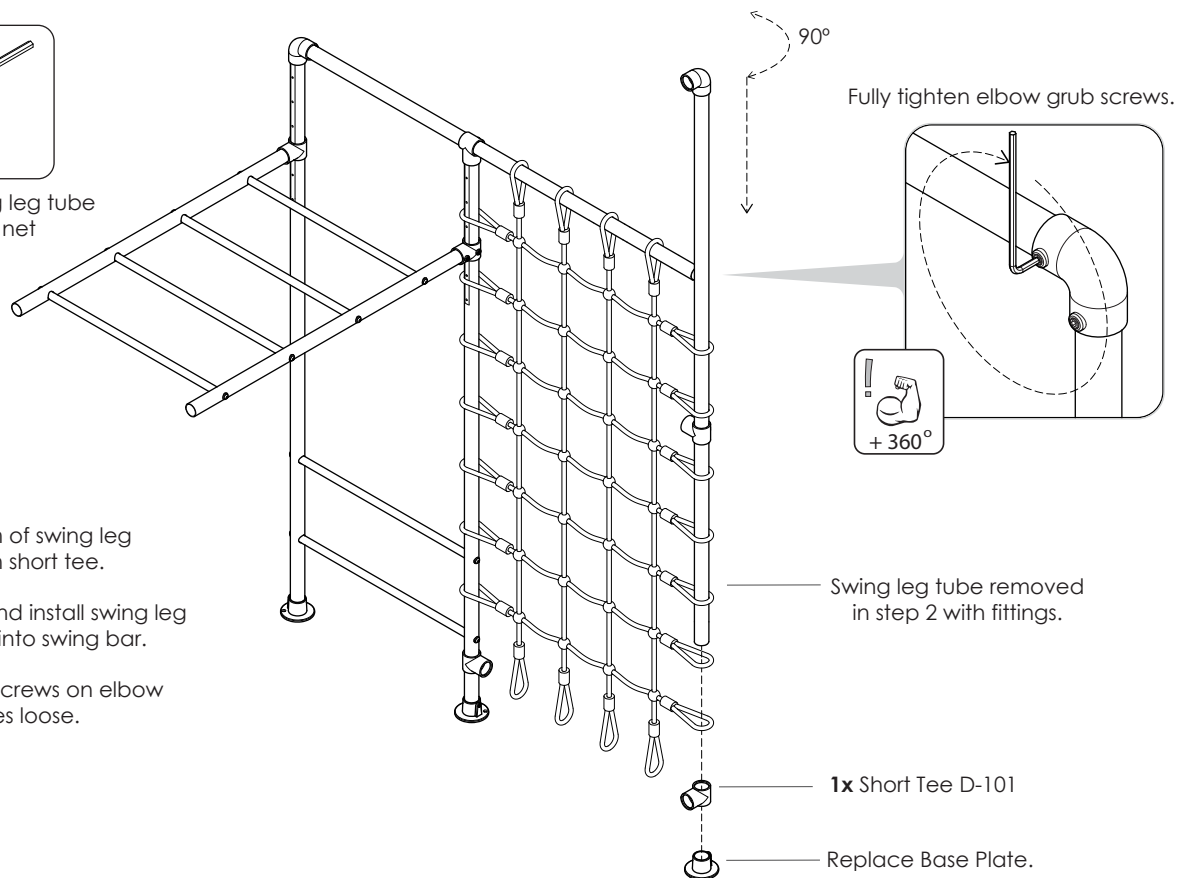


1. Thread swing leg tube down cargo net side hoops.

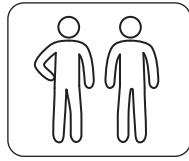
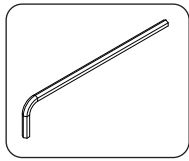
2. Feed bottom of swing leg tube through short tee.

3. Rotate 90° and install swing leg elbow back into swing bar.

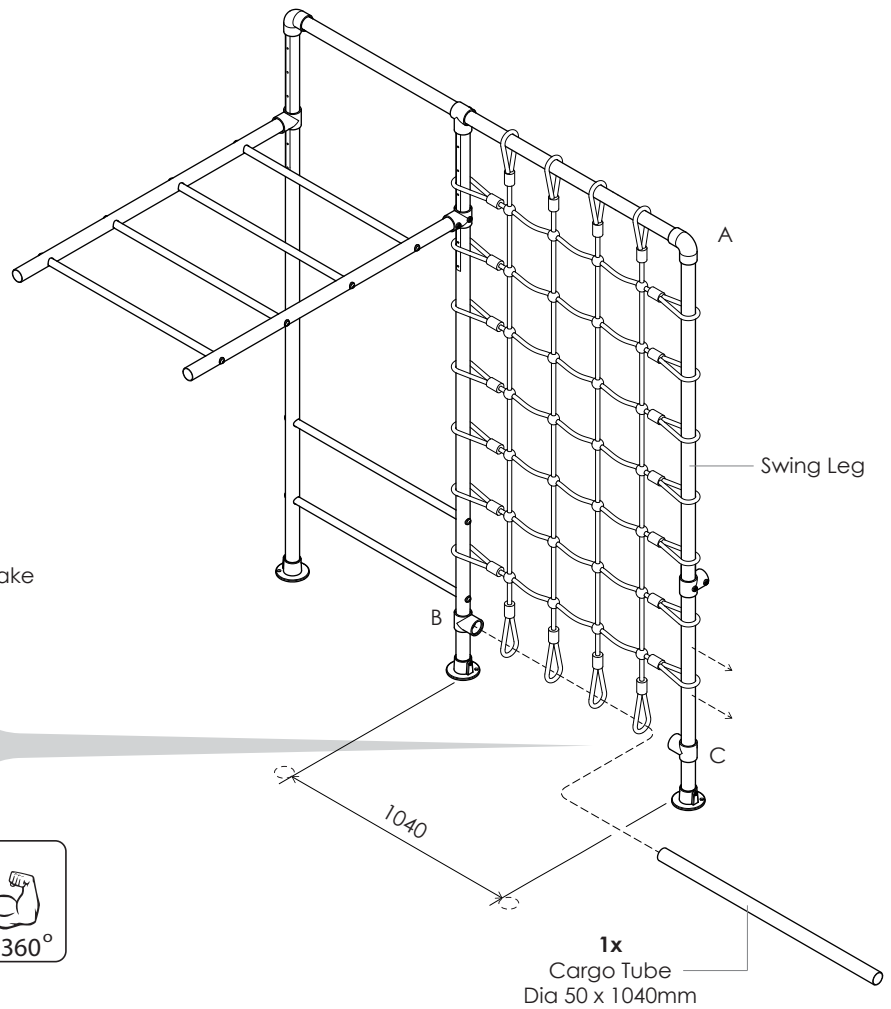
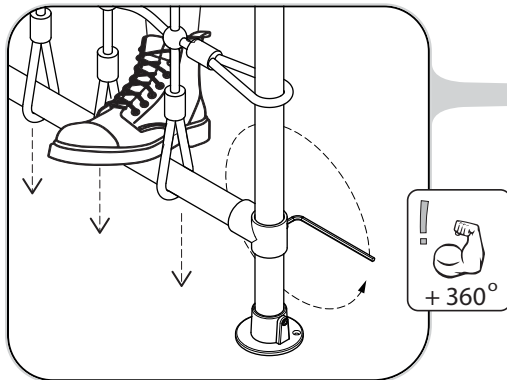
4. Leave grub screws on elbow and short tees loose.



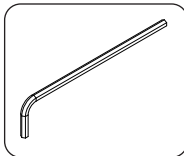
9 ATTACH CARGO TUBE



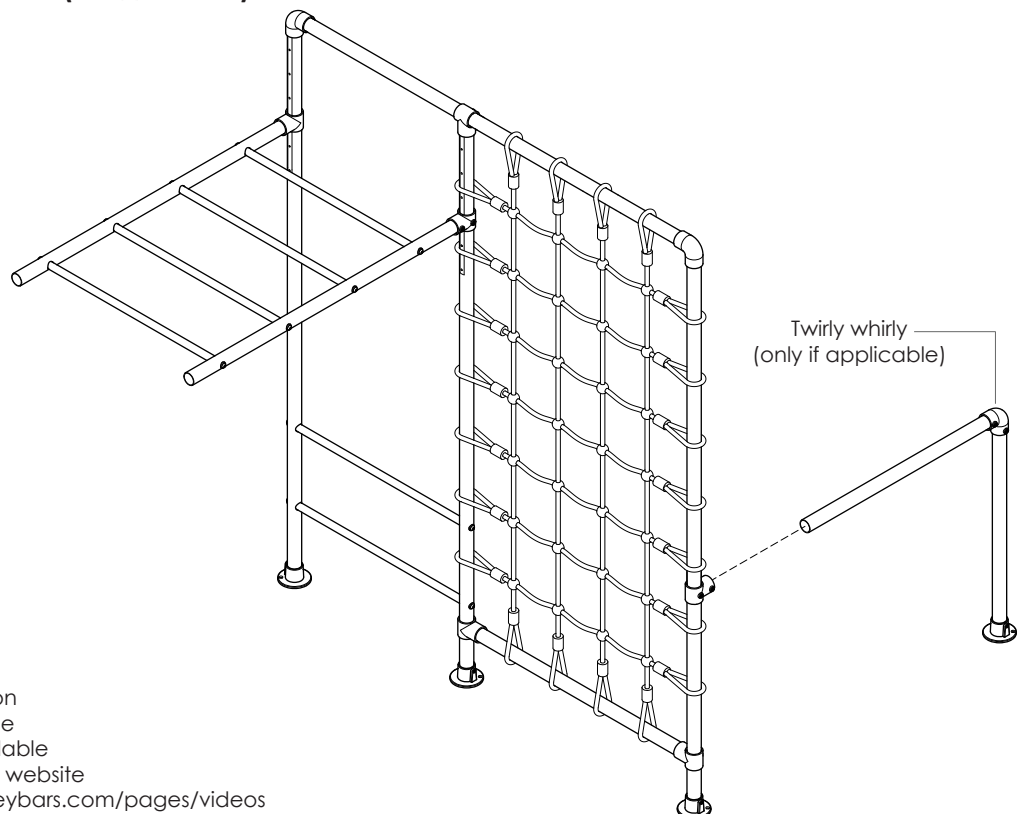
1. Ensure the swing leg and the monkey ladder legs are 1040mm apart.
2. Loosen grub screws on A,B & C.
3. Slide cargo bar through the bottom hoops and insert into short tee (B).
4. Pull swing leg outwards and slot other end of cargo bar into short tee (C).
5. Get second person to stand on tube to make cargo net taught and level, then fully tighten all grub screws.



10 RE-ATTACH TWIRLY WHIRLY (IF APPLICABLE)

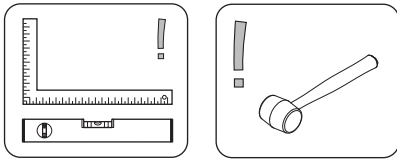


Insert twirly whirly into short tee on swing leg and firmly tighten grub screws.

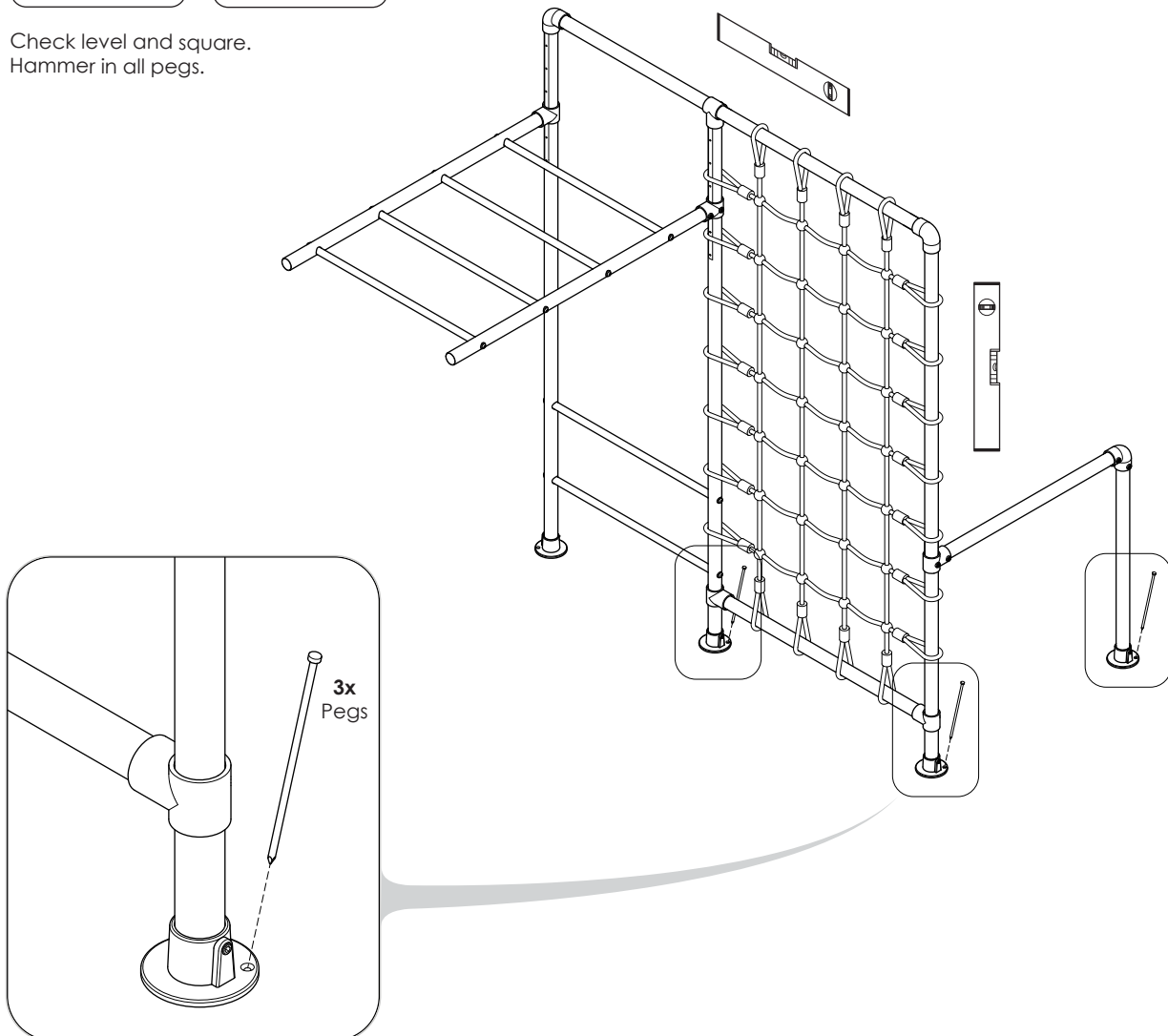


Load your twirly whirly bars as directed in the main assembly instruction manual supplied with the existing frame. If unavailable refer to video section of website <http://www.funkymonkeybars.com/pages/videos>

11 SECURE TO GROUND



1. Check level and square.
2. Hammer in all pegs.



12 CHECK ALL FITTING GRUB SCREWS AND RUNG BOLTS ARE FULLY TIGHTENED

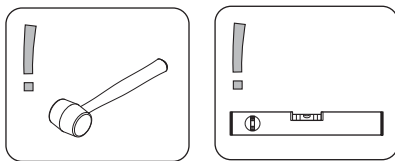


1. Ensure frame is square and level.
2. Firmly tighten all grub screws and bolts.

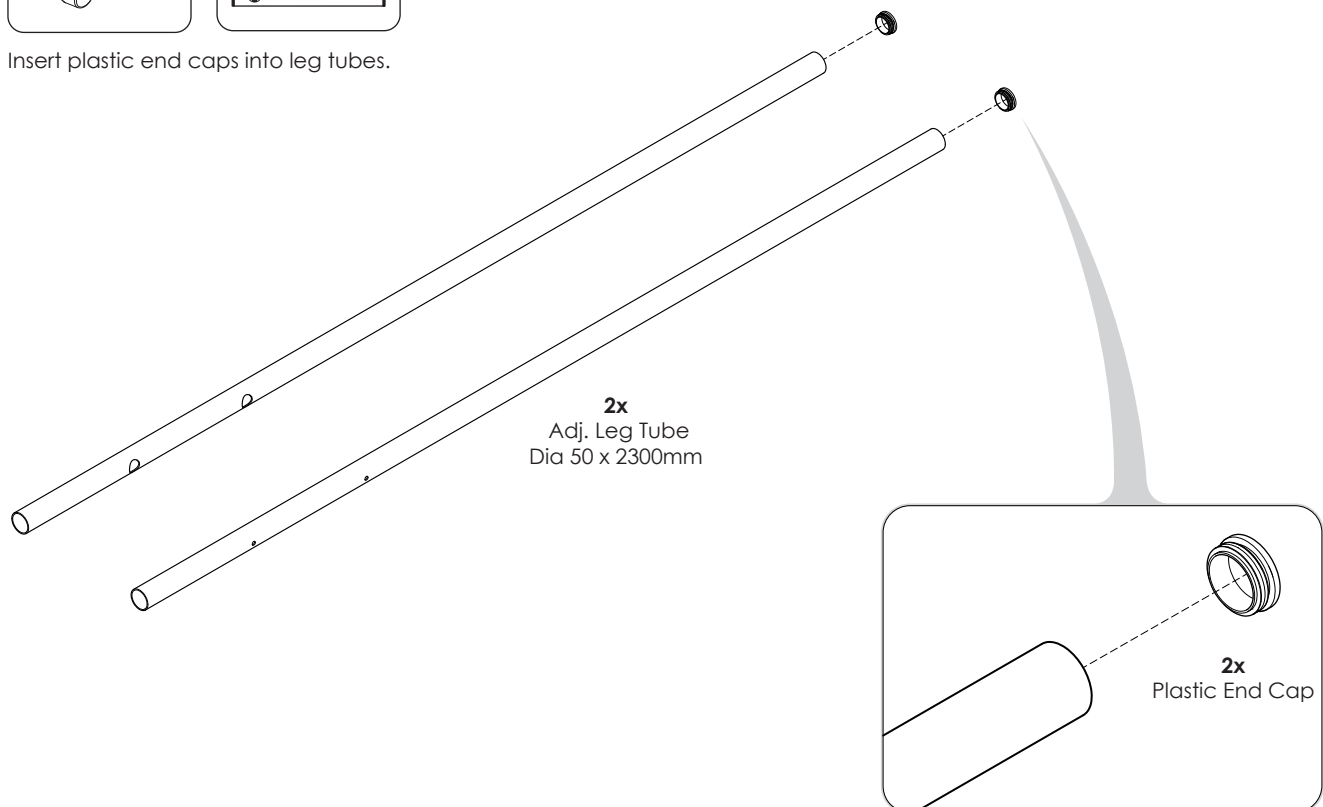
13 HAVE FUN

HOW TO ADD A CARGO NET FROM THE START.

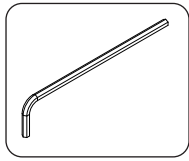
1 LEG ASSEMBLY



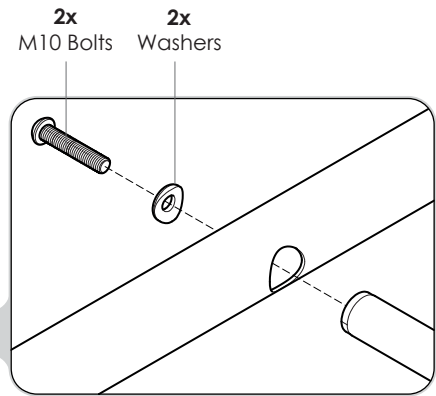
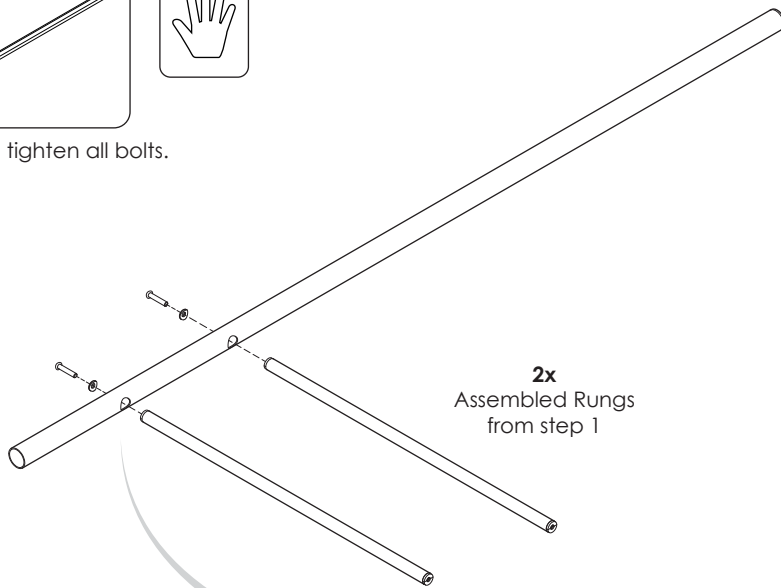
Insert plastic end caps into leg tubes.



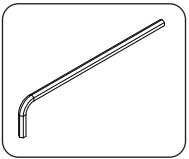
2 INSERT RUNGS



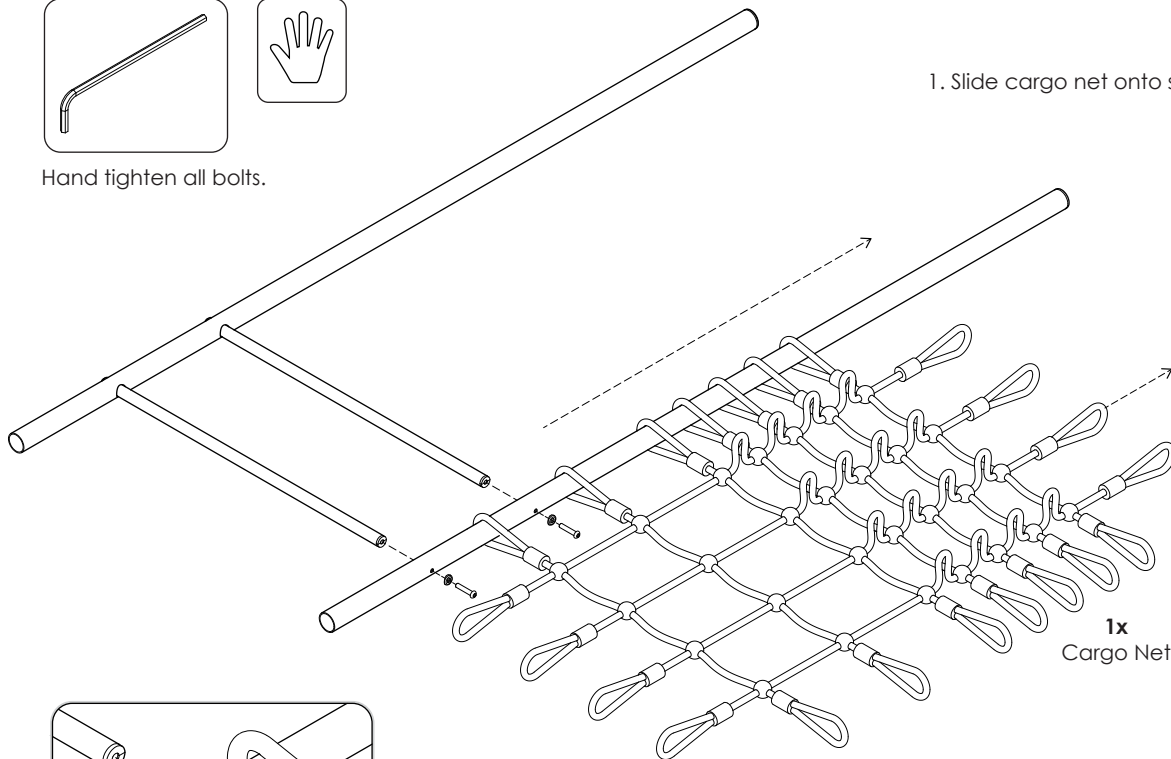
Hand tighten all bolts.



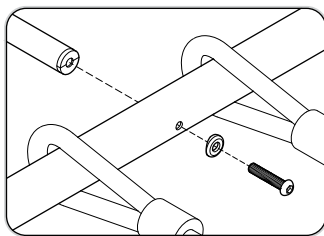
3 ATTACH SECOND LEG AND CARGO NET



Hand tighten all bolts.

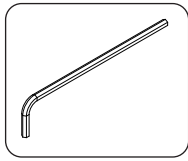


1. Slide cargo net onto second leg tube.

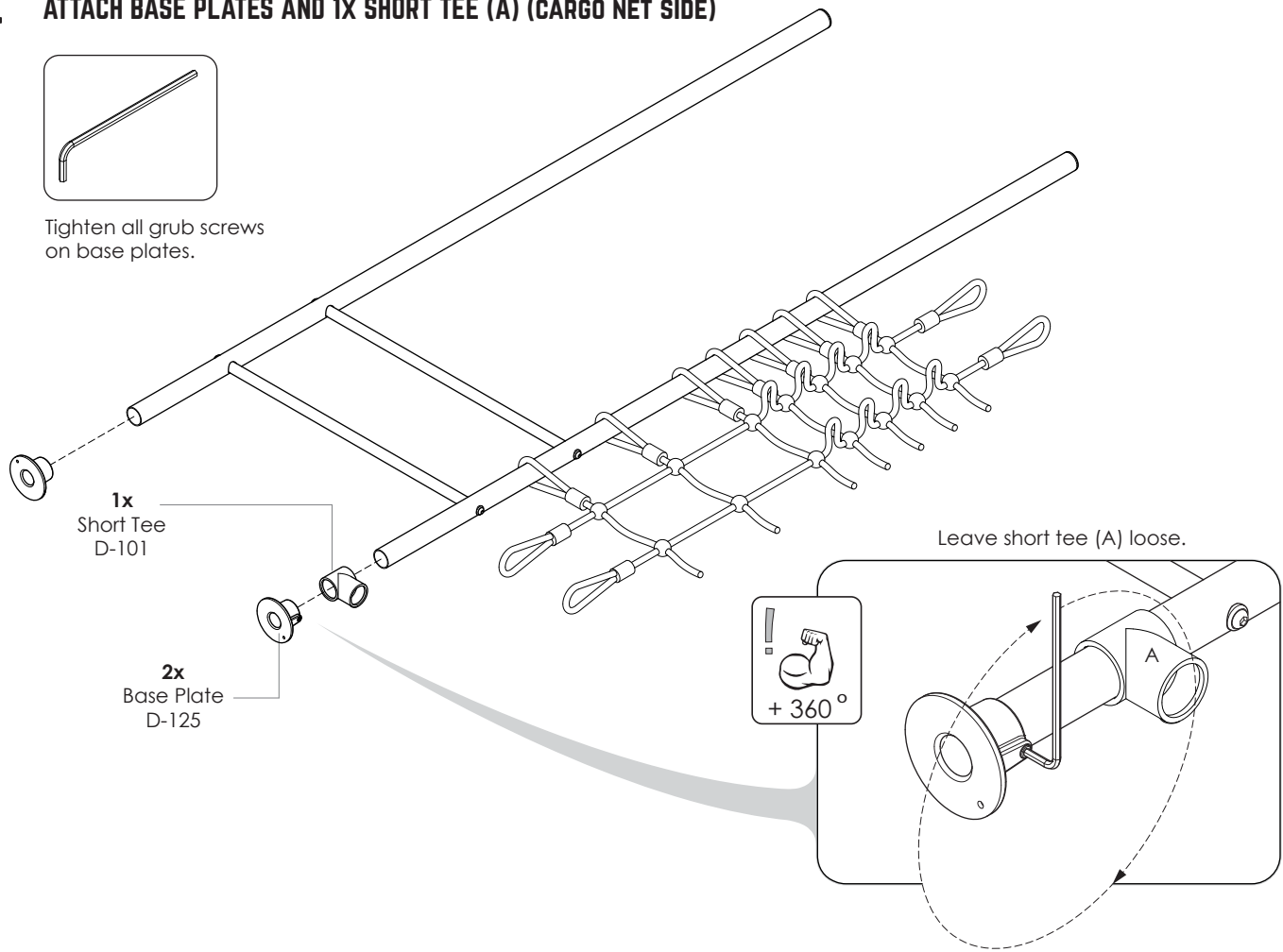


2. Ensure one hoop is positioned between the 2 rungs. Bolt adjustable leg to rungs.

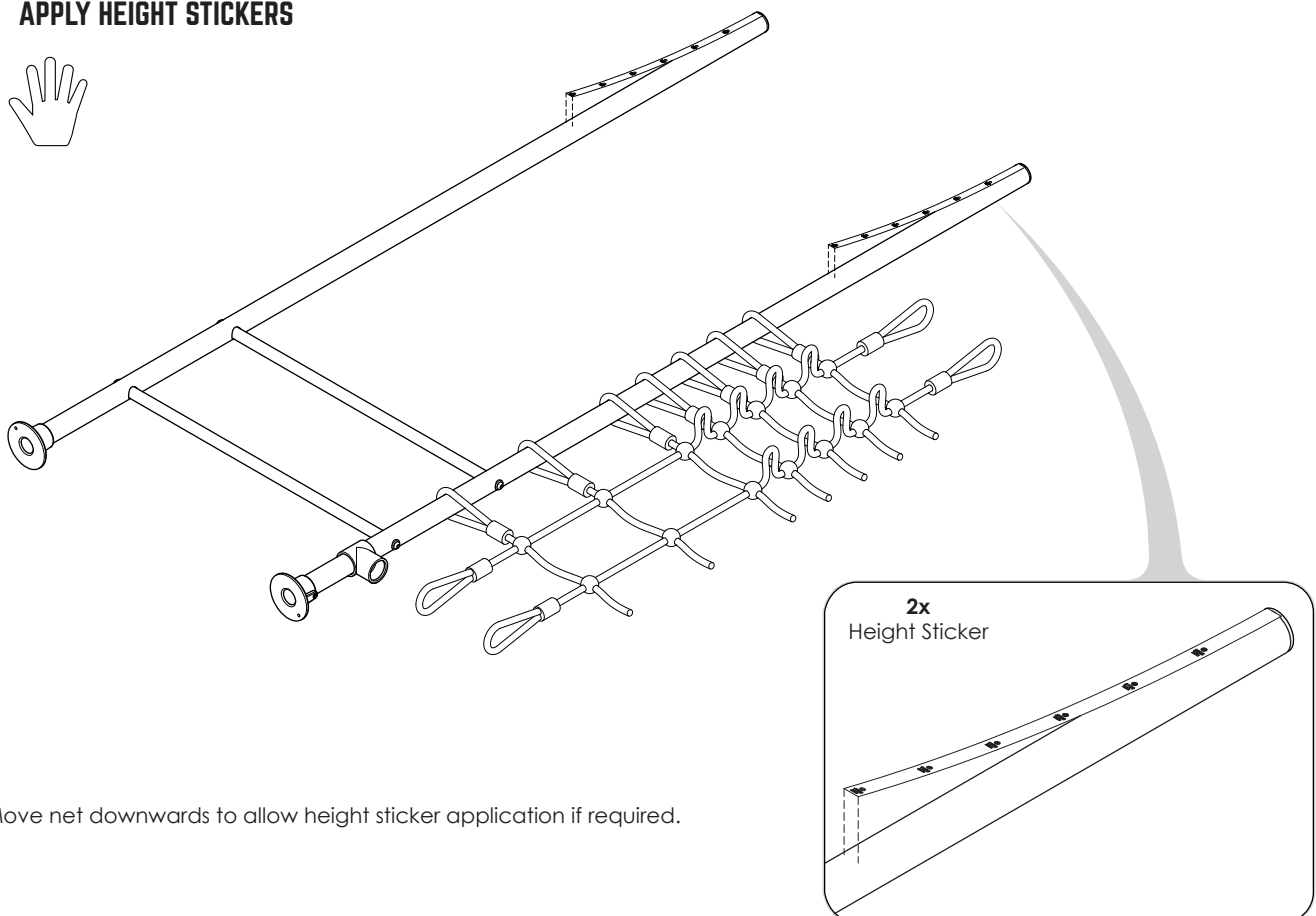
4 ATTACH BASE PLATES AND 1x SHORT TEE (A) (CARGO NET SIDE)



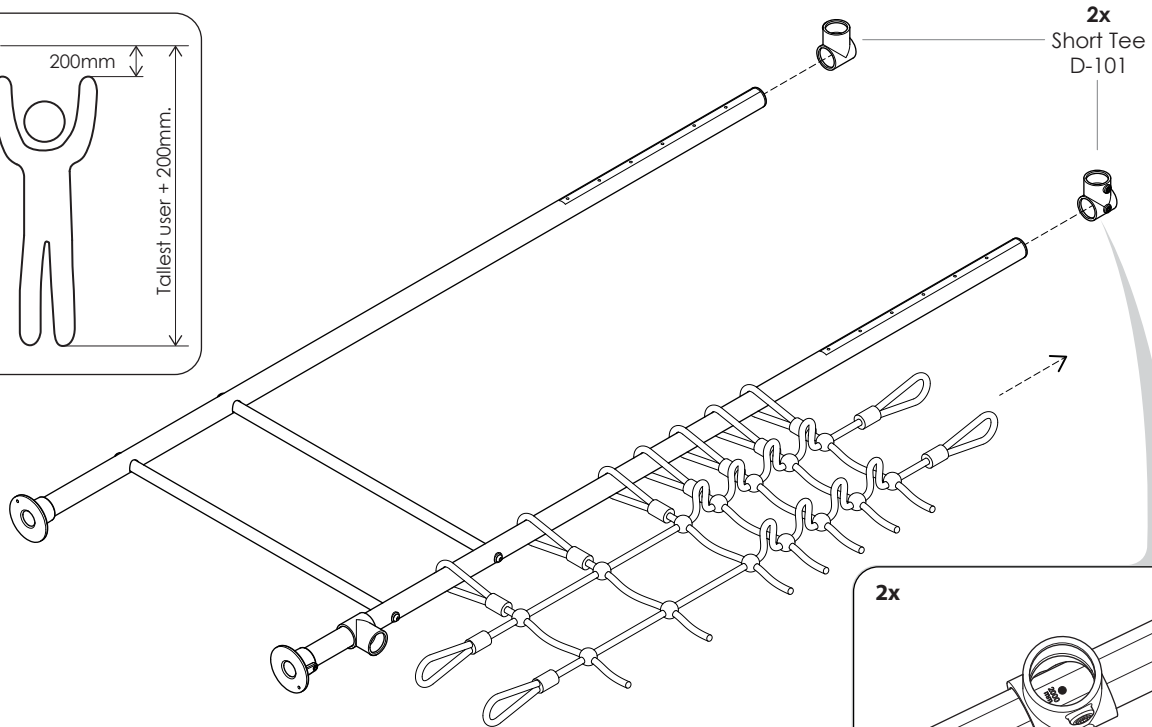
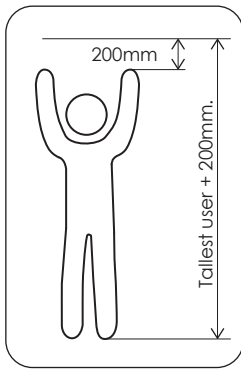
Tighten all grub screws on base plates.



5 APPLY HEIGHT STICKERS



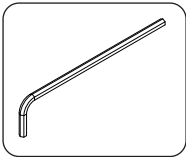
6 SET LADDER BAR HEIGHT.



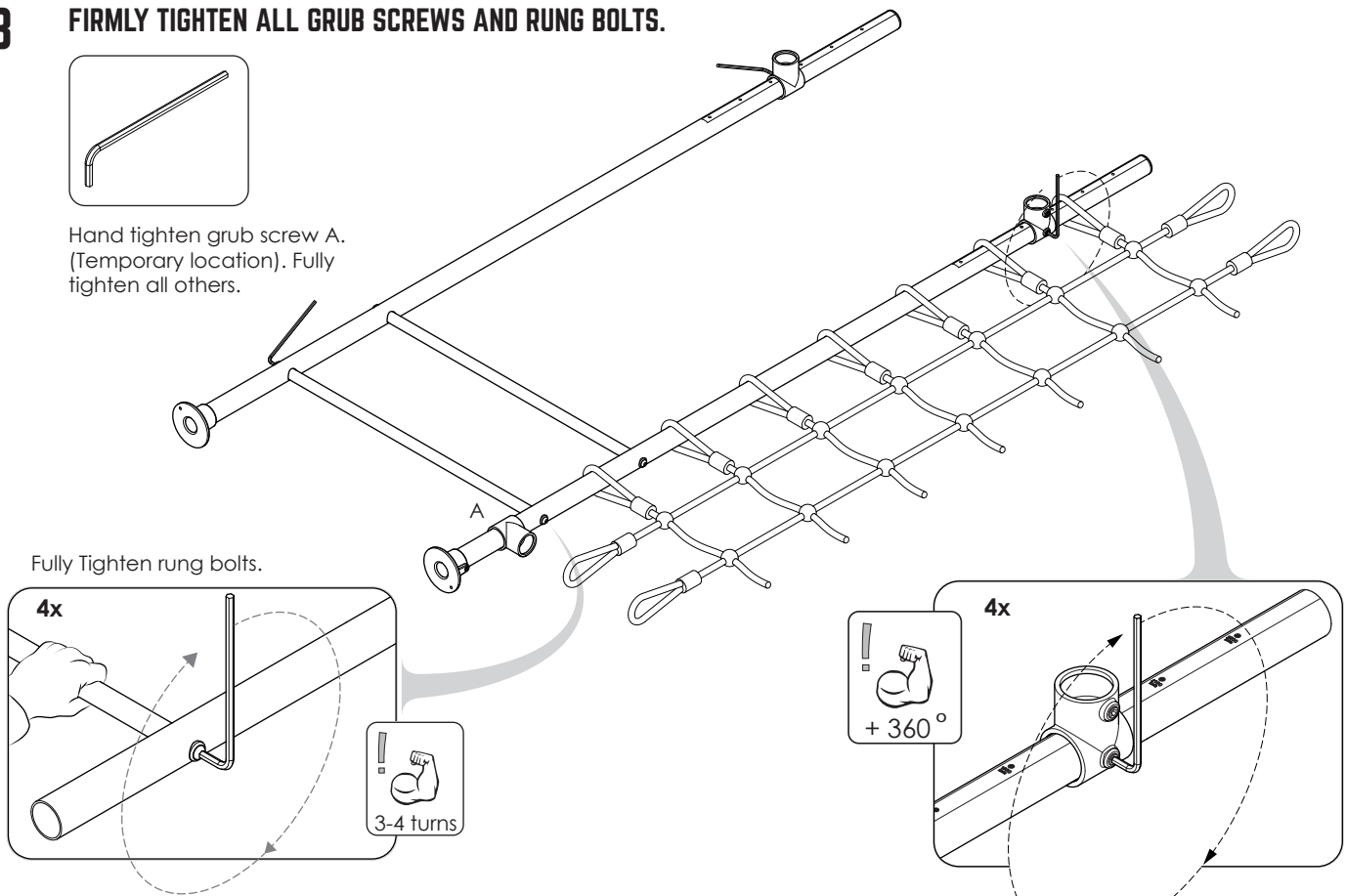
Position top short-tee at measured height.
Push through cargo hoops if required.

7 AS EVERY FUNKY MONKEY BARS® ARRANGEMENT IS DIFFERENT PLEASE CHECK YOUR FRAME MODEL ASSEMBLY INSTRUCTIONS FOR ANY ADDITIONAL FITTINGS THAT MAY NEED BE ATTACHED AT THIS STAGE TO THE LEGS.

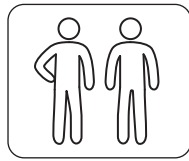
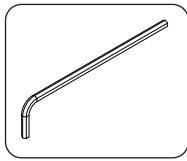
8 FIRMLY TIGHTEN ALL GRUB SCREWS AND RUNG BOLTS.



Hand tighten grub screw A.
(Temporary location). Fully
tighten all others.

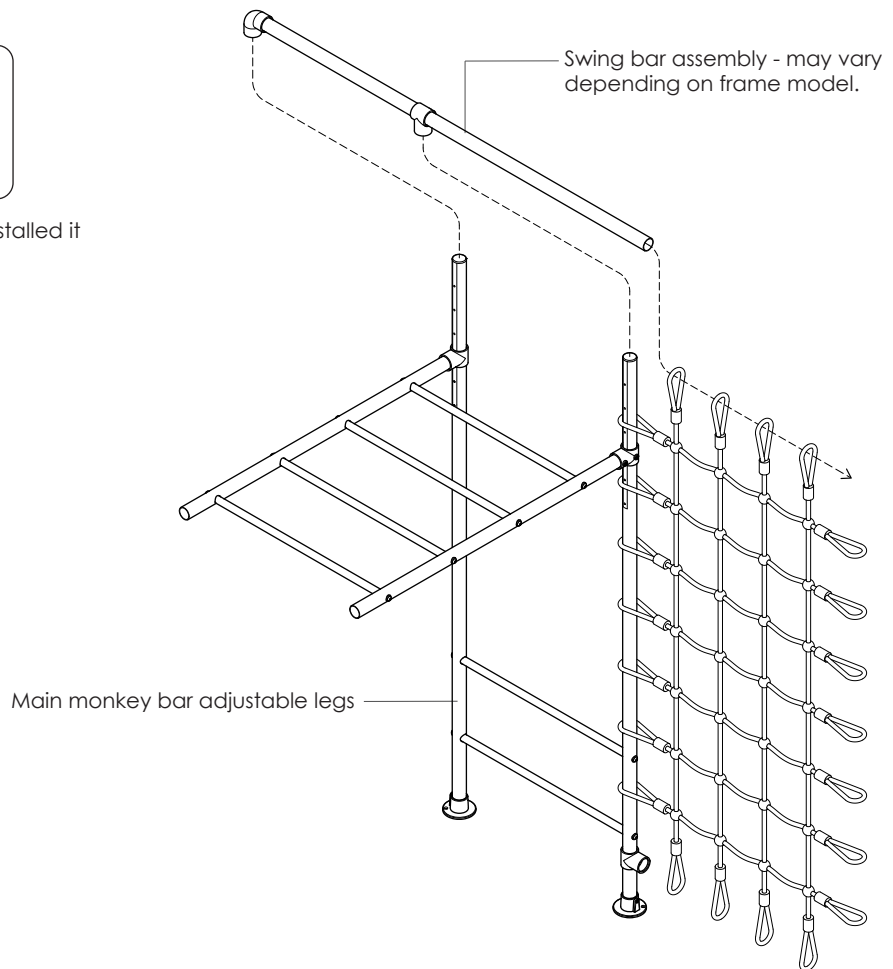


9 ATTACH SWING BAR ASSEMBLY.

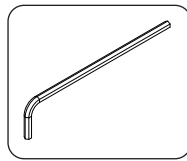


Once the monkey ladder has been installed it is time to install the swing bar.

Attach the short tees and the elbows (on the swing bars) to the main monkey bar ladder legs. The cargo net side will need to be threaded through the top cargo net hoops before attaching. Fully tighten all grub screws.



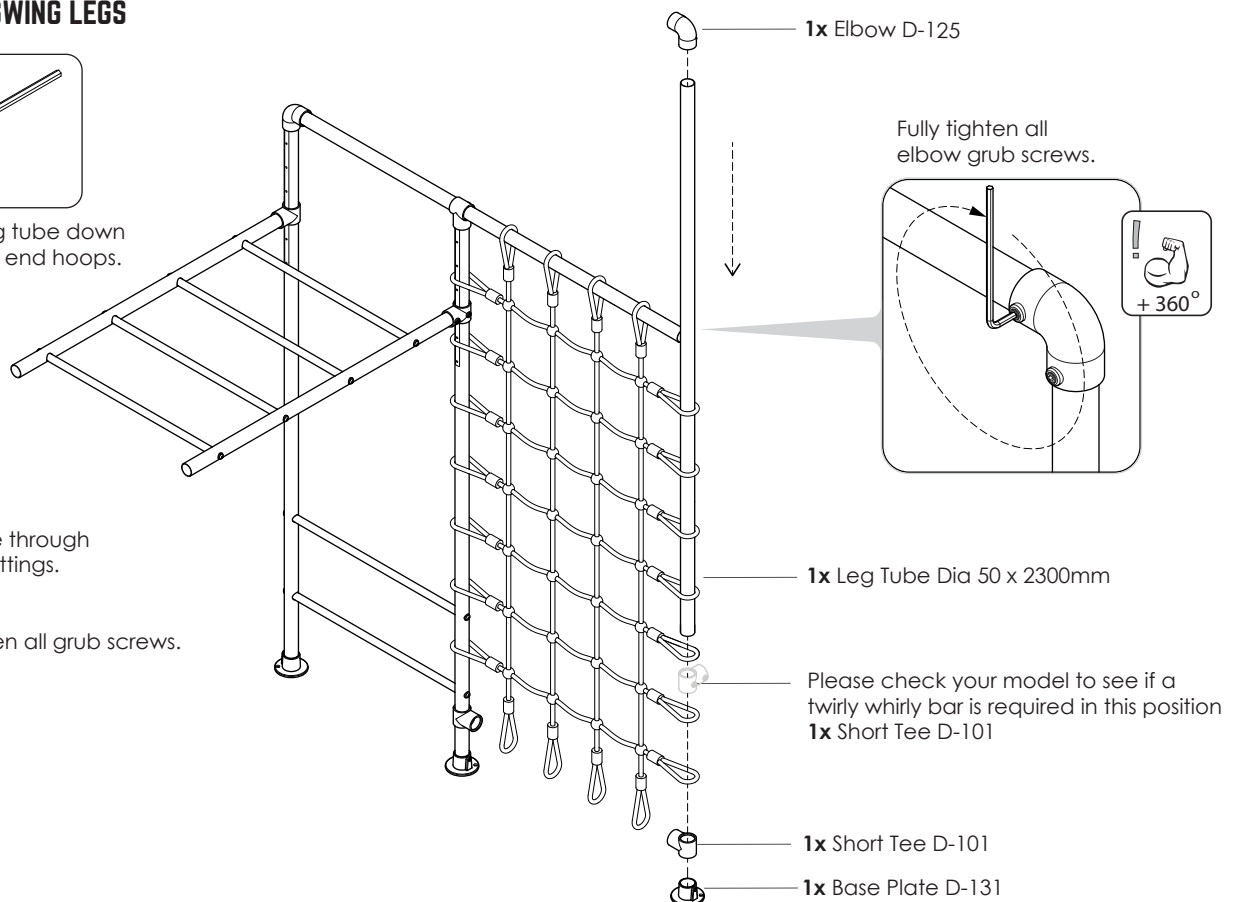
10 ATTACH SWING LEGS



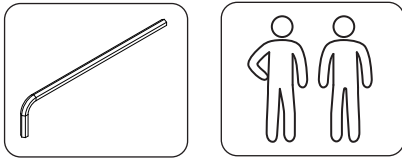
1. Thread leg tube down cargo net end hoops.

2. Feed tube through required fittings.

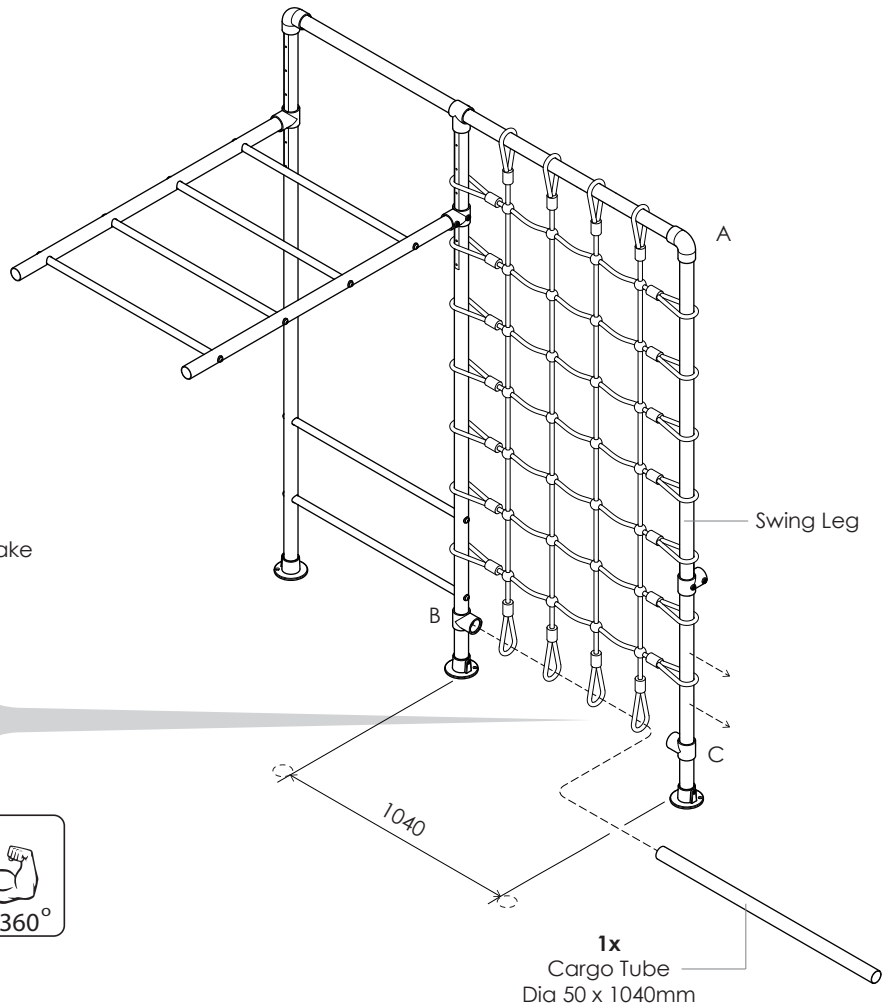
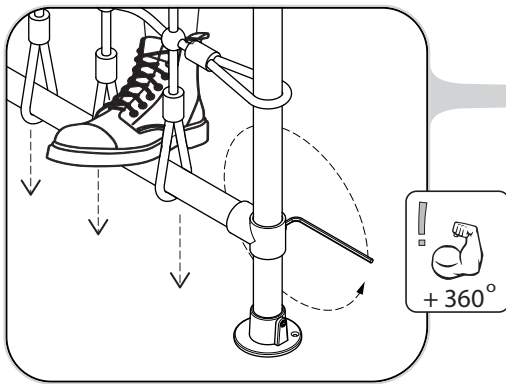
3. Fully tighten all grub screws.



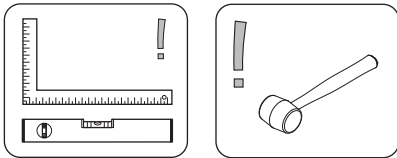
11 ATTACH CARGO TUBE



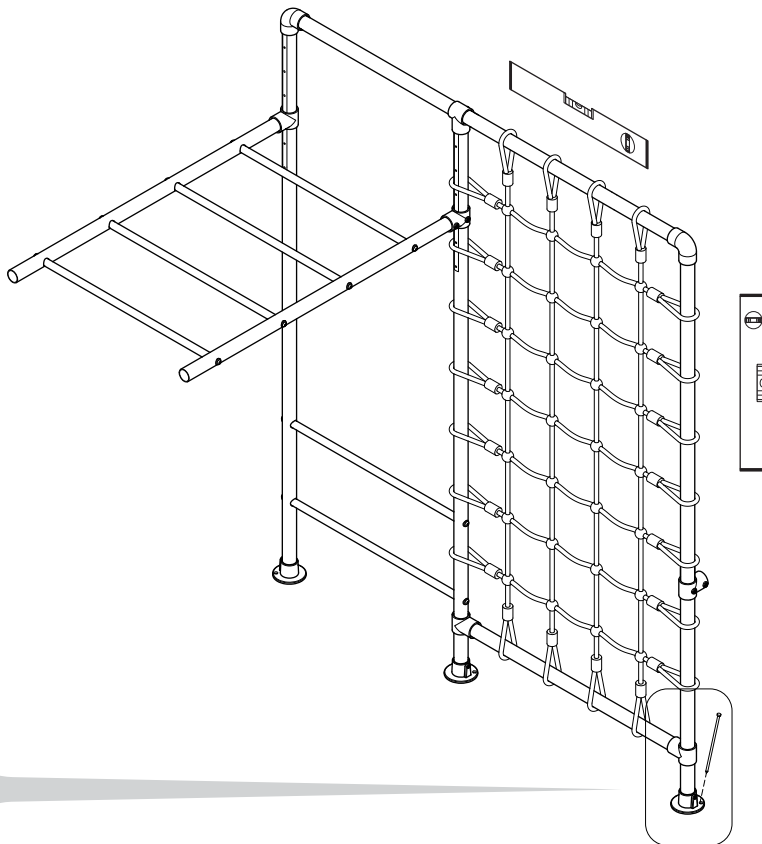
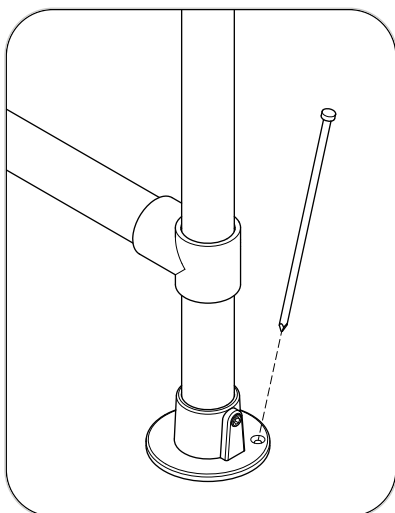
1. Ensure the swing leg and the monkey ladder legs are 1040mm apart.
2. Loosen grub screws on A,B & C.
3. Slide cargo bar through the bottom hoops and insert into short tee (B).
4. Pull swing leg outwards and slot other end of cargo bar into short tee (C).
5. Get second person to stand on tube to make cargo net taunt and level, then fully tighten all grub screws.



12 SECURE TO GROUND



1. Check level and square.
2. Hammer in all pegs.



13 CHECK ALL FITTING GRUB SCREWS & RUNG BOLTS ARE FULLY TIGHTENED



1. Ensure frame is square and level.
2. Firmly tighten all grub screws and bolts.

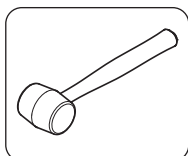
14 CONTINUE WITH REMAINING ASSEMBLY INSTRUCTIONS FOR THE FUNKY MONKEY BARS® FRAME YOU ARE INSTALLING

15 HAVE FUN

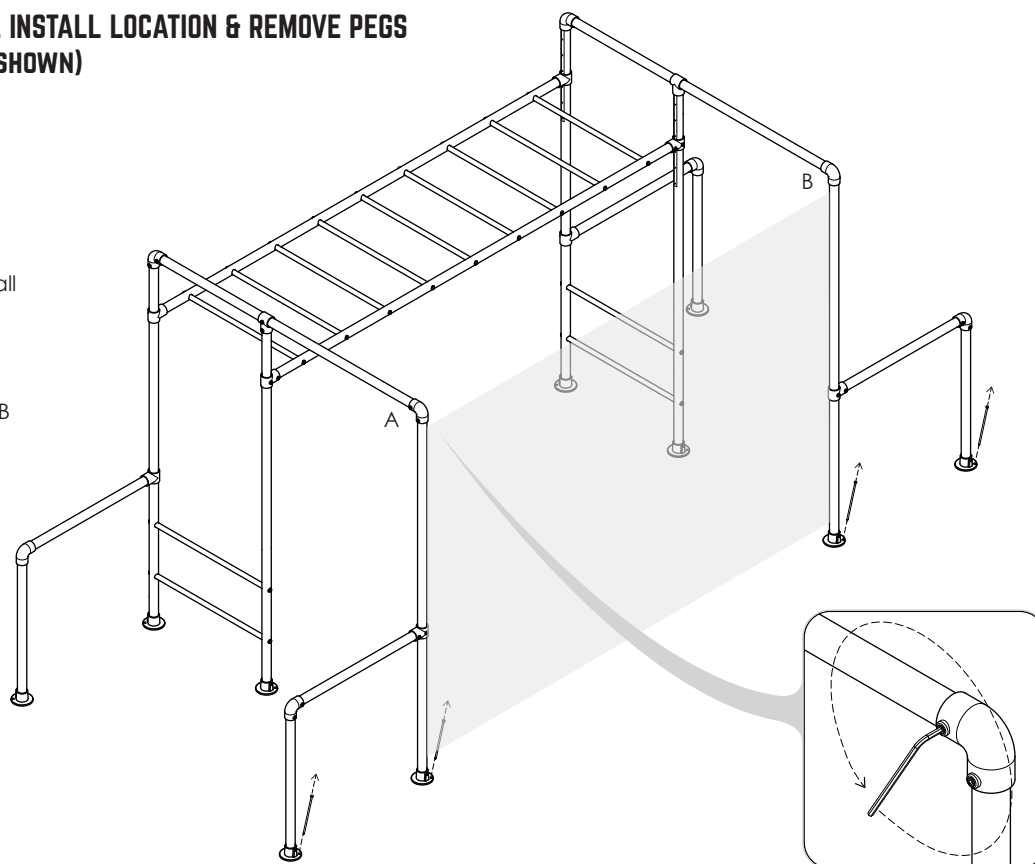
**FOR MORE INFORMATION AND ASSEMBLY TIPS
PLEASE REFER TO OUR WEBSITE VIDEO INSTRUCTION SECTION AT
[HTTP://WWW.FUNKYMONKEYBARS.COM/PAGES/VIDEOS](http://www.funkymonkeybars.com/pages/videos)**

HOW TO ADD A 3M CARGO WALL TO AN EXISTING FRAME.

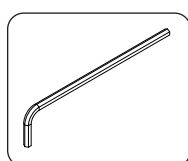
1 CHOOSE CARGO WALL INSTALL LOCATION & REMOVE PEGS (ORANGUTAN FRAME SHOWN)



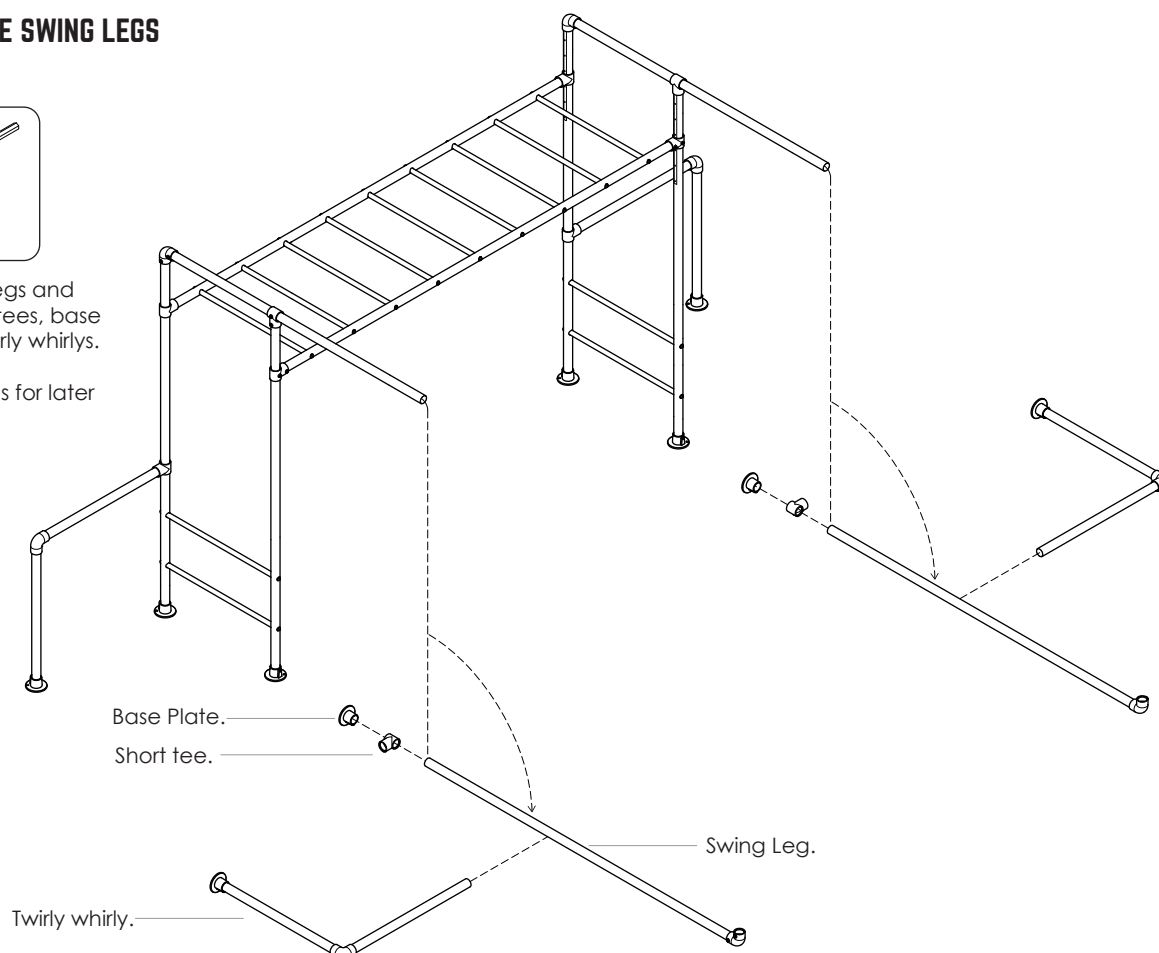
1. Remove pegs from install location legs and any twirly whirlys attached to the install area.
2. Loosen leg elbows A & B



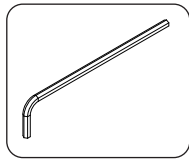
2 DISASSEMBLE SWING LEGS



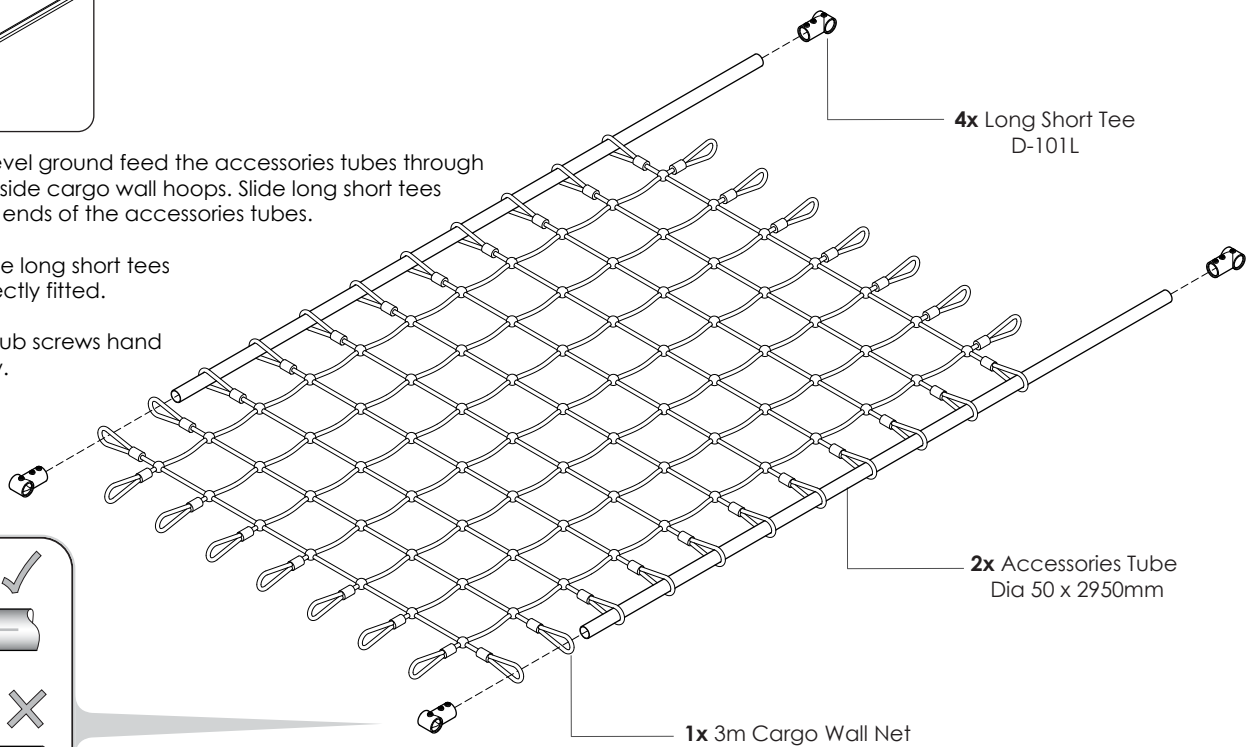
1. Lower swing legs and remove short tees, base plates and twirly whirlys.
2. Keep all fittings for later reassembly.



3 ATTACH ACCESSORIES SUPPORT TUBE TO CARGO WALL NET



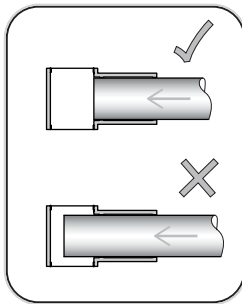
1. On flat level ground feed the accessories tubes through the long side cargo wall hoops. Slide long short tees onto the ends of the accessories tubes.
2. Ensure the long short tees are correctly fitted.
3. Leave grub screws hand tight only.



4x Long Short Tee
D-101L

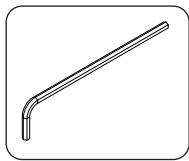
2x Accessories Tube
Dia 50 x 2950mm

1x 3m Cargo Wall Net



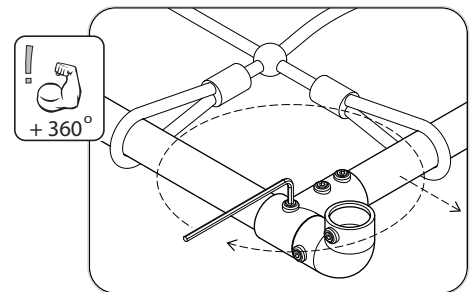
Ensure accessories tube is not over inserted into extra long tees & is level with through hole.

4 ATTACH CARGO WALL LEG TUBES

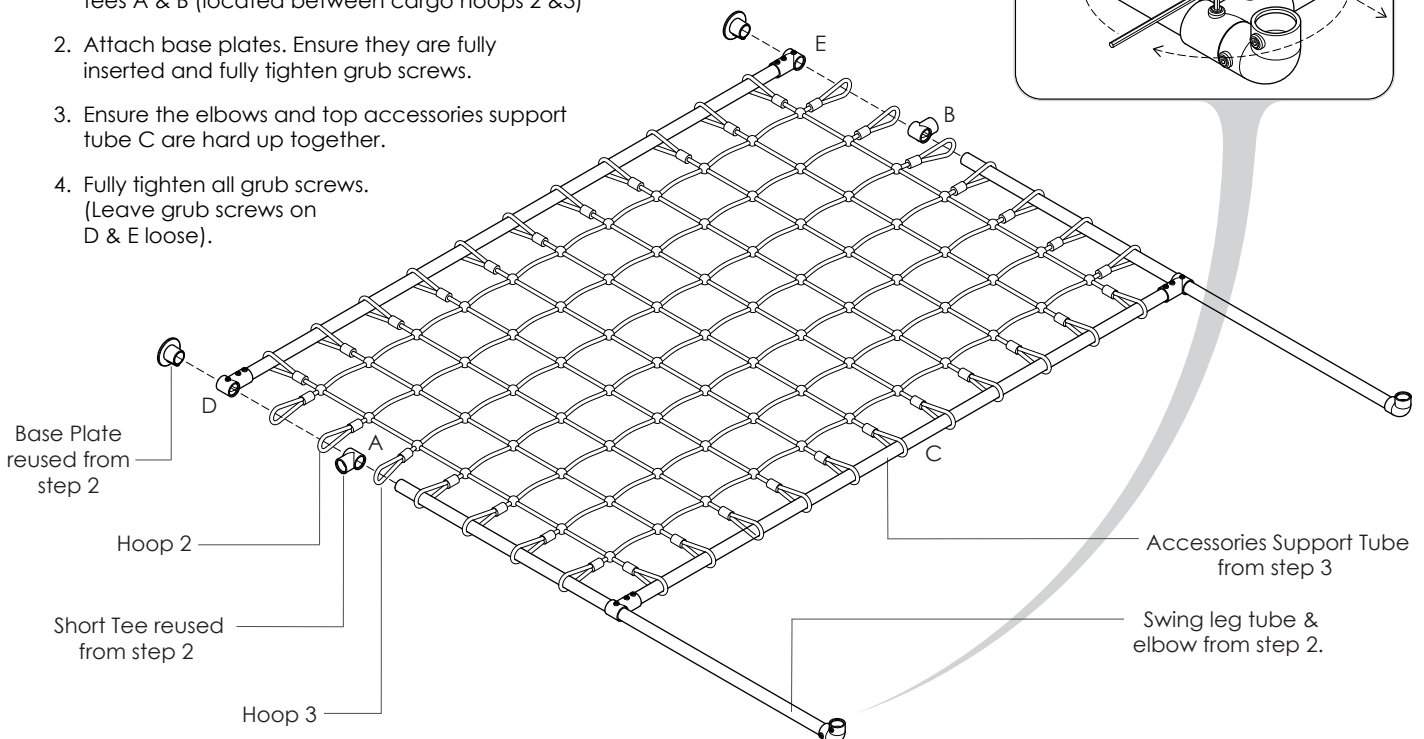


1. Feed the swing leg tubes (removed in step 2) through the accessories support tube long short tees, side cargo net hoops and short tees A & B (located between cargo hoops 2 & 3)
2. Attach base plates. Ensure they are fully inserted and fully tighten grub screws.
3. Ensure the elbows and top accessories support tube C are hard up together.
4. Fully tighten all grub screws. (Leave grub screws on D & E loose).

Fully tighten grub screws.



+ 360°



Base Plate reused from step 2

Hoop 2

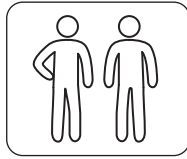
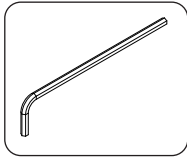
Short Tee reused from step 2

Hoop 3

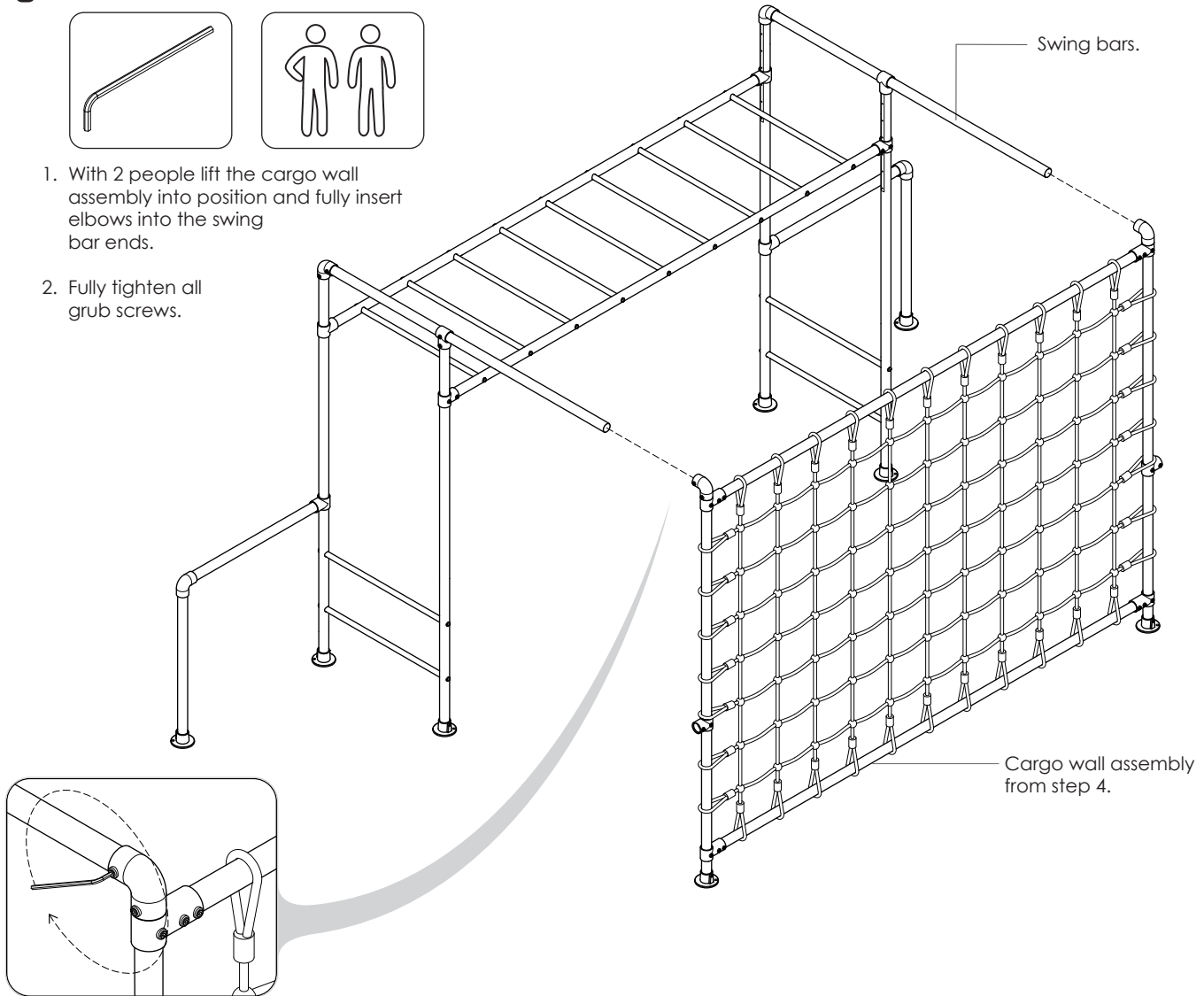
Accessories Support Tube from step 3

Swing leg tube & elbow from step 2.

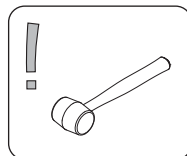
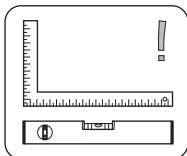
5 ATTACH CARGO WALL INTO POSITION



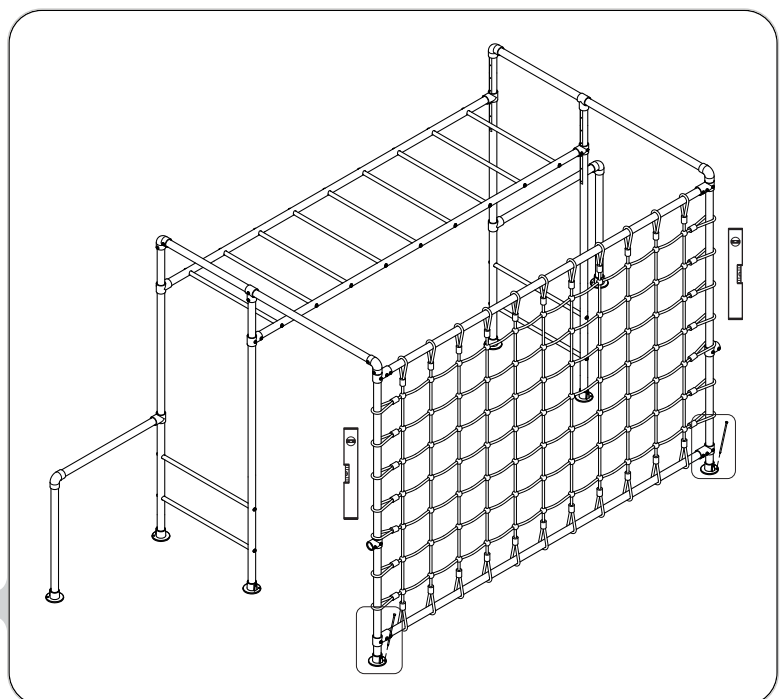
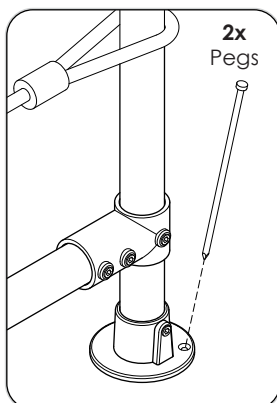
1. With 2 people lift the cargo wall assembly into position and fully insert elbows into the swing bar ends.
2. Fully tighten all grub screws.



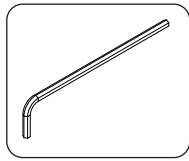
6 SECURE TO GROUND



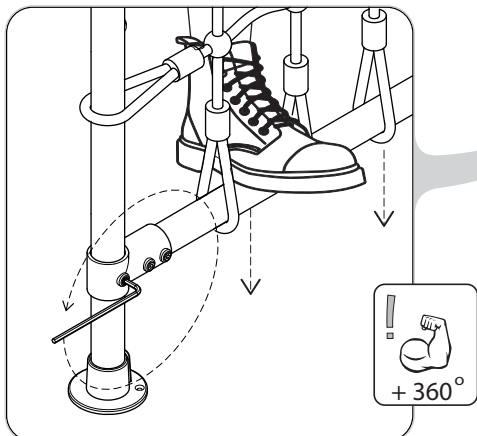
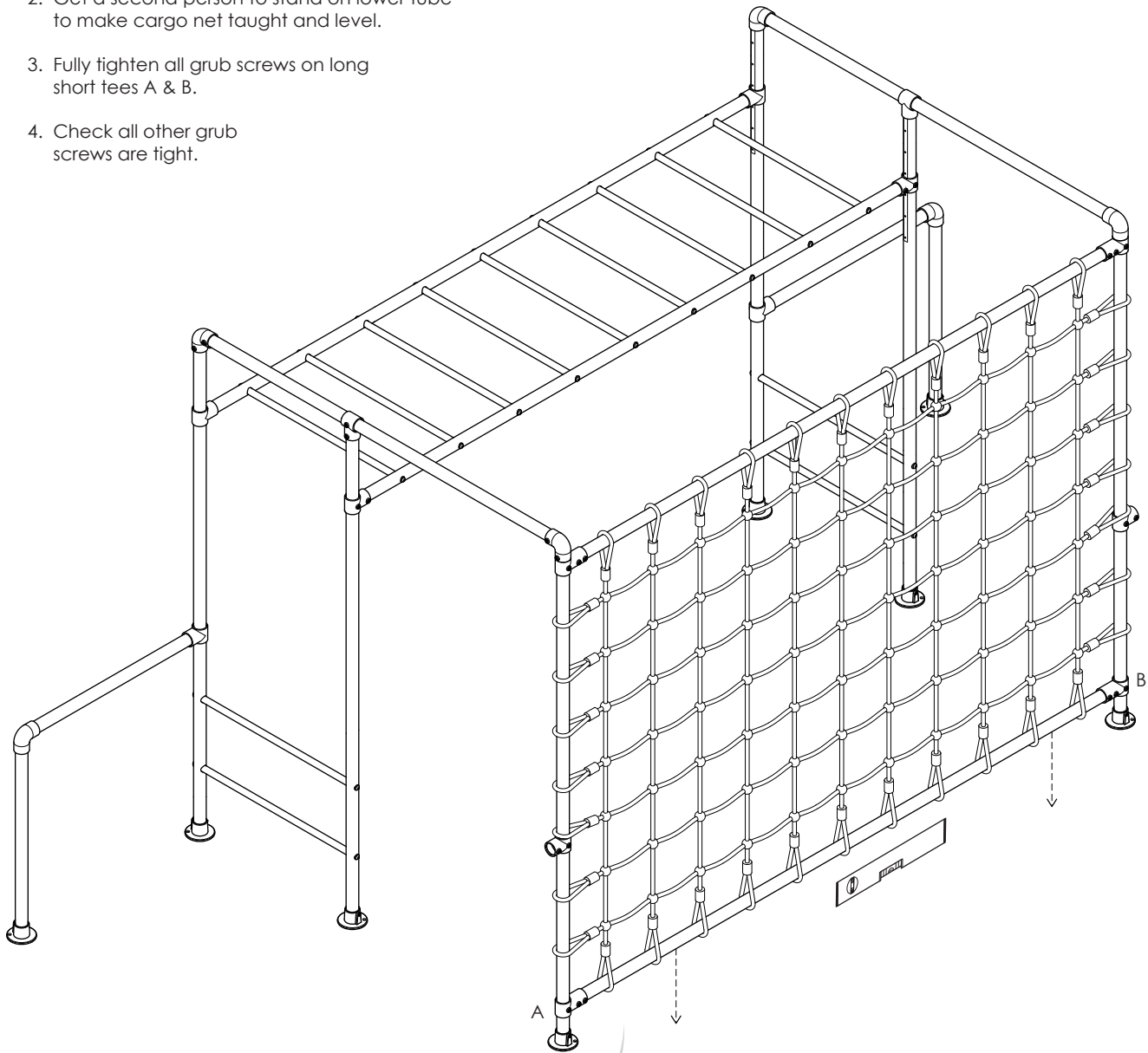
1. Check level and square.
2. Hammer in pegs x2.



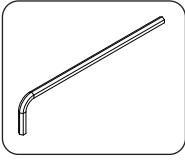
7 TIGHTEN CARGO WALL



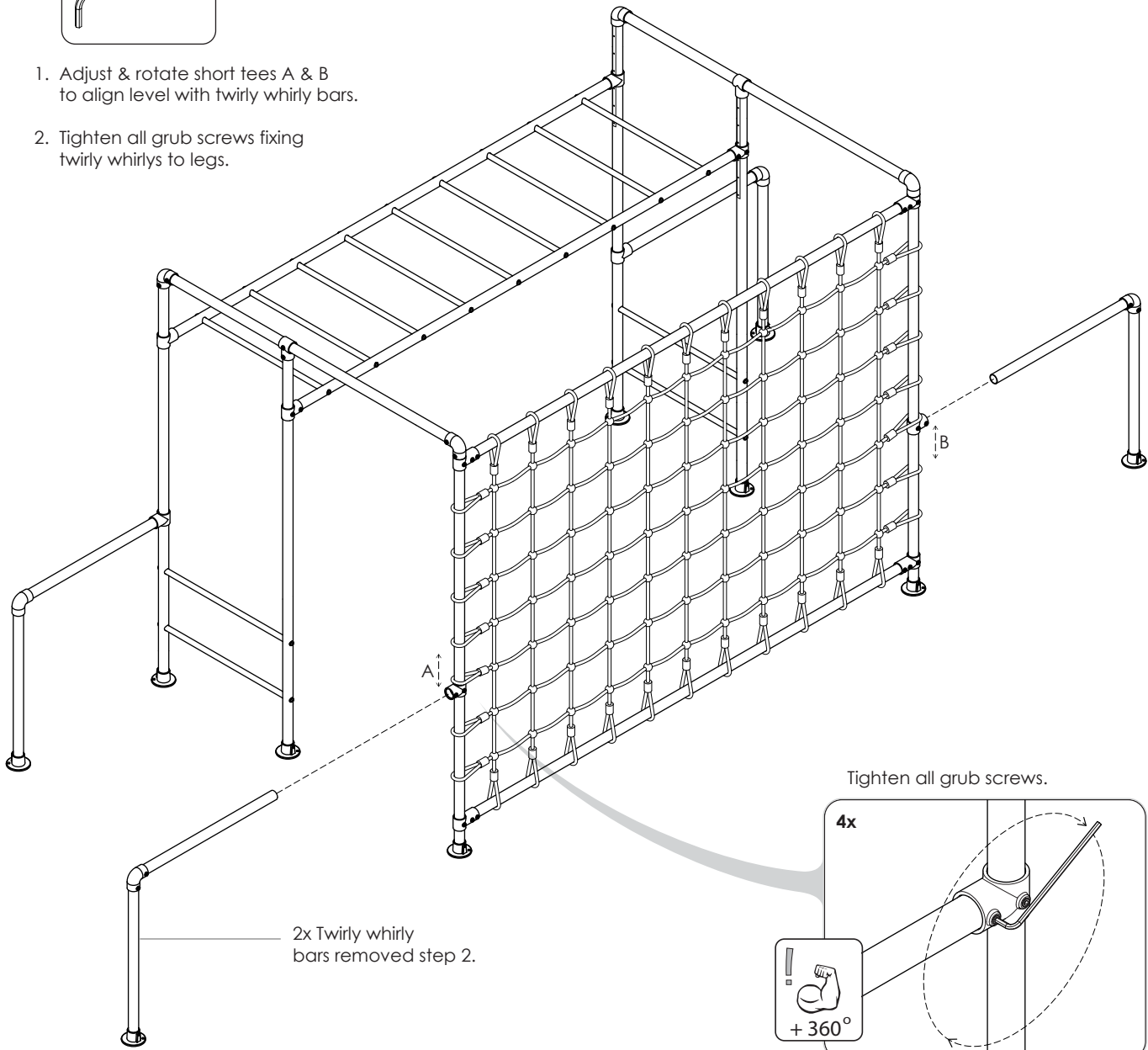
1. Loosen outside grub screws on long short tees A & B connecting to leg.
2. Get a second person to stand on lower tube to make cargo net taugt and level.
3. Fully tighten all grub screws on long short tees A & B.
4. Check all other grub screws are tight.



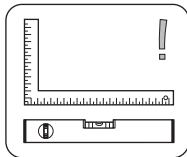
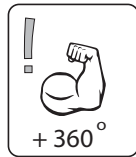
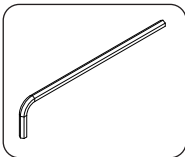
8 ATTACH TWIRLY WHIRLY BARS X4



1. Adjust & rotate short tees A & B to align level with twirly whirly bars.
2. Tighten all grub screws fixing twirly whirlys to legs.



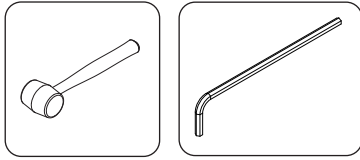
9 CHECK ALL FITTING GRUB SCREWS ARE FULLY TIGHTENED



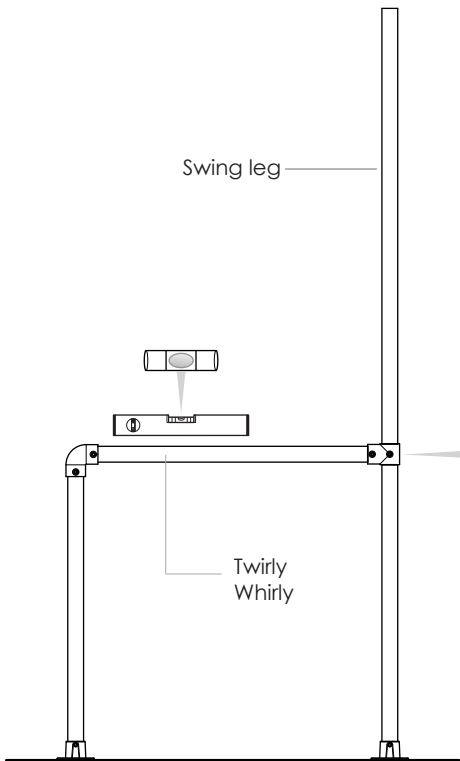
1. Ensure frame is square and level.
2. Firmly tighten all grub screws and bolts.

ASSEMBLY INSTRUCTIONS - LOAD TWIRLY WHIRLY BARS

10 LOAD YOUR TWIRLY WHIRLY BARS x2

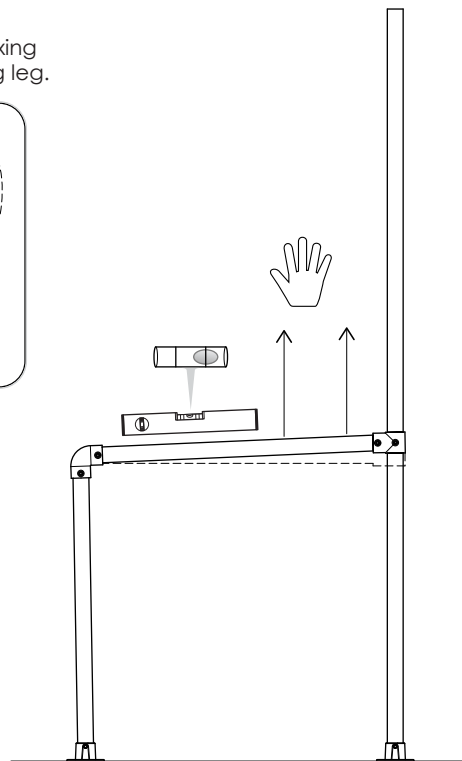
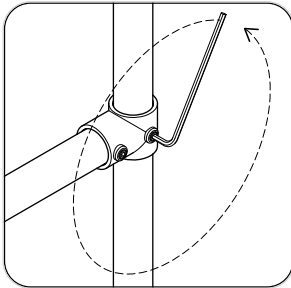


To reduce movement in your frame load your twirly whirly bars as follows.

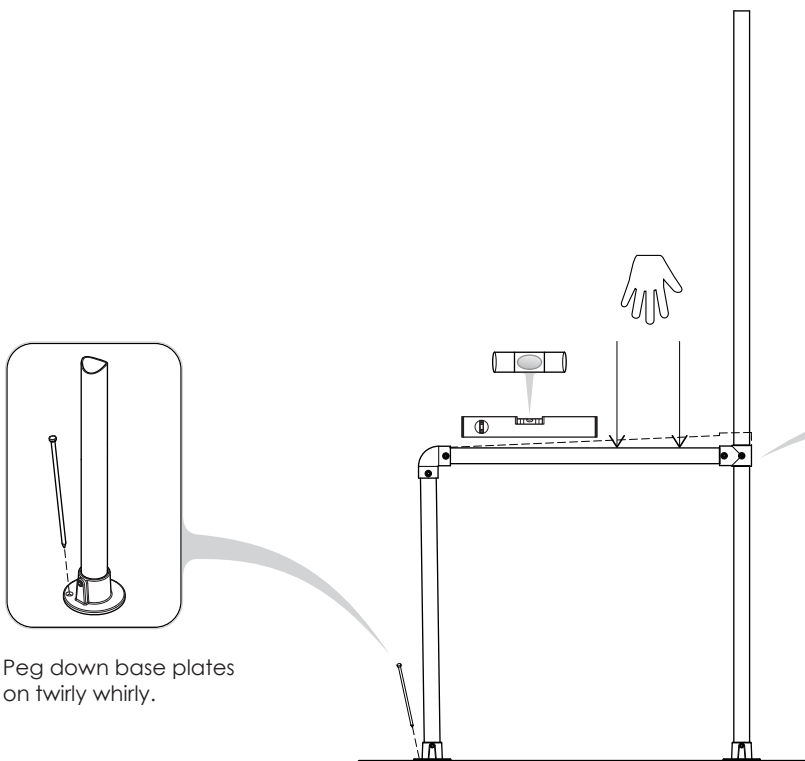


1. Ensure twirly whirly is level and square & swing leg is pegged down.

2. Loosen the grub screw fixing the short tee to the swing leg.

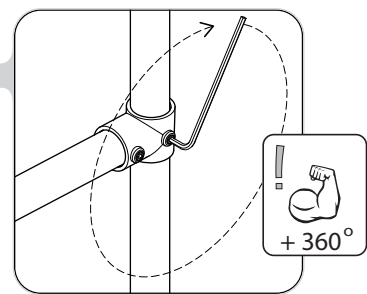


3. Pull upwards on the twirly whirly bar to make a slight angle. (Half a bubble off center on the level)



4. Peg down base plates on twirly whirly.

5. Push down on the twirly whirly bar until horizontal bar is level.



6. Tighten grub screw fixing the short tee to the swing leg tube. Apply to all twirly whirlys.

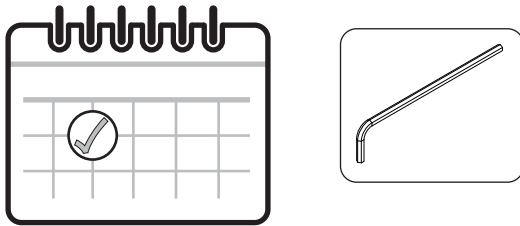
REFER TO VIDEO SECTION OF WEBSITE [HTTP://WWW.FUNKYMONKEYBARS.COM/PAGES/VIDEOS](http://www.funkymonkeybars.com/pages/videos)

11 FINAL CHECKS



1. Ensure frame is square and level.
2. Firmly tighten all grub screws and bolts.
3. All base plates are pegged down.

12 MAINTENANCE.



At the beginning of each heavy play session (especially a party) and twice a month during play season ensure;

1. Tighten all hardware - grub screws, nuts and bolts.
2. Pegs are in place and fully secure.
3. Lubricate all metallic moving parts with WD40 or Vaseline - (trolley and swing hooks.)
4. Ensure your frame is level and square.

FAILURE TO DO SO COULD RESULT IN SERIOUS INJURY OR DEATH.

13 HAVE FUN



**FOR MORE INFORMATION AND ASSEMBLY TIPS
PLEASE REFER TO OUR WEBSITE VIDEO INSTRUCTION SECTION AT
[HTTP://WWW.FUNKYMONKEYBARS.COM/PAGES/VIDEOS](http://www.funkymonkeybars.com/pages/videos)**



ABN 72 164 496 520



1300 912 198



info@funkymonkeybars.com



www.funkymonkeybars.com



9 Cutting Way,
Yangebup WA 6164



WE ARE SOCIAL MONKEYS



Australian Government
IP Australia

All Funky Monkey Bars® designs are registered and protected under IP Australian certification.