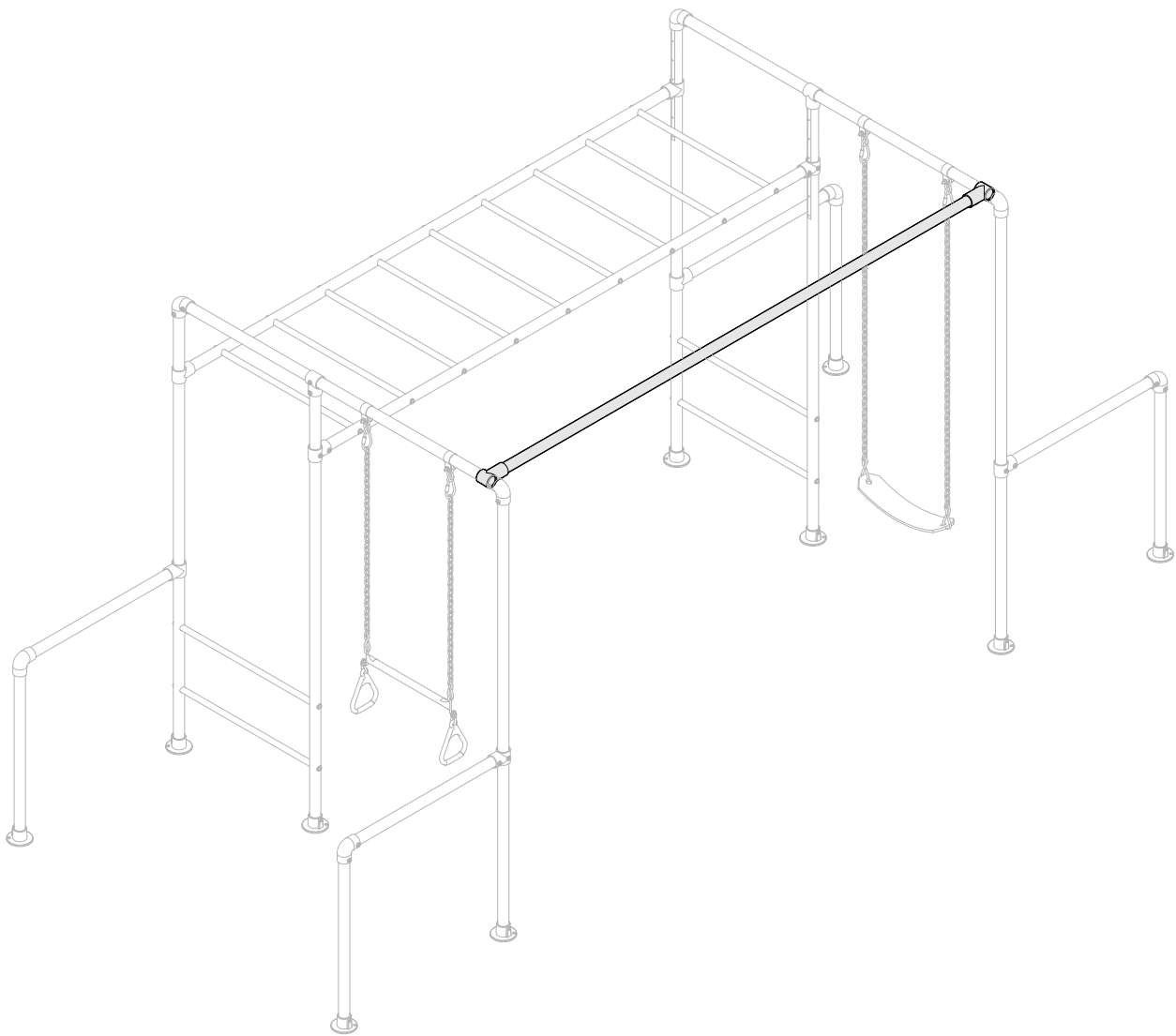


FUNKY Monkey bars[®]



ACCESSORIES BAR (ADD ON) ASSEMBLY INSTRUCTIONS

CONTENTS

Warnings	Page 1
Assembly Tips	Page 3
Inventory and Tools	Page 4
Load Rating	Page 4
Assembly Instructions	Page 5
Accessories Bar Orientation	Page 5
Existing Frame Preparation	Page 6
Accessories Bar	Page 7
Maintenance	Page 10

WARNING

PLEASE CAREFULLY READ ALL INFORMATION CONTAINED IN THIS ASSEMBLY MANUAL BEFORE YOU INSTALL AND USE YOUR FUNKY MONKEY BARS®.

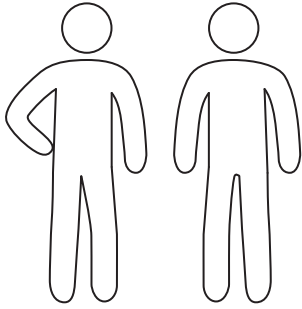
SAFETY NOTICE

1. Any person handling or using the Funky Monkey Bars® products must follow the instructions as described in this document. The person in charge of assembling and using the equipment must ensure that the recommendations for use given in this document are seen by all users.
2. Only use the Funky Monkey Bars® after they have been fully assembled and after checking that the fittings are tightened properly (*refer to page 3 - Correct Tightening Method*).
3. DO NOT install your Funky Monkey Bars® over concrete, asphalt, packed earth, wood decking or any other hard surface. A fall onto a hard surface can result in serious injury or death.
4. Inspect all grub screws, bolts and nuts at the beginning of each play session to ensure your Funky Monkey Bars® are tight and secure.
5. Ensure all tubes are fully inserted into fittings until you hear the magic "CLUNK" sound.
6. Ensure your Funky Monkey Bars® are properly secure at ALL times. Pegs are in place and inserted fully into the ground.
7. DO NOT exceed the maximum load/weight limit as recommended by Funky Monkey Bars®.
8. Children should be supervised by an adult at all times.
9. Installing a gym/crash mat under the fall zone area of your Funky Monkey Bars® would be recommended for children learning this new skill. This will reduce the chance of injury and build the child's confidence while they build strength and master the skill.
10. Ensure you have thoroughly read your assembly and installation instructions and viewed our on-line installation videos at <https://www.funkymonkeybars.com/blogs/installation-maintenance-videos>
11. DO NOT climb, sit or stand on top of the monkey bar (horizontal ladder) section.
12. DO NOT jump from the top of any section of the monkey bar.
13. DO NOT use your Funky Monkey Bars® when wet as the steel will be slippery.
14. DO NOT attach items to your frame that are not designed specifically to be used with Funky Monkey Bars®, especially lower quality products that have not been approved by Funky Monkey Bars®.
15. Ensure the height of your Funky Monkey Bars® (horizontal ladder) are set at a level that is age appropriate.
16. DO NOT install your Funky Monkey Bars® over or near objects that could interfere with users in an unsafe way. Maintain a clear area around your Funky Monkey Bars®.
17. DO NOT use your Funky Monkey Bars® while under the influence of drugs and alcohol.
18. Wear clothing free of drawstrings, hooks, loops or anything that could get caught while using your Funky Monkey Bars® and result in entanglement and/or strangulation.

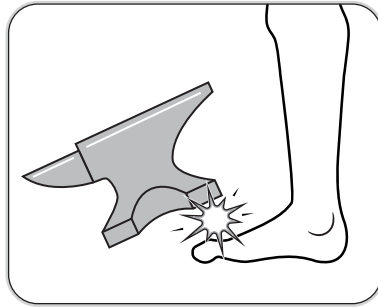
ASSEMBLY

1. Keep small children away from the Funky Monkey Bars® during assembly.
2. Do not attempt to use the Funky Monkey Bars® until it is completely assembled and every fitting is tight and secured.
3. Installation typically takes 1-2 hours to complete. Two people are recommended for assembly.
4. Ensure all fittings are tightened to the correct tightening method as described on page 3.
5. Assembly should be carried out on clean, dry, level surface

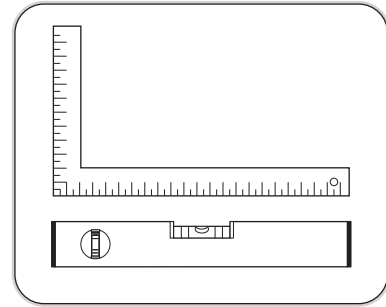
Please refer to the video section on the Funky Monkey Bars® website for more handy tips and assembly instructions at <http://www.funkymonkeybars.com/pages/videos>



Assembly requires 2 adults.



Heavy items !



Work on flat level surface.

LOCATION

1. A safe fall zone around your Funky Monkey Bars® is essential. A minimum distance of 1.5m to 2m (5 ft to 6.5ft) is recommended around the elevated hanging points of your Funky Monkey Bars®.
2. Place your Funky Monkey Bars® on level ground, away from any structure or obstruction such as a fence, garage, house, overhanging branches, laundry lines or electrical wires and remove any obstructions beneath your Funky Monkey Bars®.
3. Ensure your Funky Monkey Bars® are positioned away from retaining walls, pool fences, structures and other play equipment. Maintain a clear space around the whole perimeter of your Funky Monkey Bars®.
4. Place your Funky Monkey Bars® on the most level surface available.

MAINTENANCE

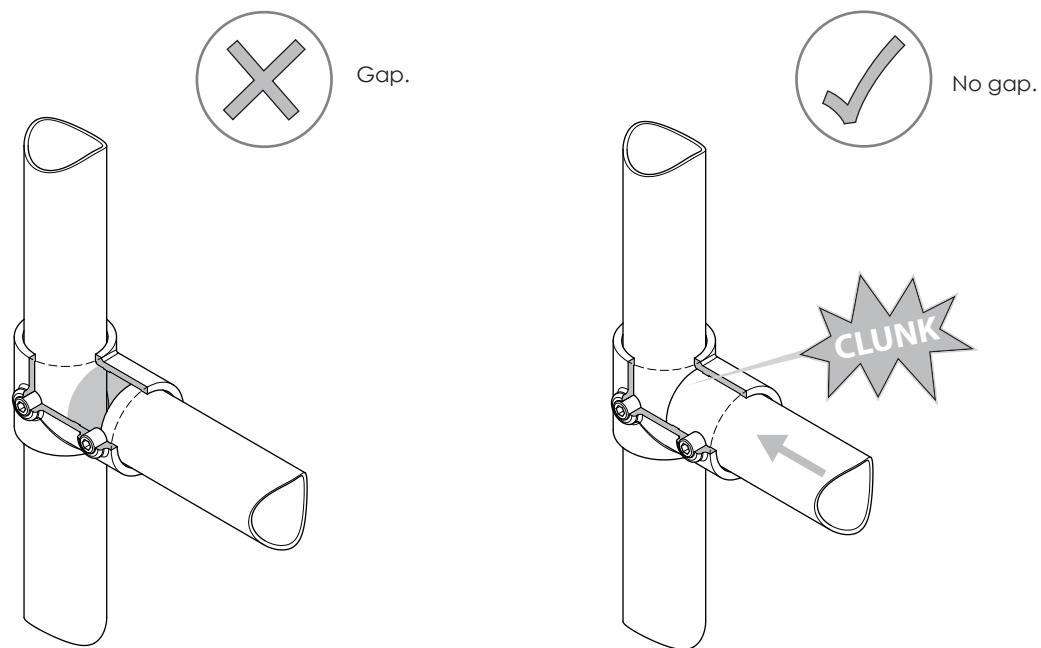
1. At the beginning of each heavy play session we recommend the following maintenance processes be performed on your Funky Monkey Bars®:
 - Tighten all bolts, grub screws and applicable hardware (as per page 3)
 - Lubricate all metallic moving parts as per instructions (flying fox, swing hooks etc)
 - Check all protective coverings on bolts, pipes, edges and corners. Replace if they are loose, cracked or missing.
 - Check all moving parts including swing seats, shackles, snap hooks, chains and trolleys for wear, rust, or other deterioration. Replace as needed.
2. Twice a month during play season we would recommend the following maintenance processes be performed on your Funky Monkey Bars®:
 - Tighten all connections and hardware
 - Check all protective coverings on bolts, pipes, edges and corners. Replace if they are loose, cracked or missing.
3. Once a month during play season we would recommend the following maintenance processes be performed on your Funky Monkey Bars®:
 - Lubricate all metallic moving parts as per instructions (flying fox, swing hooks etc). If swings start to squeak then lubricate swing hooks.
 - Check all moving parts including swing seats, ropes, chains and trolleys for wear, rust, or other deterioration. Replace as needed.
 - Owners shall be responsible for maintaining the legibility of any warning labels.

For additional information concerning your Funky Monkey Bars®, please contact our customer service team or check our website for any important updates. Phone - 1300 912 198 or www.funkymonkeybars.com

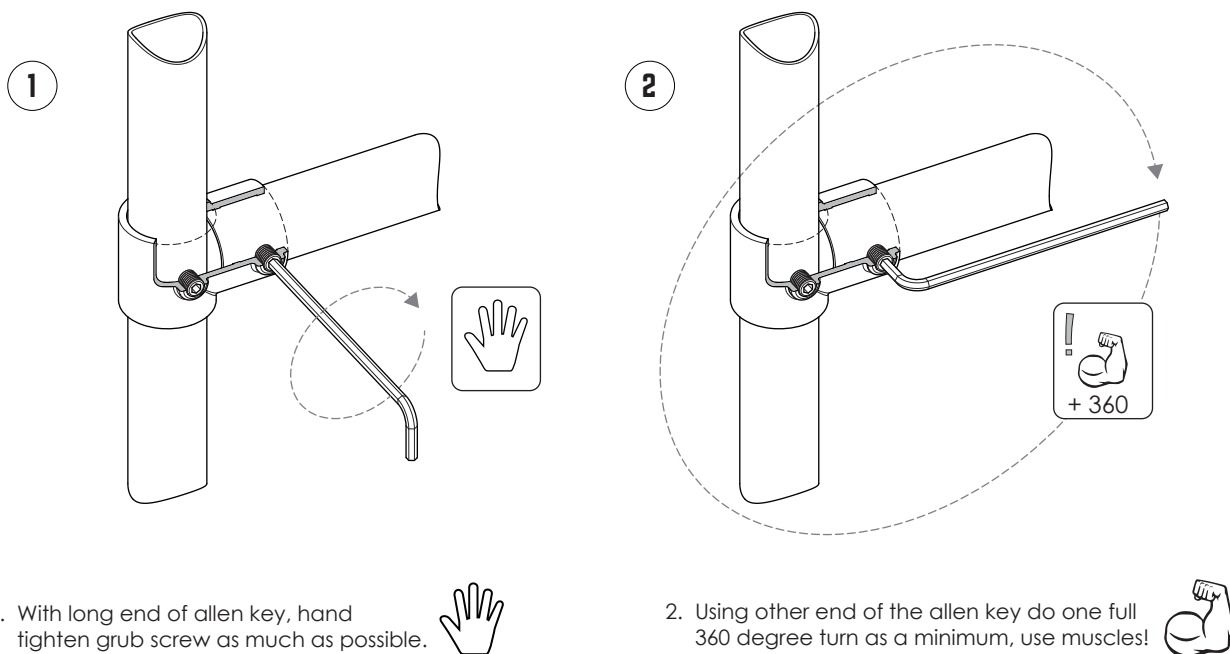
ASSEMBLY TIPS

CORRECT INSERTION INTO FITTINGS - (INDICATIVE DIAGRAM SHOWN)

All tubes must be fully inserted until contact is made with adjoining tube.

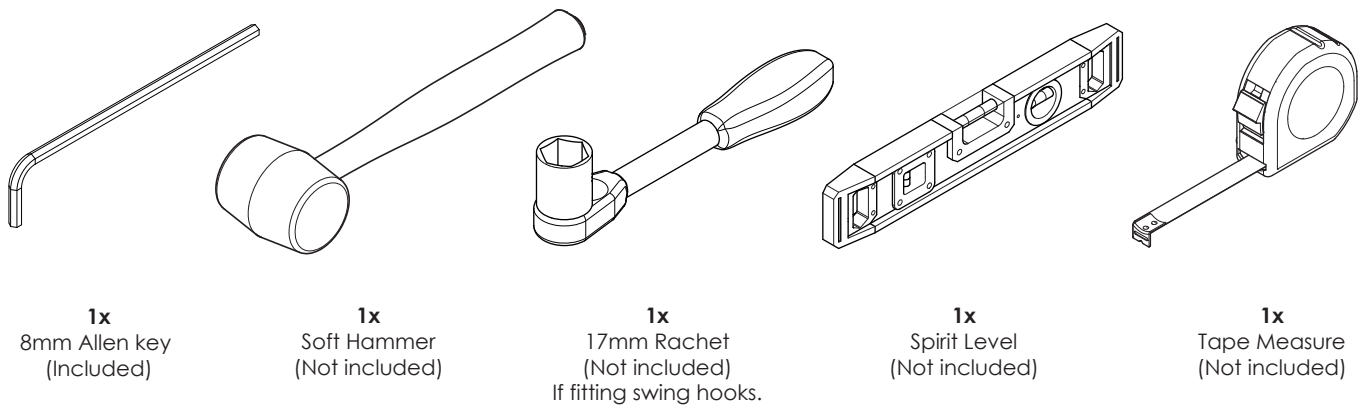


CORRECT TIGHTENING METHOD OF GRUB SCREWS - (INDICATIVE DIAGRAM SHOWN)



INVENTORY & LOAD RATING

TOOLS REQUIRED FOR INSTALLATION



1x
8mm Allen key
(Included)

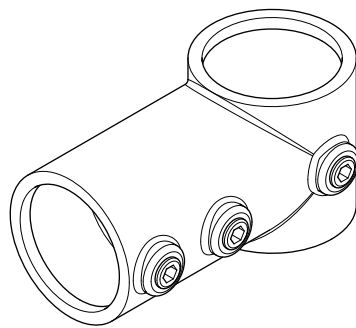
1x
Soft Hammer
(Not included)

1x
17mm Ratchet
(Not included)
If fitting swing hooks.

1x
Spirit Level
(Not included)

1x
Tape Measure
(Not included)

INVENTORY - (NOT TO SCALE)

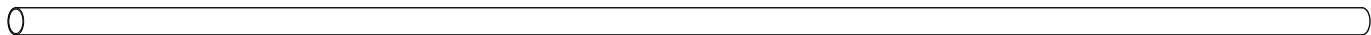




2x
Long Short Tee
D-101L

1x
Load Rating Sticker



1x
Accessories Tube
50Dia x 2950mm

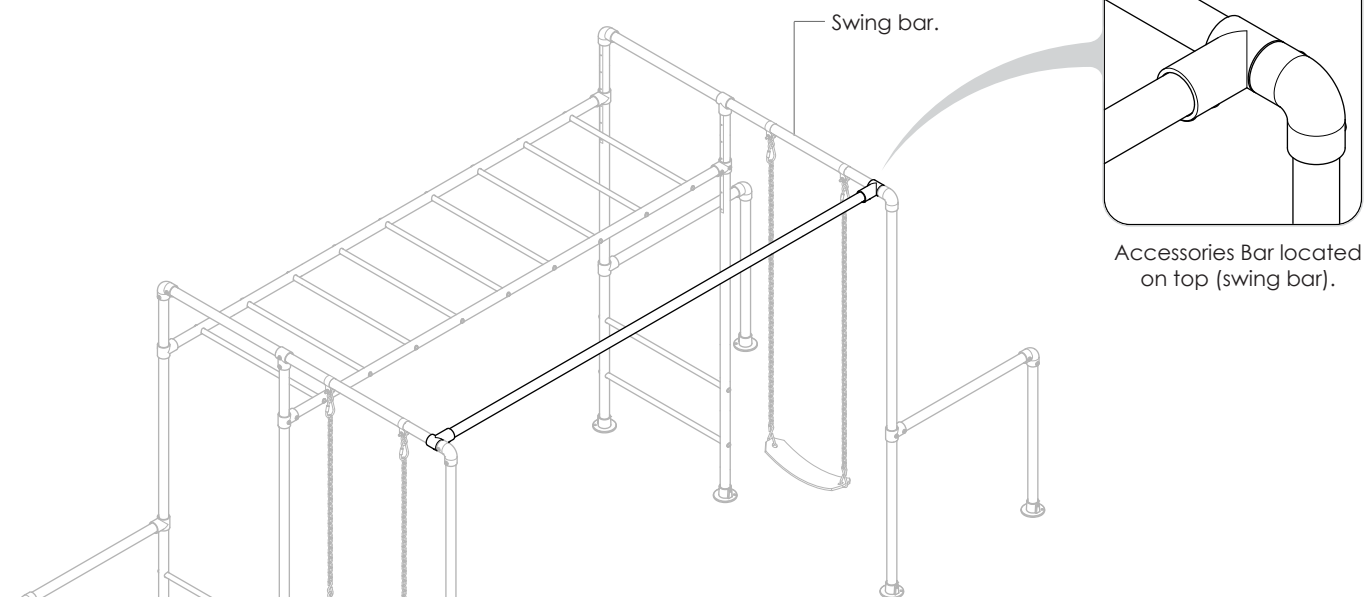


LOAD TESTING CERTIFICATION				
DATE OF TEST	MODEL	NUMBER OF USERS	USER LOAD (KG)	LOAD RATING (KG)
June 2019	Accessories Bar	3	60	180
I hereby confirm all testing was undertaken in accordance with Physical Testing of Structural Integrity requirements of AS 4685.1: 2014 App C / EN 1176-1:2008° except where noted below;				
COMMENTS: Maximum users on accessories bar to be 3 users or 180kgs.				
APPROVED BY: Funky Monkey Bars®		WITNESSED BY: Independent Engineer		
 DATE: June 2019		 DATE: June 2019		

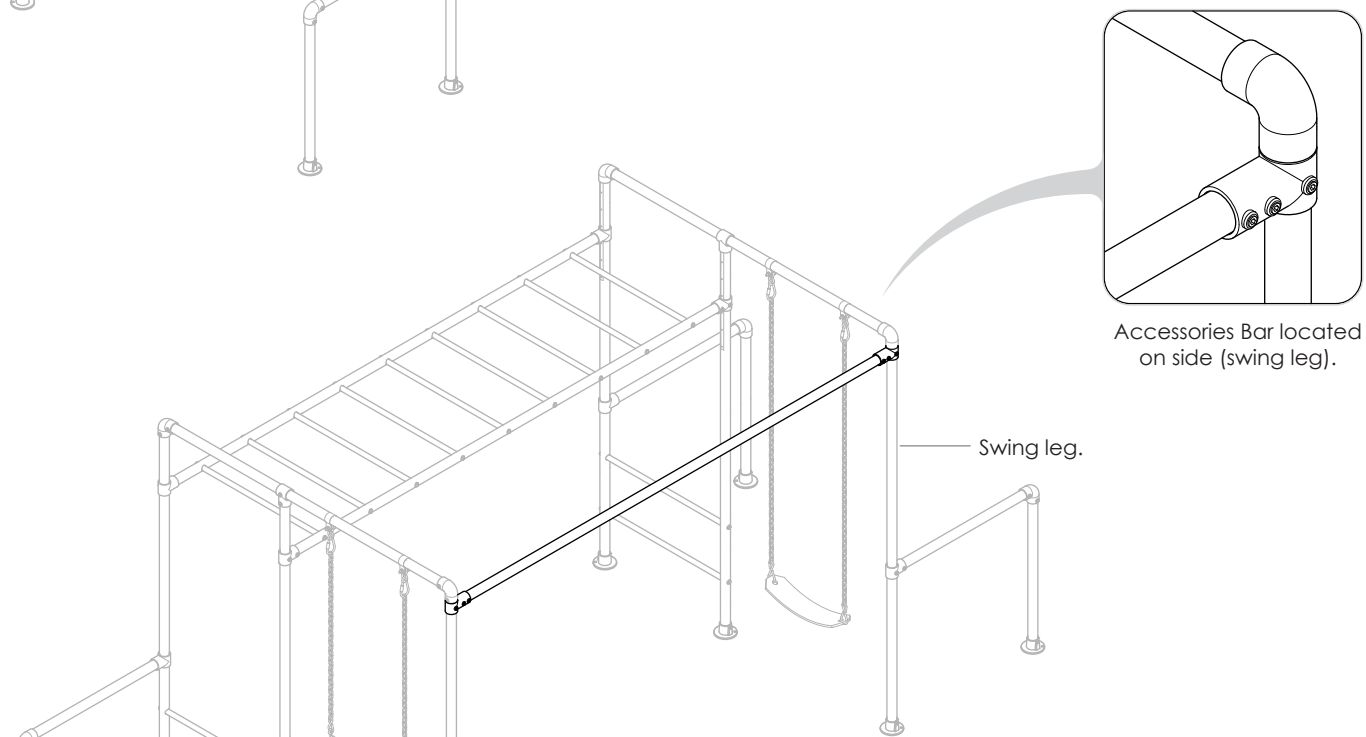
ASSEMBLY INSTRUCTIONS - ORIENTATION

1 SELECT DESIRED ORIENTATION OF ACCESSORIES BAR (A OR B)

(Assembly for orangutan shown in example)



ACCESSORIES BAR POSITION A.



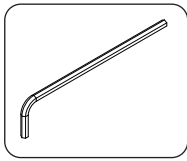
ACCESSORIES BAR POSITION B.

NOTE:

For the following assembly instructions, accessories bar position A will be used as the example with notes supplied for position B.

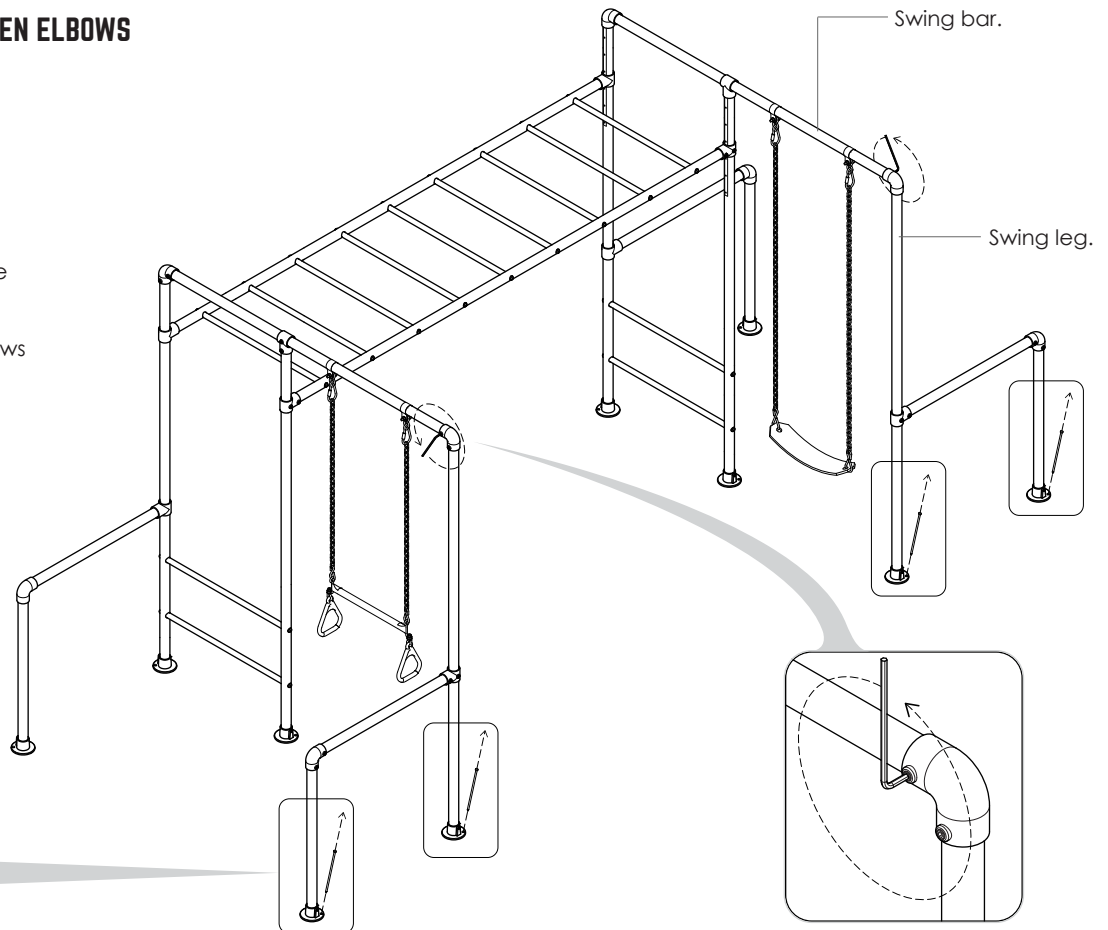
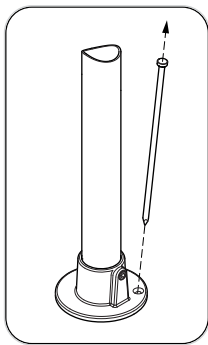
ASSEMBLY INSTRUCTIONS - FRAME PREPARATION

2 REMOVE PEGS & LOOSEN ELBOWS



Remove pegs from base plates on selected accessories bar side. Loosen elbow grub screws connecting swing legs to swing bar.

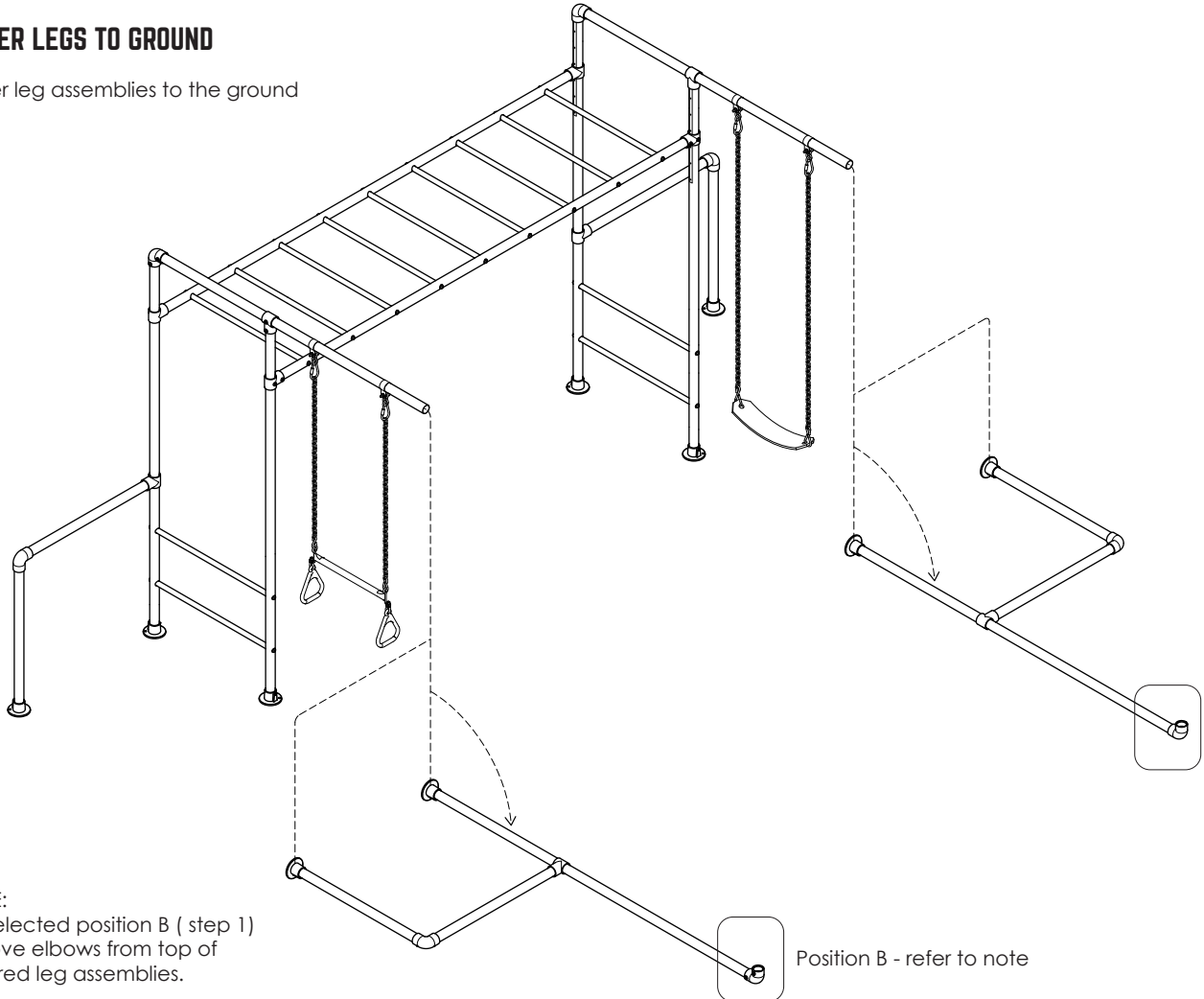
Remove pegs.



Loosen elbow grub screws.

3 LOWER LEGS TO GROUND

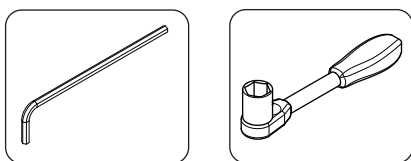
Lower leg assemblies to the ground



NOTE:
For selected position B (step 1)
remove elbows from top of
lowered leg assemblies.

Position B - refer to note

4 ASSEMBLE ACCESSORIES BAR



1. Space swing hooks if applicable along accessories tube as determined by your purchased components.

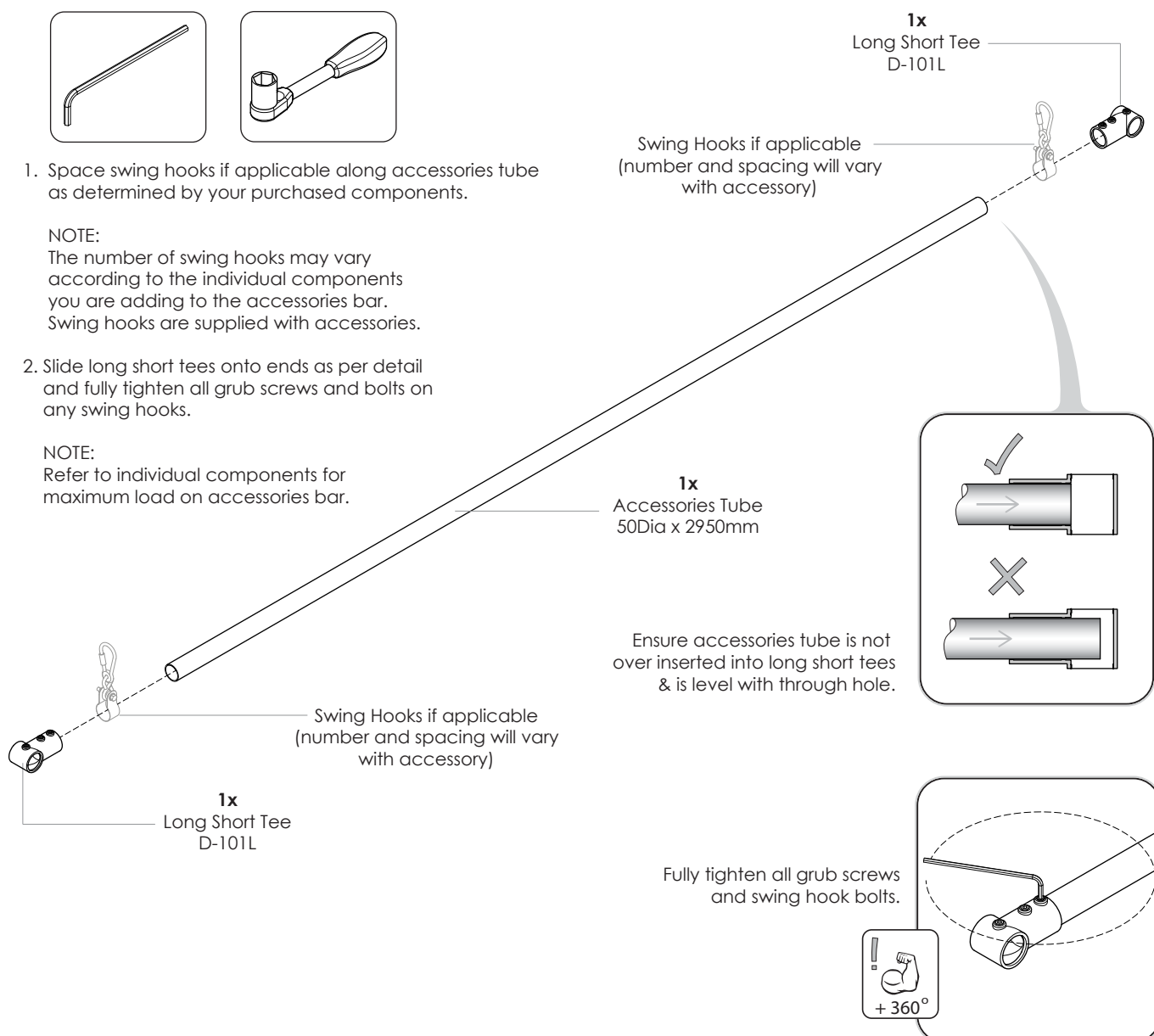
NOTE:

The number of swing hooks may vary according to the individual components you are adding to the accessories bar. Swing hooks are supplied with accessories.

2. Slide long short tees onto ends as per detail and fully tighten all grub screws and bolts on any swing hooks.

NOTE:

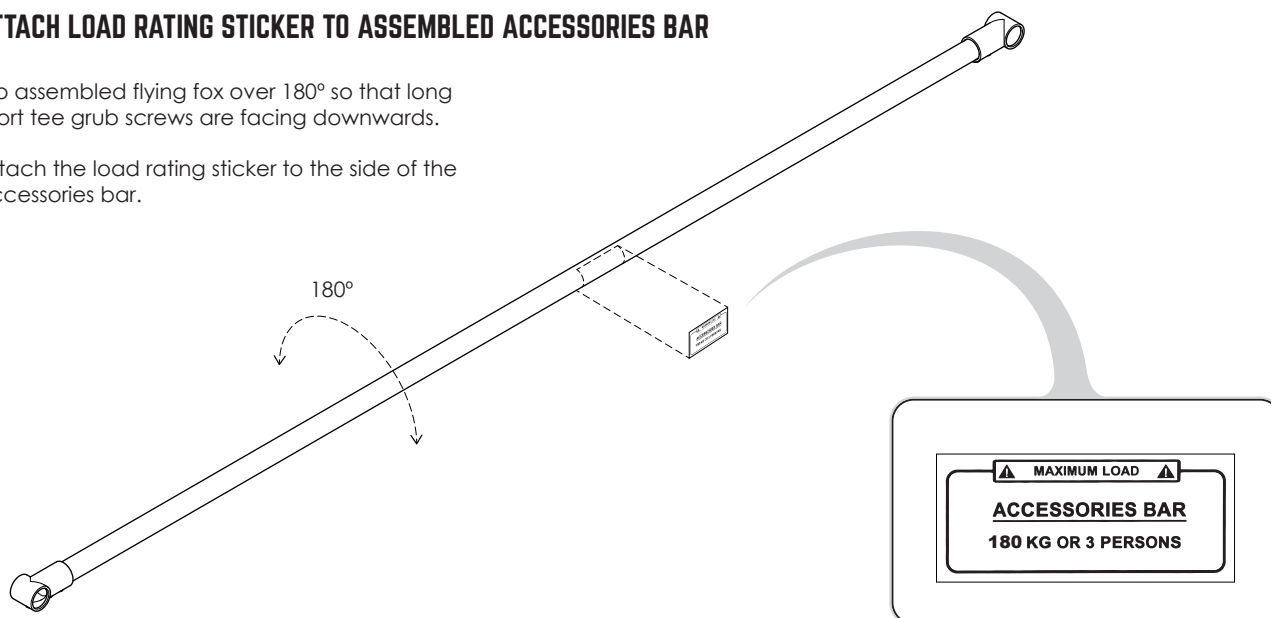
Refer to individual components for maximum load on accessories bar.



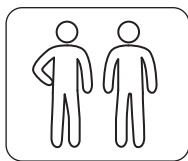
5 ATTACH LOAD RATING STICKER TO ASSEMBLED ACCESSORIES BAR

Flip assembled flying fox over 180° so that long short tee grub screws are facing downwards.

Attach the load rating sticker to the side of the accessories bar.

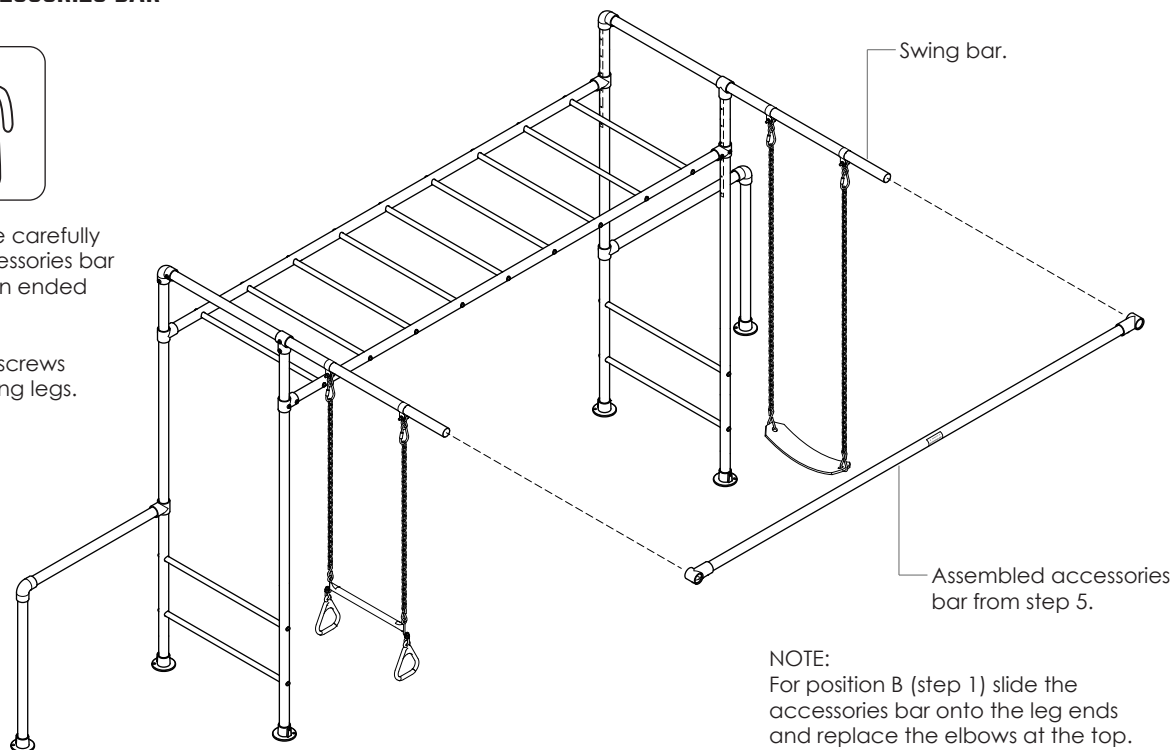


6 ATTACH ACCESSORIES BAR



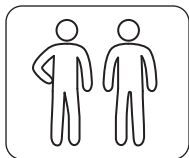
With 2 people carefully slide the accessories bar onto the open ended swing bars.

Tighten grub screws after reinstalling legs.



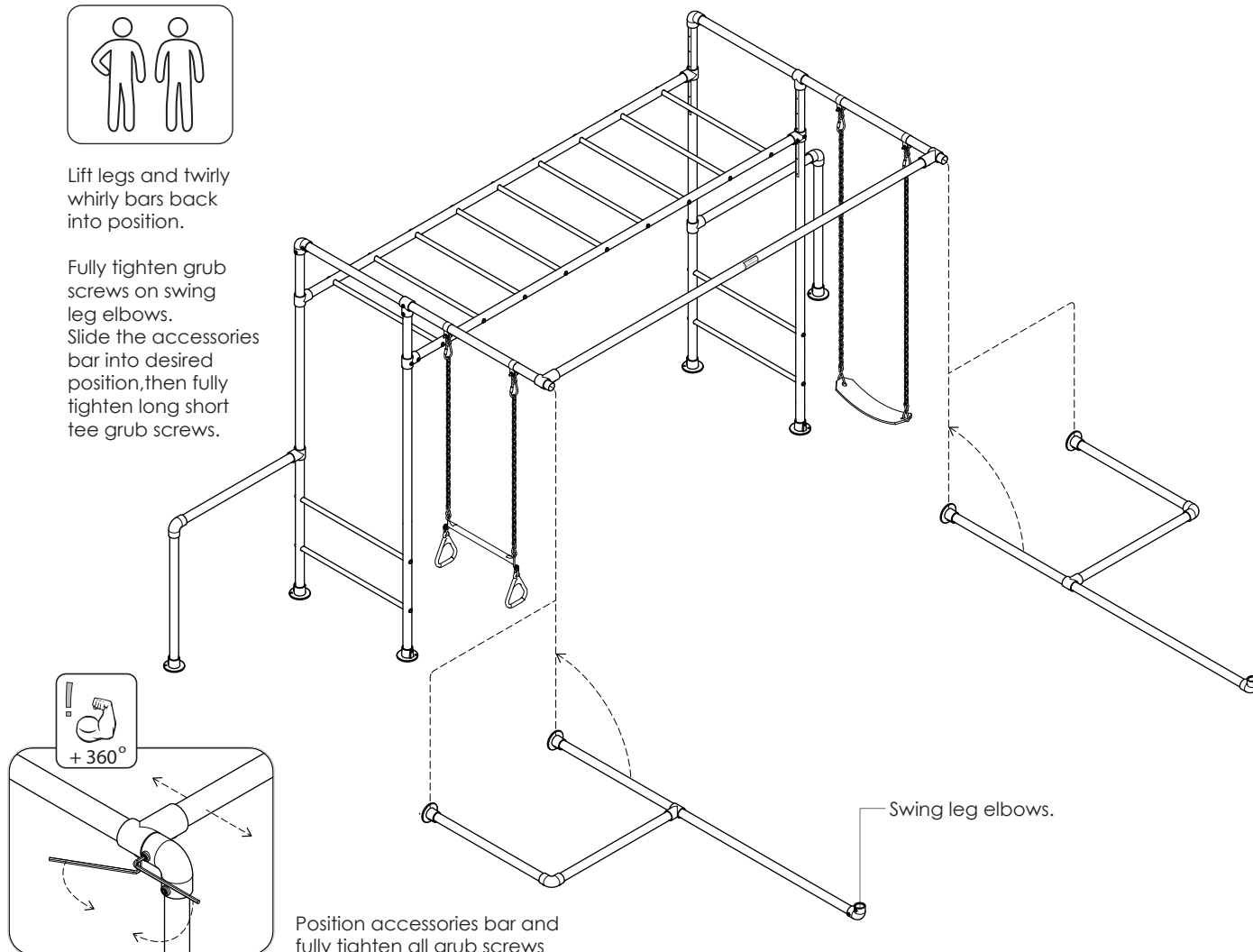
NOTE:
For position B (step 1) slide the accessories bar onto the leg ends and replace the elbows at the top. Fully tighten all grub screws

7 RE-ATTACH SWING BAR LEGS

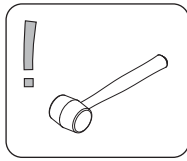
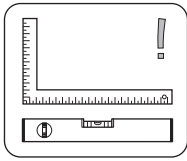


Lift legs and twirly whirly bars back into position.

Fully tighten grub screws on swing leg elbows. Slide the accessories bar into desired position, then fully tighten long short tee grub screws.

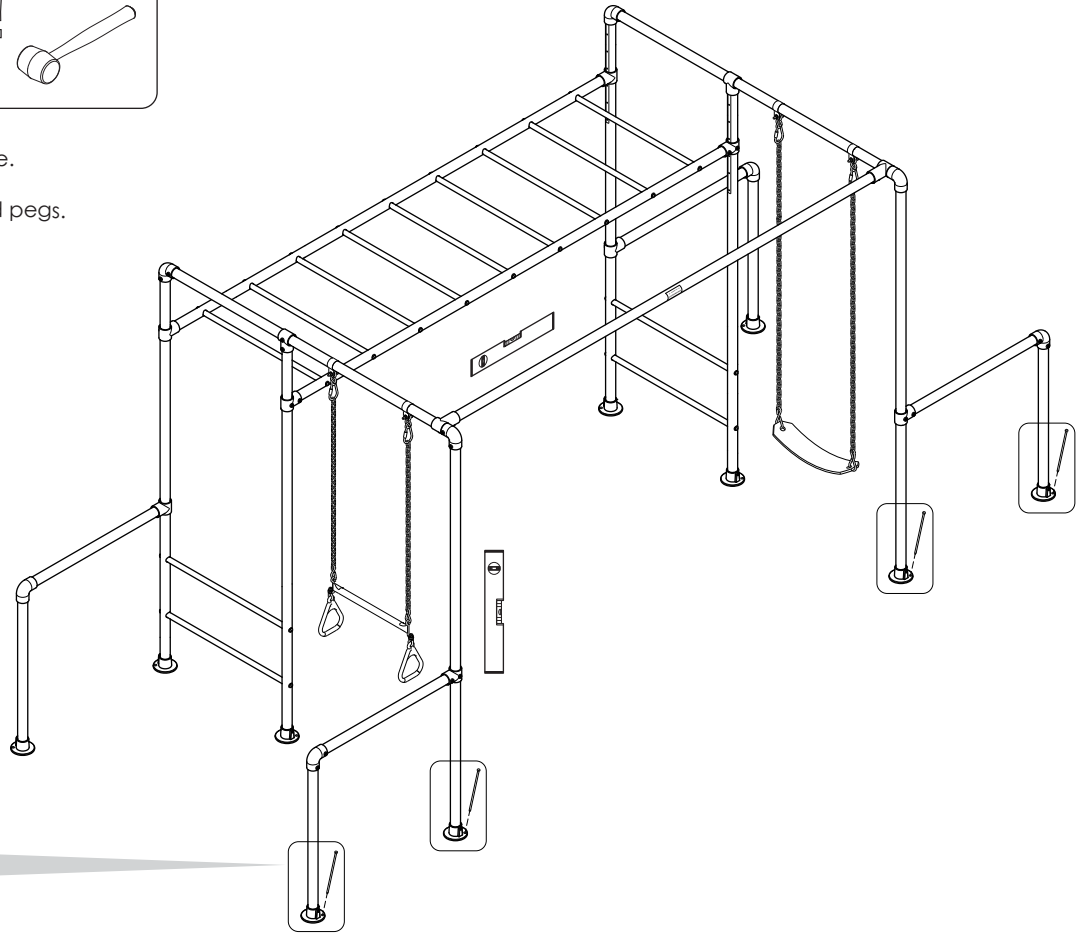
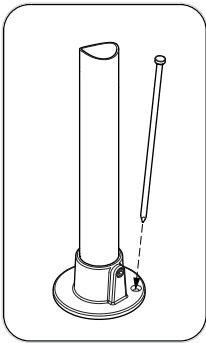


8 SECURE TO GROUND

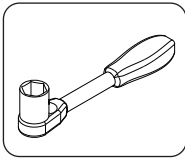


1. Check level and square.
2. Hammer in all removed pegs.

Hammer in pegs.

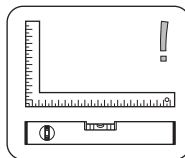
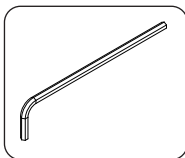


9 ATTACH ACCESSORIES (IF APPLICABLE)



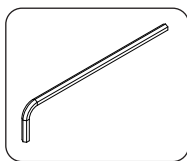
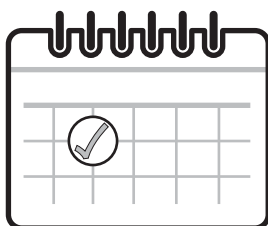
Attach new accessories in desired position (if applicable) and tighten swing hook bolts with ratchet. Refer to individual accessory assembly instructions for details.

10 CHECK ALL FITTING GRUB SCREWS & RUNG BOLTS ARE FULLY TIGHTENED



1. Ensure frame is square and level.
2. Firmly tighten all grub screws and bolts.

11 MAINTENANCE.



At the beginning of each heavy play session (especially a party) and twice a month during play season ensure;

1. Tighten all hardware - grub screws, nuts and bolts.
2. Pegs are in place and fully secure.
3. Lubricate all metallic moving parts with WD40 or Vaseline - (trolley and swing hooks.)
4. Ensure your frame is level and square.

FAILURE TO DO SO COULD RESULT IN SERIOUS INJURY OR DEATH.

**FOR MORE INFORMATION AND ASSEMBLY TIPS
PLEASE REFER TO OUR WEBSITE VIDEO INSTRUCTION SECTION AT
[HTTP://WWW.FUNKYMONKEYBARS.COM/PAGES/VIDEOS](http://www.funkymonkeybars.com/pages/videos)**

12 HAVE FUN





ABN 72 164 496 520



1300 912 198



info@funkymonkeybars.com



www.funkymonkeybars.com



9 Cutting Way,
Yangebup WA 6164



WE ARE SOCIAL MONKEYS



Australian Government
IP Australia

All Funky Monkey Bars® designs are registered and protected under IP Australian certification.