

FUNKY MONKEY bars[®]

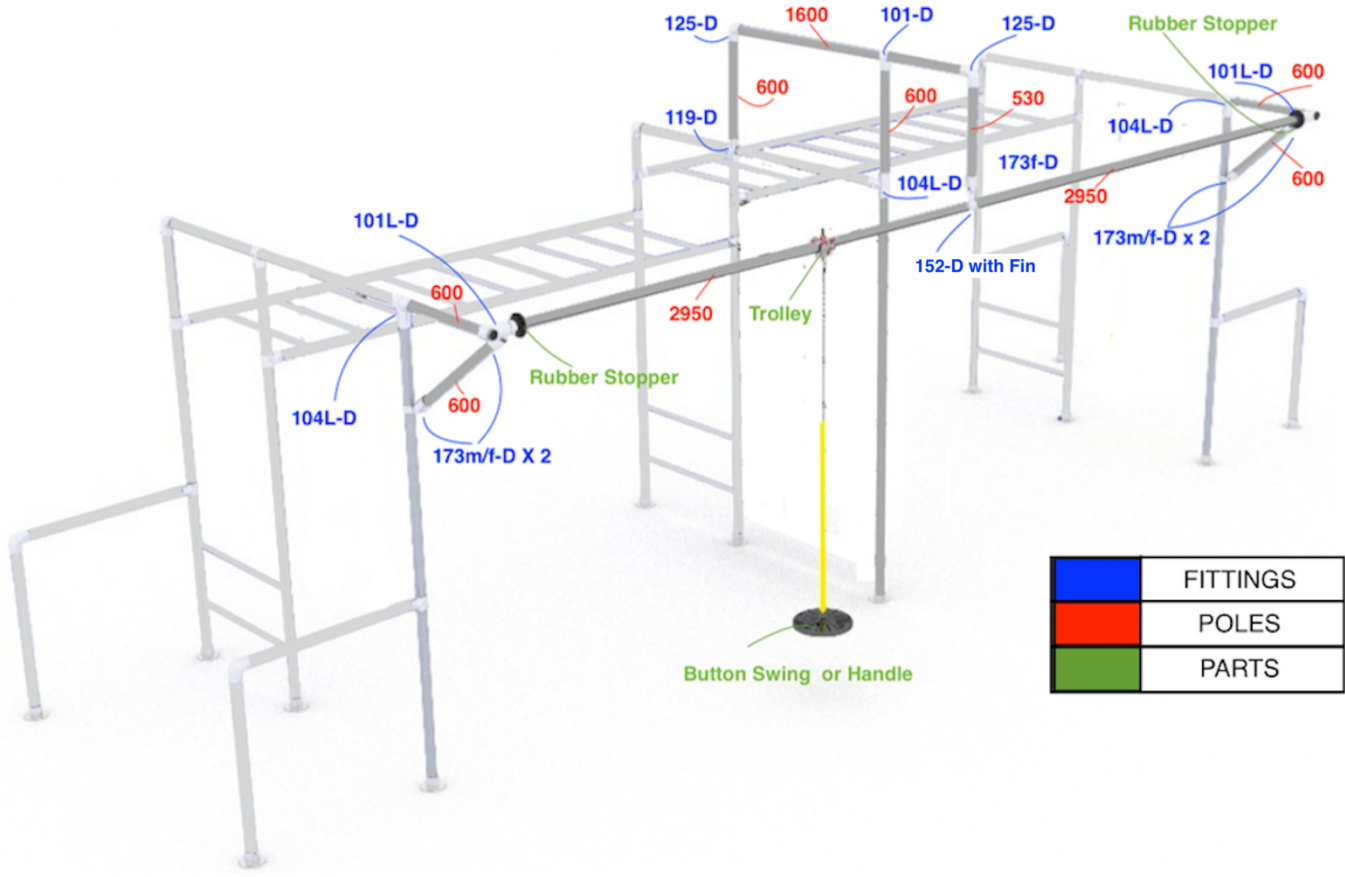


6 metre Floating Flying Fox

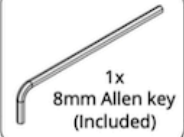







ASSEMBLY INSTRUCTIONS

For Button Swing or Flying Fox Handle

Assembly Tips

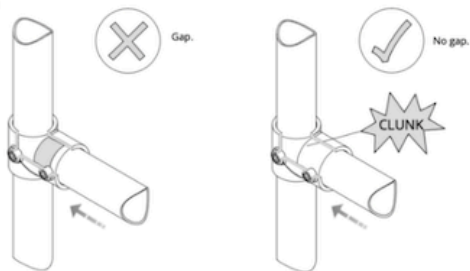


TOOLS REQUIRED FOR INSTALLATION

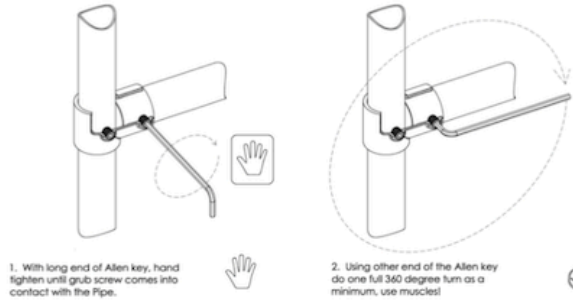
 1x 8mm Allen key (Included)	 1x Soft Hammer (Not included)	 1x 17mm Ratchet (Not included)	  1x masonry bit 1x 8mm Hex bit (Not included)
 1x String Line (Not included)	 1x Tape Measure (Not included)	 1x Spirit Level (Not included)	

CORRECT INSERTION INTO FITTINGS - (indicative diagram shown)

All tubes must be fully inserted until contact is made with adjoining tube.






CORRECT TIGHTENING METHOD OF GRUB SCREWS - (indicative diagram shown)





THE 6M FLOATING FLYING FOX WITH BUTTON SWING OR HANDLE		
BOX CODE	BOX QUANTITY	PART QUANTITIES & DESCRIPTION
N1 or N2	1	1x FFF Trolley & Button Swing (N1) OR Handle (N2)
Q14	1	2 x 104L-D, 4 x 173m/f-D, 2 x 101L-D 2 x end caps
Q39	1	1 x 104L-D, 1 x 119D, 1 x 152-D with Fin 1 x 173f-D
M02	1	4 x silver 48 dia 600mm lasered poles
M01	1	2 x silver 48 dia 600mm lasered poles
F06	1	2 x silver 48 dia 2950mm lasered poles
F09	1	1 x silver 48 dia 1600mm pole
I04	1	1 x silver 48 dia 530mm pole

	FITTINGS
	POLES
	PARTS



IMPORTANT: CAREFULLY READ ALL INFORMATION IN THIS SECTION BEFORE INSTALLING AND USING YOUR FUNKY MONKEY BARS®

WARNINGS & DISCLAIMERS

Failure to follow the information in this on-line instruction and manual as stated may result in serious injury and property damage and will void warranty

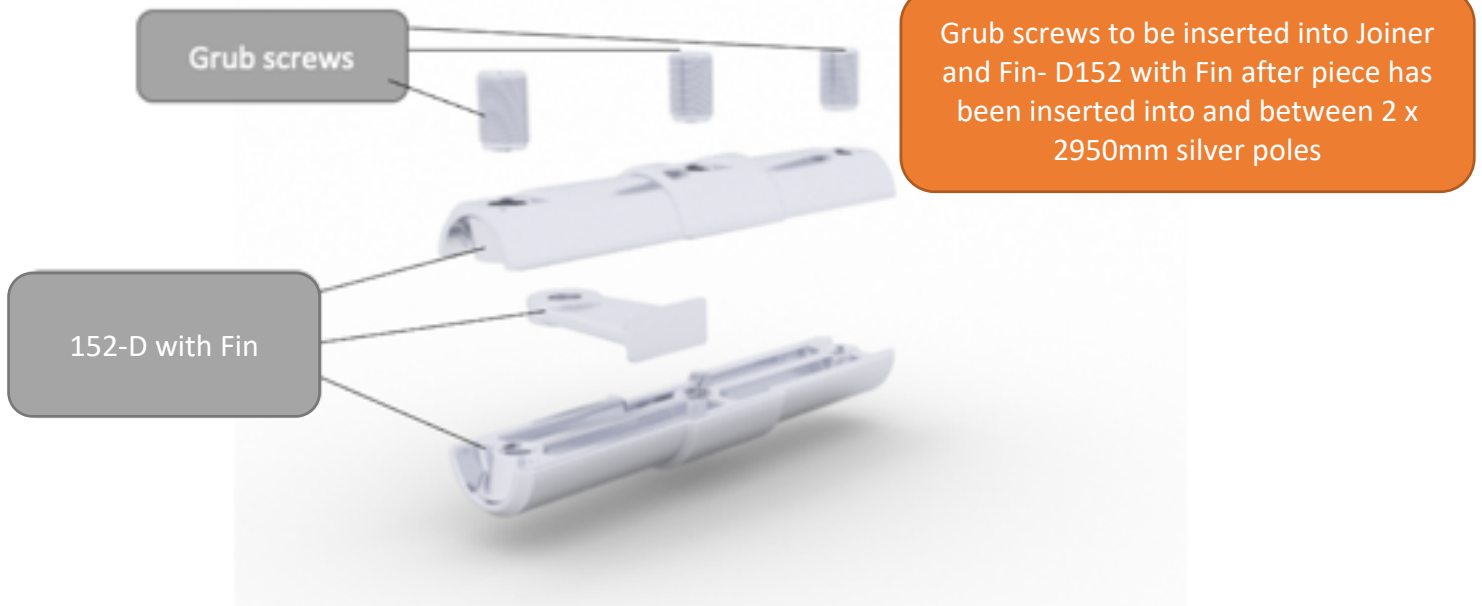
To ensure your children's safety, do not attempt to assemble or install your Funky Monkey Bar without following these instructions carefully. Assembling and configuring your Funky Monkey Bar differently to these instructions will increase the risk of accident or injury and will completely void your warranty.

A high probability of serious injury exists if this product is not installed, maintained and operated correctly. Reading the following information will limit the likelihood of serious or fatal injury.

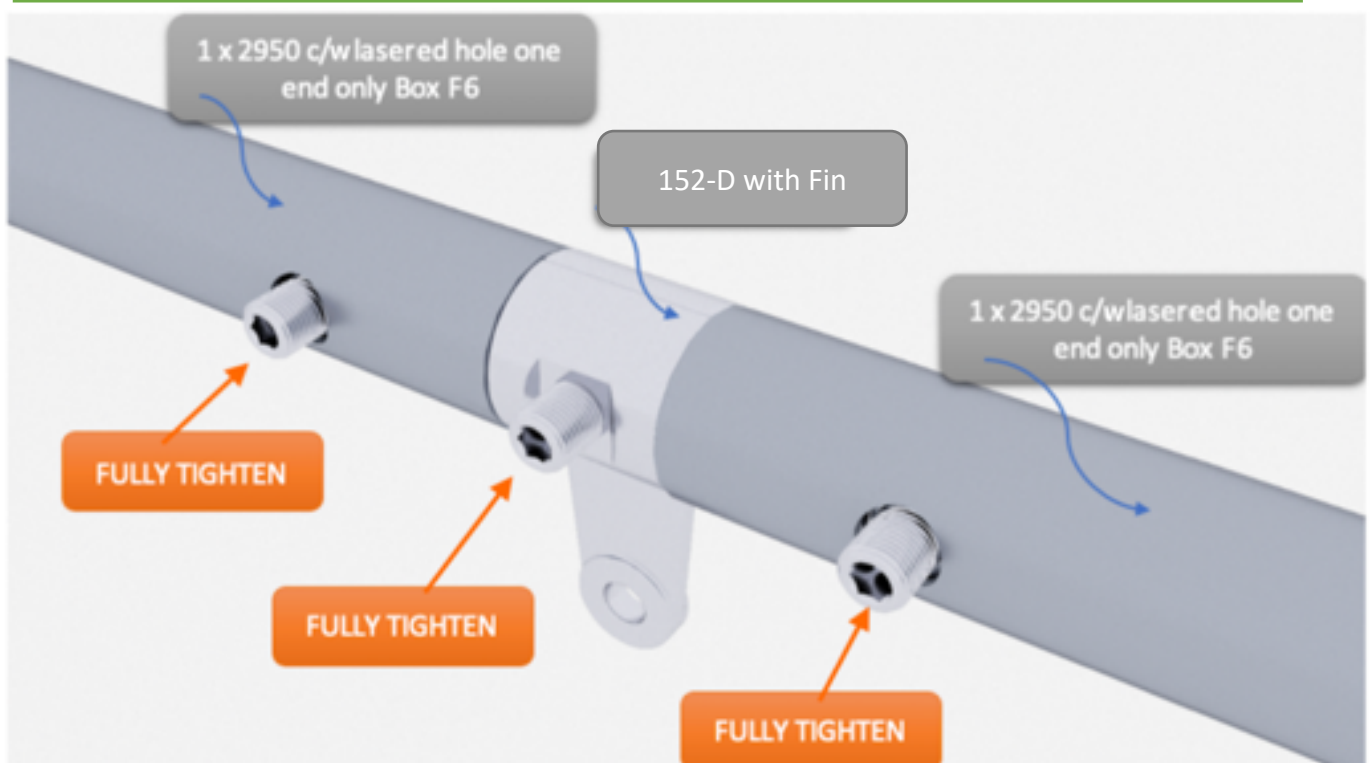
Any person handling, supervising or using Funky Monkey Bars® products must follow all instructions as described in this manual. The person/s in charge of assembling this equipment must follow all steps within this manual and ensure that the recommendation for use is read and understood before commencing installation. The person in charge of supervising the use of equipment must ensure that the recommendations for use given in this manual is read and fully explained to all users.

THE JOINER

Assemble the Joiner and Fin-D152 with Fin as shown below. The 3 x grub screws are to be inserted only once the Joiner and Fin is inserted inside and between the 2 x 2950 silver poles.



Join 2 x 2950 silver poles found in Box F06
(c/o steel fitting 152-D with Fin – found in Box Q39)



THIS IS YOUR NEW 6M FLOATING FLYING FOX

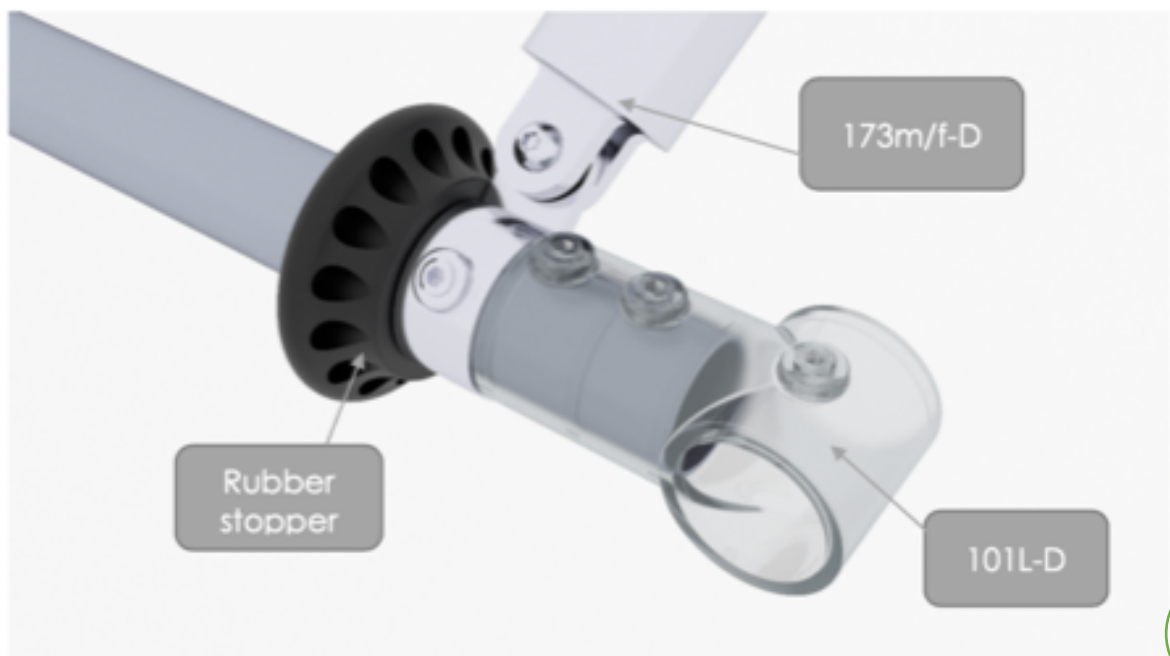
6m Floating Flying Fox Pole

On each of the ends of your new 6m flying fox pole, install the following fittings:

- 101L-D – found in Q14 box
- 173m/f-D – found in Q14 box
- Rubber stopper – found in N1/N2 box



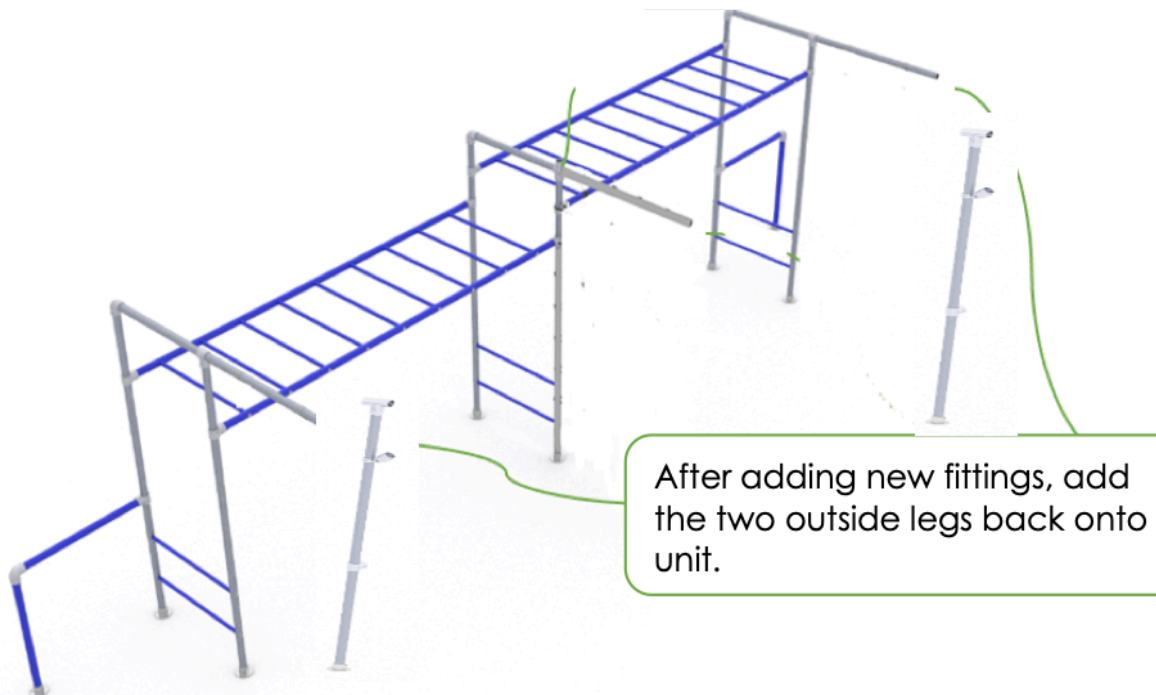
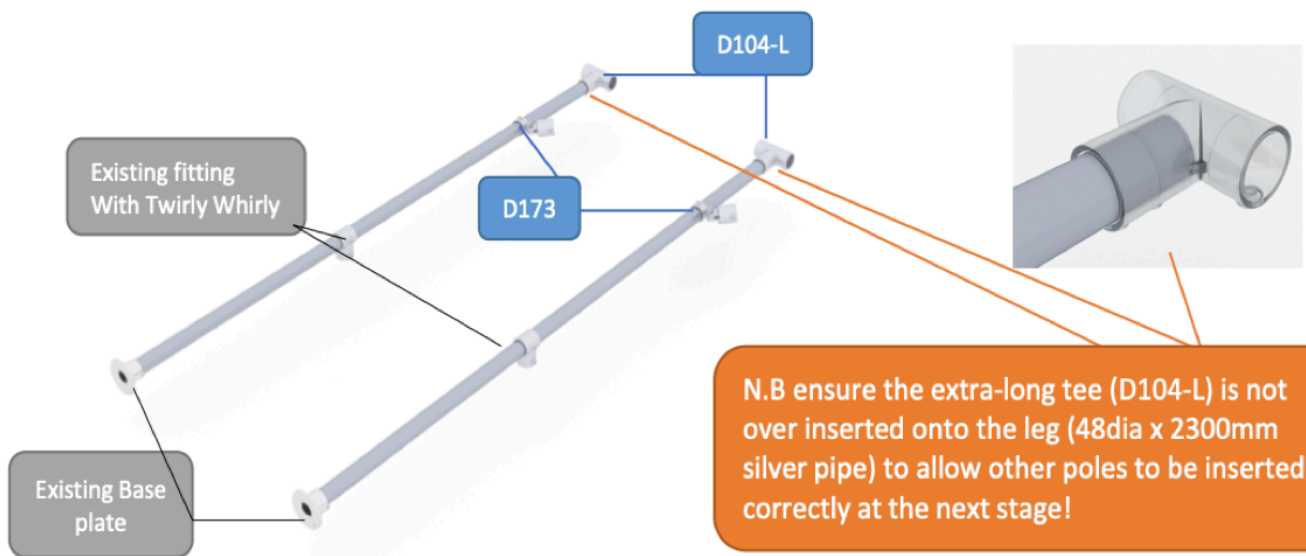
Slide 1 x flying fox trolley, 1 x rubber stopper, 1 x D173 swivel joint & 1 x 101L-D on to one end of the assembled 6m pipe. Slide 1 x rubber stopper, 1 x 173m/f-D swivel joint & 1 x 101L-D on the other end of the assembled 6m pipe.



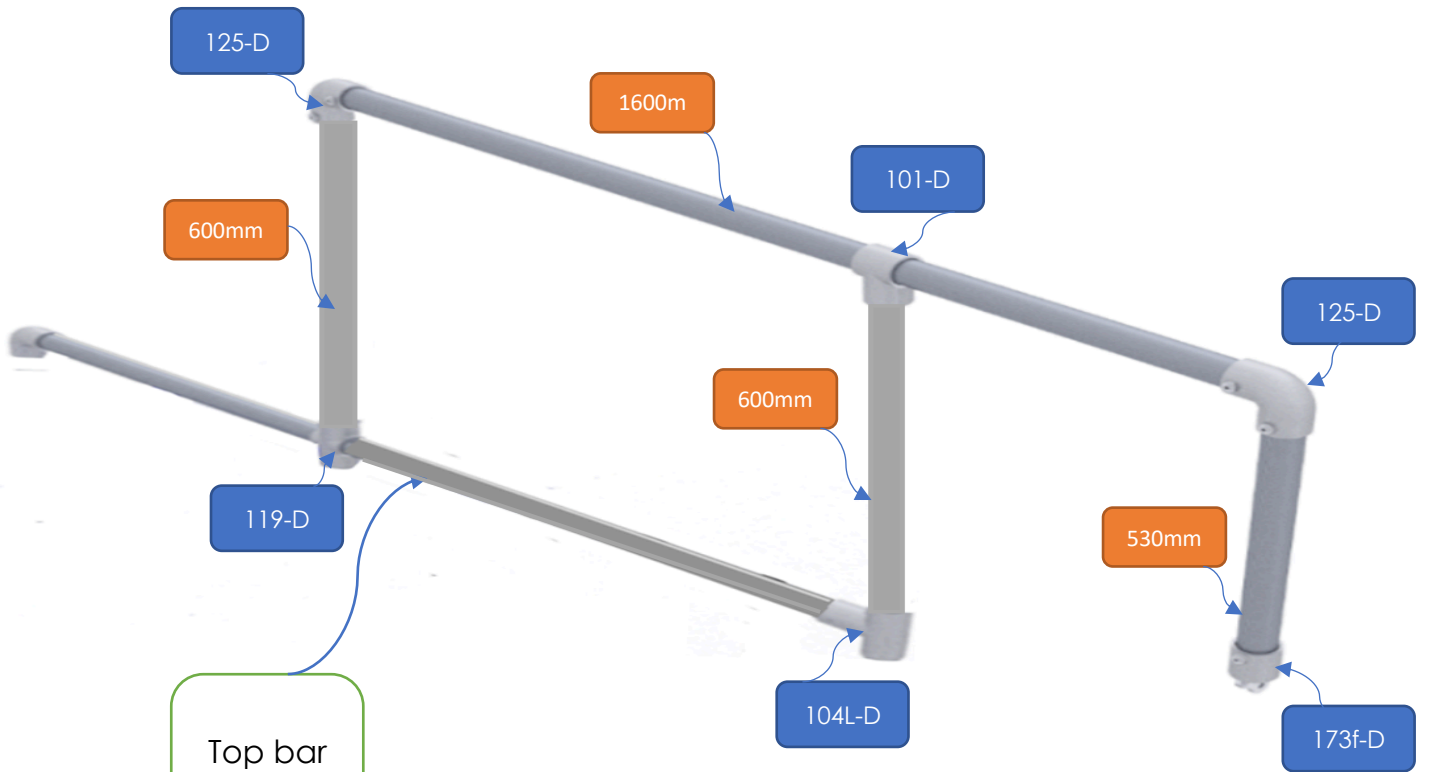
Replace 2 x outside legs with new fittings

Lay existing legs (48dia x 2300mm length silver pipe) on a flat surface – there will be an existing 1 x short tee D101 & 1 x base plate on each pipe. Slide 1 x D173 – swivel brace & then 1 x D104-L – extra-long tee, onto the top of each leg.

Locate these fittings in an approximate position and loosely tighten so they do not slide along the pipe when re-attaching to the unit

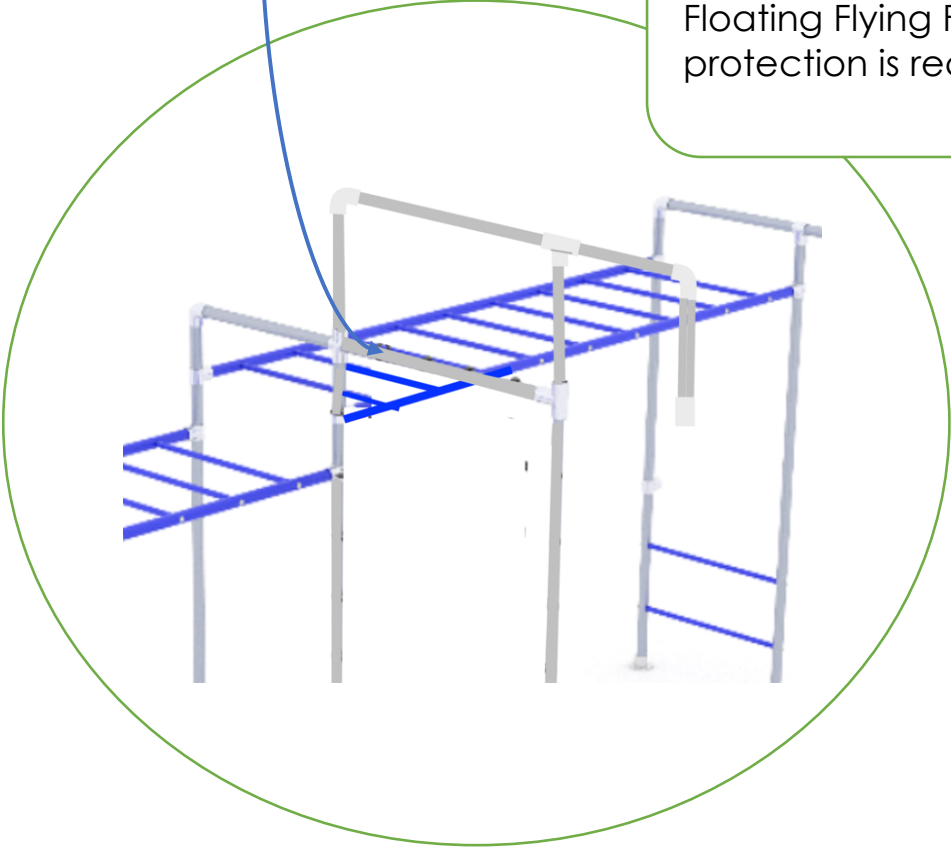


Assembly of Top Supporting Bracket

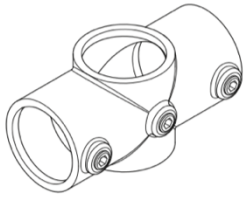


Top bar is in situ

Assemble together the top supporting bracket for the 6m Floating Flying Fox pole – Head protection is recommended.

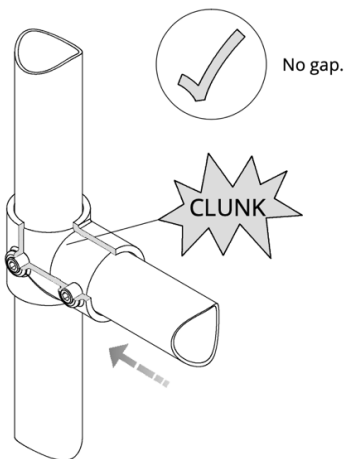
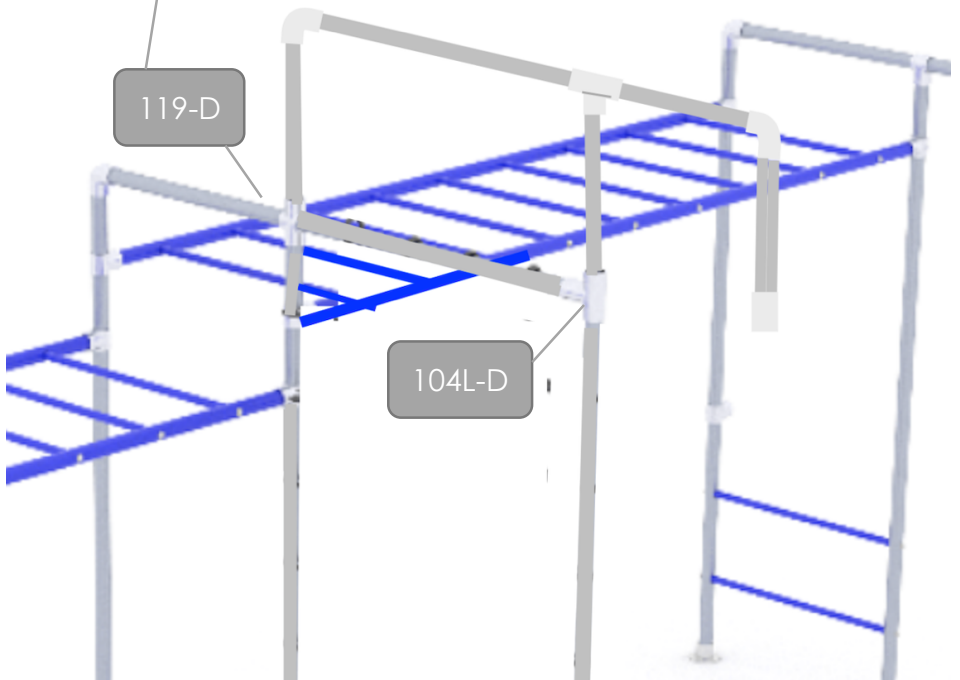
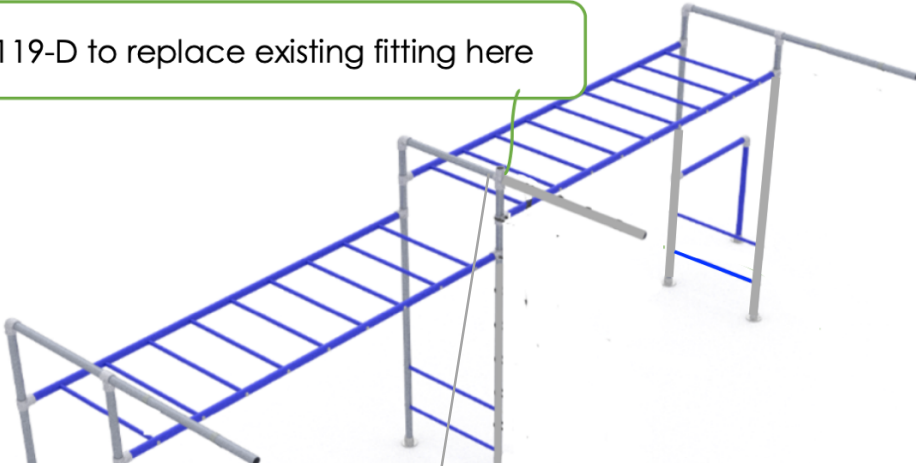


Installing the Top Supporting Bracket to existing Top Swing Frame Bar



Make sure the new fitting 119-D is in place as shown, before installing the supporting bracket on to the existing frame.

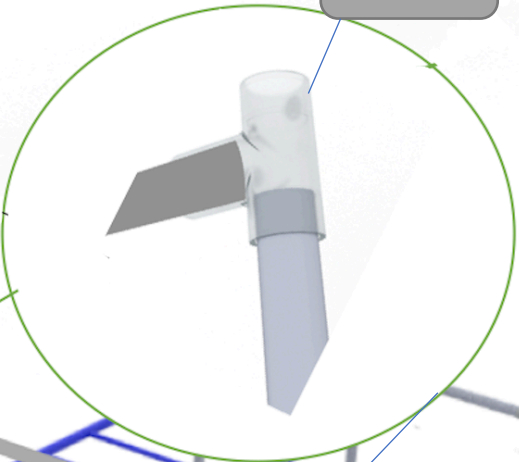
New fitting 119-D to replace existing fitting here



Two People - Using a step ladder, fully insert the assembled top supporting bracket. Place the 600mm silver pole ends into the 119-D fitting and the 104L-D fitting. Ensure you hear the clunk noise as the poles touch inside the fittings and fully tighten the grub screws. **Head protection is recommended.**

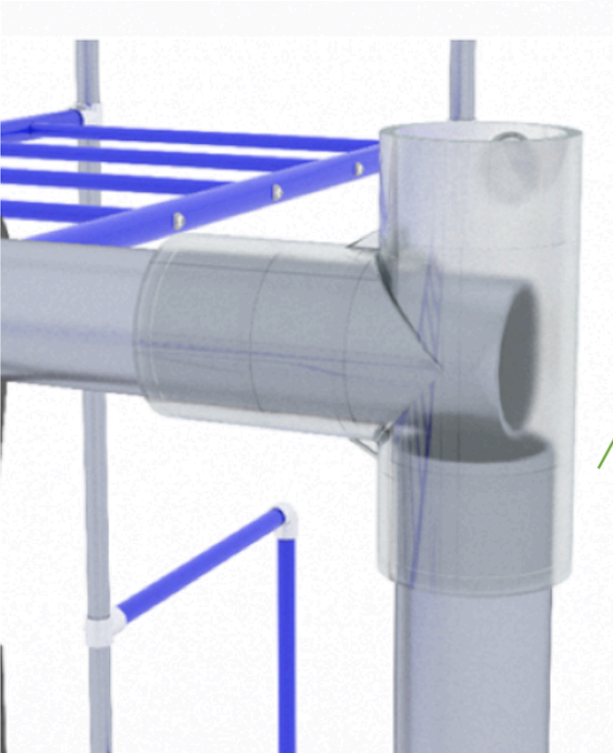
Middle Leg and new fitting

104L-D

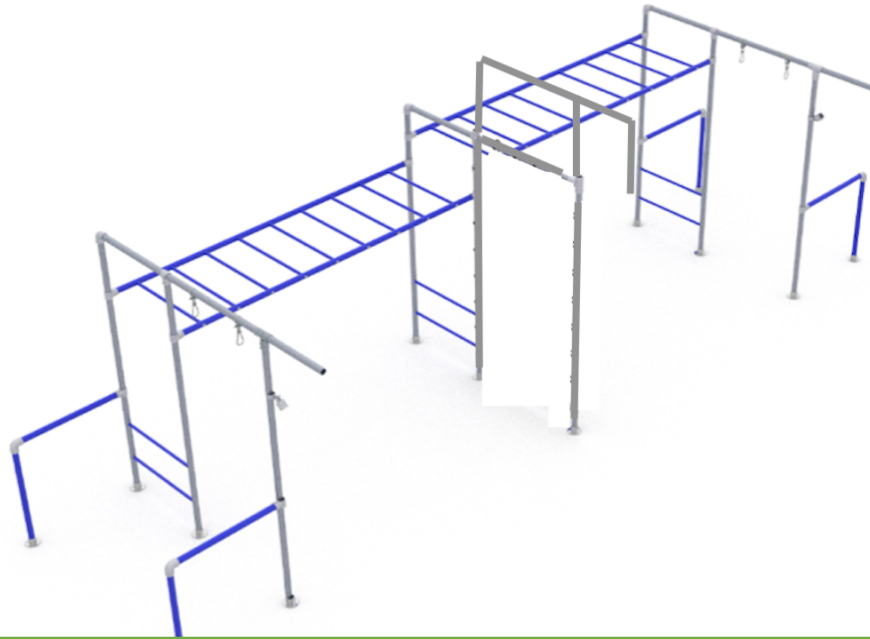


Slide existing middle leg into new fitting 104L-D already attached to top existing horizontal swing frame bar.

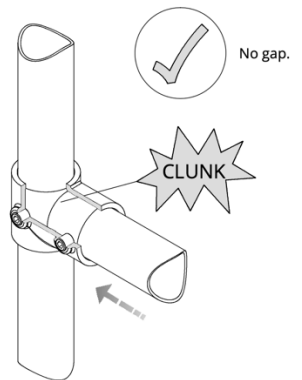
Ensure pipe is fully inserted into the connection 104L-D and fully tighten.



Assembly and Install of the 6m Floating Flying Fox Braces



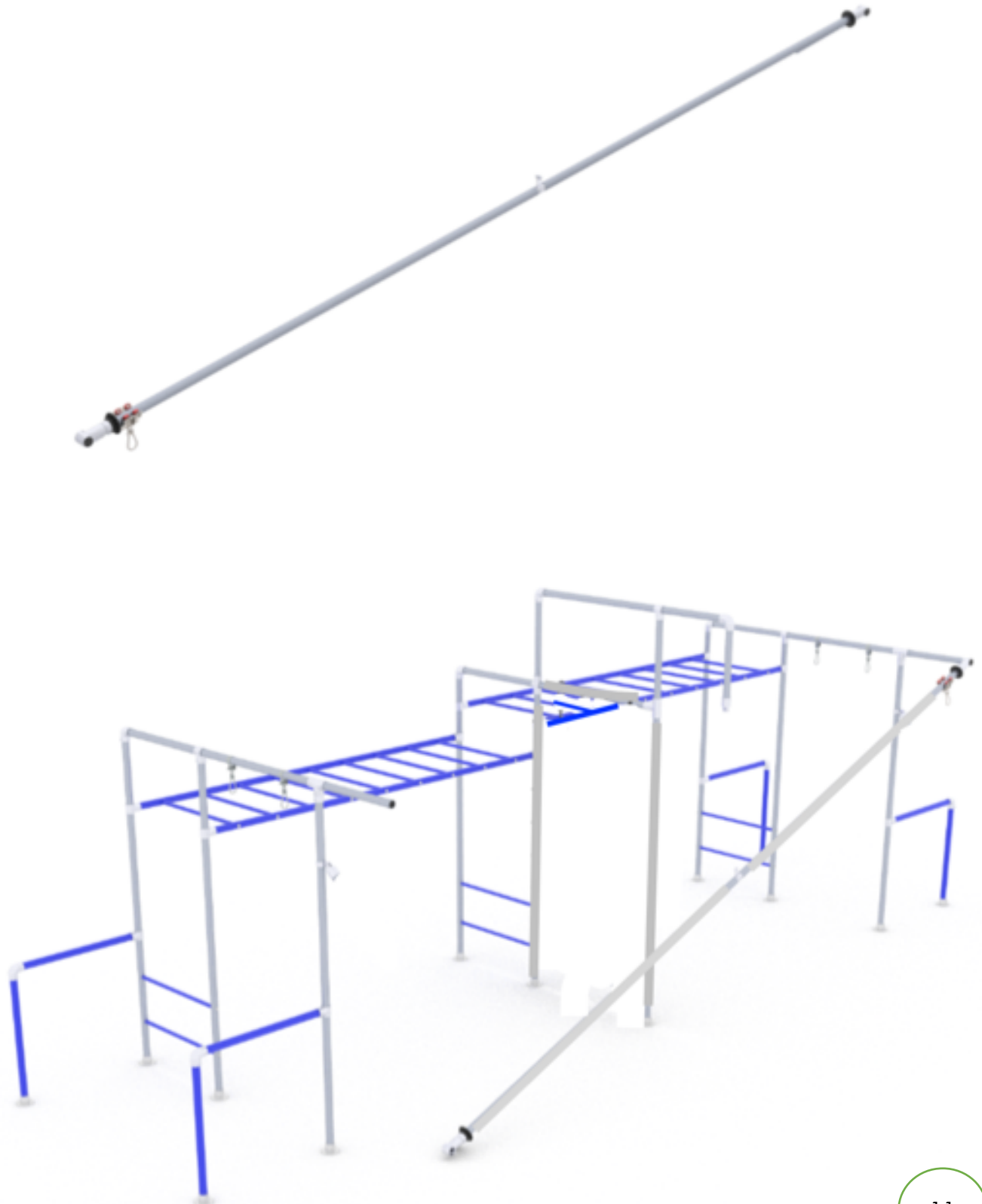
Fully insert 2 x 48dia x 600mm silver pole – brace parts, into each 104L-D on the outside Legs.



Ensure the pipes
make a clunk
sound.
Fully tighten

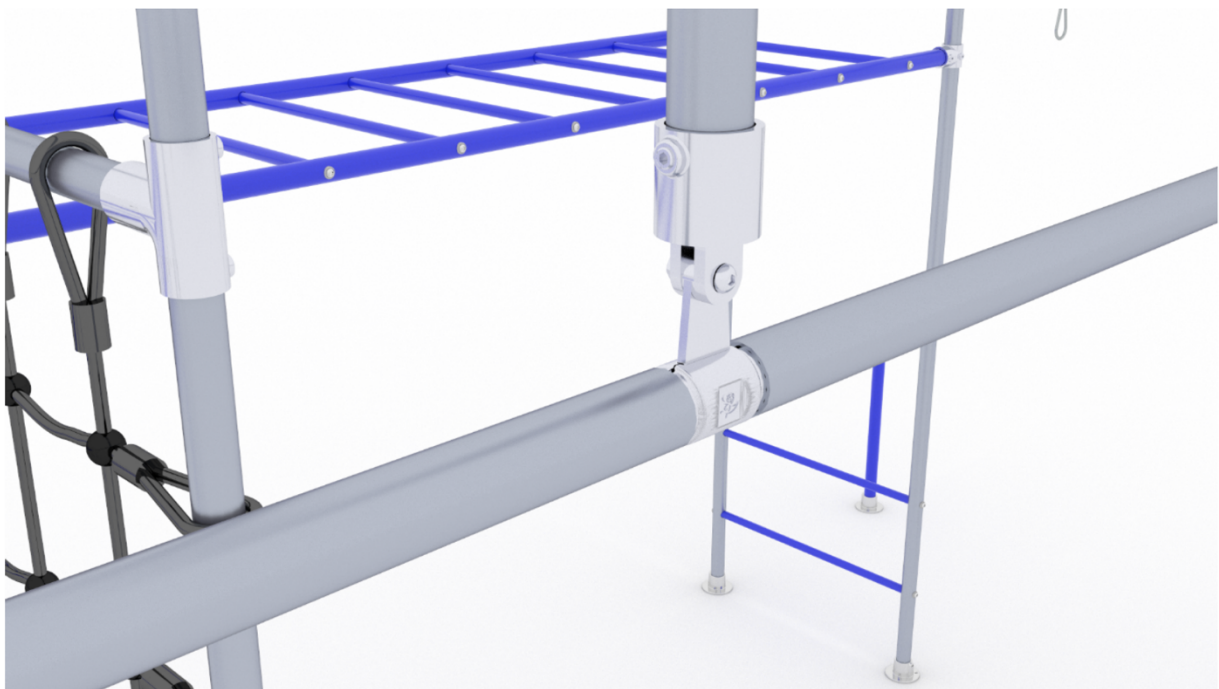
Attaching the 6m Floating Flying Fox Pole

Secure the Trolley so it does not slide back and jam the fingers. Using 2 people, turn the pipe over so the Fin on the centre Joiner connection is facing downwards. Carefully lift the 6m pole and assembled pieces and slide one end onto 1 x 48x600mm brace pipe. See image below. **Head protection is recommended.**

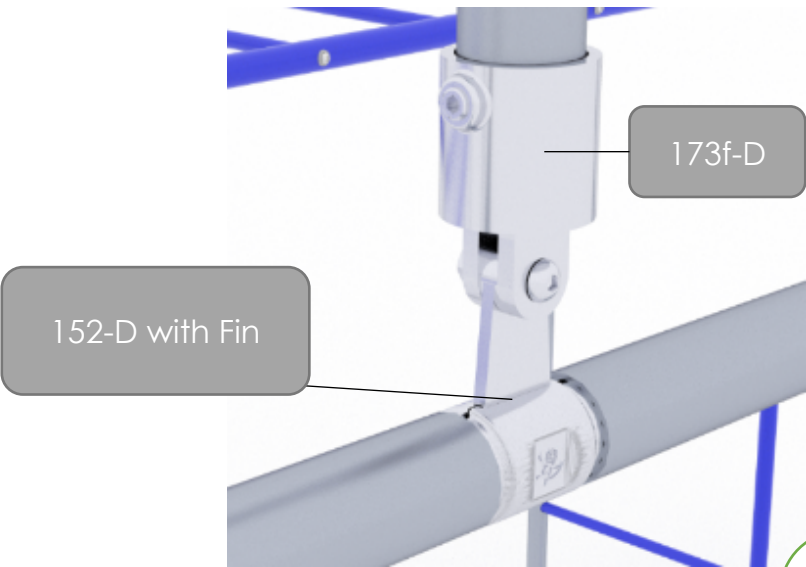


Assembly of 6m Floating Flying Fox Pole onto Support Bar and Fin into Connection

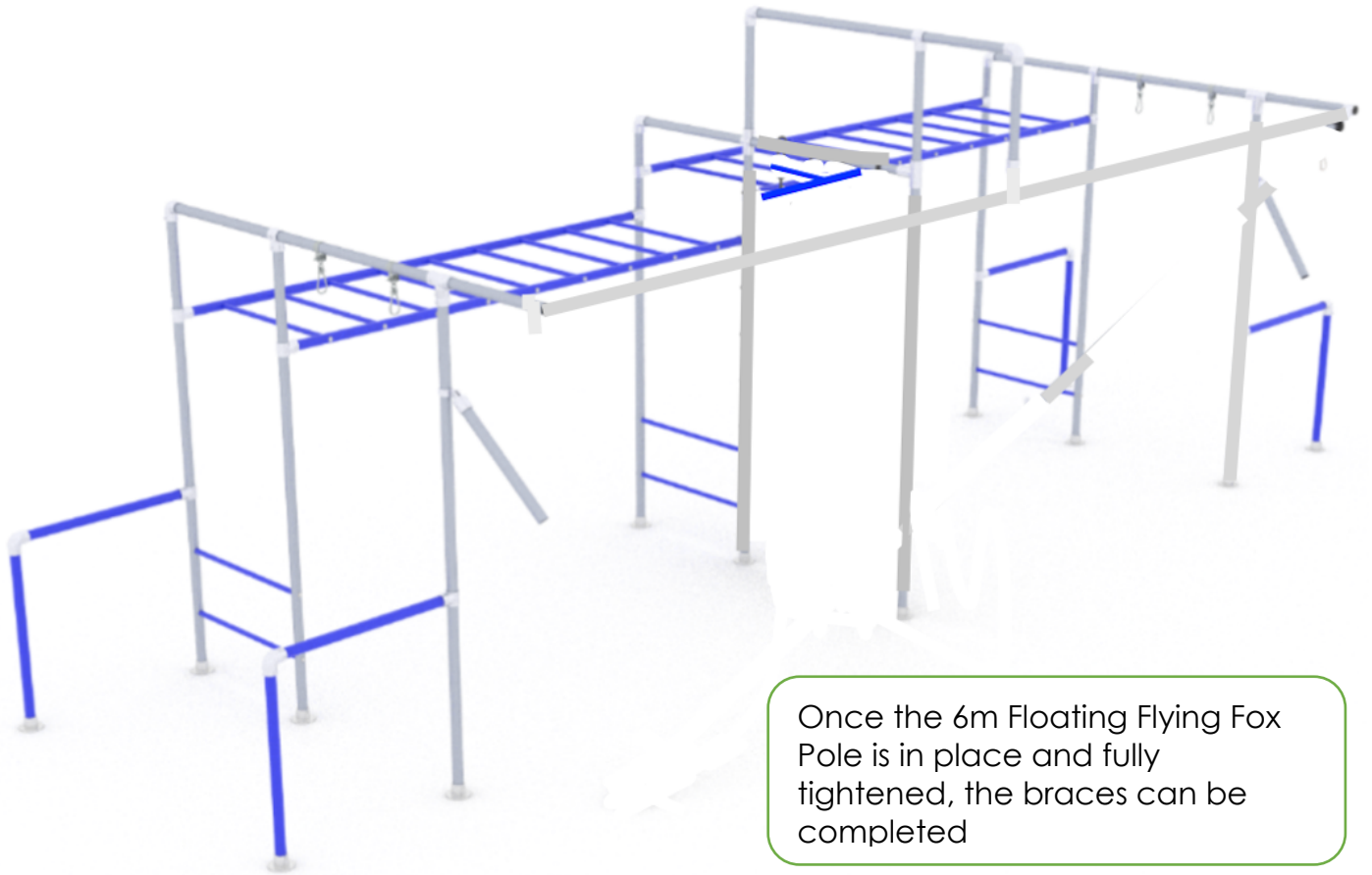
Two people will be needed to lift the 6m Floating Flying Fox Pole and secure into position.
Head protection is recommended



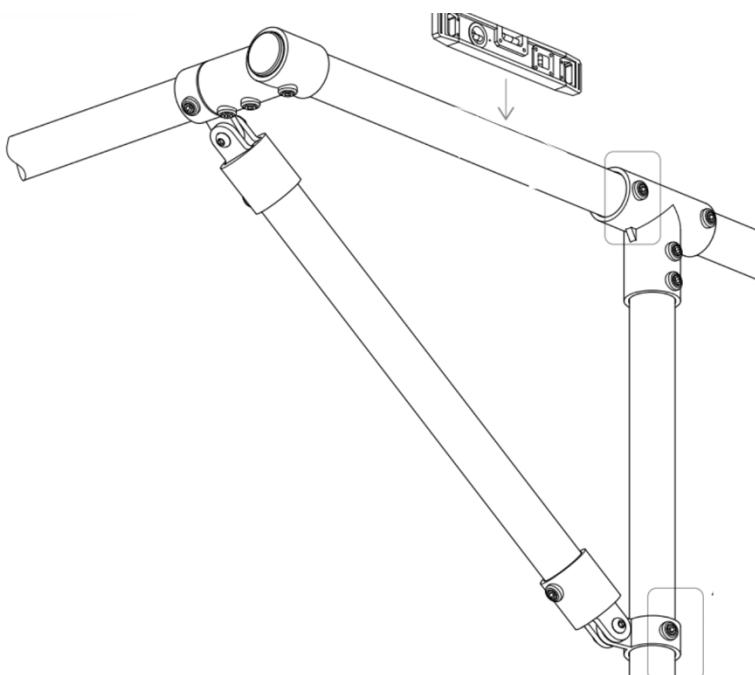
Slide the 173f-D -Fin into the 173f-D connection. Insert bolt and tighten.



Floating Flying Fox Braces



Once the 6m Floating Flying Fox Pole is in place and fully tightened, the braces can be completed



Taking the 2 remaining 48dia x 600mm poles, insert into the 173m/f-D fittings on the outside legs. Loosely tighten. Insert the other end into the second 173m/f-D fitting on the 6m floating flying fox pole. Loosely tighten. Ensure all poles are fully engaged into the fittings and tighten.