

Type: KBM 32 Q (60Hz, 120V)
Part no.: 72702709368



Item	Part no.	Designation	Quantity	Price (excl. VAT)¹	Status
10	31901107022	Motor housing	1	\$51.61	
20	51271003369	Stator	1	\$114.17	
30	43070004001	Screw	2	\$0.99	
40	31428112006	Air guide ring	1	\$3.07	
50	53271007360	Armature	1	\$239.90	
52	41701001172	Grooved ball bearing	1		
53	32416100000	Plate	1		
54	41701007050	Grooved ball bearing	1	\$15.83	
55	32612062001	Sealing ring	1	\$5.94	
100	31506370018	Intermediate bearing	1	\$211.46	
102	40608066005	Sealing ring	1	\$4.48	
103	41705038005	Needle sleeve	1	\$21.51	
104	41701001010	Grooved ball bearing	1	\$7.14	
140	43070007002	Screw	6	\$0.73	
145	40611007008	Sealing ring	4		
150	30712095020	Brush holder 110-120V 50/60Hz	2	\$9.74	
160	30711131000	Carbon brush	2	\$25.00	
170	31428138005	Holder	1	\$10.99	
180	30717189002	Connector	2	\$1.04	
190	31201114002	Cover	1	\$13.02	
200	30723046019	Screw connection	1	\$39.74	
205	40612024009	Sealing ring	1	\$2.40	
210	31414060012	Protective hose	1	\$30.89	
220	30719593011	Connecting cable	2	\$10.16	

Type: KBM 32 Q (60Hz, 120V)
Part no.: 72702709368



Item	Part no.	Designation	Quantity	Price (excl. VAT)¹	Status
240	31509083002	Gearbox housing	1	\$187.34	
245	31509083011	Gearbox housing	1	\$416.67	
250	41701204010	Grooved ball bearing	1	\$7.19	
260	41701017059	Grooved ball bearing	1	\$35.52	
270	42616004000	Circlip	1	\$2.40	
280	33403105002	Shaft	1	\$245.63	
290	40238065002	Clamping sleeve	1	\$0.73	
300	30901353006	Spiral spring	1	\$4.75	
305	30901353015	Spiral spring	1	\$14.17	
310	30503145006	Sealing ring	1	\$3.65	
320	32408389000	Disc	1	\$1.35	
330	42616075007	Circlip	1	\$0.73	
340	41708025004	Ball	4	\$0.73	
350	30907063003	Spiral spring	1	\$6.82	
360	30232045005	Clamping sleeve	1	\$43.75	
380	42643009005	Circlip	1	\$3.54	
390	42616014009	Circlip	1	\$0.73	
400	40221028001	Feather key	1	\$4.58	
410	33663166008	Gear-wheel	1	\$63.65	
420	42616009003	Circlip	1	\$0.73	
430	33763060007	Shaft, toothed	1	\$59.11	
440	33657159006	Gear-wheel	1	\$56.51	
450	42443003043	Circlip M4	4	\$0.73	
460	43035009044	Cylinder head screw M4X20	2	\$0.73	

Type: KBM 32 Q (60Hz, 120V)
Part no.: 72702709368



Item	Part no.	Designation	Quantity	Price (excl. VAT)¹	Status
470	43035096049	Cylinder head screw	2	\$0.99	
480	30240240007	Pressure piece	1	\$17.34	
490	32170017007	Lever	1	\$27.76	
500	41138025006	Hose socket	1	\$8.80	
602	31602081001	Bush	1		
603	31602092003	Bush	1	\$5.21	
605	31207277020	Housing	1	\$587.14	
610	33216047000	Pressure piece	1	\$5.31	
620	33218117000	Guide strip	2	\$50.83	
630	43035076041	Cylinder head screw M4X16	6	\$0.73	
640	30904041001	Leaf spring	1	\$6.67	
650	43041026994	Fillister head screw	1	\$0.73	
660	43058008051	Set screw	3	\$2.97	
670	42443004057	Circlip M5	6	\$0.73	
680	33812007004	Gear rack	1	\$137.66	
690	43035017057	Cylinder head screw M5X20	2	\$0.73	
700	33218116006	Guide	1	\$102.76	
710	43013048041	Flat headed screw	2	\$1.30	
740	33713068008	Shaft	1	\$172.66	
750	33213008009	Scale	1	\$8.44	
760	32119114014	Handle	3	\$20.21	
770	42401019085	Disc	2	\$0.73	
780	30905055000	Cup spring	2	\$0.94	
790	42019006080	Nut	1	\$0.73	

Type: KBM 32 Q (60Hz, 120V)
Part no.: 72702709368



Item	Part no.	Designation	Quantity	Price (excl. VAT)¹	Status
800	33216046021	Magnetic foot	1	\$501.15	
810	43035021050	Cylinder head screw	4	\$0.89	
825	30707424010	Cable with plug	1		
830	31413007007	Cable grommet	1	\$2.40	
840	30723044003	Screw connection	1	\$29.32	
845	30610034008	Seal	1	\$1.72	
850	32422317010	Plate	1	\$15.81	
860	31408086007	Plate	1		
870	30723043005	Nut	1	\$2.97	
875	30719647010	Connecting cable	2		
880	30701281000	Switch	1	\$35.36	
885	31412063000	Terminal	2	\$3.79	
888	30701281010	Switch Umbausatz / repair kit	1	\$48.59	
890	30762245990	Electronics	1	\$312.34	
900	30719572019	Connecting cable	4	\$9.11	
910	30701242009	Switch	1	\$20.52	
911	32816059009	Cap	1	\$3.13	
920	42439013046	Lock washer	1	\$0.73	
930	42404005048	Disc	2		
940	40612024009	Sealing ring	1	\$2.40	
950	32429135010	Cover	1	\$83.13	
960	30723046019	Screw connection	1	\$39.74	
970	30723045007	Nut	1	\$2.45	
975	30234026008	Cable tie	2	\$1.04	

Type: KBM 32 Q (60Hz, 120V)
Part no.: 72702709368



Item	Part no.	Designation	Quantity	Price (excl. VAT) ¹	Status
980	43064023045	Fillister head screw	8	\$0.73	
1000	32217406002	Sticker	1	\$1.41	
5000	33901126020	Tool box ass.	1	\$131.61	
5010	30240247002	Bottle holder	1	\$28.91	
5020	32132022007	Pump	1	\$19.32	
5030	31414054008	Replacement hose	1	\$8.65	
5040	64201001000	Hook f. chip removal	1	\$87.14	
5050	32174008007	STRAP, SAFETY	1	\$37.66	
5060	63203050014	Key-type drill chucks	1	\$80.68	
5065	62914002005	Chuck key	1	\$3.59	
5070	63901020006	QuickIN-adaptor	1	\$37.24	
5080	30217332009	Centering pins	1	\$35.51	
5095	30217355000	Centering pins	1	\$42.95	
5100	43041008045	Fillister head screw	4	\$0.73	
5110	63901037010	Contact and swarf protection	1	\$181.41	
5130	63901021014	QuickIN-adaptor	1	\$37.24	
5140	63901024019	QuickIN-adaptor	1	\$37.24	
5150	30217337002	Centering pins	1	\$42.95	
5160	30217338000	Centering pins	1	\$31.65	
5210	30232050000	Wire clamp	2		
6000	32160003182	Lubricant tube 0,085 kg	1	\$41.46	
9000	34101011210	Operating instructions	1		

Prices valid from: 2018-02-05

¹ Recommended retail price excluded value added tax, plus perhaps transportation and packing charges.

Type: KBM 32 Q (60Hz, 120V)
Part no.: 72702709368



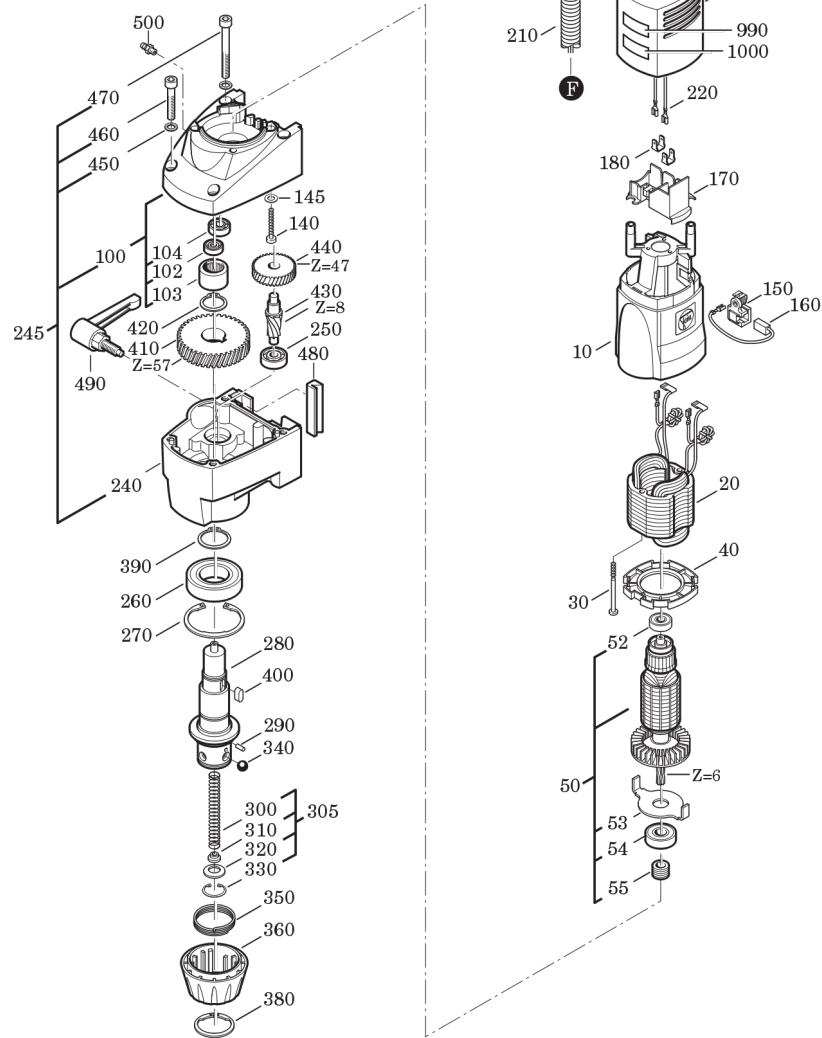
The prices valid on the day of delivery are decisive for the calculation. Subject to transmission errors and changes to technology, form and appearance.

* Only limited quantities or not available anymore. Please contact FEIN.

Type:
Part no.:

KBM 32 Q (60Hz, 120V)
72702709368

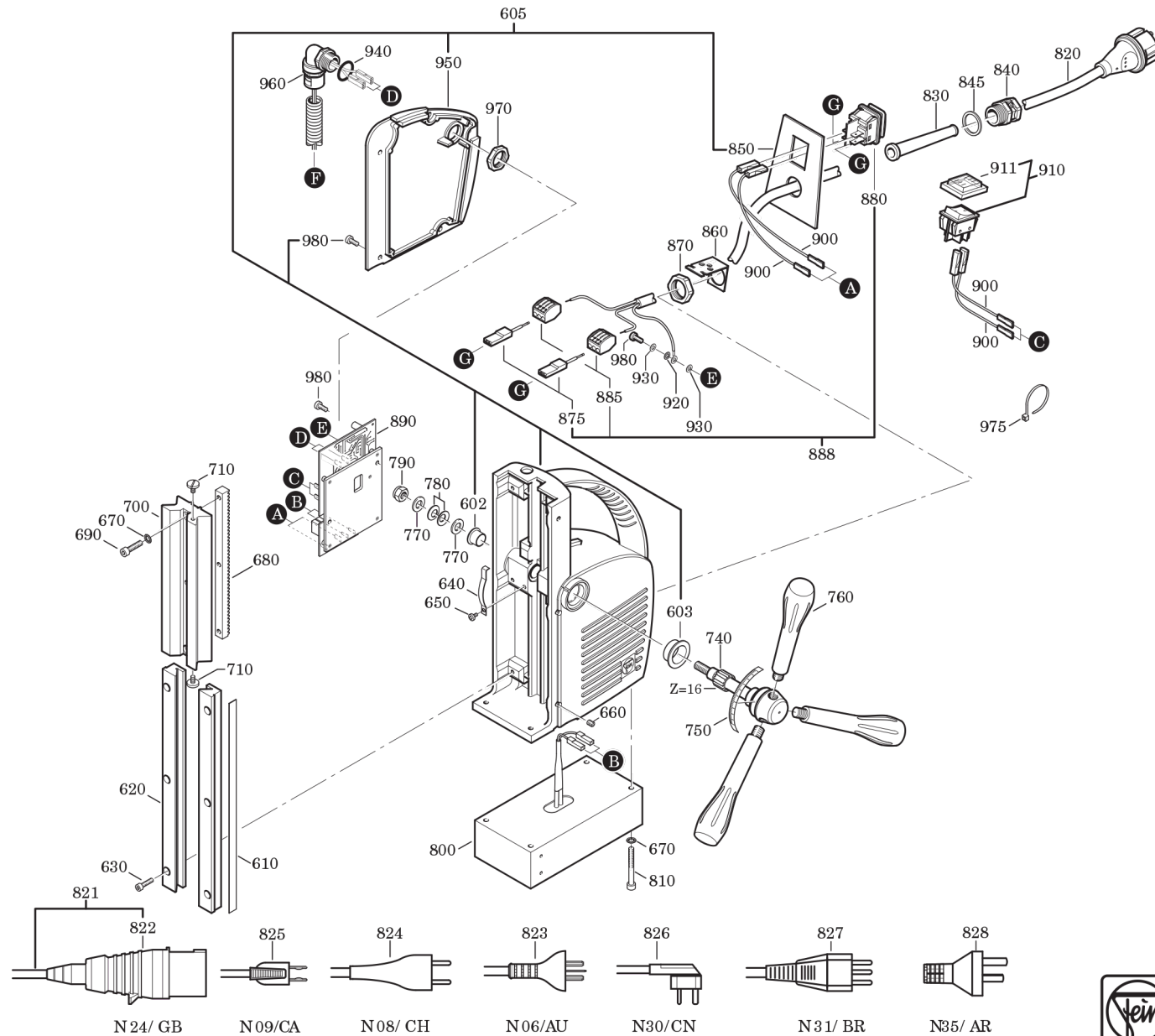
7 270 27 - KBM32 Q



Type:
Part no.:

KBM 32 Q (60Hz, 120V)
72702709368

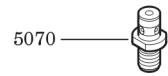
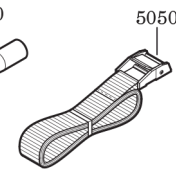
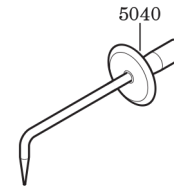
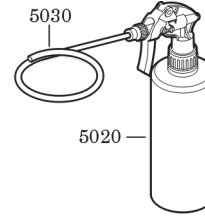
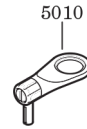
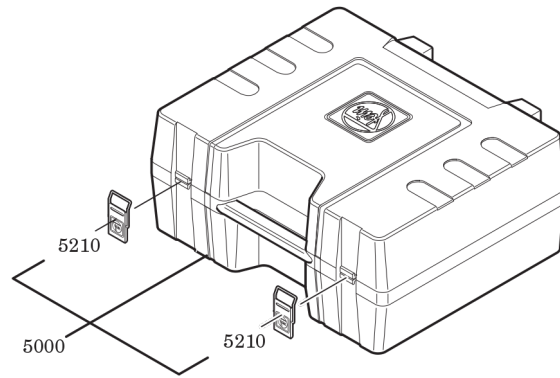
7 270 27 - KBM32 Q



Type:
Part no.:

KBM 32 Q (60Hz, 120V)
72702709368

7 270 27 - KBM32 Q



M18x6P1,5

