

Type: FMT 250 QSL (60Hz, 120V)
Part no.: 72295309360



Item	Part no.	Designation	Quantity	Price (excl. VAT)¹	Status
10	31901177000	Motor housing	1		
20	32816066000	Control rod	1	\$7.92	
30	32805226000	Slide switch	1	\$2.81	
40	51278002110	Stator	1	\$88.02	
50	43074005000	Screw 35X45	2	\$0.78	
60	31428161000	Air guide ring	1	\$3.85	
70	30712087015	Brush holder	2	\$5.16	
75	30717193000	Connector	2	\$0.73	
80	30711129009	Carbon brush	2	\$6.77	
90	32803019010	Contact spring	1	\$7.79	
110	30762412990	Electronics 100-230V,50/60Hz	1	\$69.58	
120	30719642010	Connecting cable	1	\$1.46	
130	32431045000	Cable clamping piece	1	\$0.99	
140	30719641010	Connecting cable	1	\$1.46	
150	32427127000	Cover	1	\$7.68	
155	31415099000	Pressure piece	1	\$0.63	
160	43074003000	Screw 40X8	1	\$0.73	
170	43074002000	Screw 35X20	5	\$0.63	
180	30707345019	Cable with plug	1	\$20.26	
190	31413229000	Cable grommet	1	\$2.24	
210	30719644010	Connecting cable	1	\$1.46	
220	30719643010	Connecting cable	1	\$1.46	
250	53278001110	Armature	1	\$114.01	
260	41701001032	Grooved ball bearing	1	\$9.27	

Type: FMT 250 QSL (60Hz, 120V)
Part no.: 72295309360



Item	Part no.	Designation	Quantity	Price (excl. VAT)¹	Status
270	41701007038	Grooved ball bearing	1	\$10.16	
280	30508043010	Bush Set	1	\$12.08	
290	40612167000	Sealing ring	1	\$0.89	
300	41701000008	Grooved ball bearing	1	\$7.45	
310	42616046003	Circlip	1	\$0.73	
405	31508294030	Tool head	1	\$127.97	
430	34300000011	Lever	1		
480	33218150000	Eccentric ring	1		
490	40242064000	Straight pin	1	\$1.30	
495	30507220000	Bush	2	\$2.60	
510	30907067000	Locking spring	1	\$1.98	
520	43064023045	Fillister head screw	1	\$0.73	
530	43074004000	Screw 35X30	4	\$0.73	
5000	33901144010	Carrying case unfilled	1	\$36.67	
5010	33218151000	Extractor hood	1		
5020	30601106007	Felt ring	2	\$2.50	
5030	30605112000	Adapter	1		
5040	33218123000	Pipe	1		
5050	30232049000	Holder	1		
5400	30605110008	Adapter hose	1		
5410	30605109006	Adapter hose	1		
5420	30517029001	Hose sleeve	1		
5430	30517028007	Hose sleeve	1		
5450	63806136220	Sanding pad	1	\$27.97	

Type: FMT 250 QSL (60Hz, 120V)
Part no.: 72295309360



Item	Part no.	Designation	Quantity	Price (excl. VAT) ¹	Status
5500	92602092000	Dust extraction set	1	\$83.54	
6000	32160003014	Lubricant tube 0,085 kg	1	\$17.24	
9000	34101240210	Operating instructions	1		

Prices valid from: 2018-02-05

¹ Recommended retail price excluded value added tax, plus perhaps transportation and packing charges.

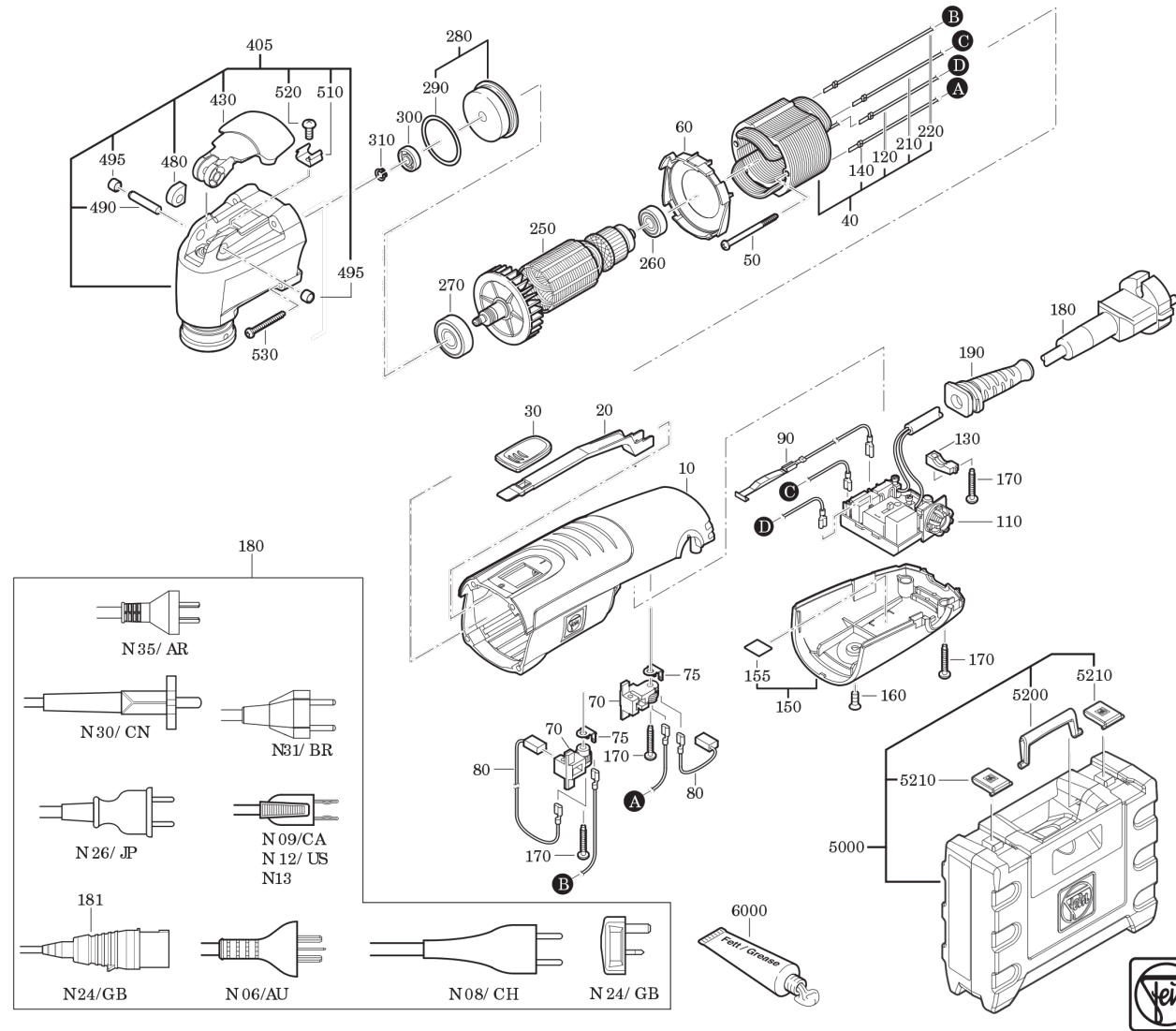
The prices valid on the day of delivery are decisive for the calculation. Subject to transmission errors and changes to technology, form and appearance.

* Only limited quantities or not available anymore. Please contact FEIN.

Type:
Part no.:

FMT 250 QSL (60Hz, 120V)
72295309360

7 229 53 - FMT 250 QSL



Type:
Part no.:

FMT 250 QSL (60Hz, 120V)
72295309360

7 229 53 - FMT 250 QSL

